



US00D820637S

(12) **United States Design Patent** (10) **Patent No.:** **US D820,637 S**
Davis (45) **Date of Patent:** **** Jun. 19, 2018**

(54) **LID FOR A BEVERAGE CONTAINER**

(71) Applicant: **Ignite USA, LLC**, Chicago, IL (US)

(72) Inventor: **Chad Davis**, Oak Park, IL (US)

(73) Assignee: **Ignite USA, LLC**, Chicago, IL (US)

(**) Term: **15 Years**

(21) Appl. No.: **29/588,395**

(22) Filed: **Dec. 20, 2016**

(51) **LOC (11) Cl.** **07-01**

(52) **U.S. Cl.**
USPC **D7/392.1**

(58) **Field of Classification Search**

USPC D7/391, 392, 392.1, 396.1, 396.2, 397,
D7/509, 510, 543, 629; D9/435, 443,
D9/447, 449, 516

CPC B65D 2543/0092; B65D 47/122; B65D
47/066

See application file for complete search history.

(56) **References Cited**

U.S. PATENT DOCUMENTS

| | | | | | |
|--------------|------|---------|------------|-------|---------------------------|
| 5,873,478 | A * | 2/1999 | Sullivan | | A47G 19/2266 215/389 |
| D649,879 | S * | 12/2011 | Gullickson | | D9/443 |
| D652,256 | S * | 1/2012 | Eyal | | D7/510 |
| D685,606 | S * | 7/2013 | Keys | | D7/392.1 |
| D688,093 | S * | 8/2013 | Roth | | D7/392.1 |
| D700,014 | S * | 2/2014 | Zeanah | | D7/510 |
| D704,986 | S * | 5/2014 | Manies | | D7/392 |
| D729,569 | S * | 5/2015 | Herbst | | D7/392 |
| D745,827 | S * | 12/2015 | Sorensen | | D7/392.1 |
| D747,136 | S * | 1/2016 | Lane | | D7/396.2 |
| D750,428 | S * | 3/2016 | Keys | | D7/396.2 |
| 2010/0170902 | A1 * | 7/2010 | Britto | | A47G 19/2266 220/367.1 |
| 2010/0193462 | A1 * | 8/2010 | Roth | | A47G 19/2288 215/229 |

OTHER PUBLICATIONS

“AVEX Freestyle Kids Autospout Water Bottle”. Found online Oct. 24, 2017 at amazon.com. Page dated Jul. 15, 2014. Retrieved from https://www.amazon.com/Freestyle-Autospout-Bottle-Orange-Superhero/dp/B00X0YTDCO/ref=sr_1_4?ie=UTF8&qid=1508879300&sr=8-4&keywords=avex. (Year: 2014).*

“Contigo Autospout Addison Water Bottle”. Found online Aug. 26, 2017 at amazon.com. Page dated Jan. 2, 2012. Retrieved from http://www.amazon.com/Contigo-Autospout-Addison-24-Ounce-Watermelon/dp/B00C5G3PCC/ref=cm_cr_pr_product_top?ie=UTF8. (Year: 2012).*

“Salute Tritan Bottle—Flip Straw”. Found online Oct. 27, 2016 at waterbottles.com. Page dated Oct. 10, 2014. Retrieved from <http://web.archive.org/web/20141010061310/http://waterbottles.com/salute-24-oz-tritan-bottle-flip-straw-lid>. (Year: 2014).*

“Translucent Plastic Water Bottles with Flip-Top Lids”. Found online Jun. 7, 2017 at amazon.com. Page dated Feb. 18, 2015. Retrieved from <https://www.amazon.com/Translucent-Plastic-Water-Bottles-Flip-Top/dp/B00TR25MQO>. (Year: 2015).*

* cited by examiner

Primary Examiner — George D. Kirschbaum
Assistant Examiner — Kendra Leslie Hamilton

(57) **CLAIM**

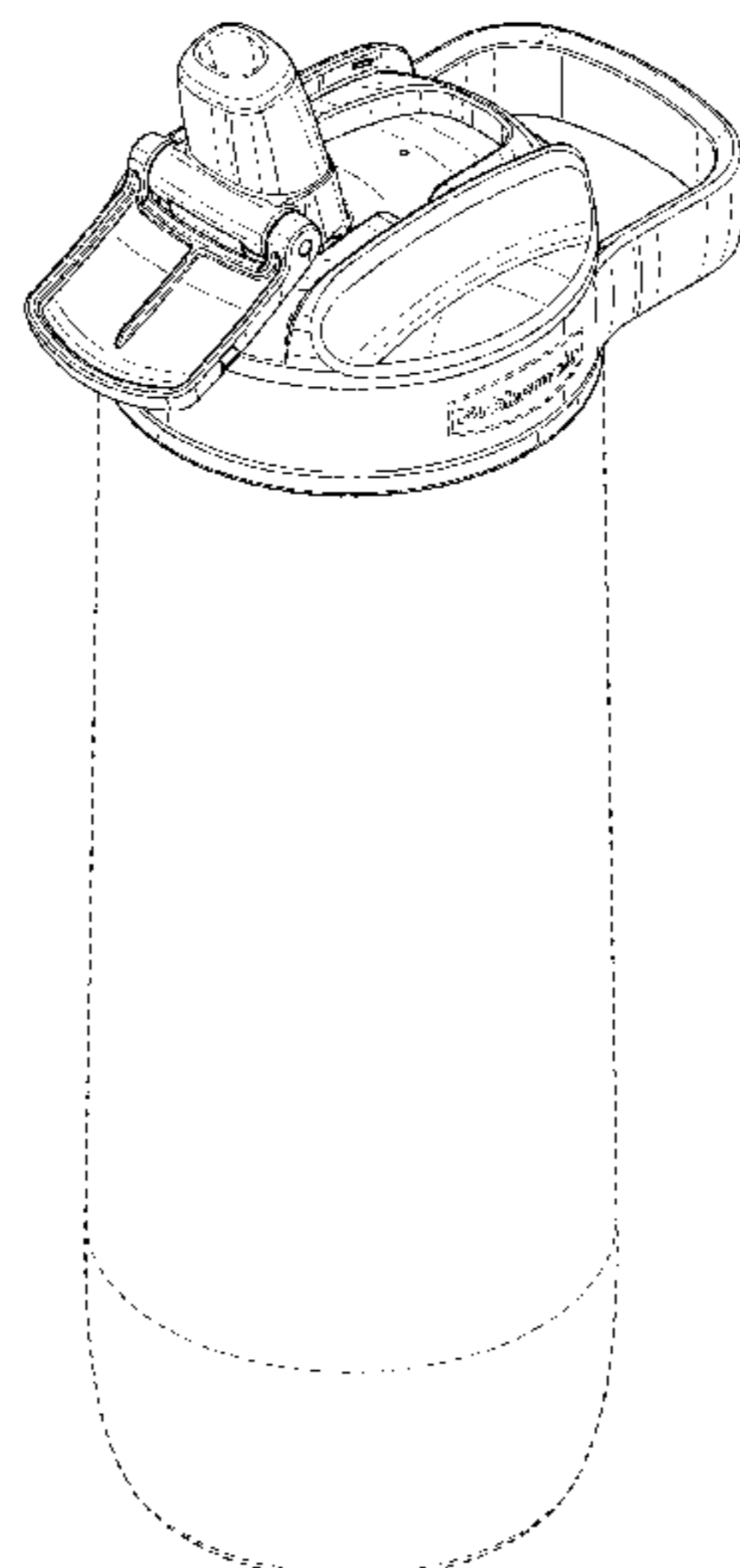
The ornamental design for a lid for a beverage container, as shown and described.

DESCRIPTION

FIG. 1 is a top front right perspective view of a lid for a beverage container showing my new design;
FIG. 2 is a front view thereof;
FIG. 3 is a rear view thereof;
FIG. 4 is a left view thereof;
FIG. 5 is a right view thereof;
FIG. 6 is a top view thereof; and,
FIG. 7 is a bottom view thereof.

The broken lines in the drawing depict portions of the lid for a beverage container that form no part of the claimed design.

1 Claim, 7 Drawing Sheets



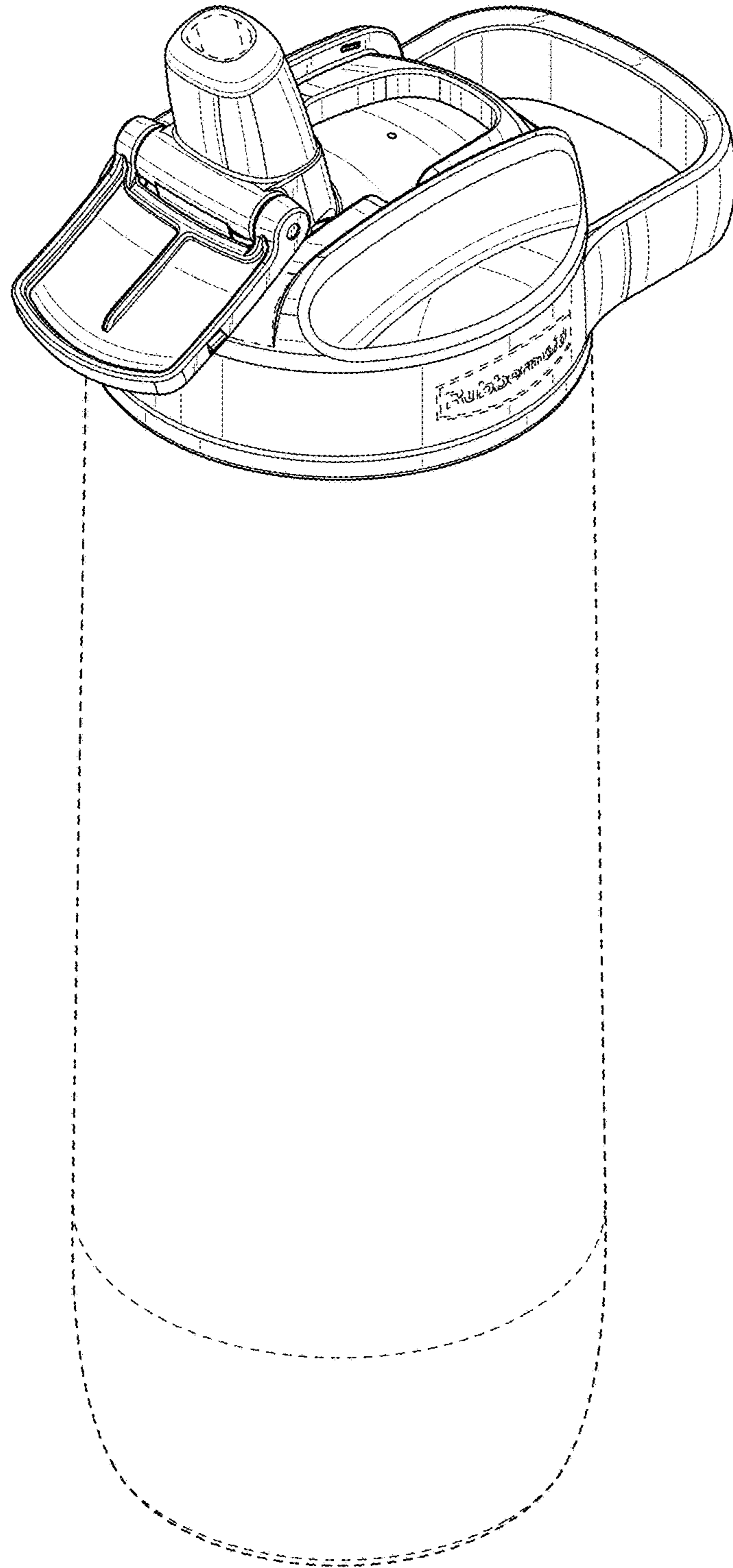


FIG. 1

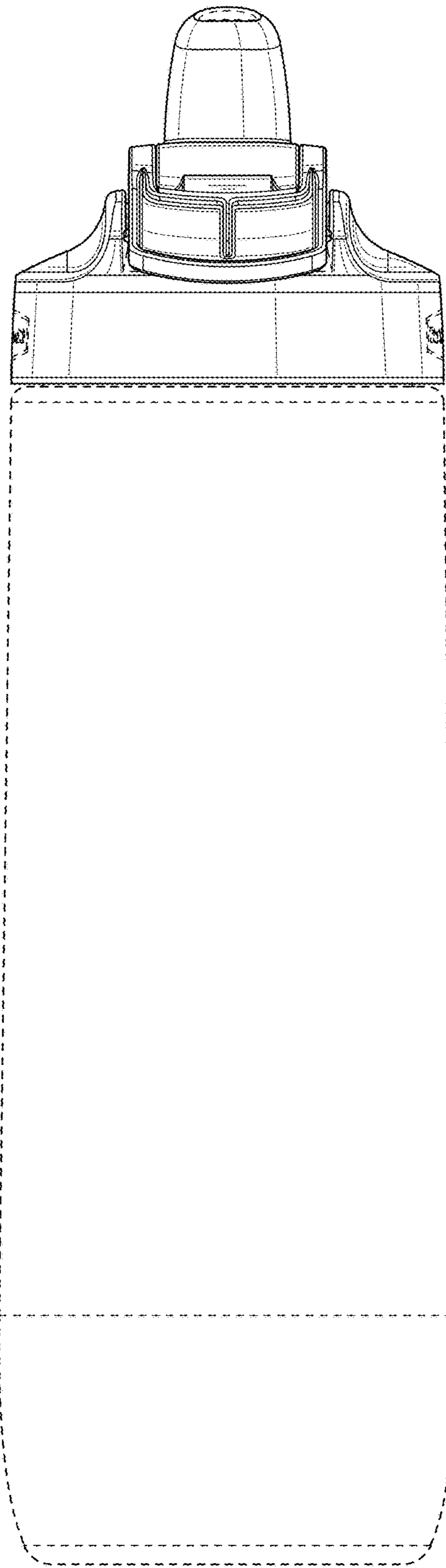


FIG. 2

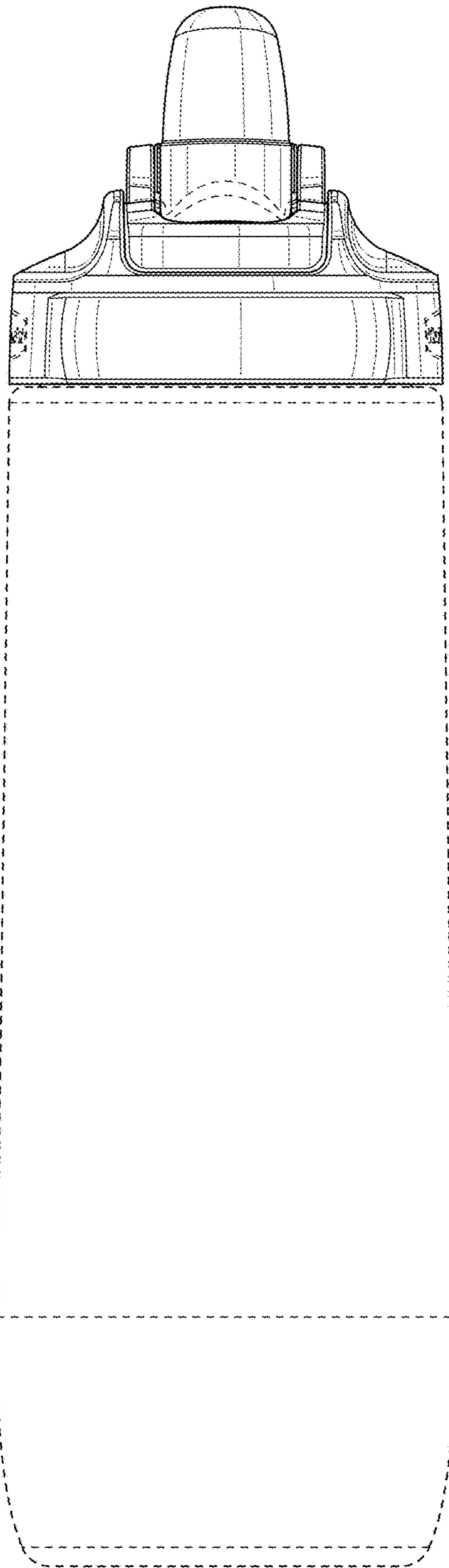


FIG. 3

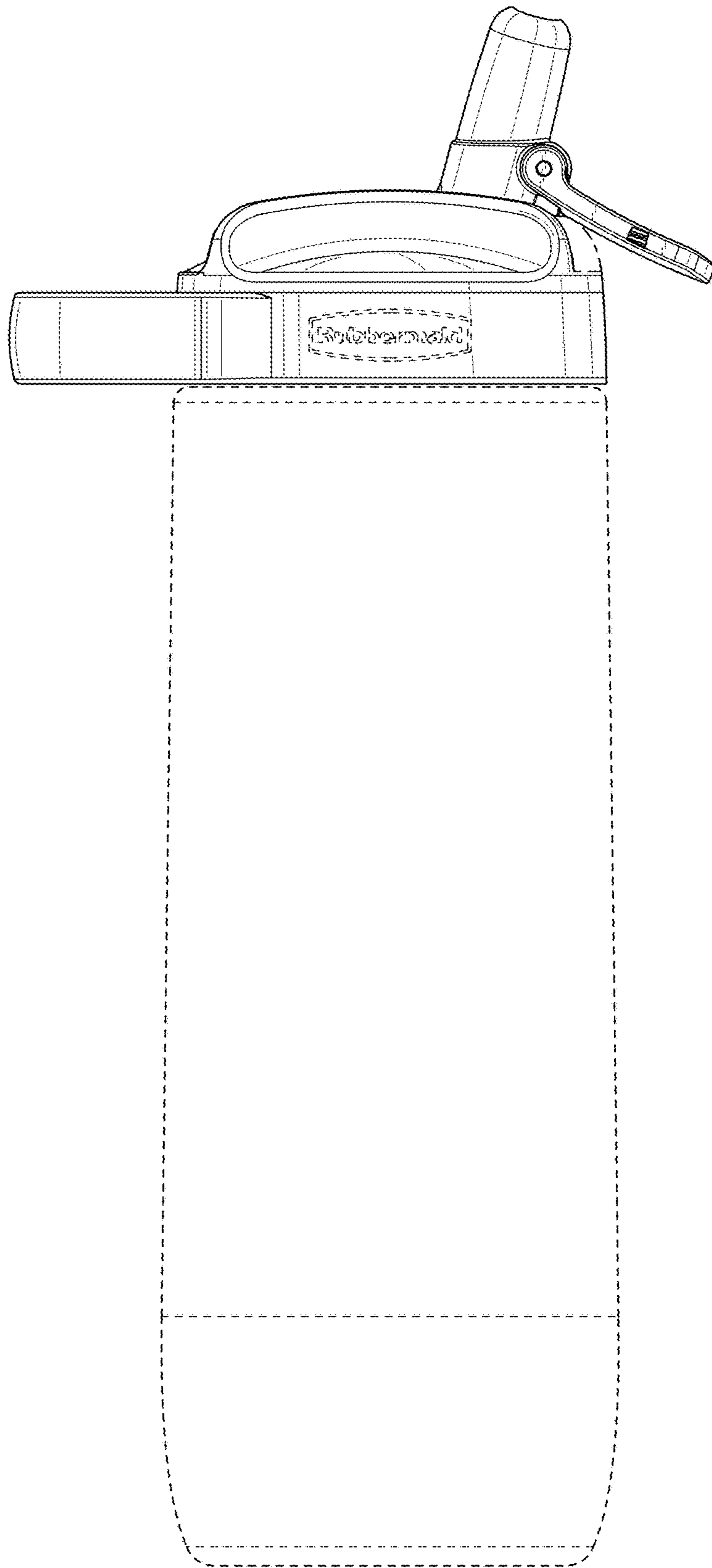


FIG. 4

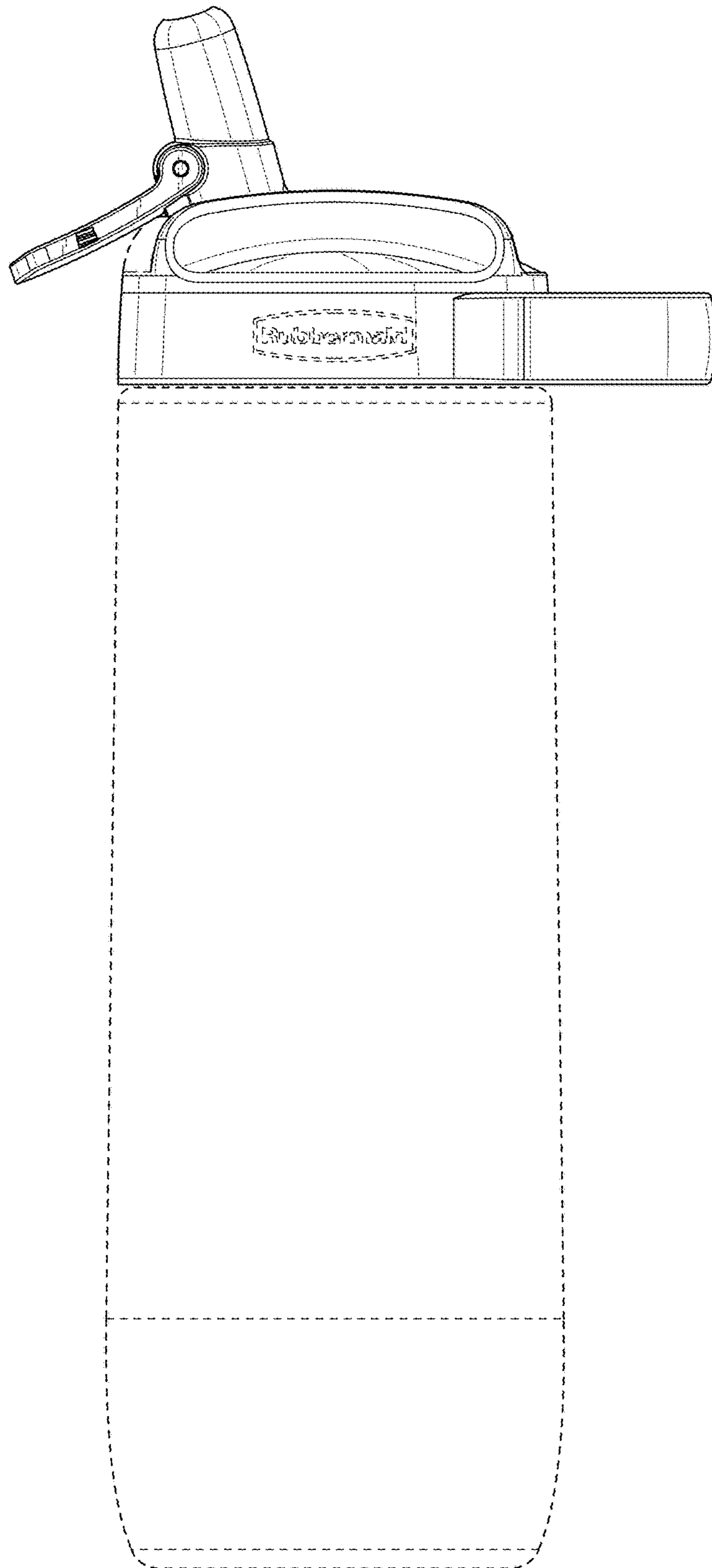


FIG. 5

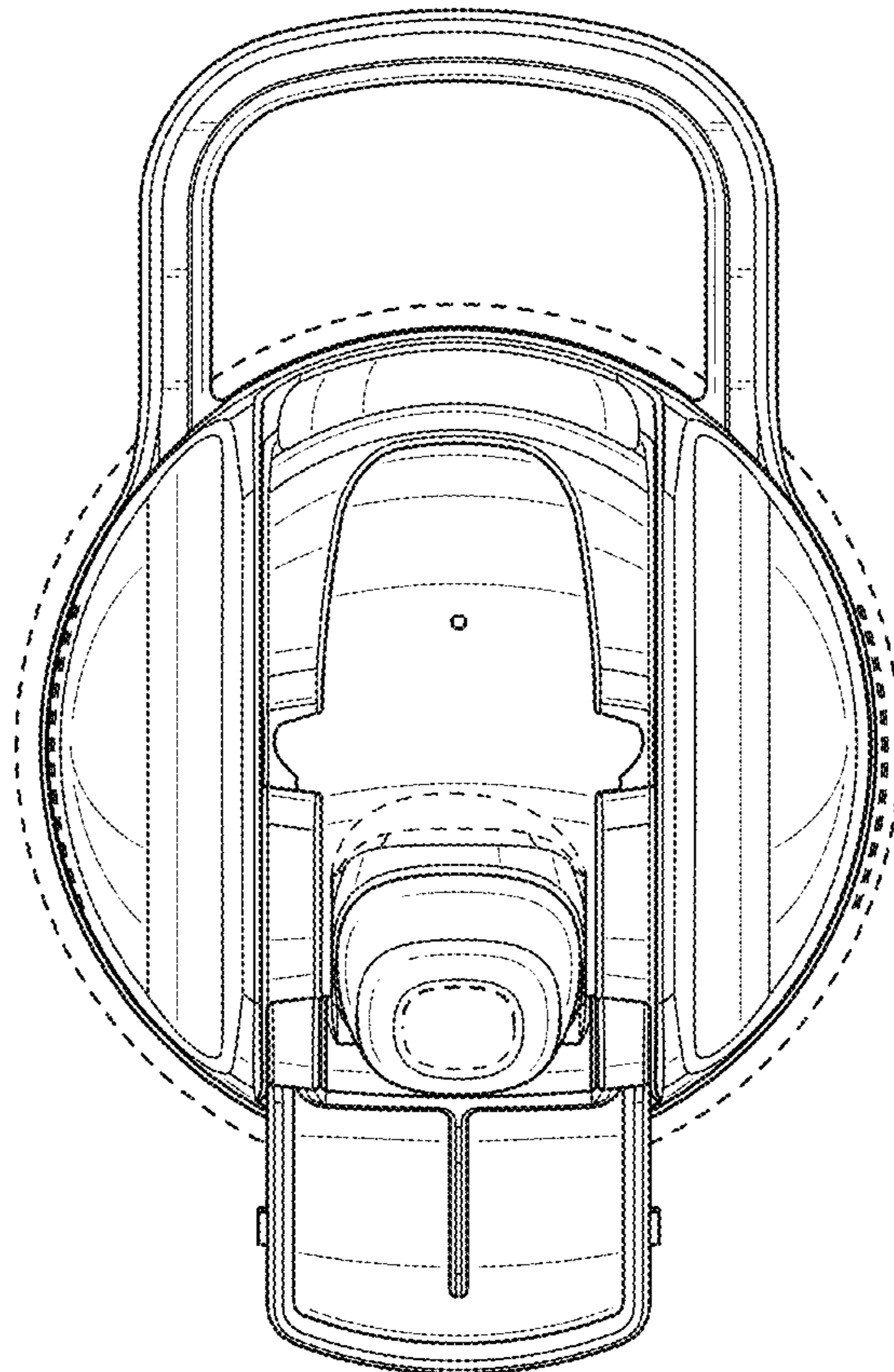


FIG. 6

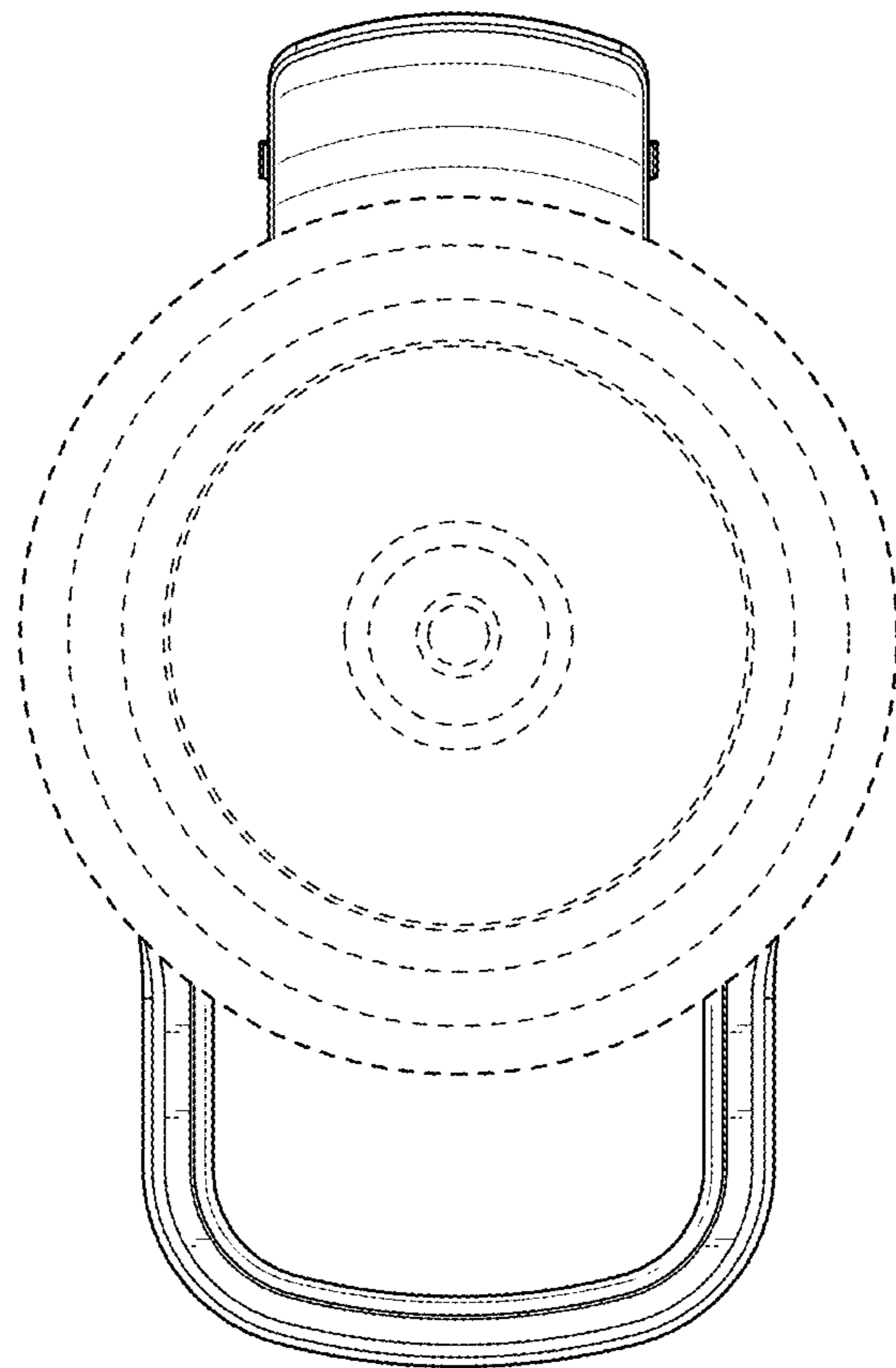


FIG. 7