



US00D820636S

(12) **United States Design Patent** (10) **Patent No.:** **US D820,636 S**
Zhang (45) **Date of Patent:** **** Jun. 19, 2018**

(54) **SQUARE LID FOR FOOD CONTAINER WITH REMOVABLE LOCKING TABS**

(71) Applicant: **Jianzhong Zhang**, Handan (CN)

(72) Inventor: **Jianzhong Zhang**, Handan (CN)

(**) Term: **15 Years**

(21) Appl. No.: **29/583,213**

(22) Filed: **Nov. 3, 2016**

(51) **LOC (11) Cl.** **07-01**

(52) **U.S. Cl.**
USPC **D7/392.1**

(58) **Field of Classification Search**
USPC D7/354, 360, 391, 392, 392.1, 396.1,
D7/511, 538, 542, 602, 629, 705;
D9/424, 430, 435, 443, 452, 454
CPC B65D 2543/00712; B65D 45/16
See application file for complete search history.

(56) **References Cited**

U.S. PATENT DOCUMENTS

6,415,947	B1 *	7/2002	Kim	B29C 45/0025
					220/326
D481,910	S *	11/2003	Kim	D7/629
6,793,096	B1 *	9/2004	Seok	B65D 43/0218
					220/326
D499,931	S *	12/2004	Kim	D7/392.1
D516,376	S *	3/2006	Kim	D7/392.1
D528,357	S *	9/2006	Hsu	D7/392.1
D613,111	S *	4/2010	Furlong	D7/392.1
D676,274	S *	2/2013	Tong	D7/391
D682,609	S *	5/2013	Lindsay	D7/392.1
8,596,485	B2 *	12/2013	Lindsay	B65D 43/0218
					220/326
2005/0035125	A1 *	2/2005	Bae	B65D 43/0218
					220/326
2009/0218360	A1 *	9/2009	Suk	B65D 43/0212
					220/784
2014/0217101	A1 *	8/2014	Wang	B65D 45/00
					220/324

OTHER PUBLICATIONS

“VonShef 12-Piece Glass Container Food Storage Set”. Found online Jul. 3, 2017 at amazon.com. Page dated Aug. 21, 2015. Retrieved from https://www.amazon.com/VonShef-12-Piece-Glass-Container-Storage/dp/B0148SQCSS/ref=sr_1_1?ie=UTF8&qid=1499099366&sr=8-1&keywords=vonshef+lock.*
“Sistema Microwave Cookware Steamer”. Found online Jun. 30, 2017 at amazon.com. Page dated Oct. 29, 2011. Retrieved from https://www.amazon.com/...=UTF8&pd_rd_i=B005D6XZ4O&pd_rd_r=J4VHWNBC7QX7Z56S4RGJ&pd_rd_w=wwcPU&pd_rd_wg=oPEFz&psc=1&refRID=J4VHWNBC7QX7Z56S4RGJ.*

(Continued)

Primary Examiner — George D Kirschbaum
Assistant Examiner — Kendra Leslie Hamilton
(74) *Attorney, Agent, or Firm* — Wayne & Ken, LLC;
Tony Hom

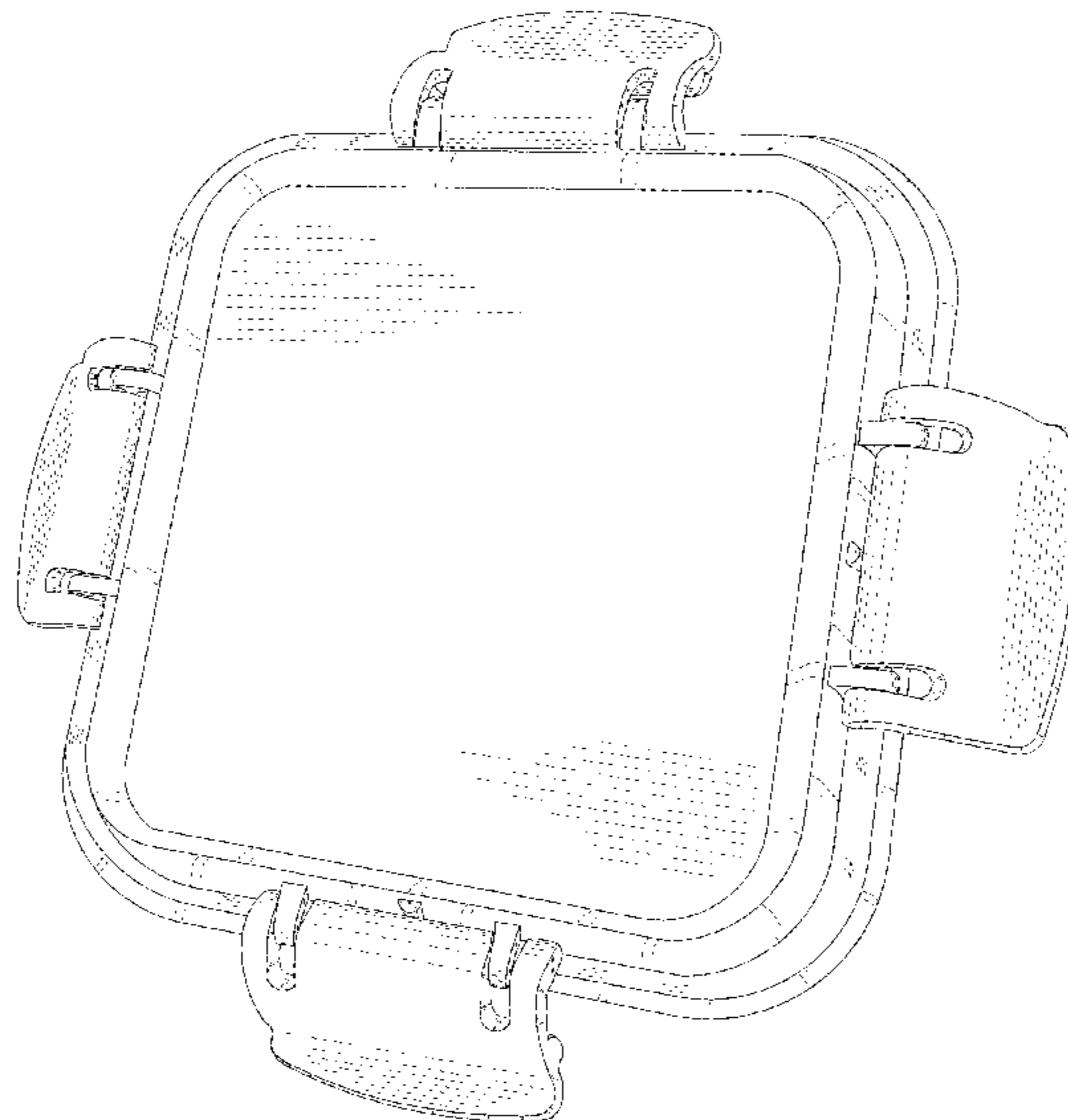
(57) **CLAIM**

The ornamental design for a square lid for food container with removable locking tabs, as shown and described.

DESCRIPTION

FIG. 1 is a front view of a square lid for food container with removable locking tabs showing my new design;
FIG. 2 is a back view thereof;
FIG. 3 is a top view thereof;
FIG. 4 is a bottom view thereof;
FIG. 5 is a right view thereof;
FIG. 6 is a left view thereof; and,
FIG. 7 is a top front perspective view thereof.
The features shown in broken lines in the various figures are shown for illustrating environmental structure and forming no part of the claimed design.

1 Claim, 7 Drawing Sheets



(56)

References Cited

OTHER PUBLICATIONS

“OXO Good Grips 3 cup SNAP Leakproof Food Storage Container”. Found online Jul. 3, 2017 at amazon.com. Page dated Dec. 15, 2015. Retrieved from https://www.amazon.com/OXO-Grips-Leakproof-Storage-Container/dp/B019F06Y96/ref=sr_1_143?ie=UTF8&qid=1499098867&sr=8-143&keywords=oxo.*

“Lock & Lock Ovenglass Square Food Storage Container ”. Found online Jun. 26, 2016 at amazon.com. Page dated Jun. 7, 2011. Retrieved from https://www.amazon.com/...nglass-Airtight-Resistant-Container-25-36-oz/dp/B0054PFBZ0/ref=sr_1_178?s=kitchen&ie=UTF8&qid=1498512805&sr=1-178&keywords=locking+lid+container.*

* cited by examiner

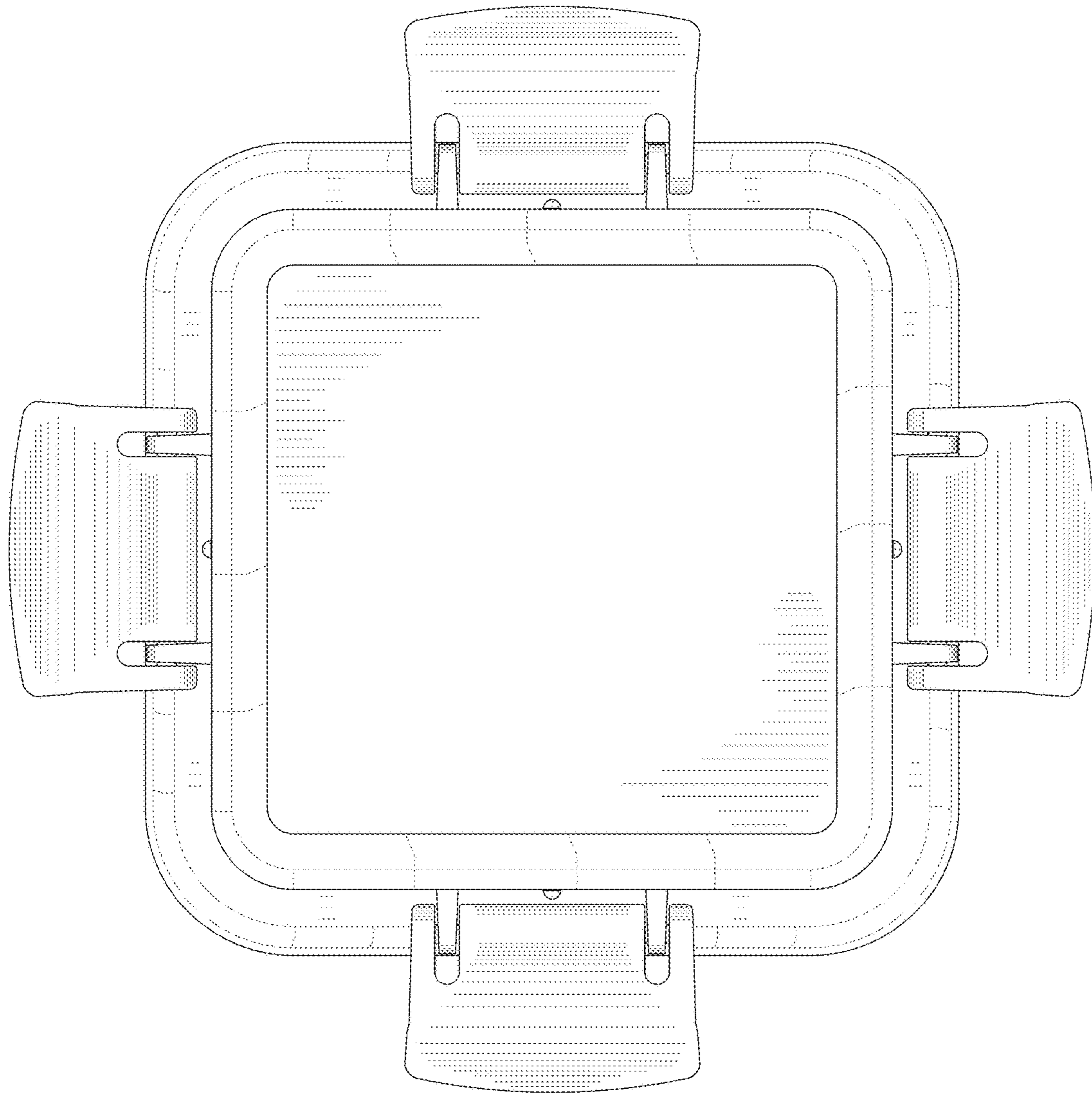


FIG. 1

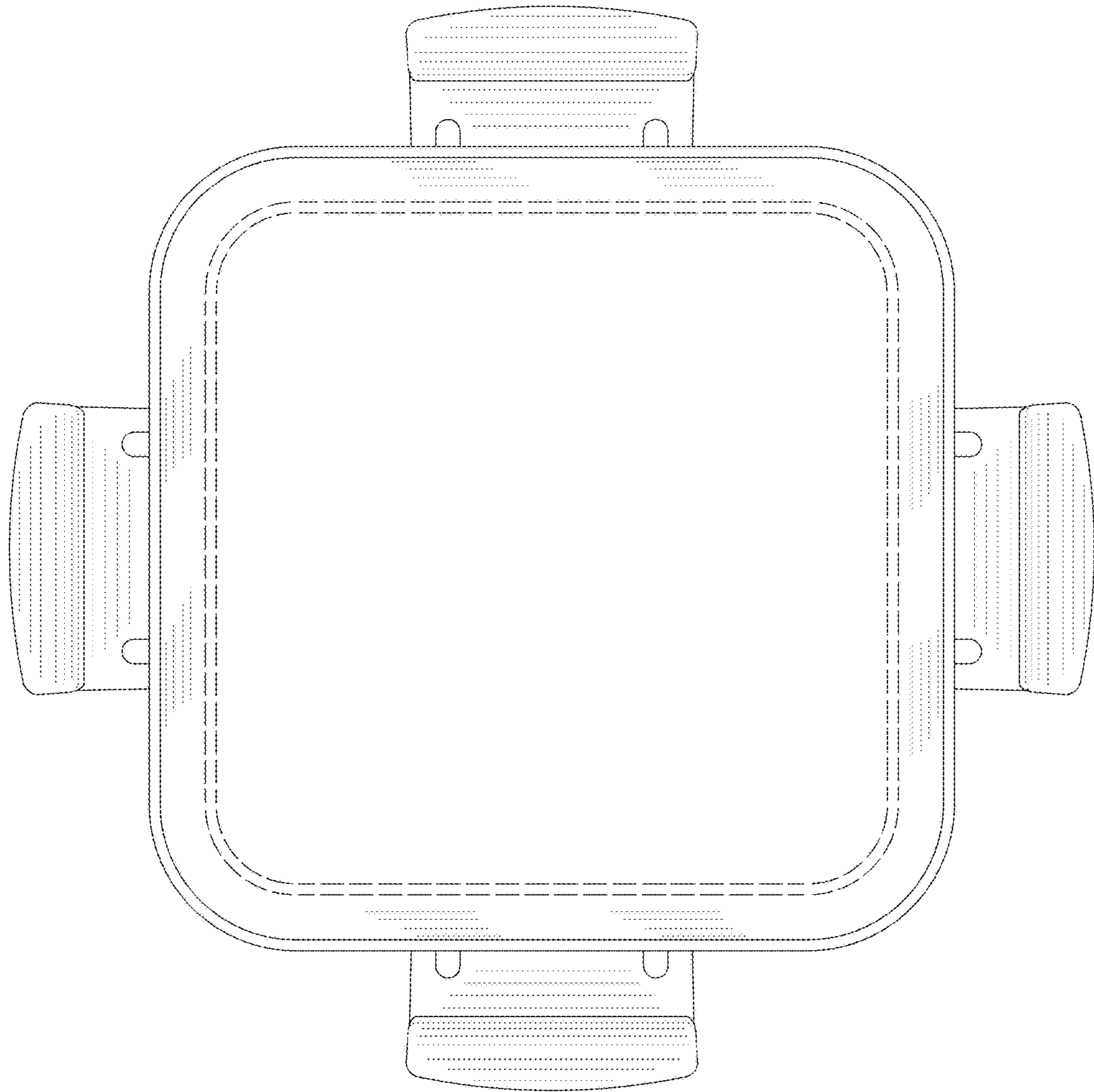


FIG. 2

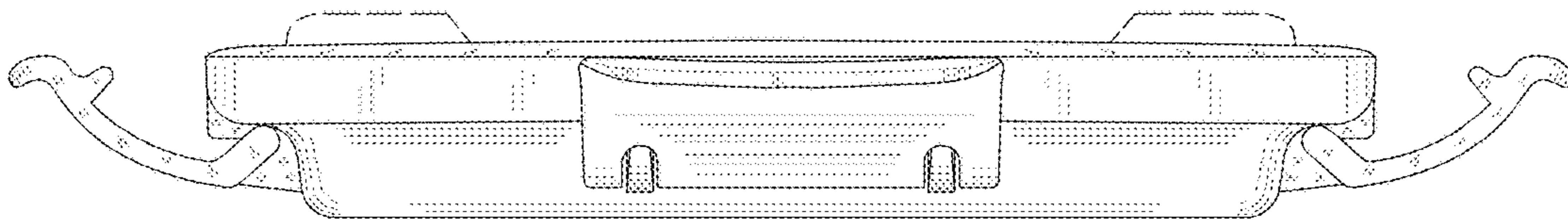


FIG. 3

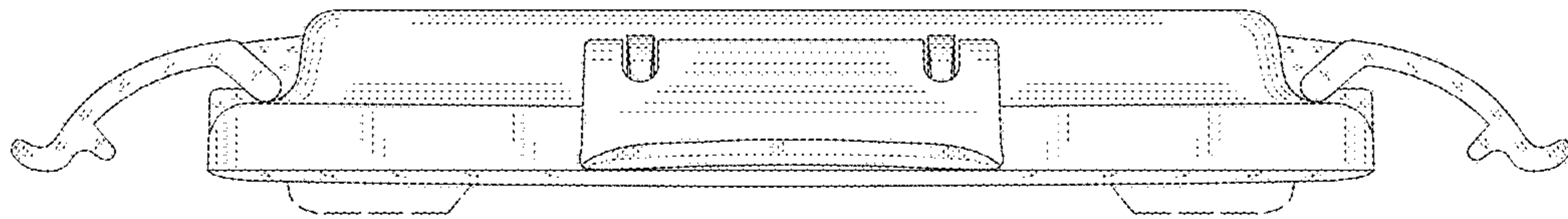


FIG. 4

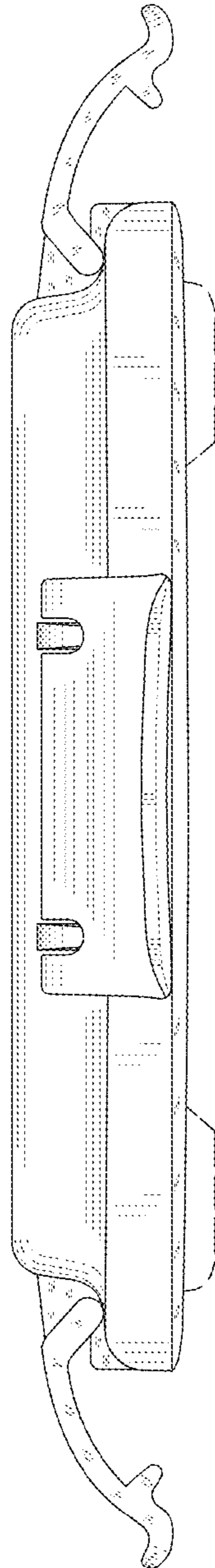


FIG. 5

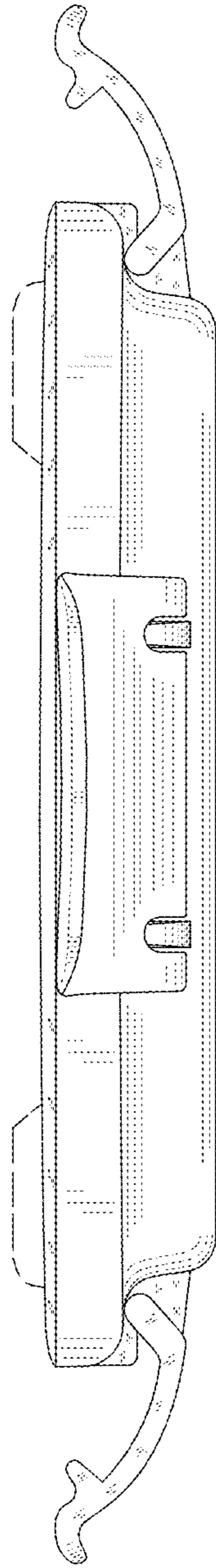


FIG. 6

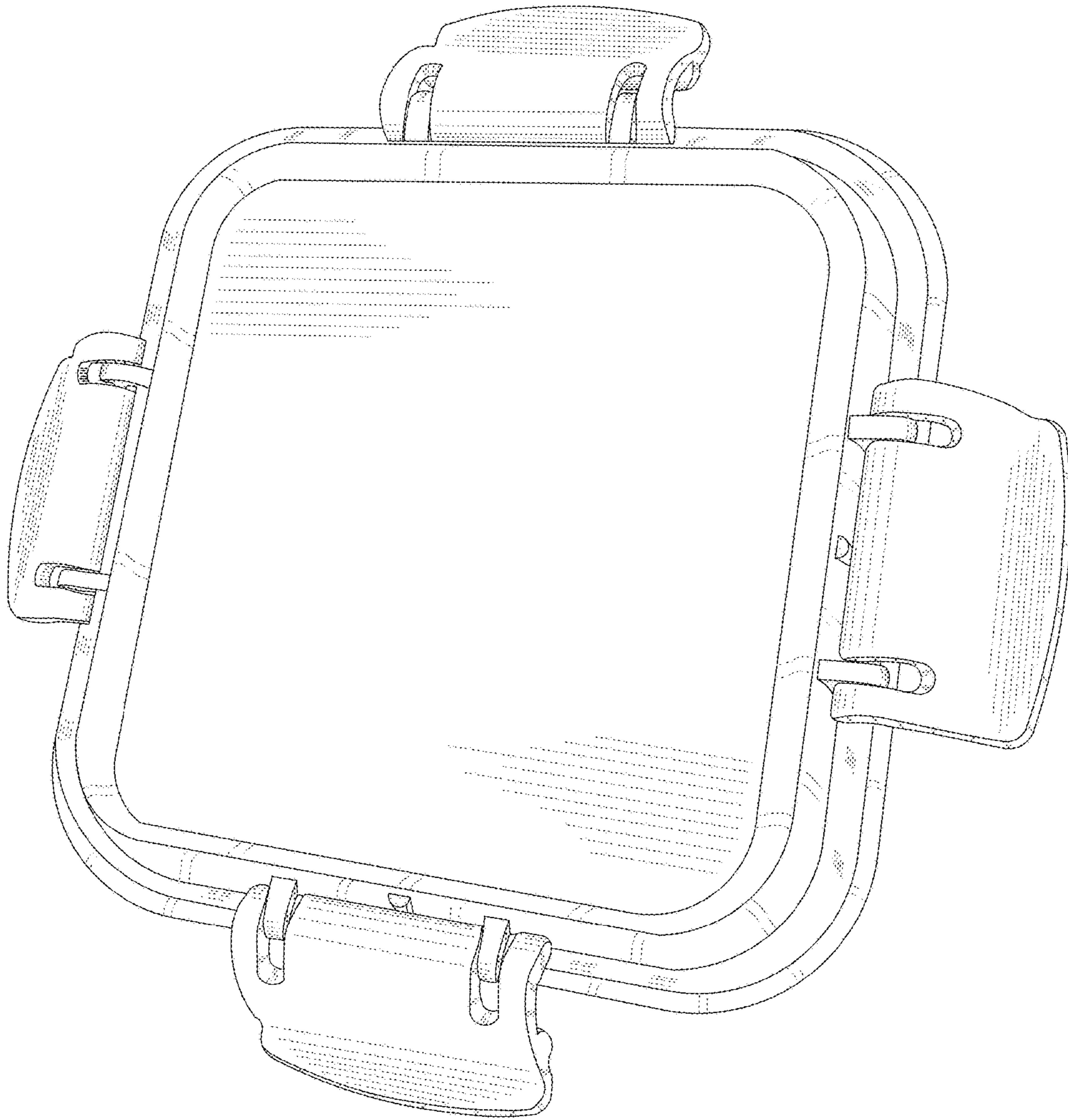


FIG. 7