



US00D820635S

(12) **United States Design Patent**
Hammer

(10) **Patent No.:** **US D820,635 S**
(45) **Date of Patent:** **** Jun. 19, 2018**

(54) **LID FOR BEVERAGE CONTAINER**

- (71) Applicant: **IGNITE USA, LLC**, Chicago, IL (US)
- (72) Inventor: **Allison Michelle Hammer**, Chicago, IL (US)
- (73) Assignee: **IGNITE USA, LLC**, Chicago, IL (US)
- (**) Term: **15 Years**
- (21) Appl. No.: **29/582,697**
- (22) Filed: **Oct. 28, 2016**
- (51) **LOC (11) Cl.** **07-01**
- (52) **U.S. Cl.**
USPC **D7/392.1**
- (58) **Field of Classification Search**
USPC D7/391, 392, 392.1, 396.1, 396.2, 397,
D7/509, 510, 543, 629; D9/435, 443,
D9/447, 449, 516
CPC B65D 2543/0092; B65D 47/122; B65D
47/2037
See application file for complete search history.

(56) **References Cited**

U.S. PATENT DOCUMENTS

3,307,752	A *	3/1967	Anderson	B65D 23/108 215/306
D461,361	S *	8/2002	Orr	D7/392.1
D609,964	S *	2/2010	Lane	D7/392.1
D658,445	S *	5/2012	Carreno	D7/510
D661,945	S *	6/2012	Eyal	D7/392.1
D686,448	S *	7/2013	Boroski	D7/392.1
D696,900	S *	1/2014	George	D7/392.1
D741,637	S *	10/2015	Palermo	D7/300.1
D775,893	S *	1/2017	Buckley	D7/510
D778,118	S *	2/2017	Du	D7/608
2010/0224631	A1 *	9/2010	Roth	B65D 45/025 220/288
2015/0173539	A1 *	6/2015	Mason	A47G 19/2272 220/707
2015/0225141	A1 *	8/2015	Mackenzie	B65D 47/0871 215/237

OTHER PUBLICATIONS

“Takeya ThermoFlask 2 Pack”. Found online Jun. 9, 2017 at amazon.com. Page dated Apr. 15, 2016. Retrieved from https://www.amazon.com/Takeya-ThermoFlask-Pack-Black-silver/dp/B01D7NIOWW/ref=cm_cr_arp_d_product_top?ie=UTF8.*

(Continued)

Primary Examiner — Robert M. Spear

Assistant Examiner — Kendra Leslie Hamilton

(74) *Attorney, Agent, or Firm* — Marshall, Gerstein & Borun LLP

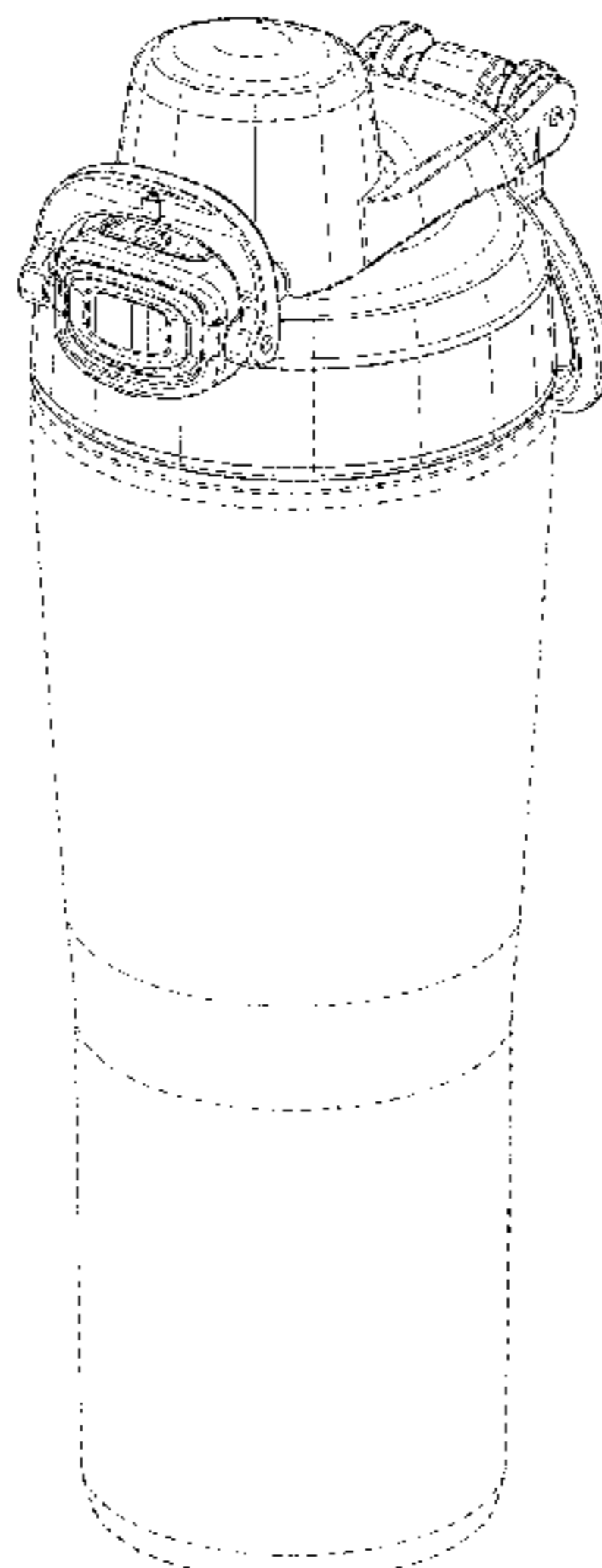
(57) **CLAIM**

The ornamental design for a lid for beverage container, as shown and described.

DESCRIPTION

FIG. 1 is a top front left perspective view of a lid for beverage container, showing my new design;
 FIG. 2 is a front view of the lid for beverage container shown in FIG. 1;
 FIG. 3 is a rear view of the beverage container shown in FIG. 1;
 FIG. 4 is a left view of the lid for beverage container shown in FIG. 1;
 FIG. 5 is a right view of the lid for beverage container shown in FIG. 1;
 FIG. 6 is a top view of the lid for beverage container shown in FIG. 1; and,
 FIG. 7 is a bottom view of the lid for beverage container shown in FIG. 1.
 The broken lines in the drawings depict environmental subject matter and form no part of the claimed design.

1 Claim, 6 Drawing Sheets



(56)

References Cited

OTHER PUBLICATIONS

“h2go Surge Aluminum Sport Bottle”. Found online May 24, 2017 at 4imprint.com. Page dated Oct. 2012. Retrieved from <https://www.4imprint.com/product/115226-M/h2go-Surge-Aluminum-Sport-Bottle-28-oz-Matte>.*

“Rubbermaid Shaker Bottle”. Found online Oct. 26, 2016 at amazon.com. Page dated May 30, 2014. Retrieved from <https://www.amazon.com/Rubbermaid-Shaker-Bottle-28-Ounce-Black/dp/B00J2QLC9G>.*

“Thermos Intak Hydration Bottle”. Found online Sep. 8, 2015 at amazon.co.uk. Page dated Apr. 11, 2010. Retrieved from https://www.amazon.co.uk/d/Hydration/Thermos-Intak-Hydration-Bottle-710-Midnight-Blue/B005DDVY72/ref=sr_1_4?ie=UTF8&qid=1498580747&sr=8-4.*

Flo Duo Double Wall Insulated Water Bottle—24 oz., downloaded from the Internet at: <http://www.bubbabrands.com/water-bottles/flo-duo-double-wall-insulated-water-bottle---24oz/31.html> (applicant admitted prior art).

Capri Water Bottle with Silicone Sleeve—28 oz., downloaded from the Internet at: http://www.bubbabrands.com/water-bottles/capri-water-bottle-with-silicone-sleeve---28-oz/106.html?dwvar_106_color=Blue#q=capri&start=2 (applicant admitted prior art).

* cited by examiner

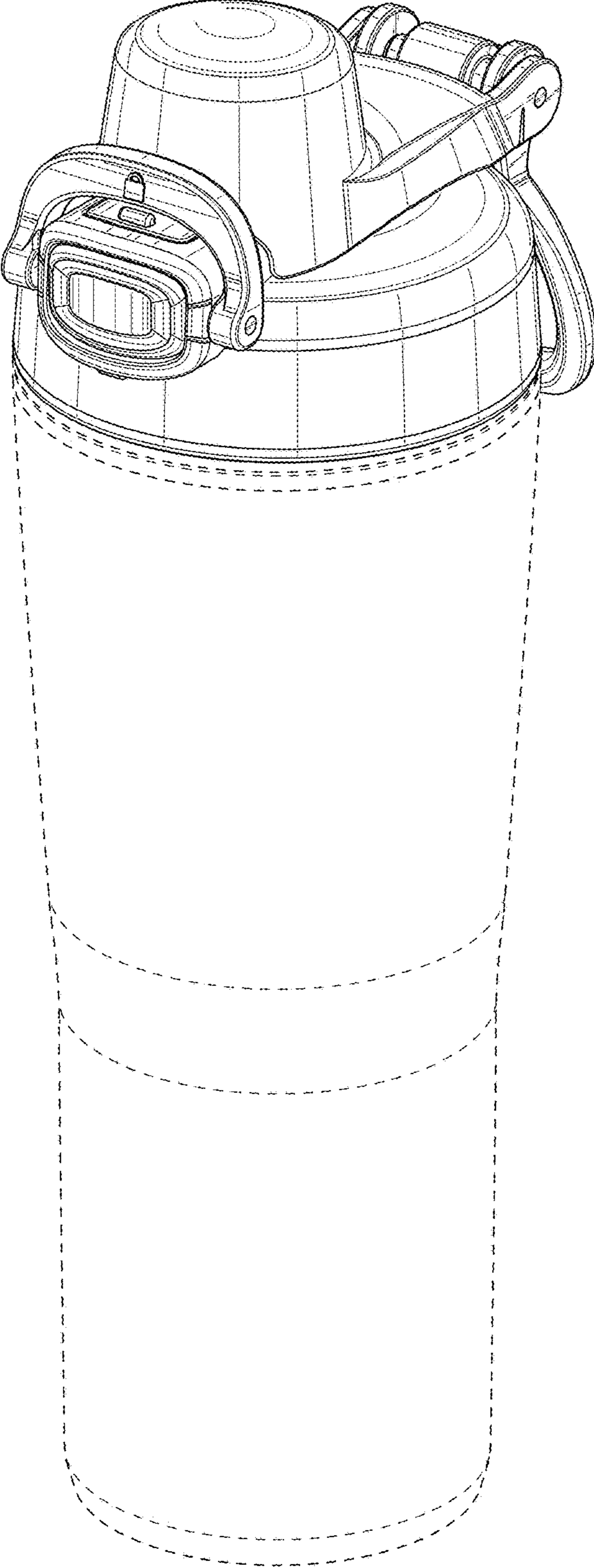


FIG. 1

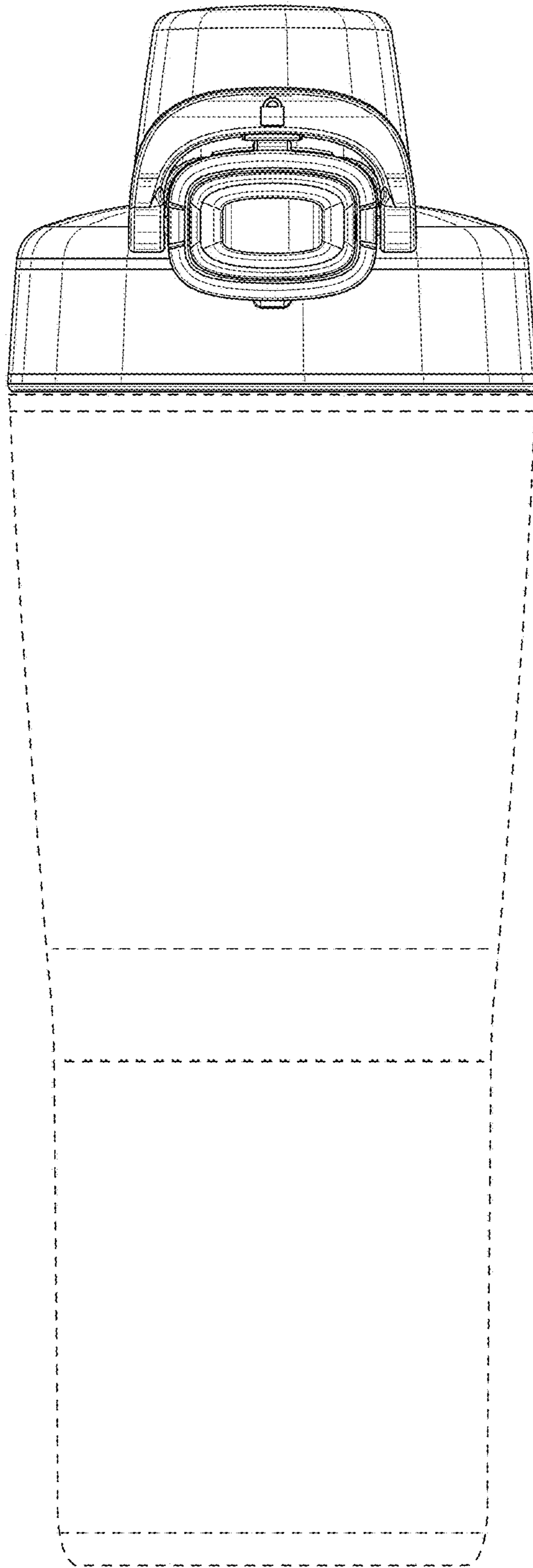


FIG. 2

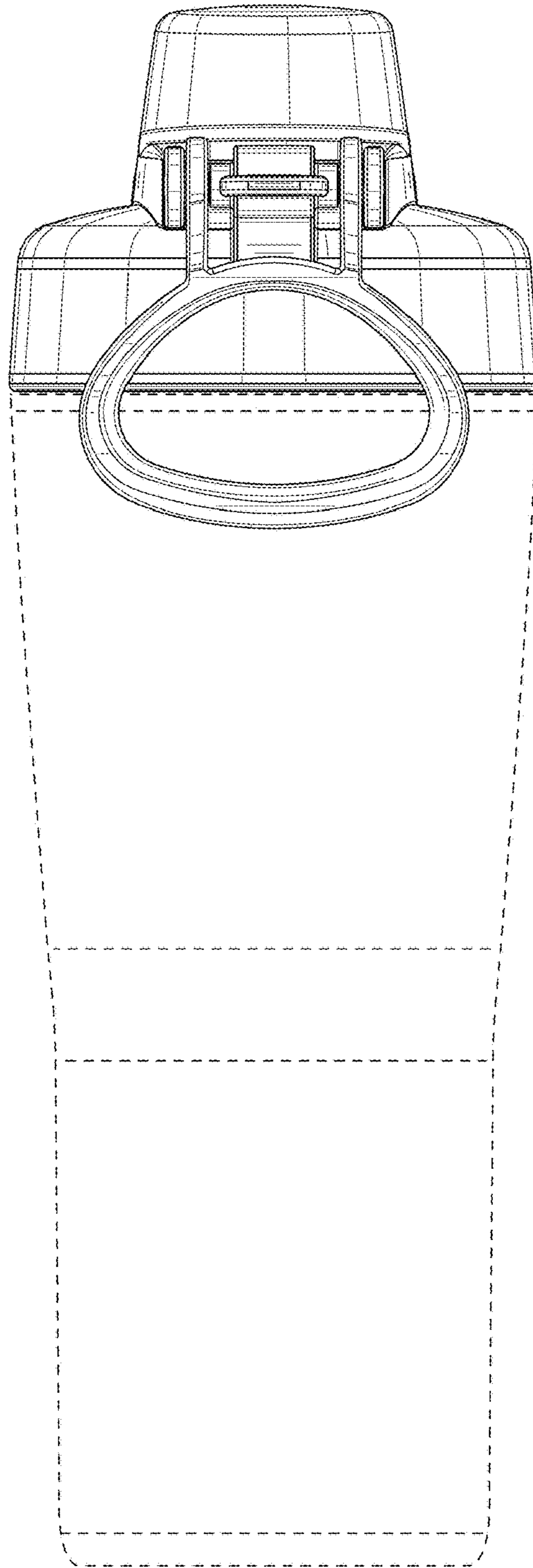


FIG. 3

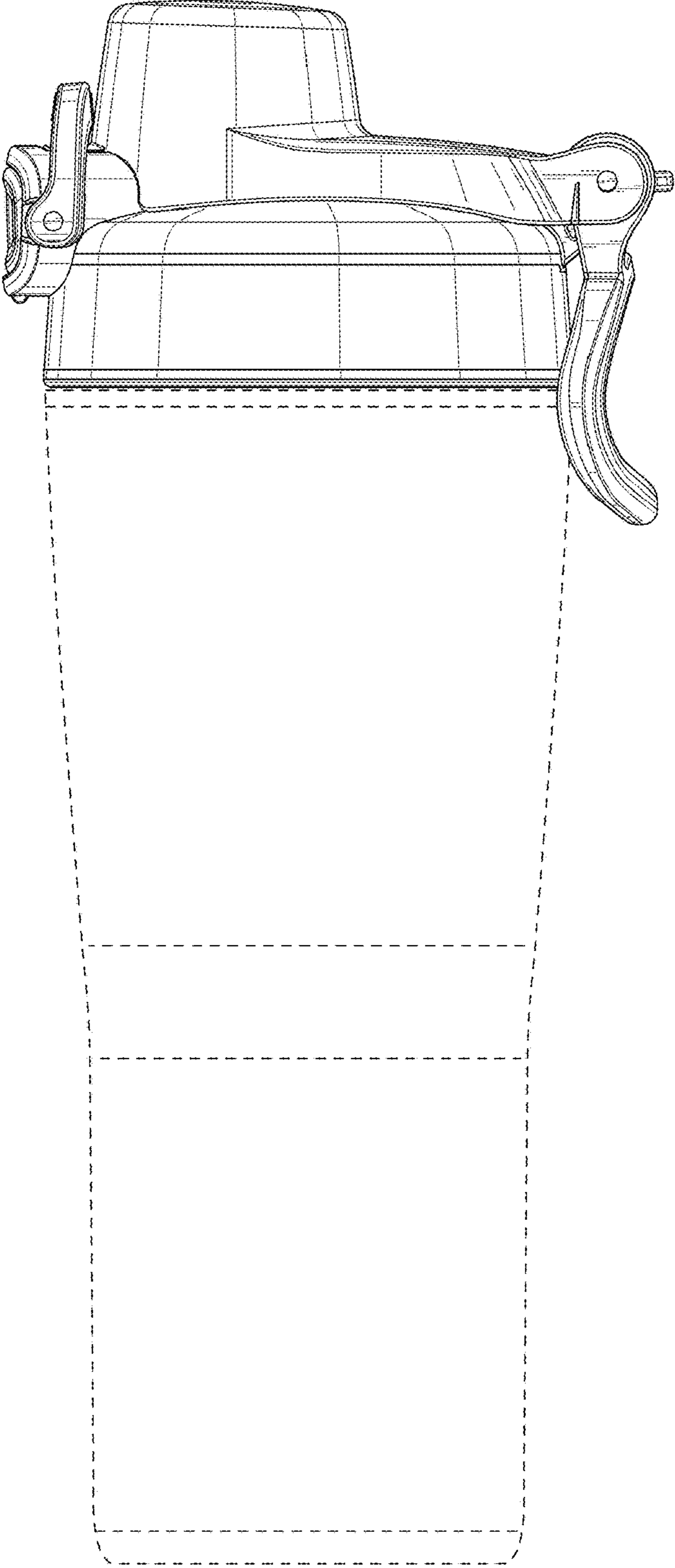


FIG. 4

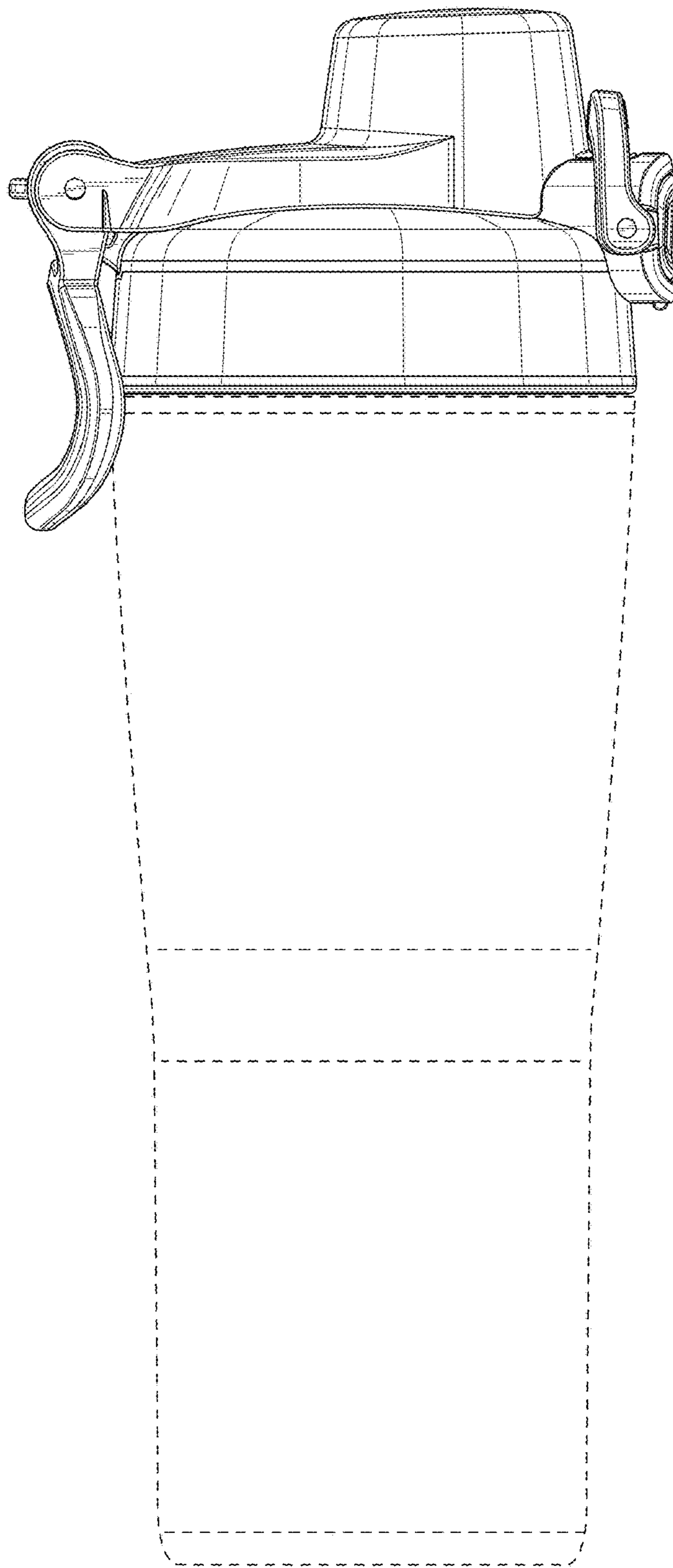


FIG. 5

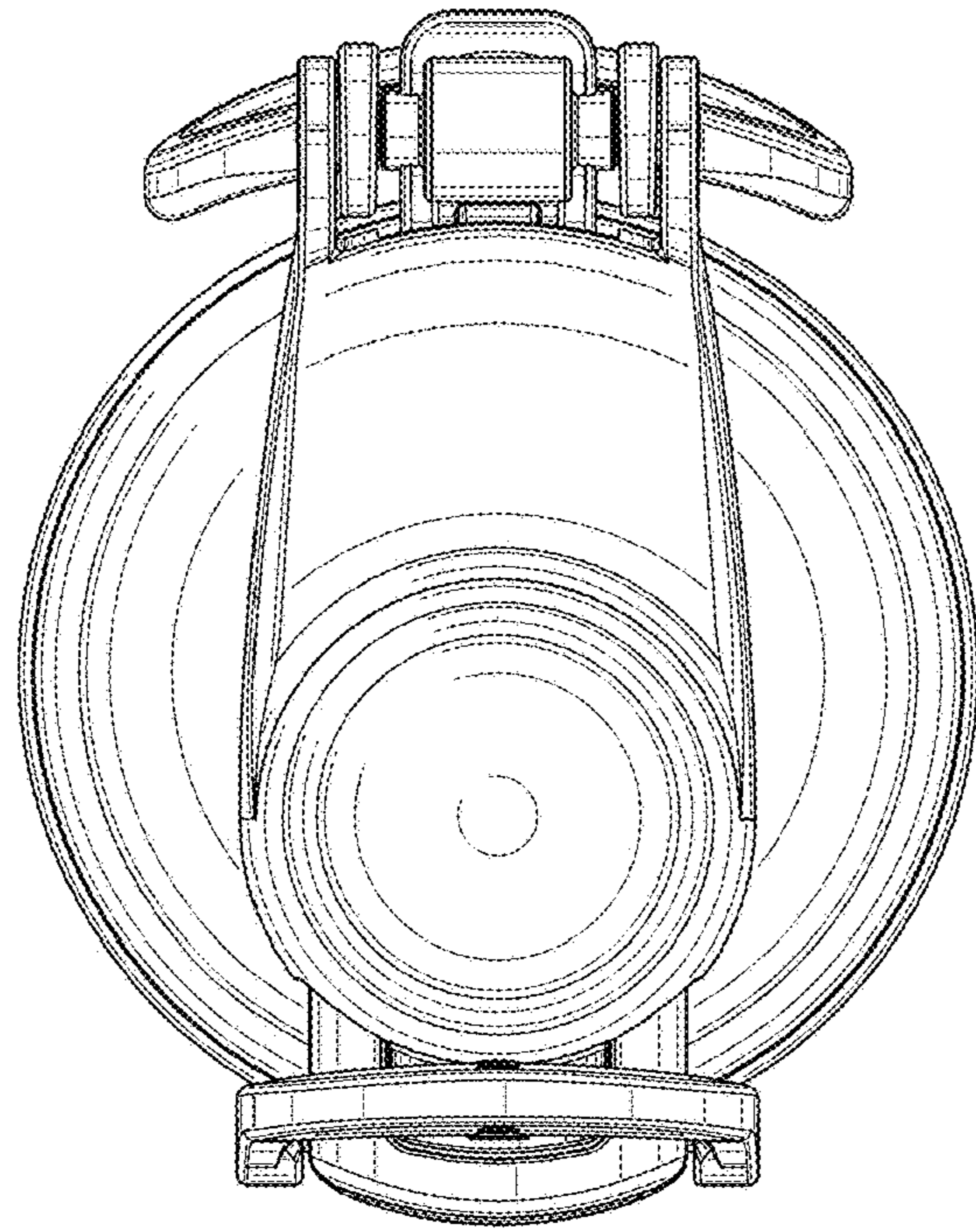


FIG. 6

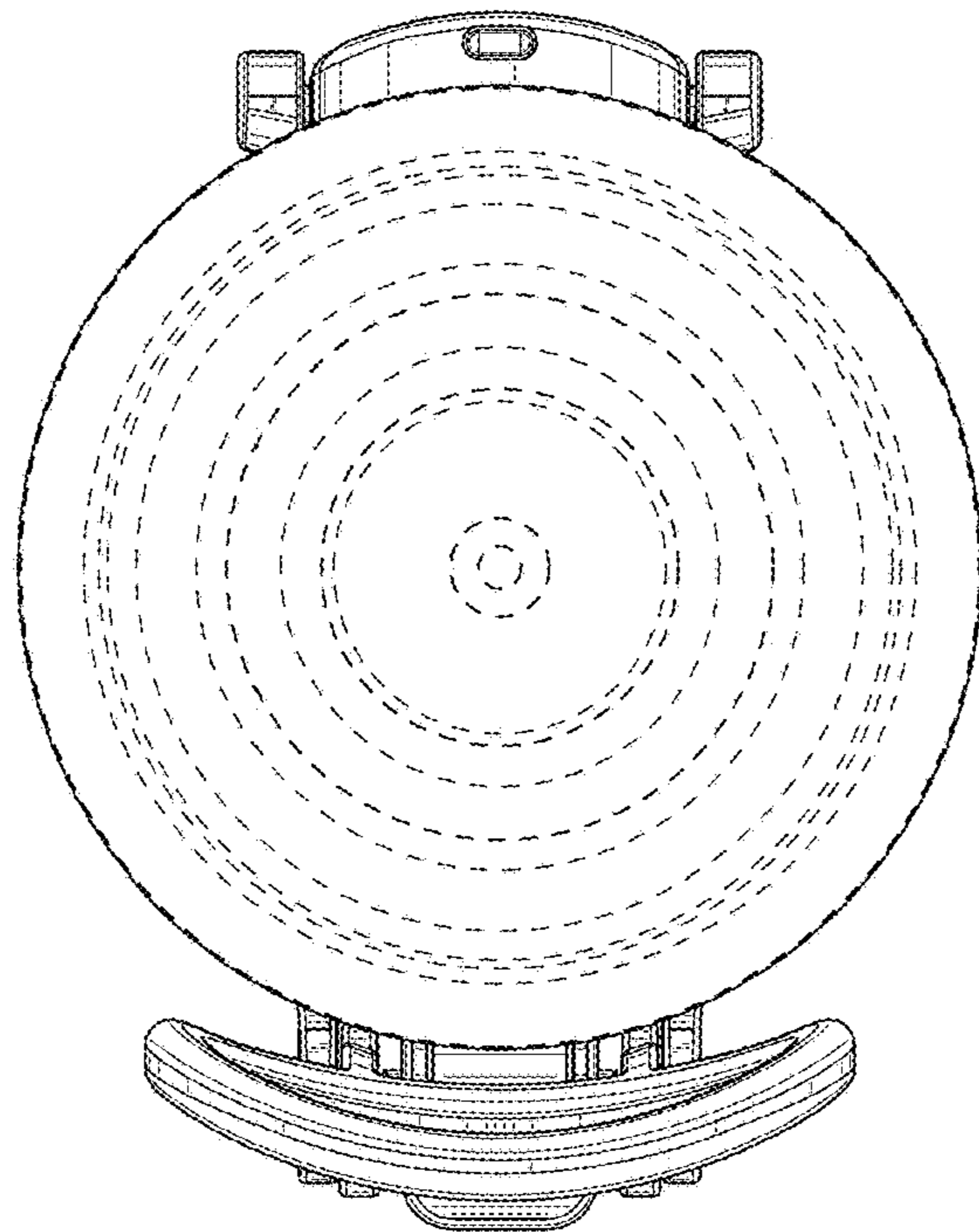


FIG. 7