



US00D820633S

(12) **United States Design Patent** (10) **Patent No.:** **US D820,633 S**  
**Chen** (45) **Date of Patent:** **\*\* Jun. 19, 2018**

(54) **VEGETABLE PROCESSOR**  
(71) Applicant: **SHUANGMA PLASTIC MANUFACTURING INC.**, Linhai, Zhejiang Province (CN)  
(72) Inventor: **Cui-Hong Chen**, Zhejiang Province (CN)  
(73) Assignee: **SHUANGMA PLASTIC MANUFACTURING INC.**, Linhai, Zhejiang Province (CN)  
(\*\*) Term: **15 Years**  
(21) Appl. No.: **29/603,809**  
(22) Filed: **May 12, 2017**  
(30) **Foreign Application Priority Data**

Feb. 23, 2017 (CN) ..... 2017 3 0048883  
(51) **LOC (11) Cl.** ..... **31-00**  
(52) **U.S. Cl.**  
USPC ..... **D7/384**  
(58) **Field of Classification Search**  
USPC ..... D7/372, 376-386, 412-413, 602, 629, D7/665-666, 669, 679, 693-694  
CPC .. A21C 1/02; A21C 1/04; A23G 9/045; A23N 1/00; A23N 1/02; A47J 42/04; A47J 43/04; A47J 43/25; A47J 43/255; A47J 43/27; A47J 43/042; A47J 43/044; A47J 43/046; A47J 43/06; A47J 43/075; A47J 43/0722; A47J 43/0727; B01F 3/00; B01F 3/0807; B01F 3/0853; B01F 13/0059; B01F 13/0064; B02C 1/08; B02C 2/04; B02C 4/42; B02C 4/142; B02C 4/143; B02C 4/423; B02C 13/1835; B28C 5/10; B28C 5/12; B28C 5/14; B28C 5/16  
See application file for complete search history.

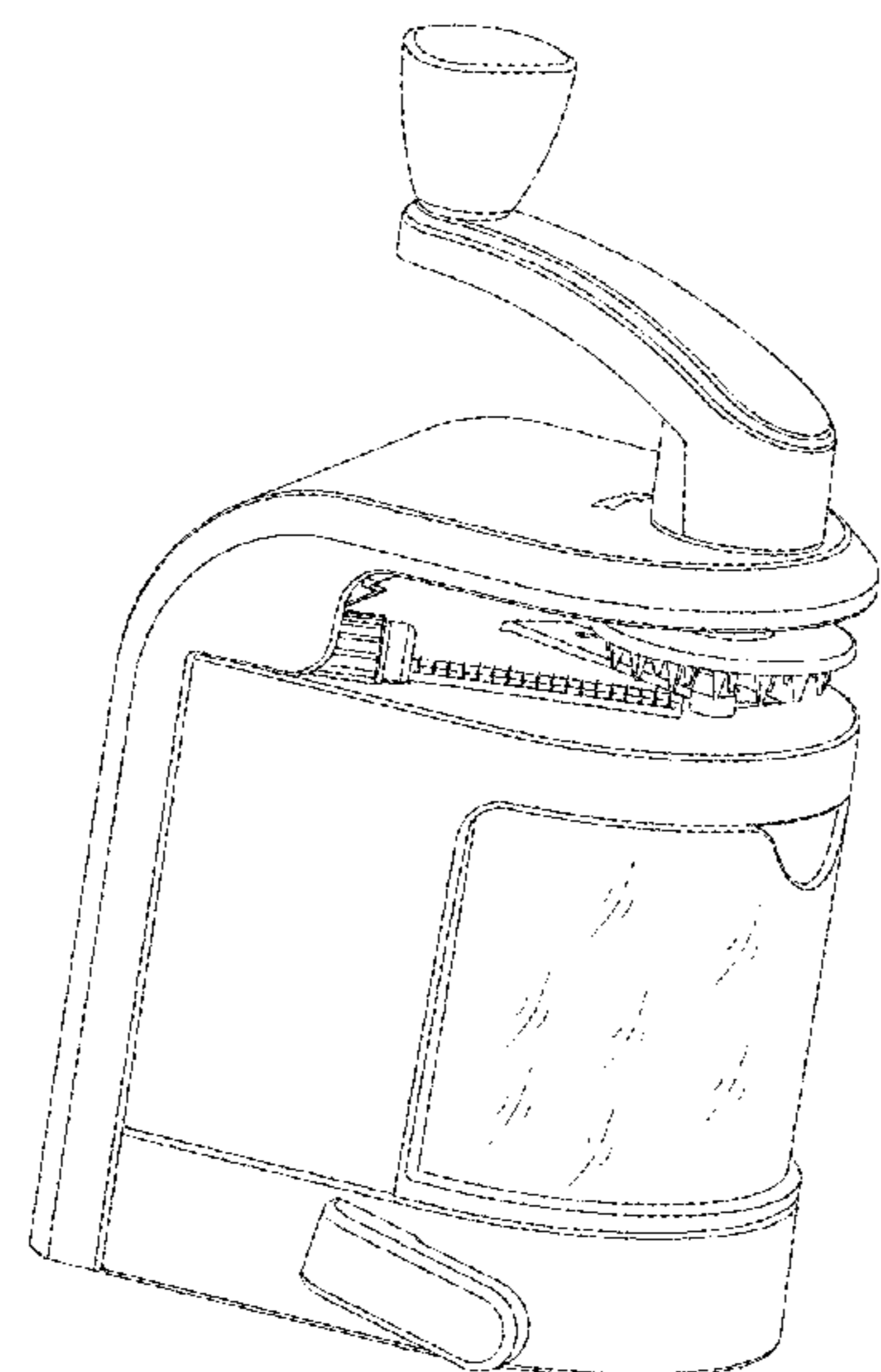
(56) **References Cited**  
U.S. PATENT DOCUMENTS  
2,688,448 A \* 9/1954 Lenz ..... A47J 42/04 241/168  
4,588,136 A \* 5/1986 Homma ..... A23G 9/045 241/168  
5,156,084 A \* 10/1992 Lin ..... A47J 43/06 210/380.1  
D391,804 S \* 3/1998 Wong ..... D7/376  
D427,011 S \* 6/2000 Yip ..... D7/384  
D431,426 S \* 10/2000 Yip ..... D7/679  
D447,017 S \* 8/2001 Jalet ..... D7/693  
D479,675 S \* 9/2003 Yip ..... D7/384  
D494,821 S \* 8/2004 Spalding ..... D7/384  
D575,099 S \* 8/2008 Jalet ..... D7/376  
8,789,781 B2 \* 7/2014 Sampaio ..... A47J 43/255 241/169.2  
D715,602 S \* 10/2014 Schillheim ..... D7/666

\* cited by examiner  
*Primary Examiner* — Ricky Pham  
(74) *Attorney, Agent, or Firm* — Locke Lord LLP; Tim Tingkang Xia, Esq.

(57) **CLAIM**  
The ornamental design for a vegetable processor, as shown and described.

**DESCRIPTION**  
FIG. 1 is a perspective view of a vegetable processor according to our new design;  
FIG. 2 is a front elevation view thereof;  
FIG. 3 is a rear elevation view thereof;  
FIG. 4 is a left side elevation view thereof;  
FIG. 5 is a right side elevation view thereof;  
FIG. 6 is a top plan view thereof; and,  
FIG. 7 is a bottom plan view thereof.

**1 Claim, 7 Drawing Sheets**



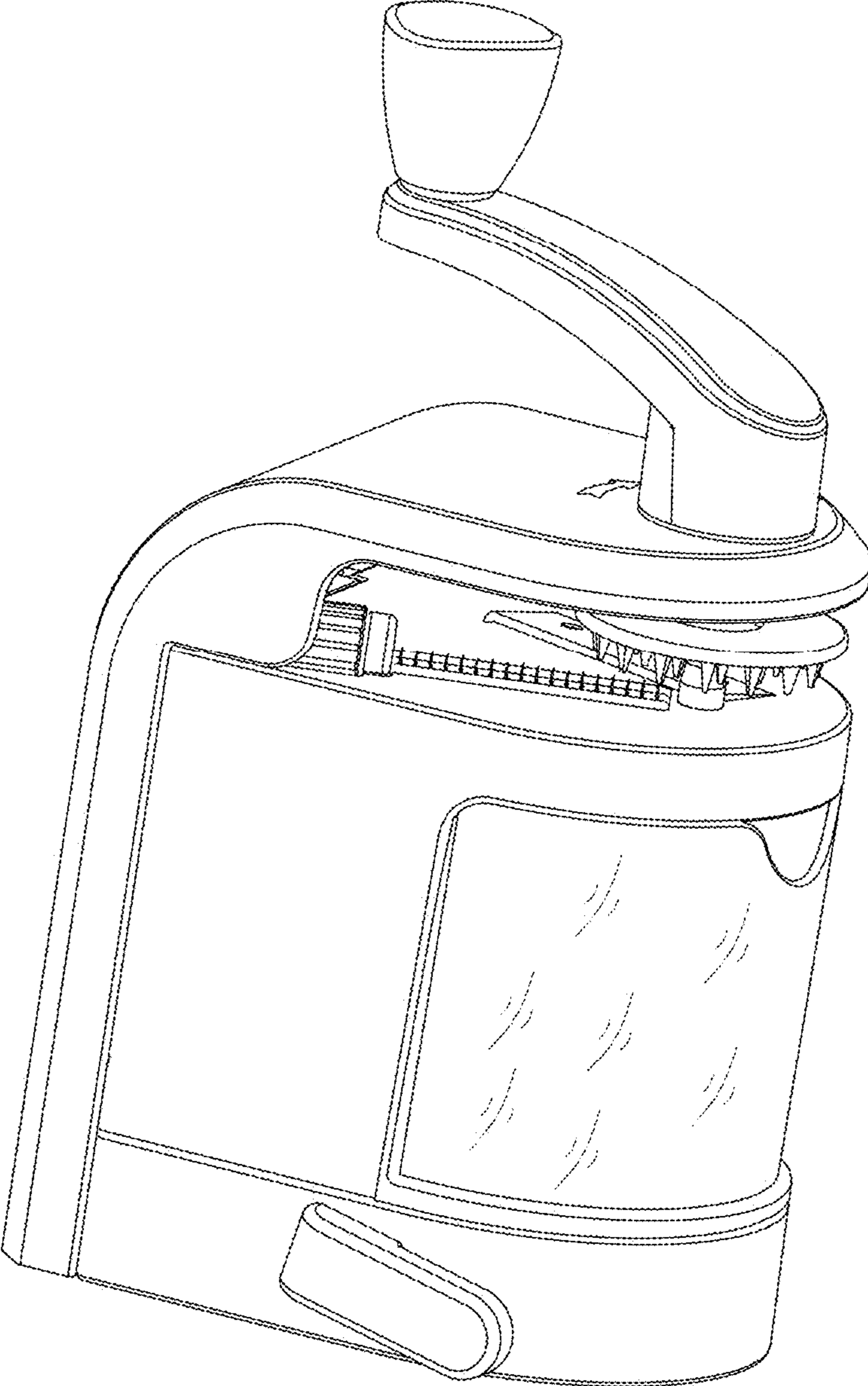


FIG. 1

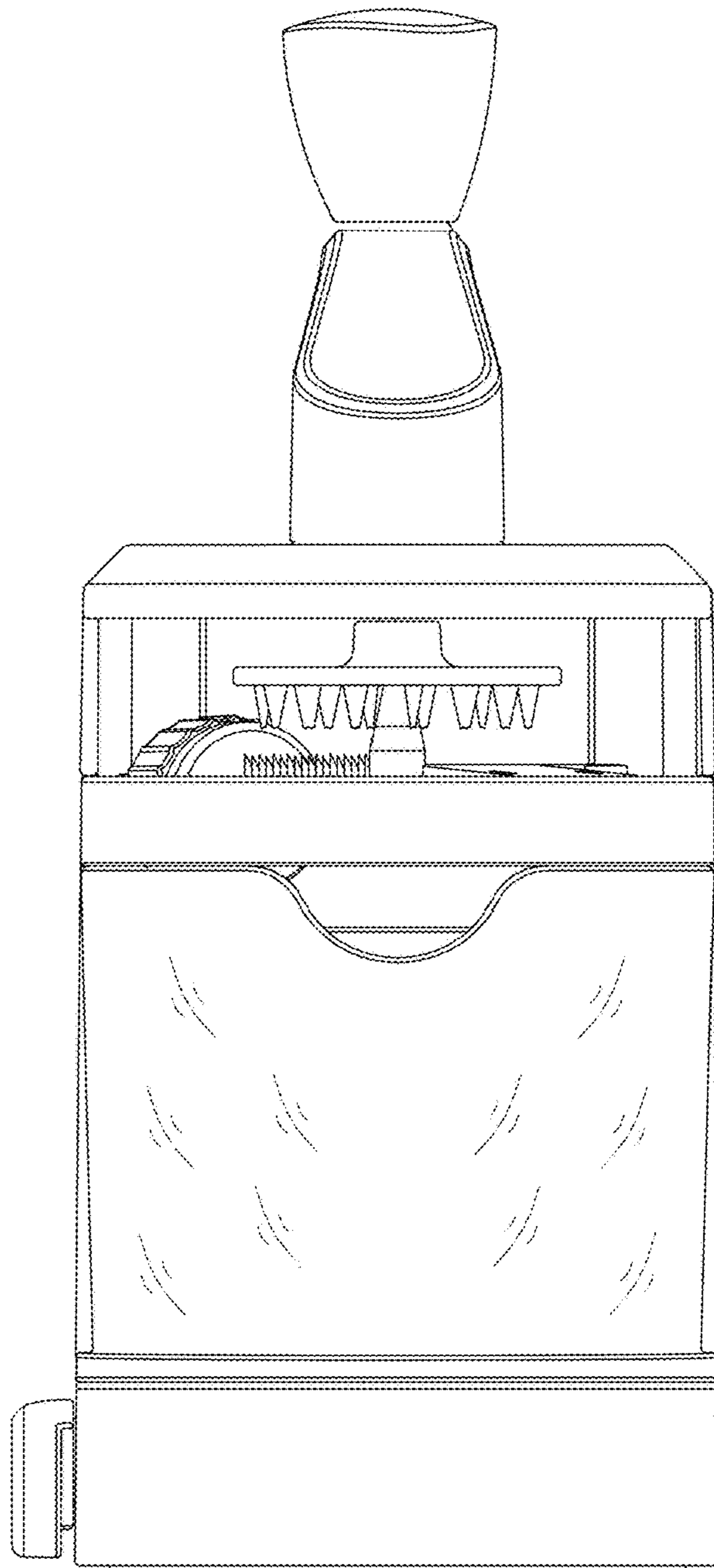


FIG. 2

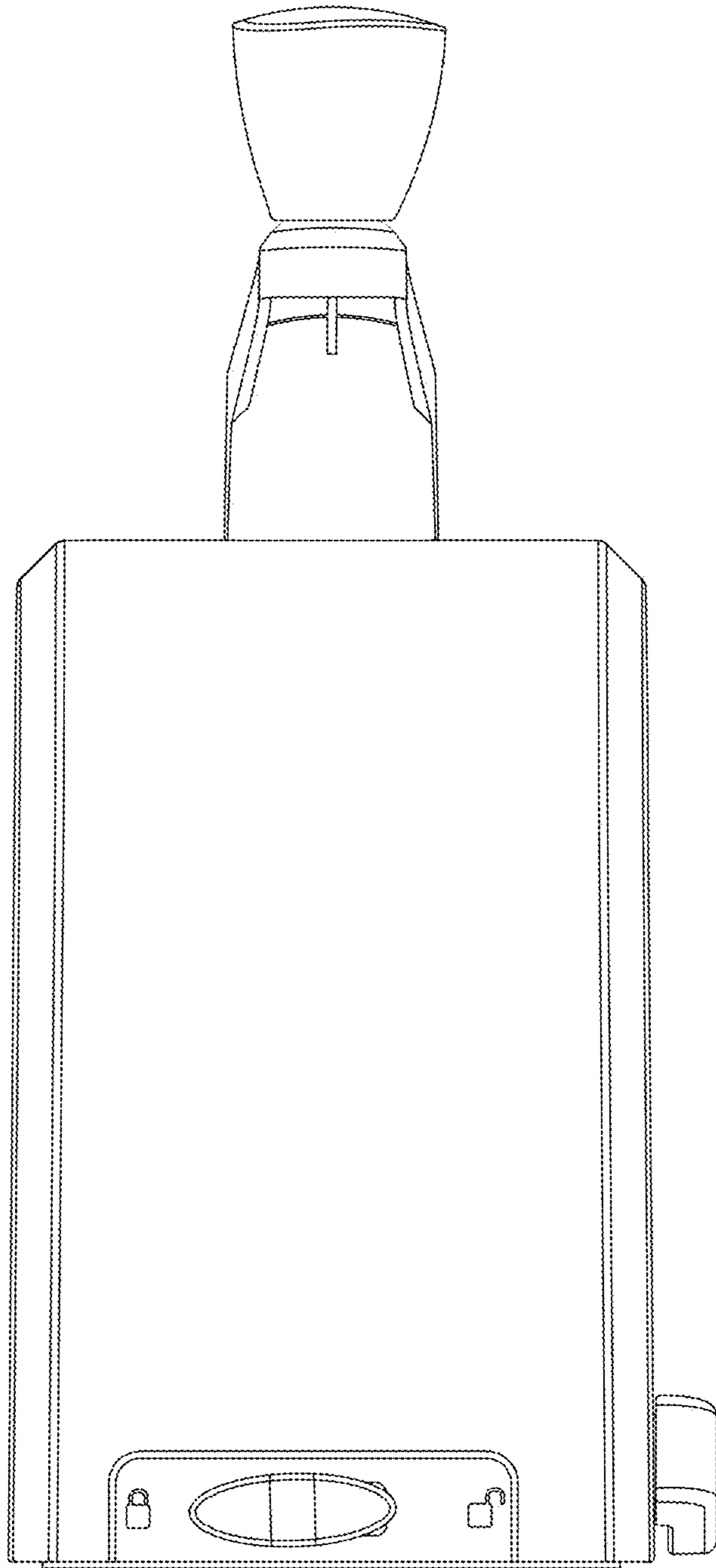


FIG. 3

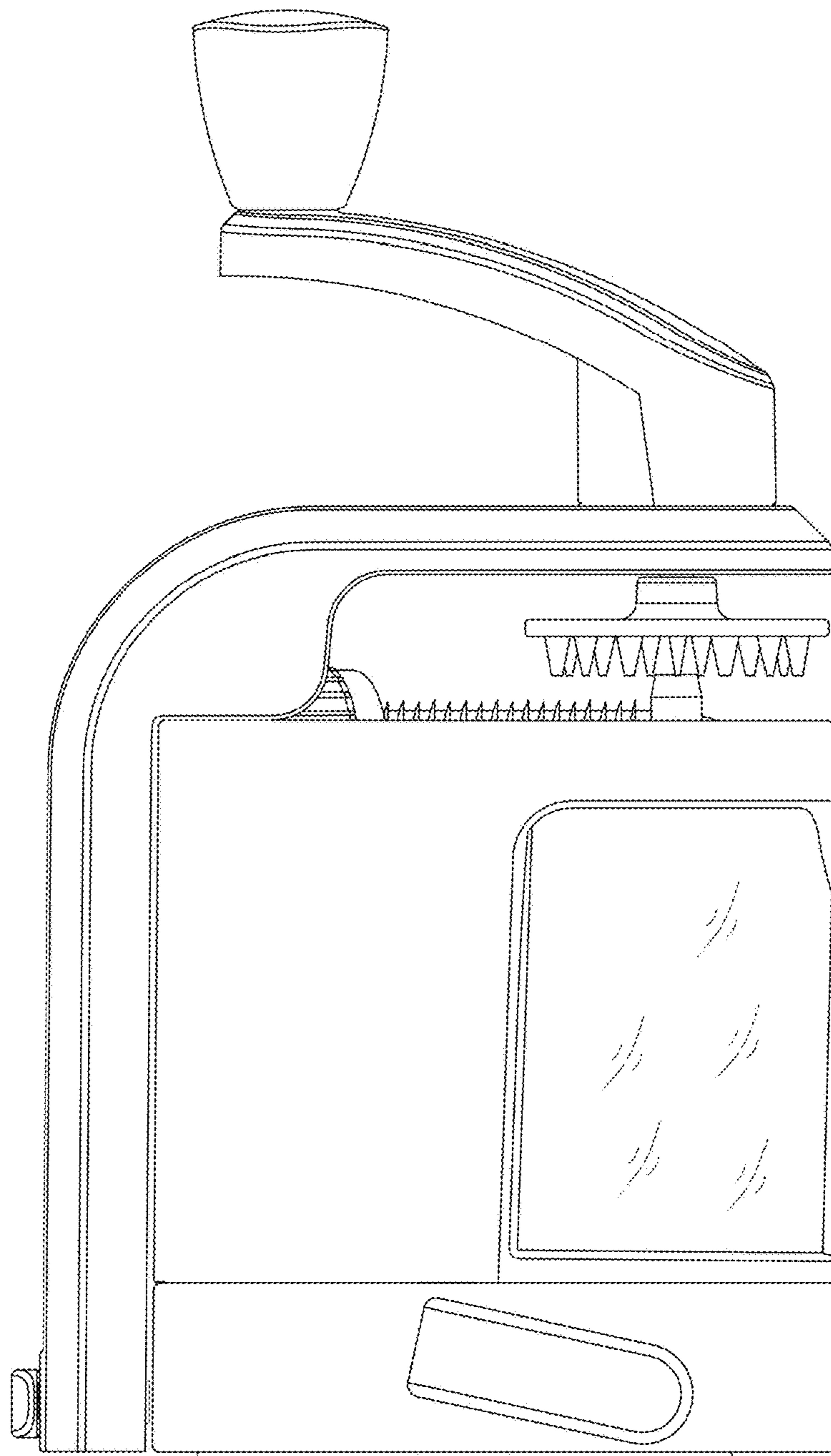


FIG. 4

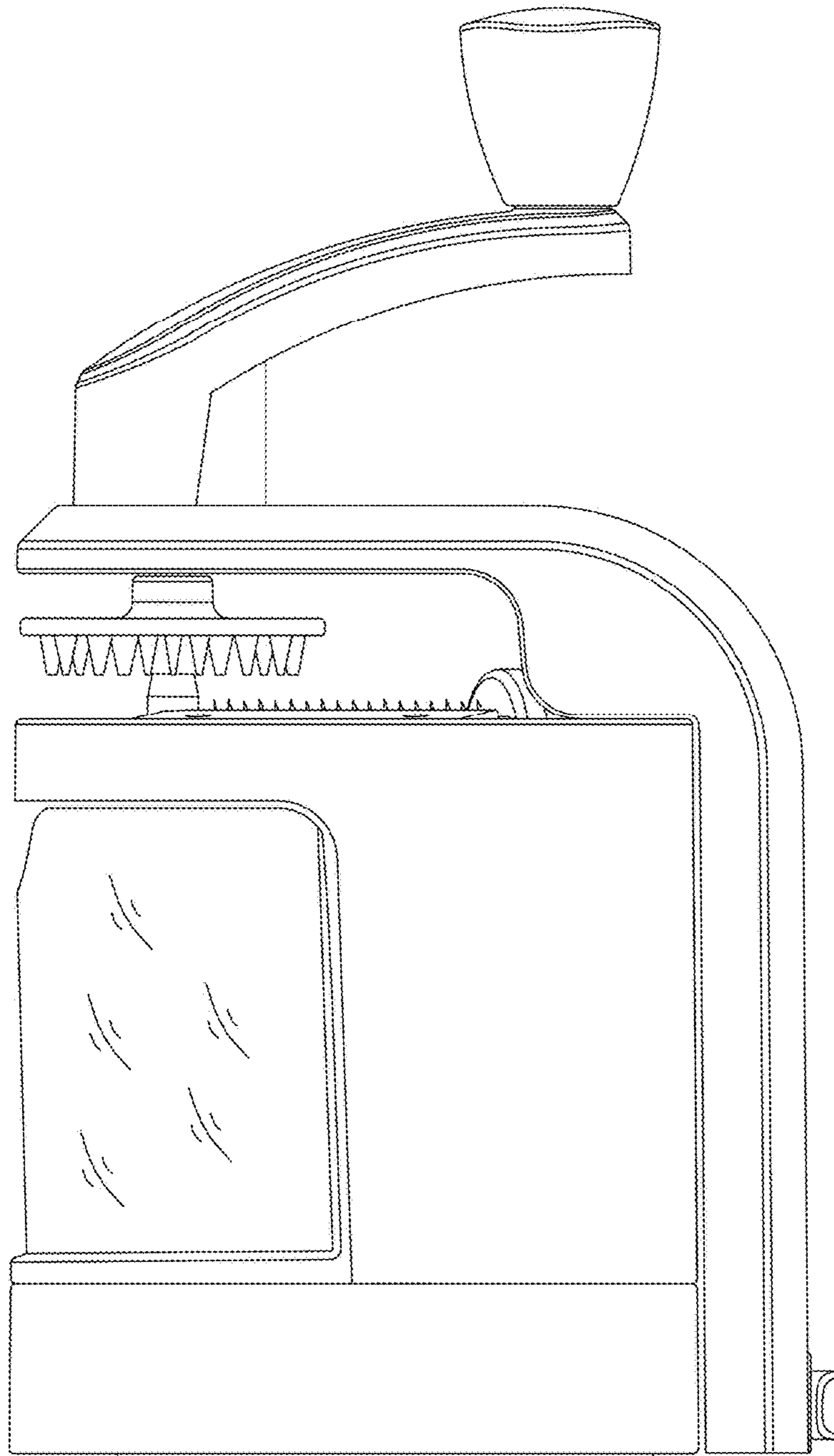


FIG. 5

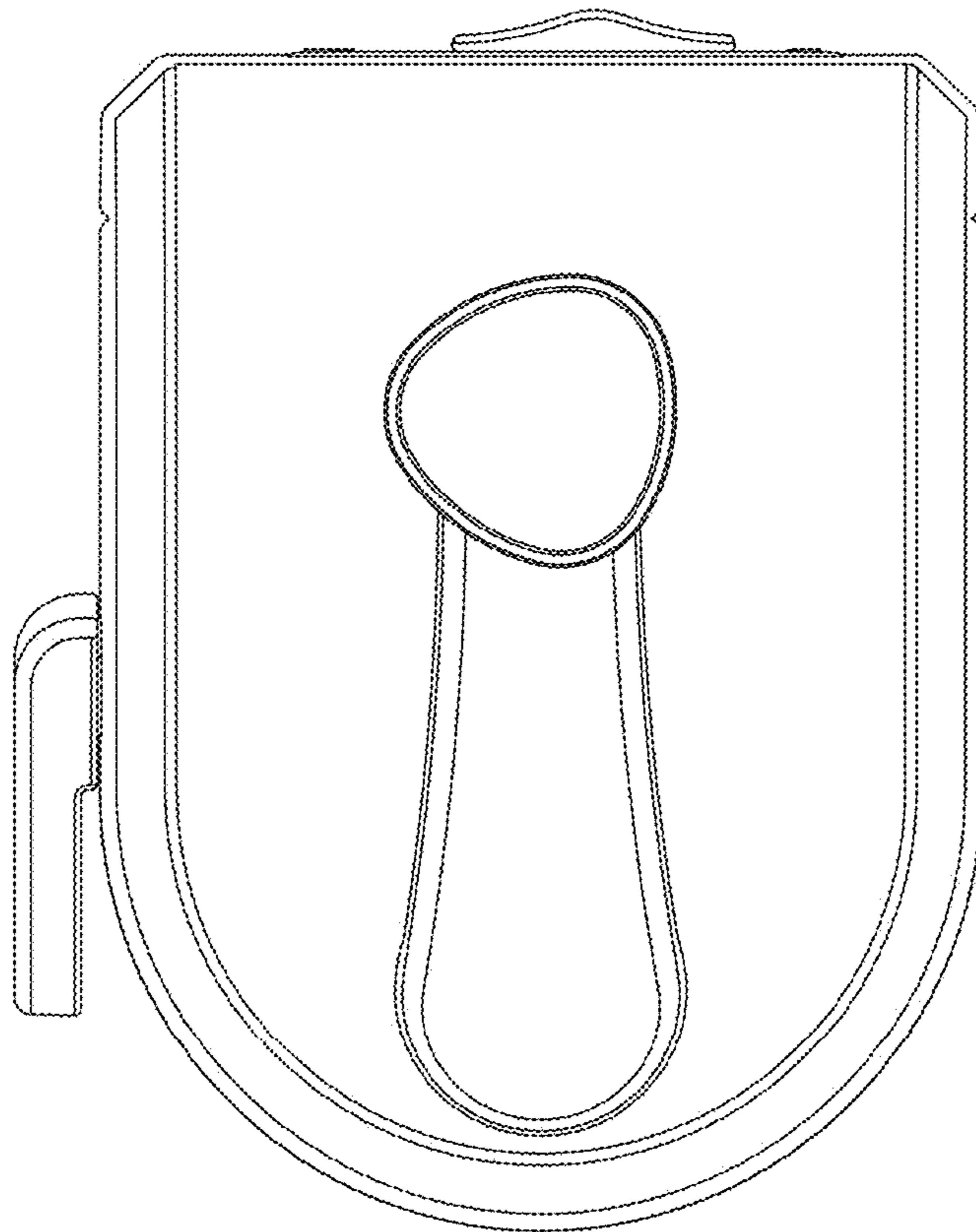


FIG. 6

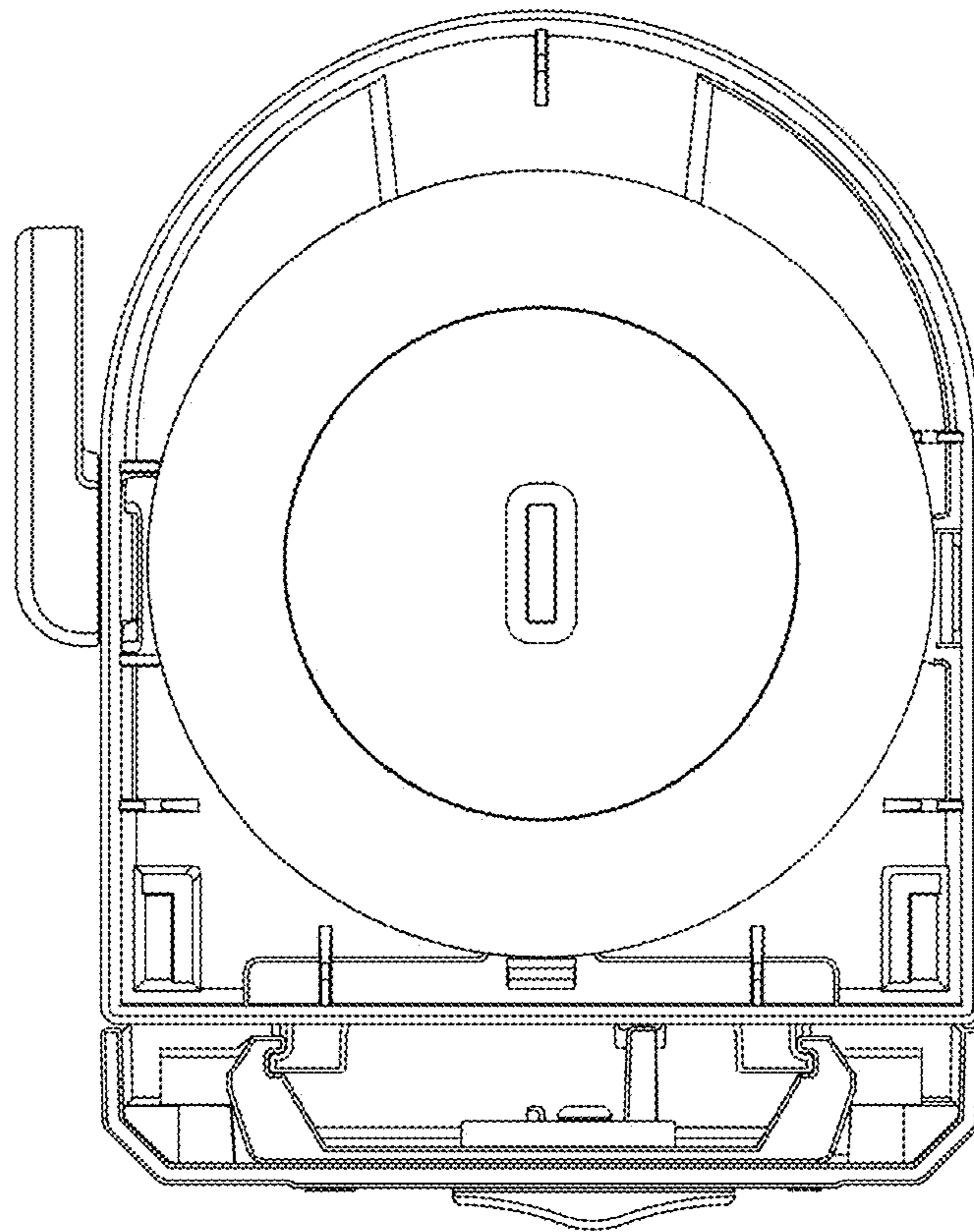


FIG. 7