



US00D820632S

(12) **United States Design Patent**
Lee

(10) **Patent No.:** **US D820,632 S**
(45) **Date of Patent:** **** Jun. 19, 2018**

(54) **INFRARED HEATING COOKER**

(71) Applicant: **Jin Hee Lee**, Seoul (KR)

(72) Inventor: **Jin Hee Lee**, Seoul (KR)

(**) Term: **15 Years**

(21) Appl. No.: **29/557,915**

(22) Filed: **Mar. 14, 2016**

(30) **Foreign Application Priority Data**

Aug. 24, 2015 (KR) 30-2015-0042498

(51) **LOC (11) Cl.** **07-02**

(52) **U.S. Cl.**
USPC **D7/362**

(58) **Field of Classification Search**
USPC D7/323, 337, 339-341, 352, 354-358,
D7/360, 362-367, 393, 402-403,
D7/407-411, 601, 605; D3/276
(Continued)

(56) **References Cited**

U.S. PATENT DOCUMENTS

D439,792 S * 4/2001 Hedrington D7/323
D442,822 S * 5/2001 Lin D7/337
(Continued)

FOREIGN PATENT DOCUMENTS

KR 1673504 B1 * 11/2016

OTHER PUBLICATIONS

What Is an Infrared Cooker?, posted at Smartkitchenpicks.com,
posted on © 2017, site visited Feb. 27, 2017, <<http://smartkitchenpicks.com/what-is-an-infrared-cooker>>.*

(Continued)

Primary Examiner — Barbara Fox
Assistant Examiner — Messina L Smith

(74) *Attorney, Agent, or Firm* — Kile Park Reed & Houtteman PLLC

(57) **CLAIM**

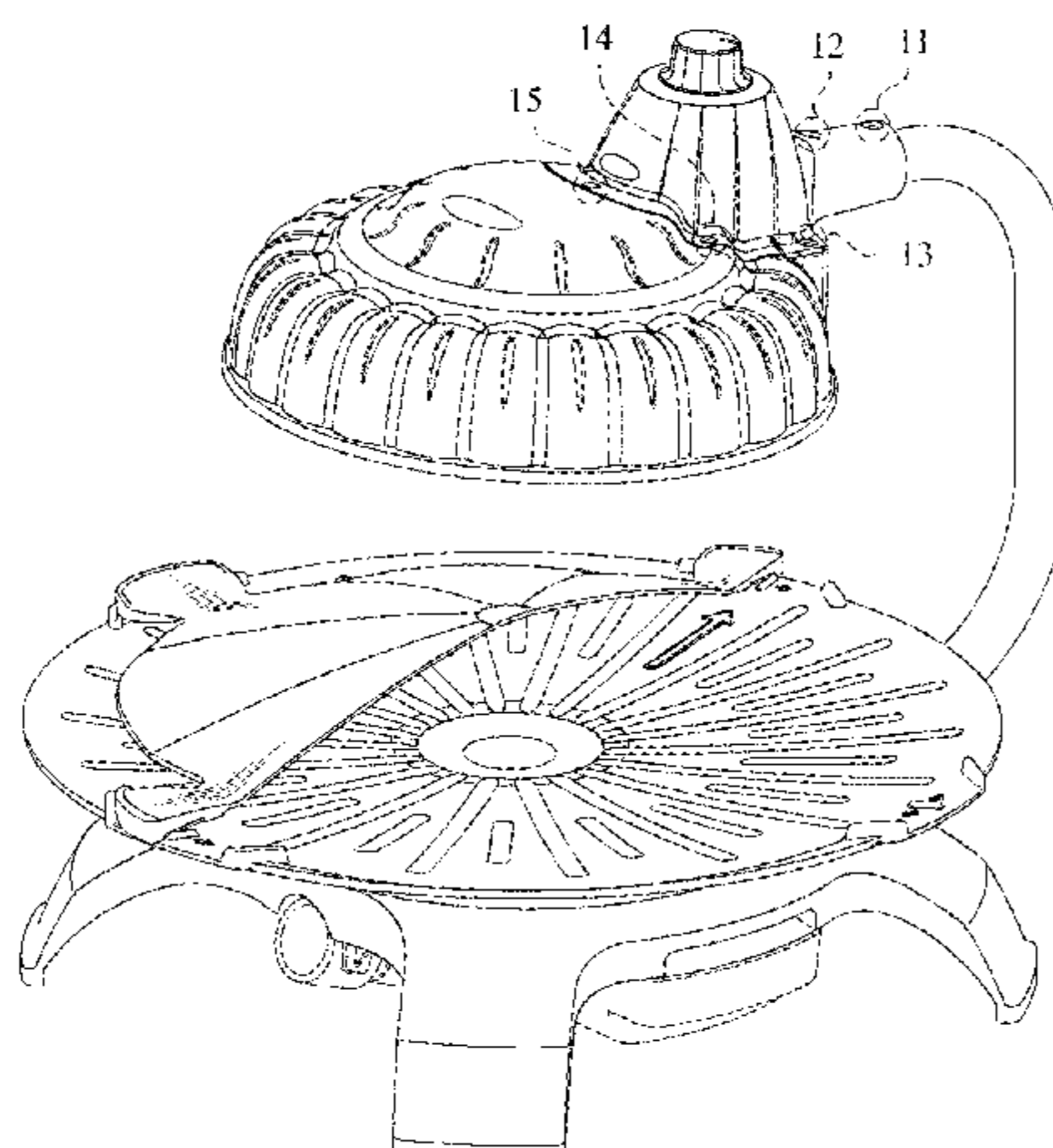
I claim, the ornamental design for an infrared heating cooker, as shown and described.

DESCRIPTION

FIG. 1 is a top and front perspective view of an infrared heating cooker, showing my new design;
FIG. 2 is a front elevational view thereof;
FIG. 3 is a rear elevational view thereof;
FIG. 4 is a left side elevational view thereof;
FIG. 5 is a right side elevational view thereof;
FIG. 6 is a top plan view thereof;
FIG. 7 is a bottom plan view thereof;
FIG. 8 is an enlarged view of the portion labeled “8” encircled in FIG. 2;
FIG. 9 is an enlarged view of the portion labeled “9” encircled in FIG. 2;
FIG. 10 is an enlarged view of the portion labeled “10” encircled in FIG. 1;
FIG. 11 is an enlarged view of the portion labeled “11” encircled in FIG. 1;
FIG. 12 is an enlarged view of the portion labeled “12” encircled in FIG. 1;
FIG. 13 is an enlarged view of the portion labeled “13” encircled in FIG. 1;
FIG. 14 is an enlarged view of the portion labeled “14” encircled in FIG. 1;
FIG. 15 is an enlarged view of the portion labeled “15” encircled in FIG. 1;
FIG. 16 is an enlarged view of the portion labeled “16” encircled in FIG. 3; and,
FIG. 17 is an enlarged view of the portion labeled “17” encircled in FIG. 3.

The broken lines are shown for the purpose of illustrating parts of the infrared heating cooker that form no part of the claim. The longer dashed broken lines are shown for the

(Continued)



purpose of designating the enlargement of FIGS. 8-12 and their origin reference on FIGS. 1-3 and form no part of the claim.

1 Claim, 12 Drawing Sheets

(58) **Field of Classification Search**

CPC A21B 1/06; A21B 1/50; A21B 1/52; A47J 37/04; A47J 37/06; A47J 37/015; A47J 37/067; A47J 37/0611; A47J 37/0629; A47J 37/0676; A47J 37/108; F24C 7/06; F24C 7/083; F24C 15/02; F24C 15/66; H05B 3/20; H05B 3/40

See application file for complete search history.

(56) **References Cited**

U.S. PATENT DOCUMENTS

6,363,842	B1 *	4/2002	Lin	A47J 36/38	
					126/299 D	
D458,078	S *	6/2002	Lin	D7/362	
D653,904	S *	2/2012	Lee	D7/362	
D684,808	S *	6/2013	Mehler	D7/354	
D688,086	S *	8/2013	Lee	D7/362	
D688,087	S *	8/2013	Lee	D7/362	
D688,088	S *	8/2013	Lee	D7/362	
D688,089	S *	8/2013	Lee	D7/362	
D688,090	S *	8/2013	Lee	D7/362	
D710,143	S *	8/2014	Lee	D7/362	
D710,144	S *	8/2014	Lee	D7/362	
D743,733	S *	11/2015	Lee	D7/362	

D743,734	S *	11/2015	Lee	D7/362
D764,222	S *	8/2016	Lee	D7/352
D764,223	S *	8/2016	Lee	D7/352
D764,859	S *	8/2016	Lee	D7/352
D764,860	S *	8/2016	Lee	D7/352
D764,861	S *	8/2016	Lee	D7/352
D764,862	S *	8/2016	Lee	D7/352
D772,648	S *	11/2016	Palermo	D7/367
2009/0223380	A1 *	9/2009	Van Aken	A47J 37/0629
					99/332

OTHER PUBLICATIONS

Infrared Cooking BBQs, posted at Trendhunter.com, posted on Apr. 20, 2016, site visited Feb. 27, 2017, <<http://www.trendhunter.com/trends/smokeless-grill>>.*

3D Infrared Baking Pan Korean Non-smoking Electric Baking Pan Iron Barbecue Grill, posted at Aliexpress.com, posted on © 2010-2016, site visited Feb. 27, 2017, <<https://www.aliexpress.com/item/3D-Infrared-Baking-Pan-Korean-Non-smoking-Electric-Baking-Pan-Iron-Barbecue-Grill-Creative-Gifts/32792748741.html?spm=2114.40010708.4.13.njaFKY>>.*

3D smokeless electric grill infrared heat grill for home BBQ Grill Non-stick, posted at Amazon.com, posted on May 1, 2016, site visited Feb. 27, 2017, <<https://www.amazon.com/smokeless-electric-infrared-Non-stick-LY-005/dp/B01F0X7DKG>>.*

Gourmia GHG1600 Digital Halogen Powered Rotating Grill, posted at Amazon.com, posted on Oct. 30, 2016, site visited Feb. 27, 2017, <https://www.amazon.com/Gourmia-GHG1600-Rotating-Temperature-Functional/dp/B01MD0DFPP/ref=pd_sbs_79_t_0/156-6430571-2509523?_encoding=UTF8&pvc=1&refRID=W7RWPKRC9AY6N3Q8K0T1>.*

* cited by examiner

FIG. 1

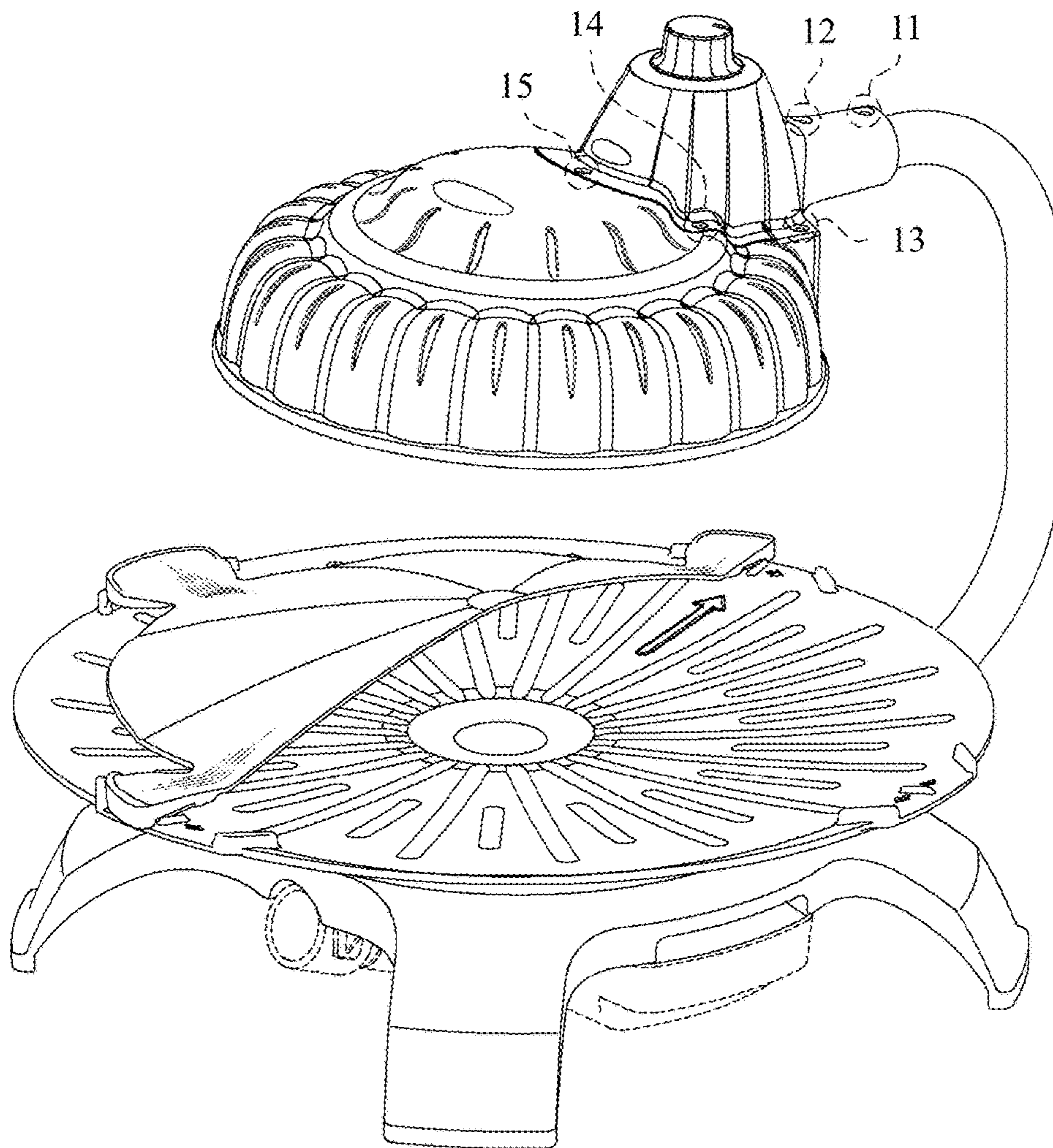


FIG. 2

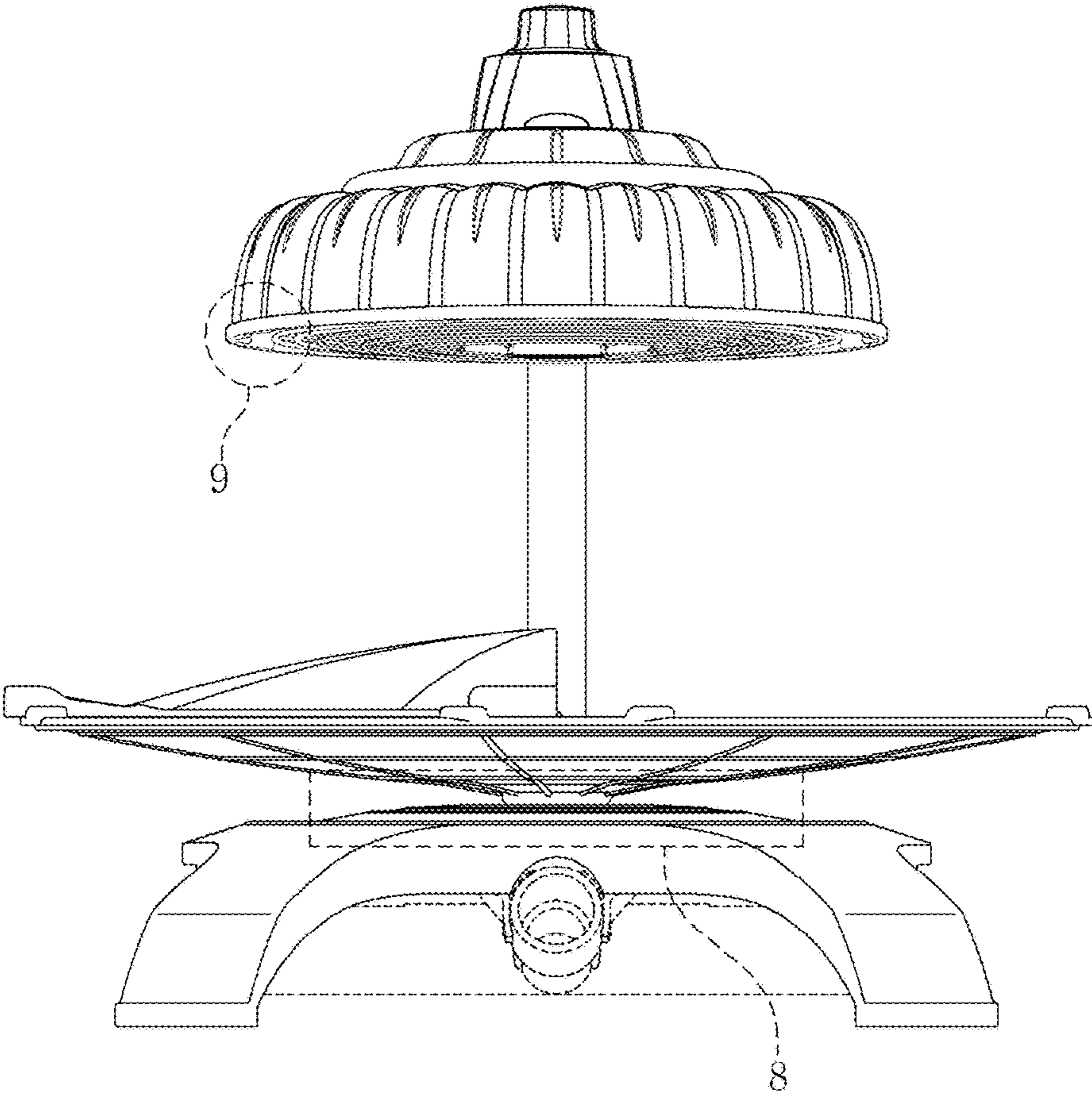


FIG. 3

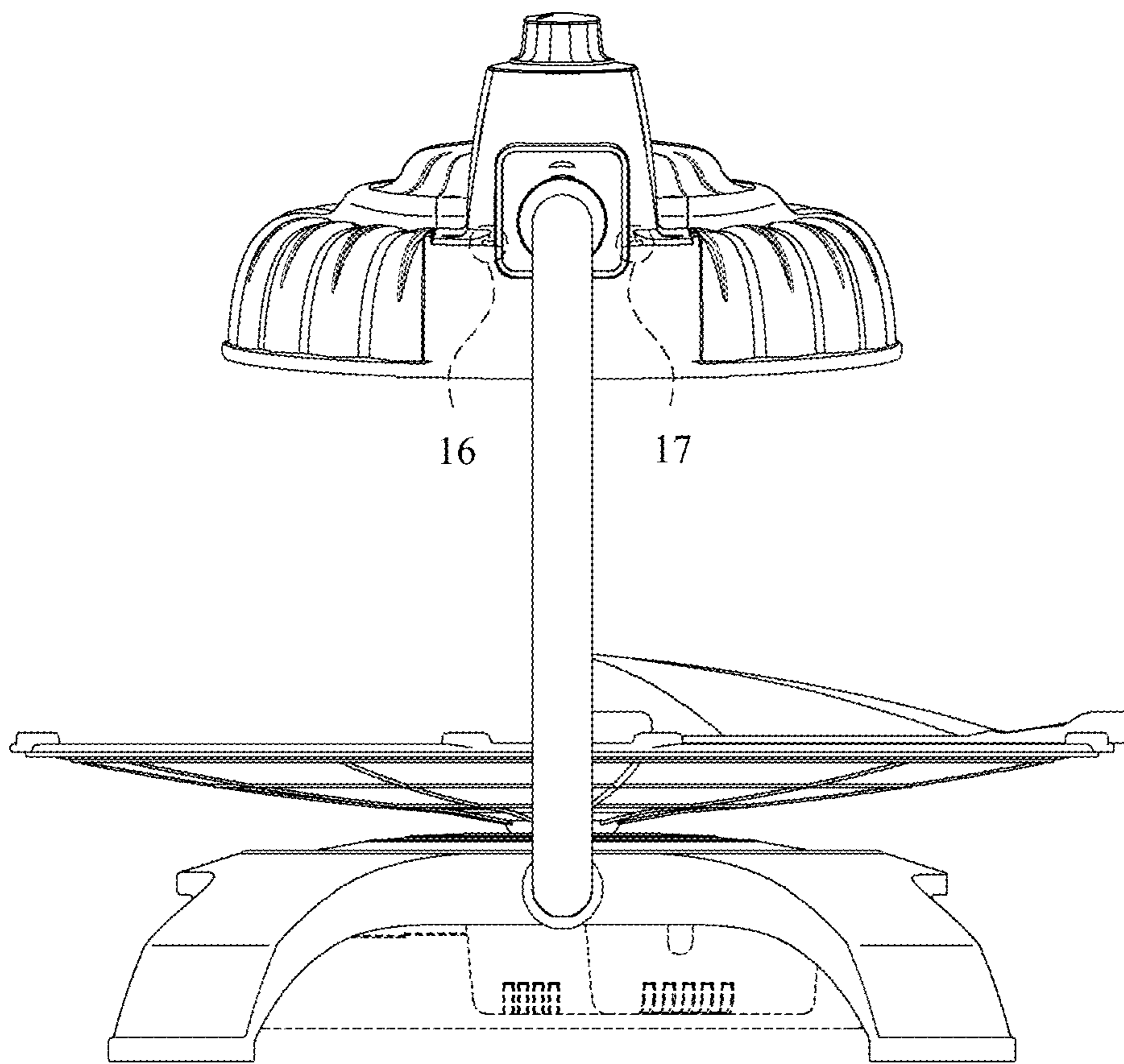


FIG. 4

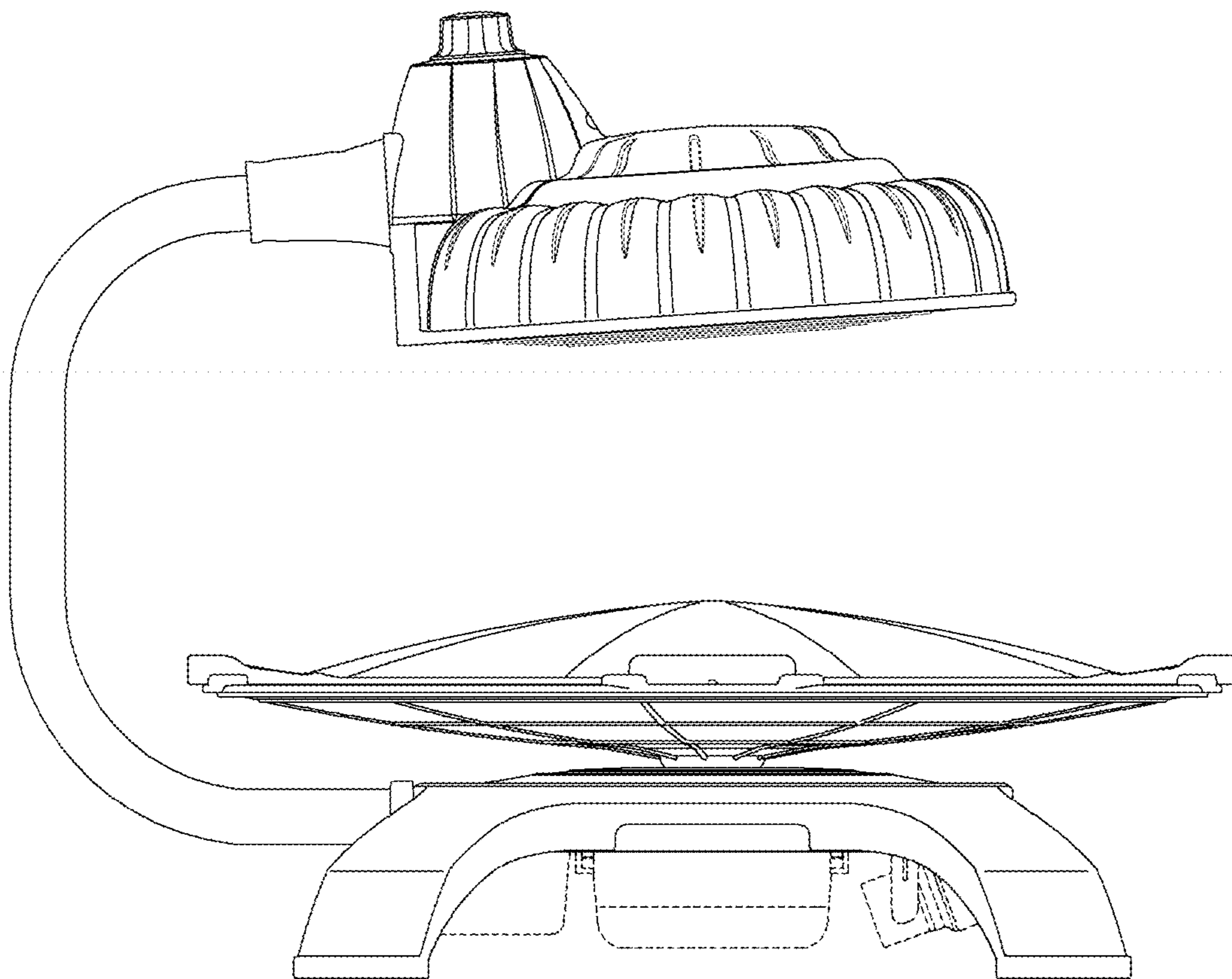


FIG. 5

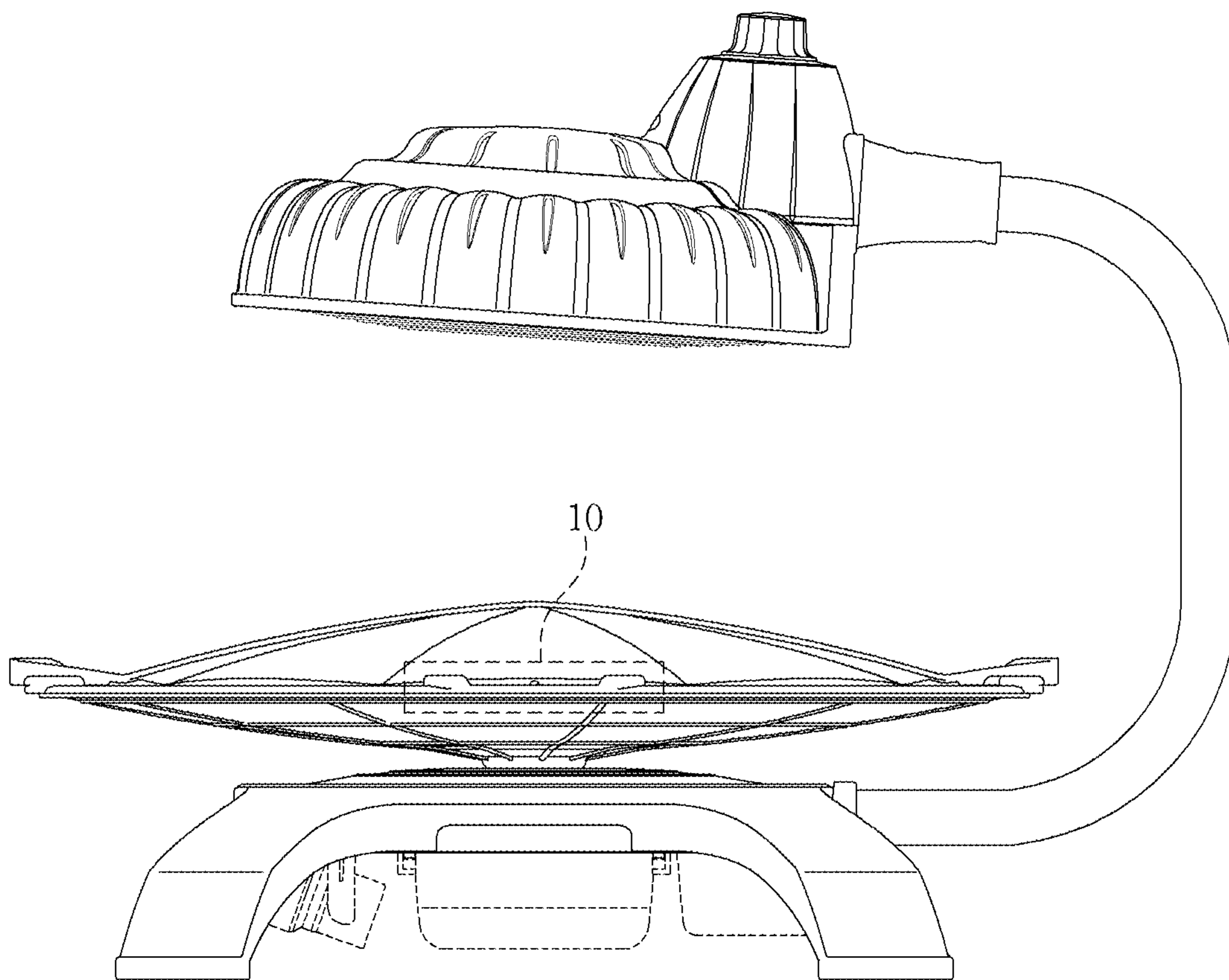


FIG. 6

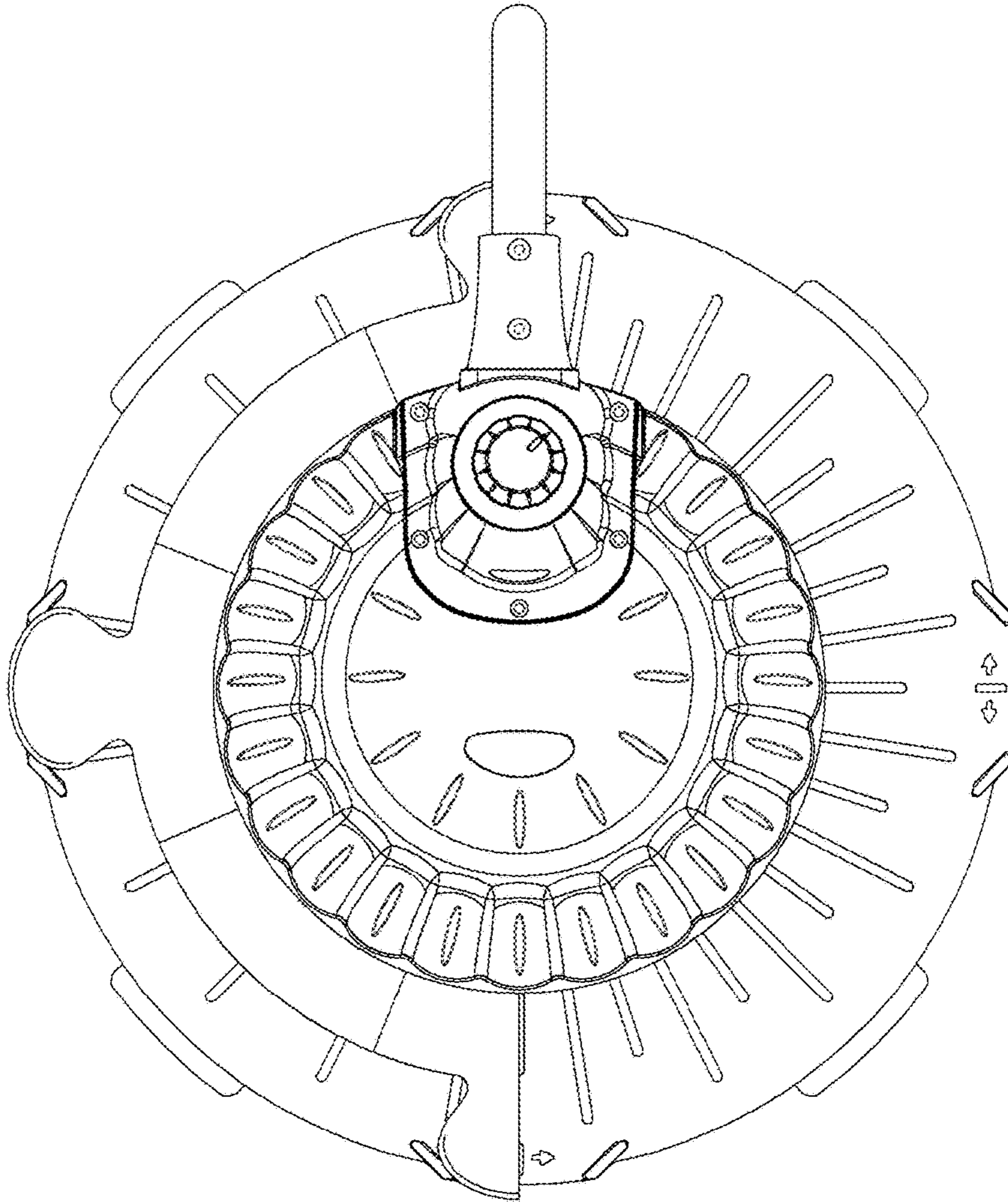


FIG. 7

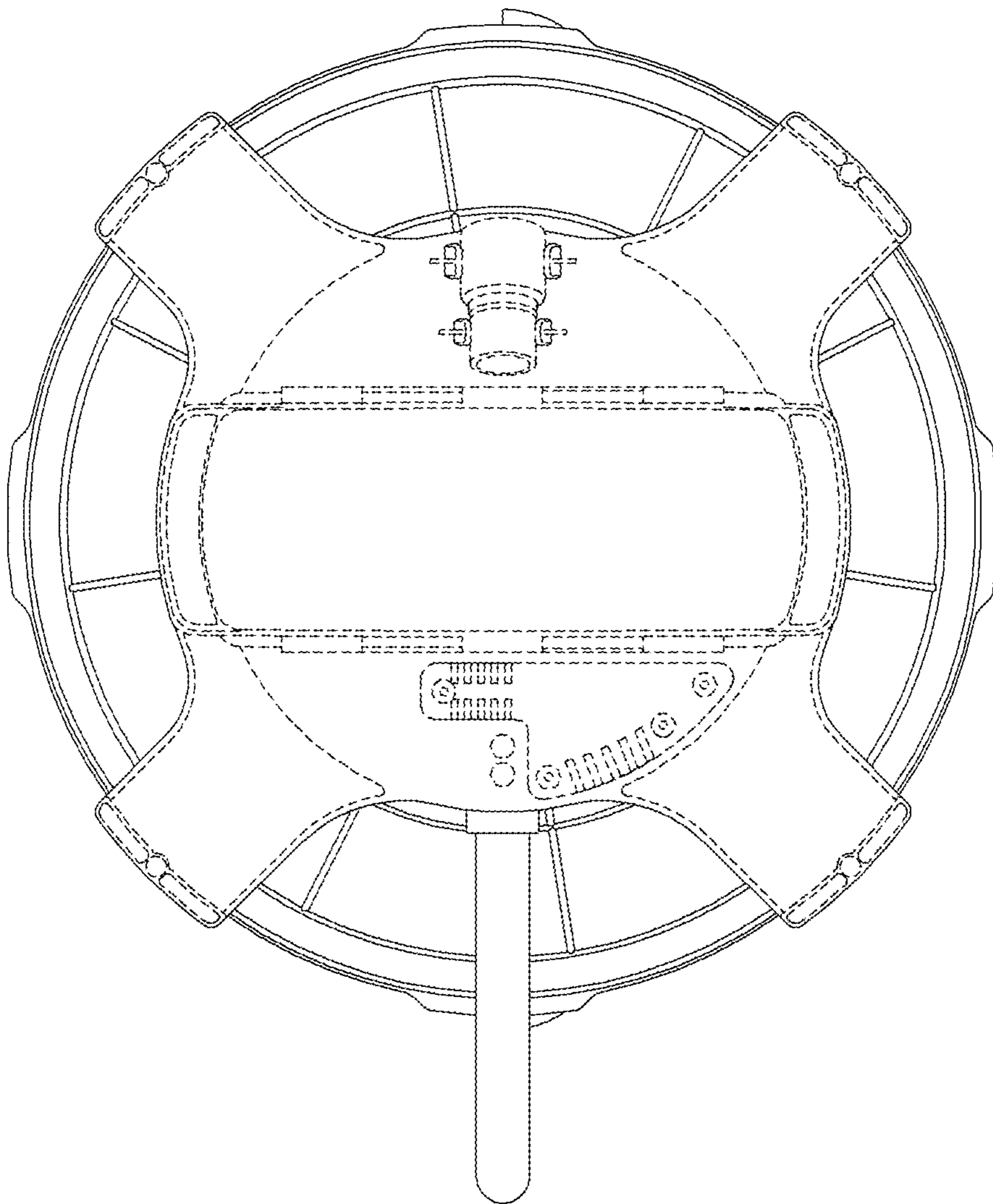


FIG. 8

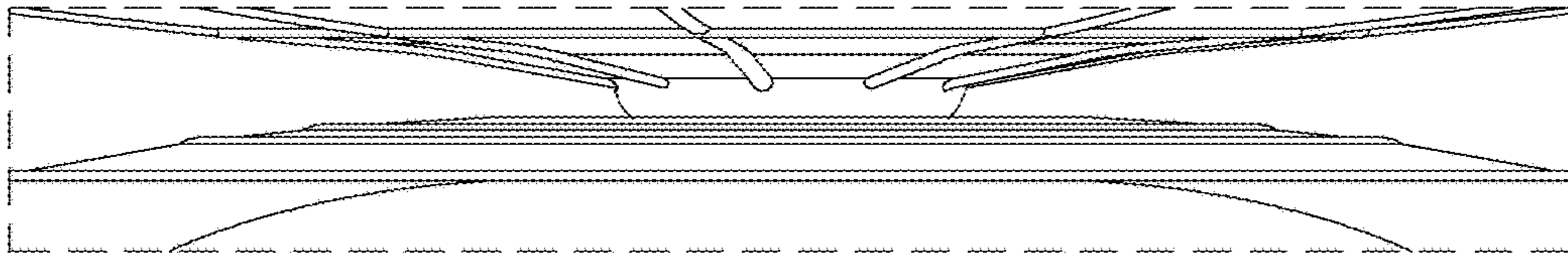


FIG. 9

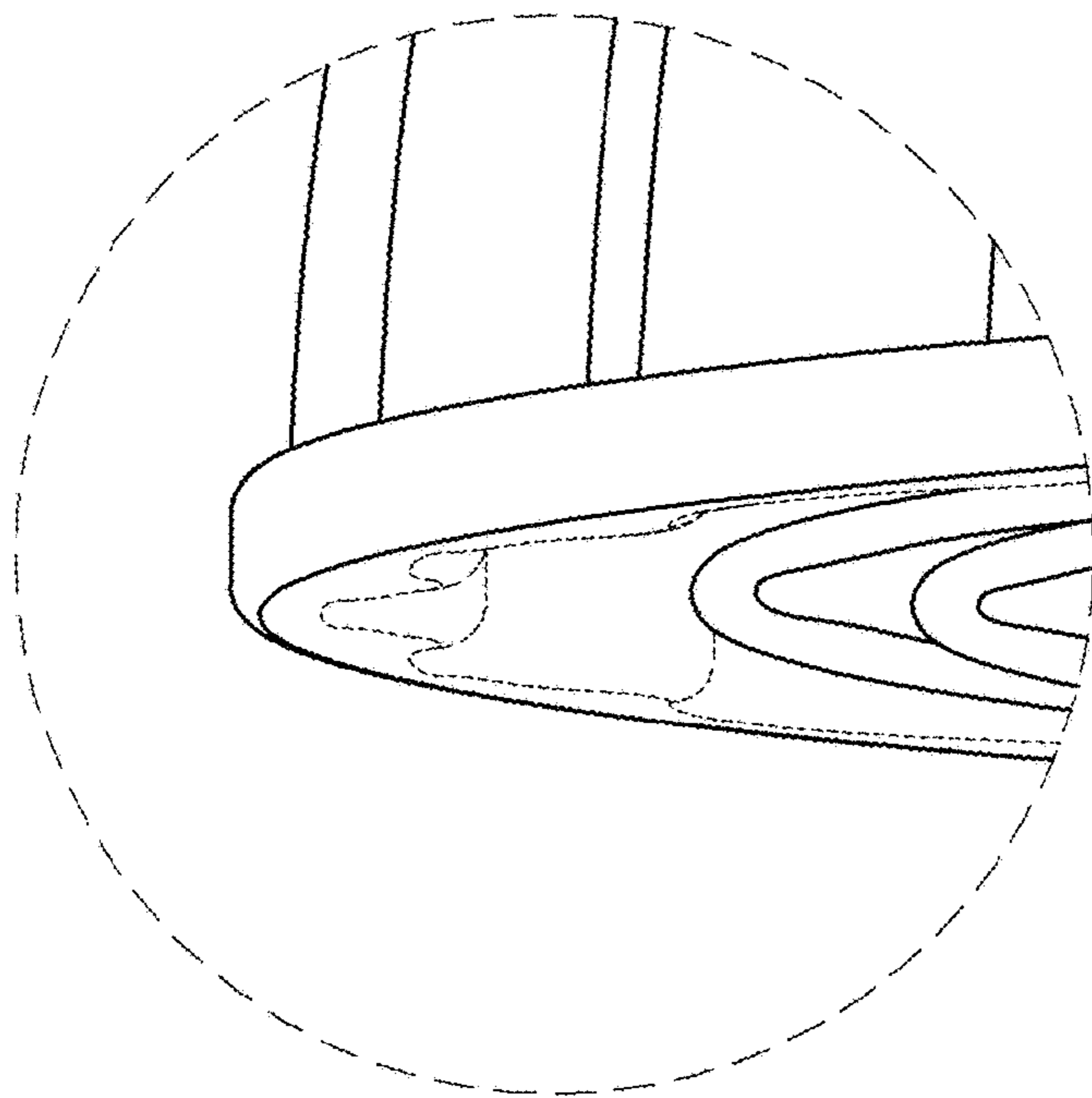


FIG. 10

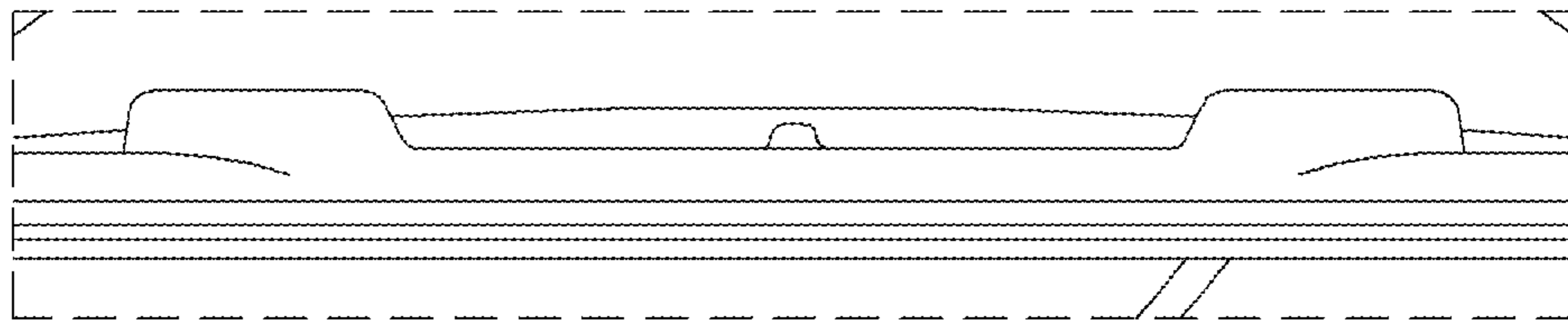


FIG. 11

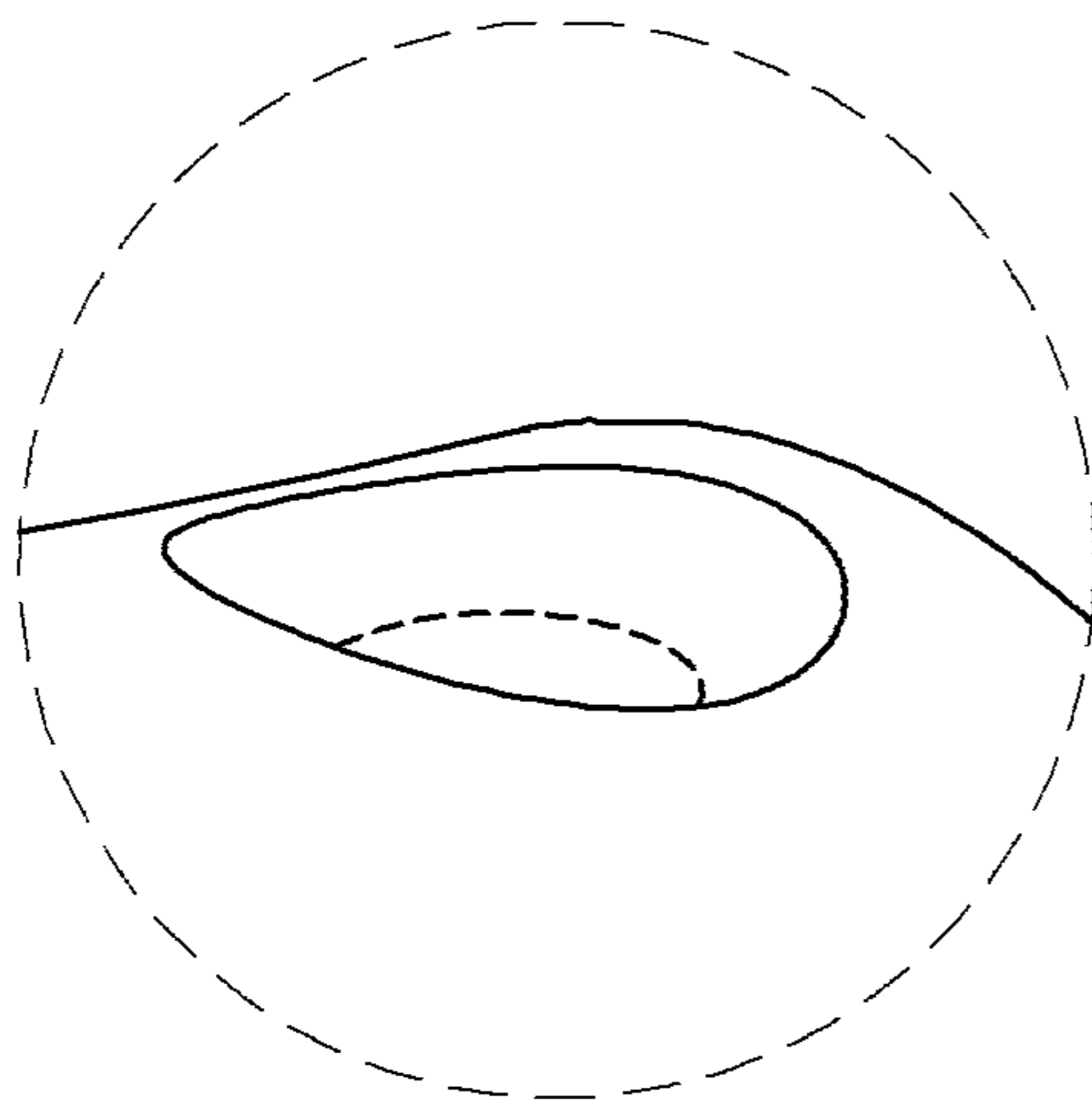


FIG. 12

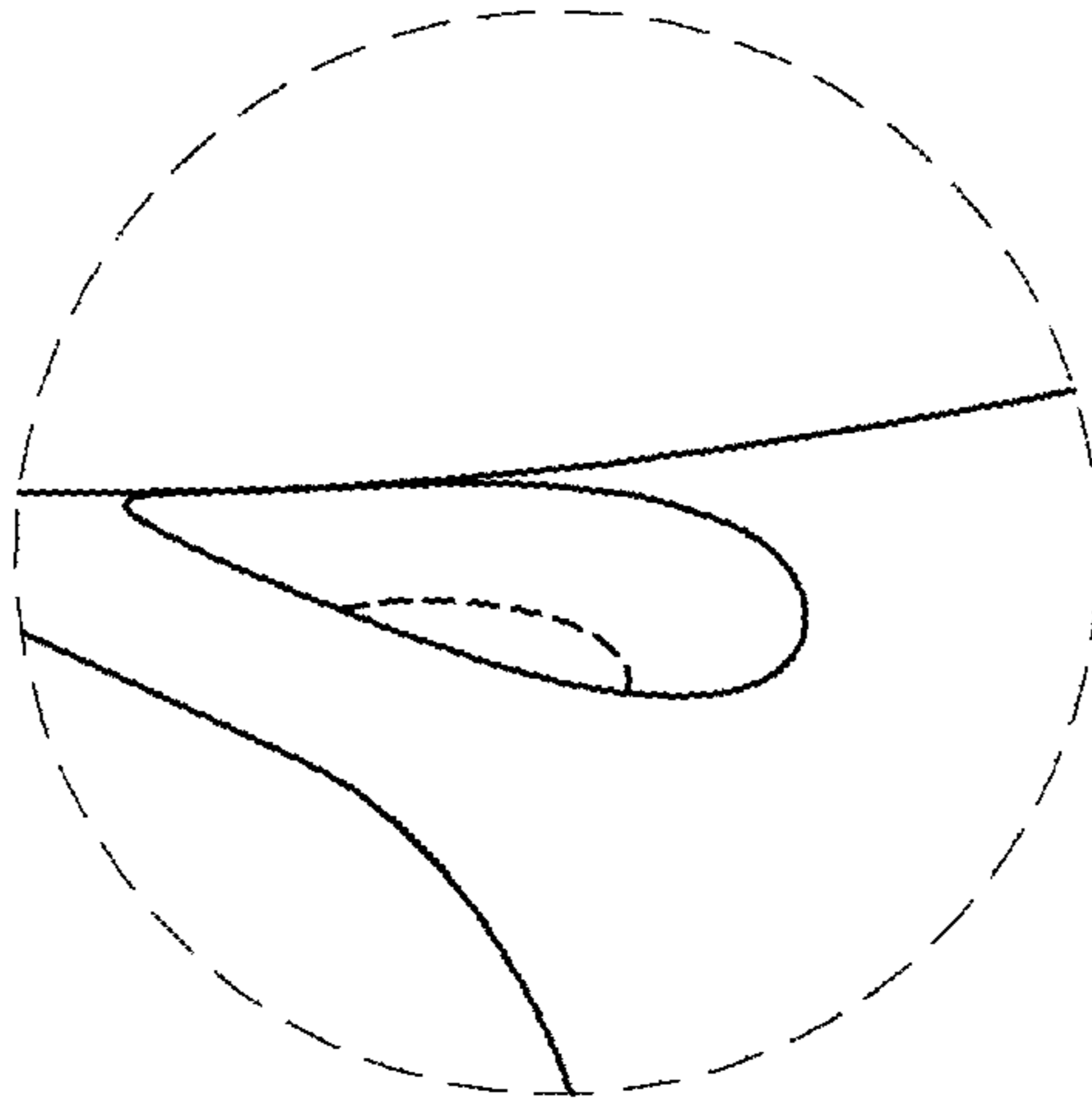


FIG. 13

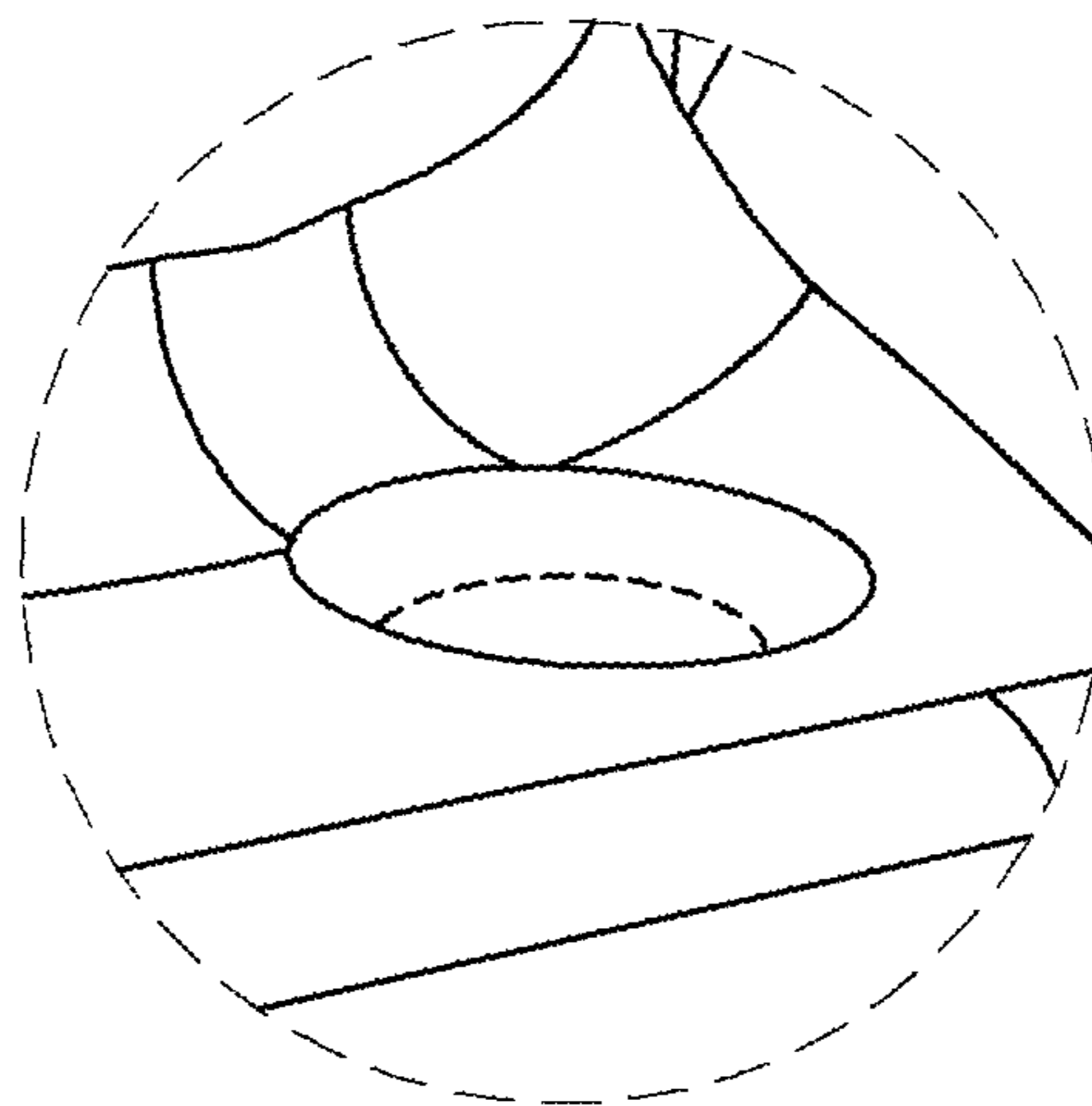


FIG. 14

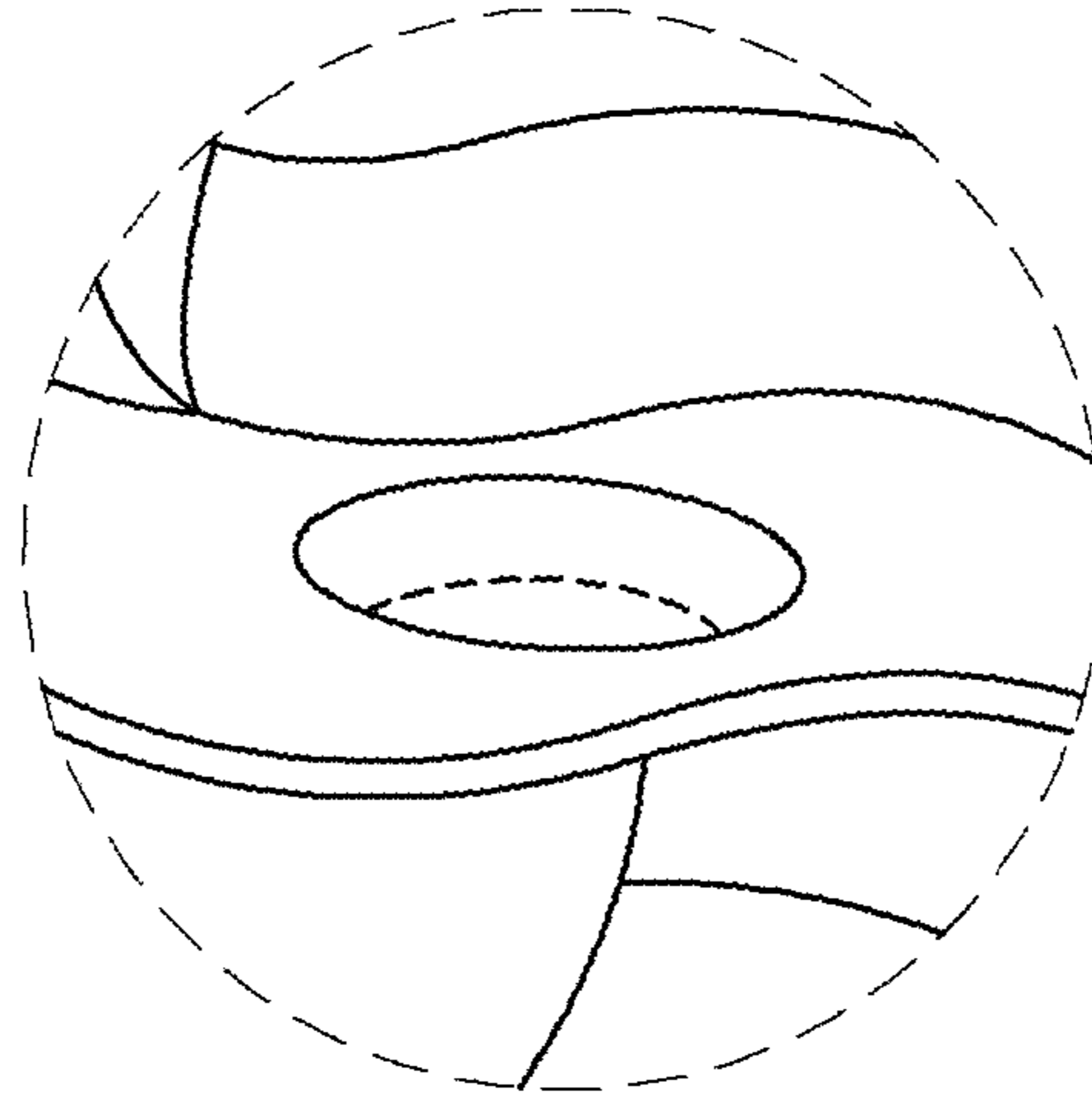


FIG. 15

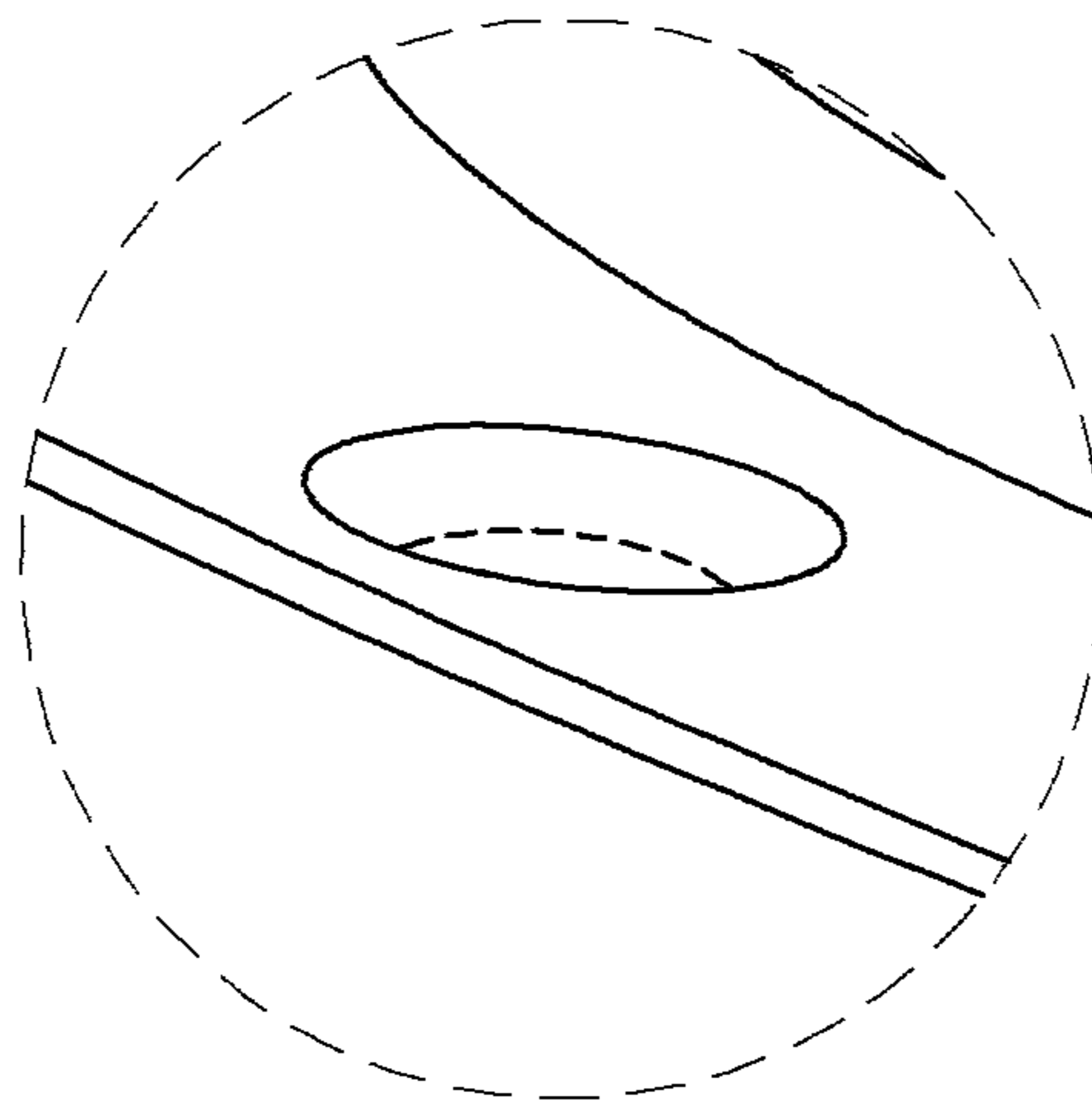


FIG. 16

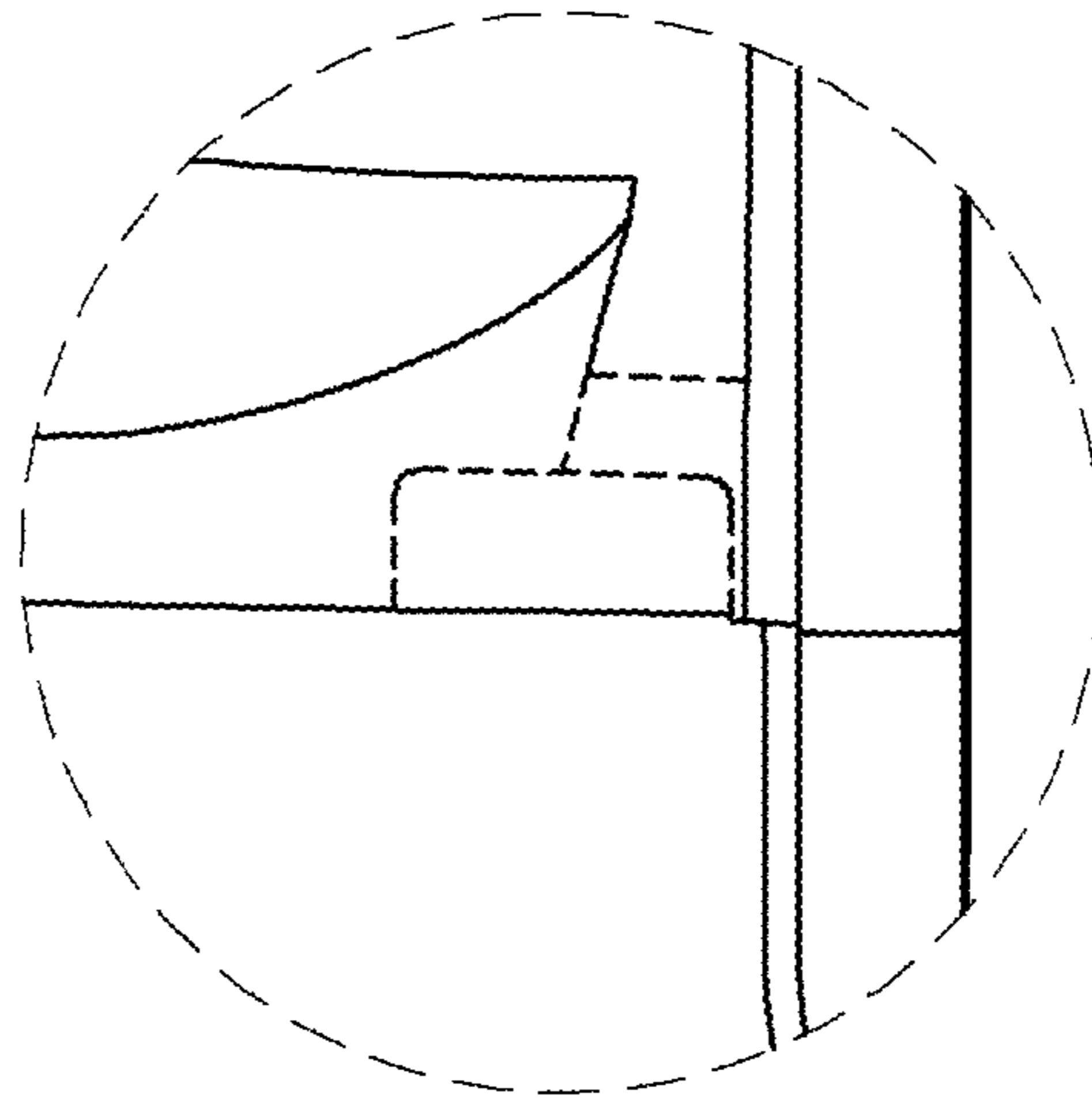


FIG. 17

