



US00D820631S

(12) **United States Design Patent** (10) **Patent No.:** **US D820,631 S**
Ye et al. (45) **Date of Patent:** **** Jun. 19, 2018**

(54) **COOKER**
(71) Applicant: **Hamilton Beach Brands, Inc.**, Glen Allen, VA (US)
(72) Inventors: **Guoyao Ye**, Glen Allen, VA (US); **Spencer Dodge**, Centerville, UT (US); **Hee Seung Lim**, Seoul (KR); **Jonathan Dalton**, Atlanta, GA (US)
(73) Assignee: **Hamilton Beach Brands, Inc.**, Glen Allen, VA (US)

(**) Term: **15 Years**

(21) Appl. No.: **29/586,537**

(22) Filed: **Dec. 5, 2016**

(51) **LOC (11) Cl.** **07-02**

(52) **U.S. Cl.**
USPC **D7/357**

(58) **Field of Classification Search**
USPC D7/323, 337, 339-341, 352, 354-358, D7/360-367, 393, 402-403, 407-411, D7/601, 605, 629, 701, 703; D9/761
CPC A21B 1/06; A21B 1/50; A21B 1/52; A47J 37/04; A47J 37/06; A47J 37/015; A47J 37/067; A47J 37/0611; A47J 37/0629; A47J 37/0676; A47J 37/108; F24C 7/06; F24C 7/083; F24C 15/02; F24C 15/66; H05B 3/20; H05B 3/40
See application file for complete search history.

(56) **References Cited**

U.S. PATENT DOCUMENTS

2,258,145 A * 10/1941 Woodman A47J 37/015
220/212.5
2,266,901 A * 12/1941 Parsons A47J 37/015
126/261
2,341,648 A * 2/1944 Parr A47J 37/015
219/406

D247,946 S * 5/1978 Painter D7/360
5,265,522 A 11/1993 Schultz
6,172,339 B1 1/2001 Thevenim
6,274,847 B1 8/2001 Hlava et al.
D451,335 S * 12/2001 Rossman D7/360
6,362,459 B1 * 3/2002 Schmidt A47J 37/0623
219/399
6,498,323 B1 * 12/2002 Robertson, Jr. A47J 27/004
219/433
6,515,262 B1 2/2003 Li
6,573,483 B1 6/2003 DeCobert et al.
6,740,855 B1 5/2004 DeCobert et al.

(Continued)

FOREIGN PATENT DOCUMENTS

WO WO96057861 A 2/1996

OTHER PUBLICATIONS

3.5 Quart Casserole Slow Cooker, posted at Hamiltonbeach.com, posted on ©2018, site visited Jan. 31, 2018, <<https://www.hamiltonbeach.com/3-quart-casserole-slow-cooker-33444>>.*

(Continued)

Primary Examiner — Barbara G Fox
Assistant Examiner — Messina L Smith
(74) *Attorney, Agent, or Firm* — Alexander D. Raring

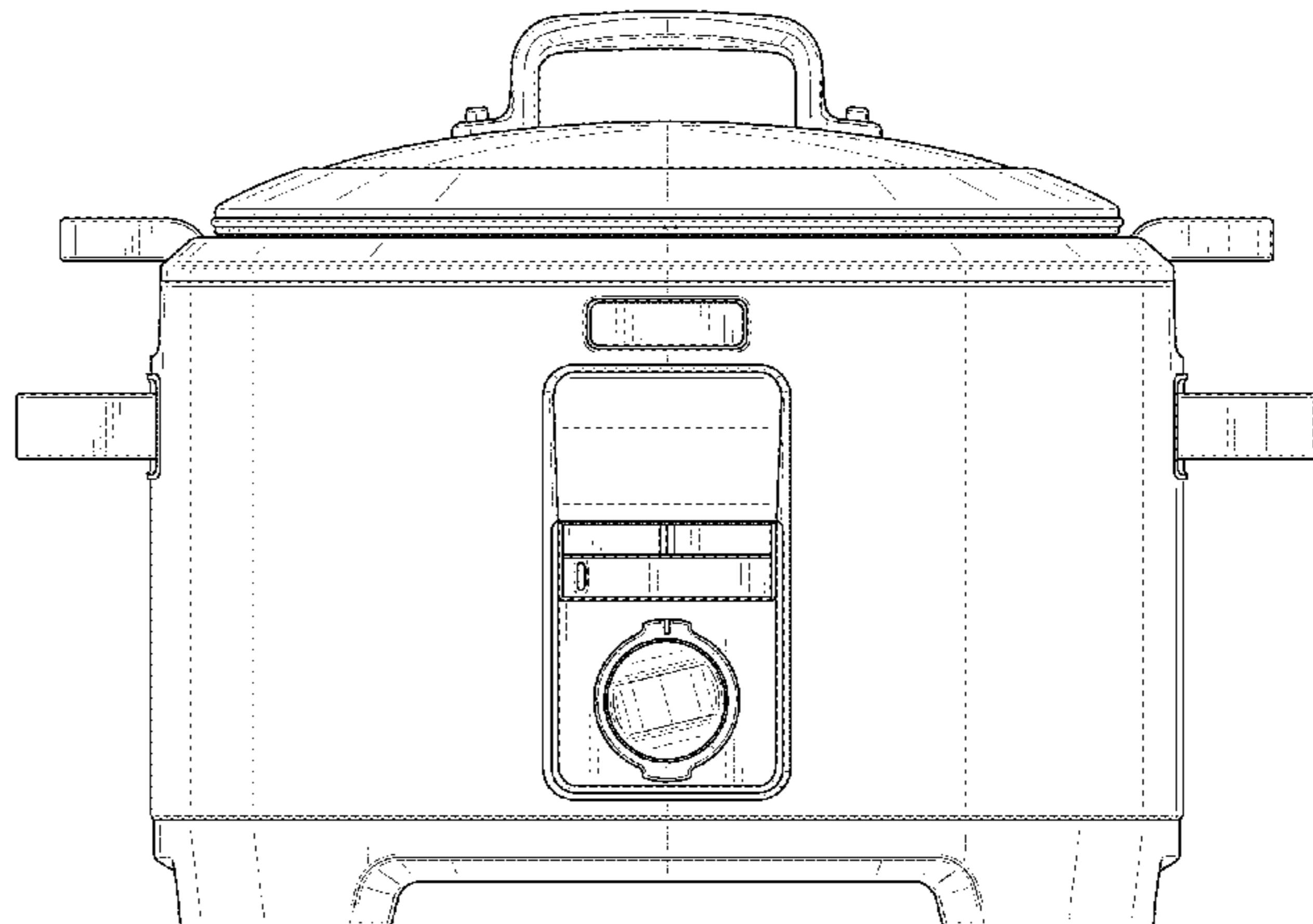
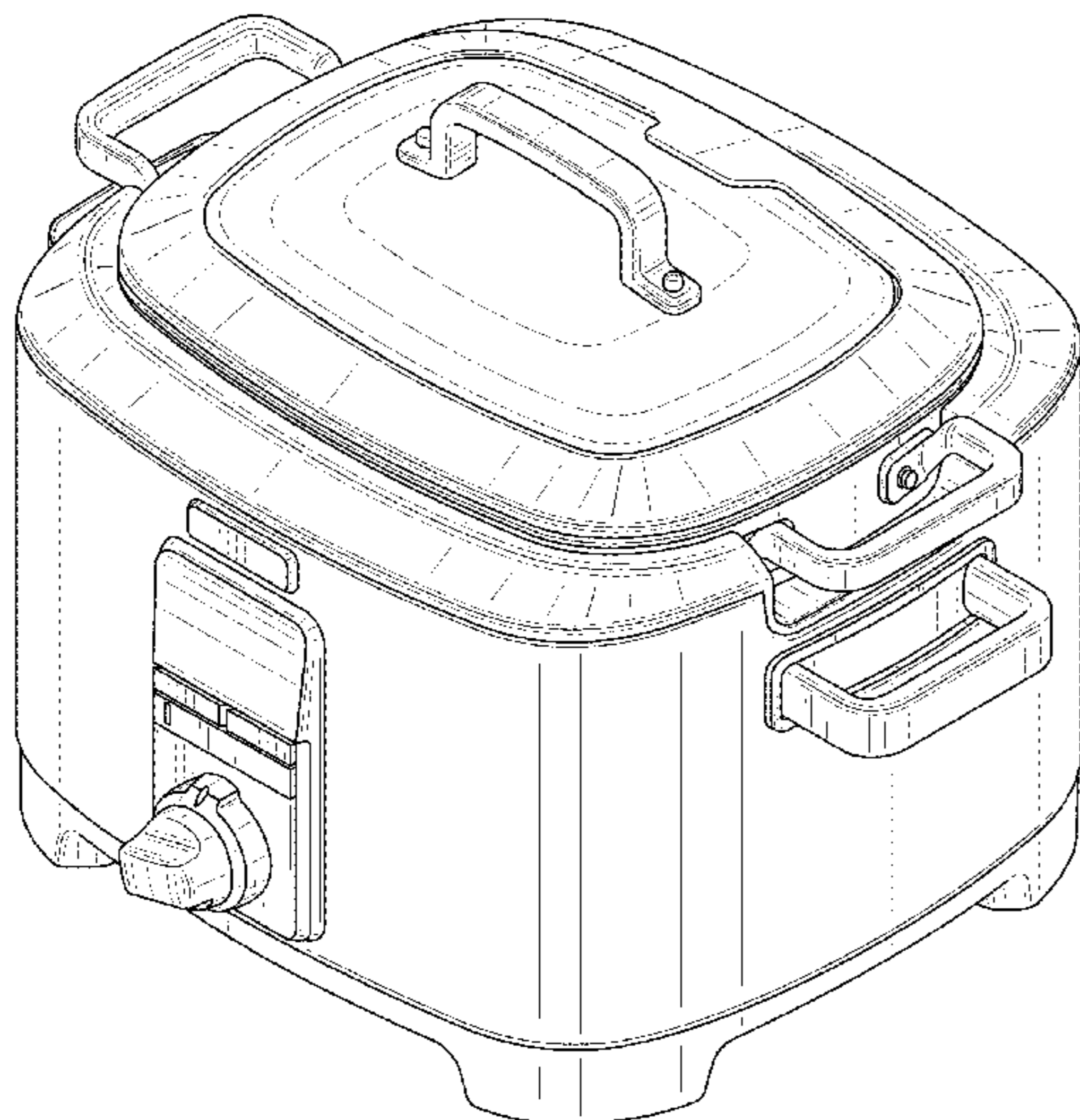
(57) **CLAIM**

The ornamental design for a cooker, as shown and described.

DESCRIPTION

FIG. 1 is a perspective view as seen from the top, right and front sides of a cooker showing the new design;
FIG. 2 is a front view thereof;
FIG. 3 is a rear view thereof;
FIG. 4 is a left side view thereof;
FIG. 5 is a right side view thereof;
FIG. 6 is a top view thereof; and,
FIG. 7 is a bottom view thereof.

1 Claim, 7 Drawing Sheets



(56)

References Cited

U.S. PATENT DOCUMENTS

6,872,921 B1 3/2005 DeCobert et al.
 7,291,812 B2 11/2007 Kaney et al.
 7,312,425 B2 12/2007 DeCobert et al.
 7,339,140 B2* 3/2008 Tidey A47J 36/12
 126/275 R
 D620,744 S * 8/2010 Rose D7/354
 7,820,947 B2 10/2010 Gaynor et al.
 D644,476 S * 9/2011 Gregory D7/354
 D646,114 S * 10/2011 Wong D7/354
 D657,993 S * 4/2012 Pantaleo D7/354
 D697,363 S * 1/2014 Tu D7/354
 8,648,282 B2* 2/2014 Garcia A47J 27/004
 219/432
 9,191,998 B2 11/2015 Hegedis et al.
 9,241,592 B2 1/2016 Kounlavong et al.
 D788,517 S * 6/2017 Barquin D7/354
 2004/0079747 A1* 4/2004 Wang A47J 27/004
 219/438
 2008/0083730 A1 4/2008 Dolgor et al.

2012/0288595 A1 11/2012 Randall et al.
 2015/0257574 A1 9/2015 Hoare et al.
 2016/0143471 A1 5/2016 Kounlavong et al.

OTHER PUBLICATIONS

Hamilton Beach® Professional Sous Vide and 6QT Slow Cooker, posted at Hamiltonbeach.com, posted on ©2018, site visited Jan. 31, 2018, <<https://www.hamiltonbeach.com/hamilton-beach-professional-sous-vide-and-6qt-slow-cooker-33970>>.*
 Hamilton Beach Professional Sous Vide Water Oven & Slow Cooker, posted at Amazon.com, posted on Aug. 4, 2016, site visited Jan. 31, 2018, <https://www.amazon.com/Hamilton-Beach-Professional-Programmable-33970/dp/B01JOZSGIE/ref=sr_1_27?ie=UTF8&qid=1517416044&sr=8-27&keywords=HAMILTON+BEACH+COOKER>.*
 How to Buy the Best Slow Cooker, posted at Dish.allrecipes.com, no posting date given, site visited Jan. 31, 2018, <<http://dish.allrecipes.com/how-to-buy-the-best-slow-cooker/>>.*

* cited by examiner

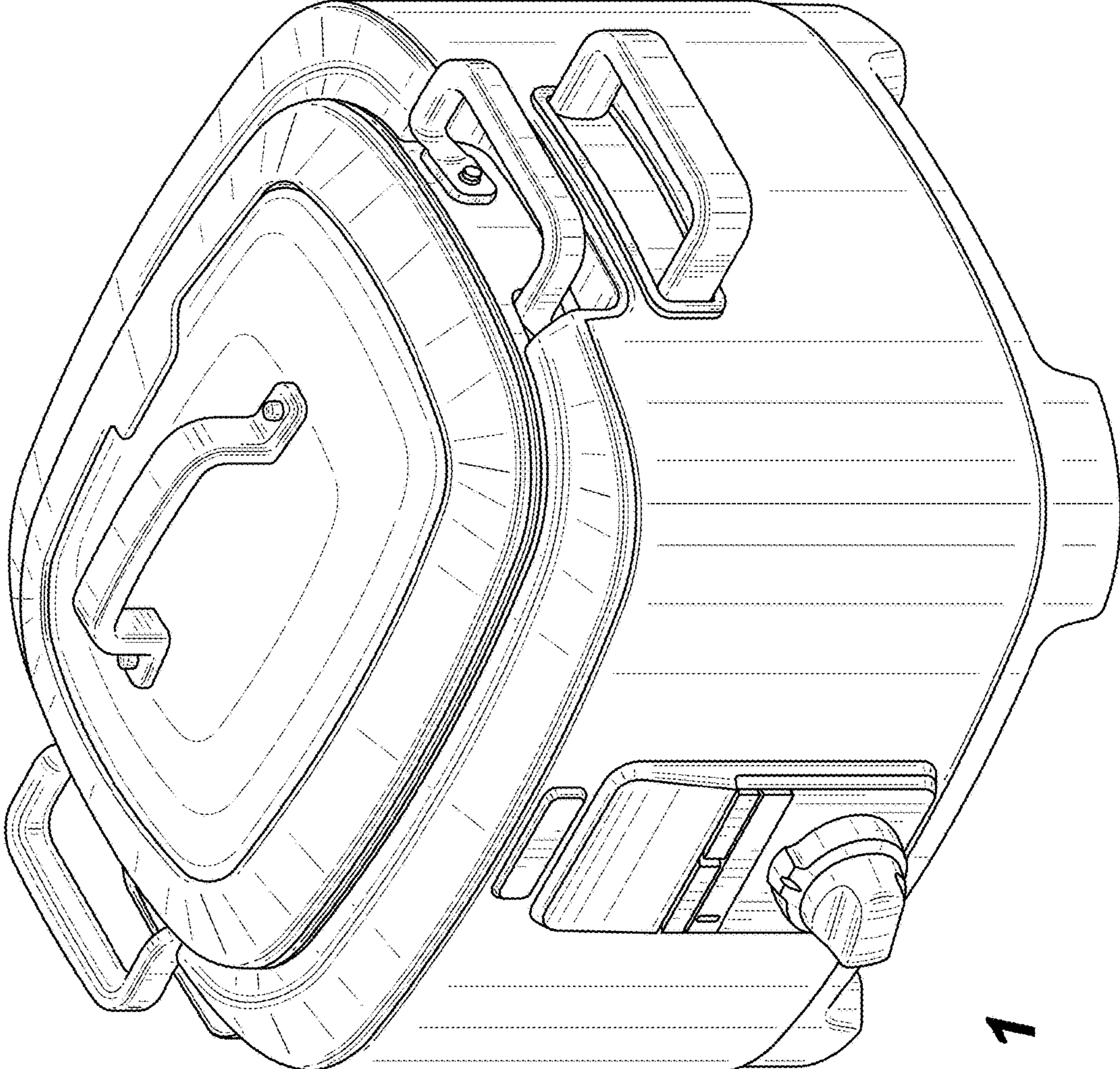


FIG. 1

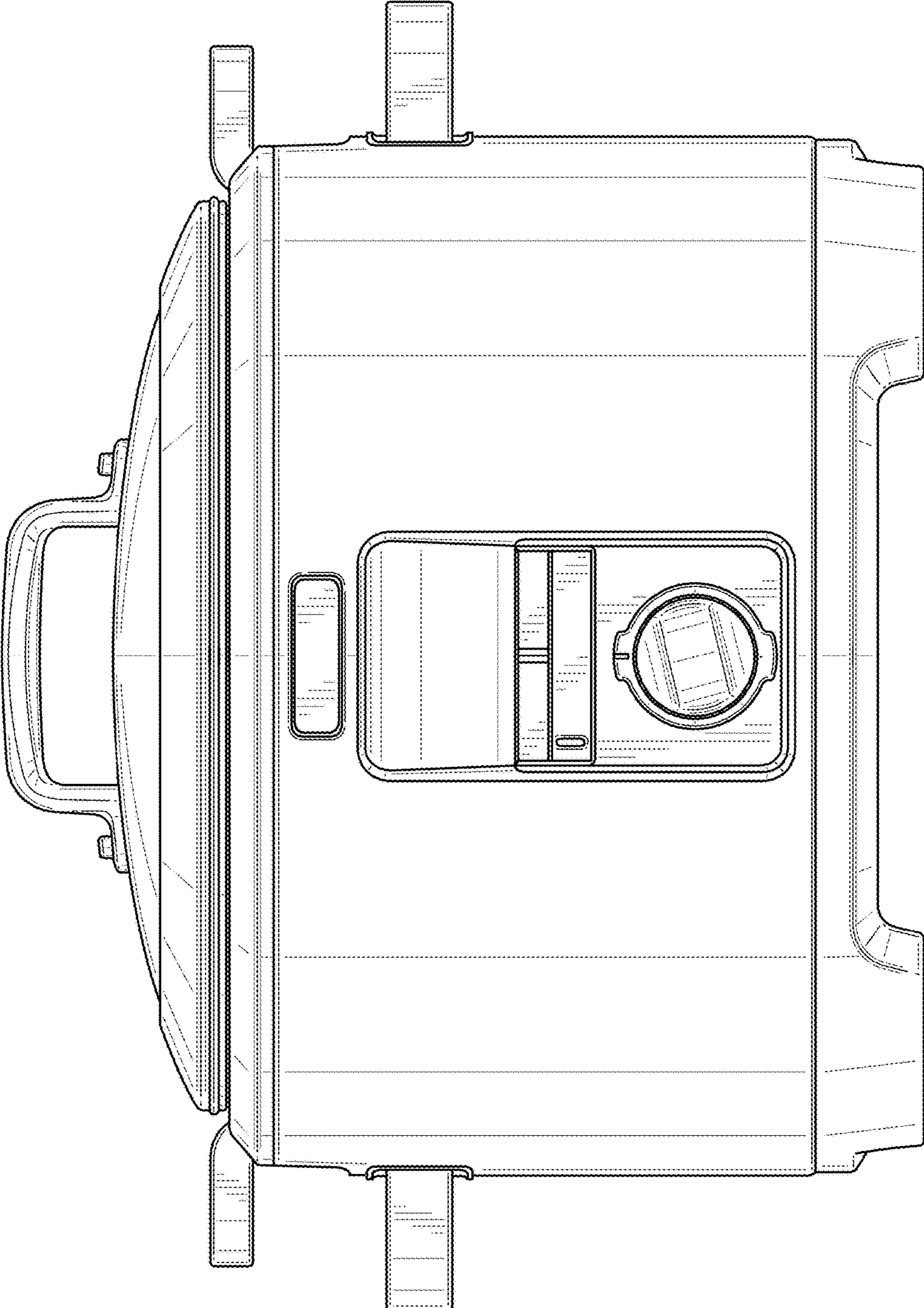


FIG. 2

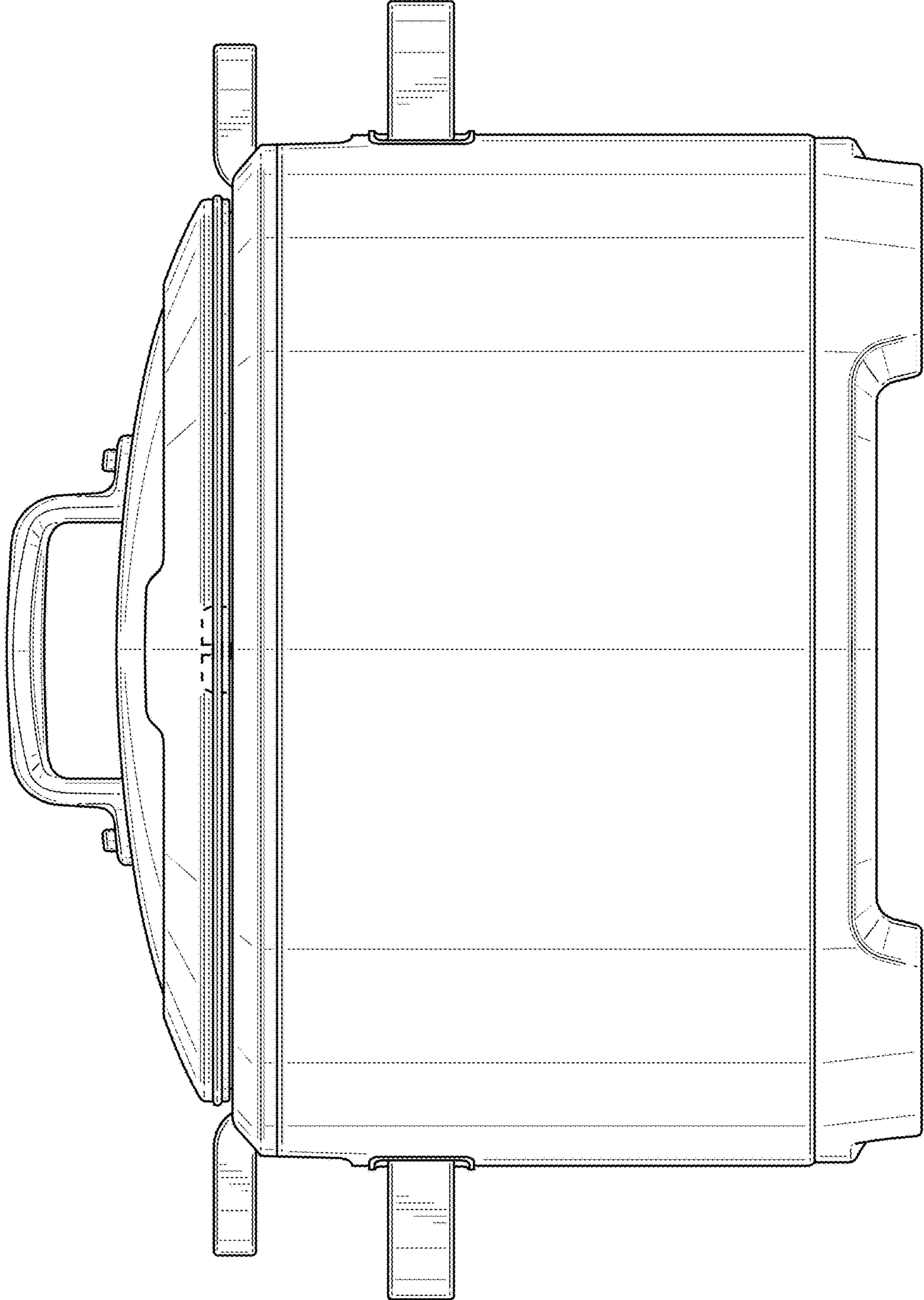


FIG. 3

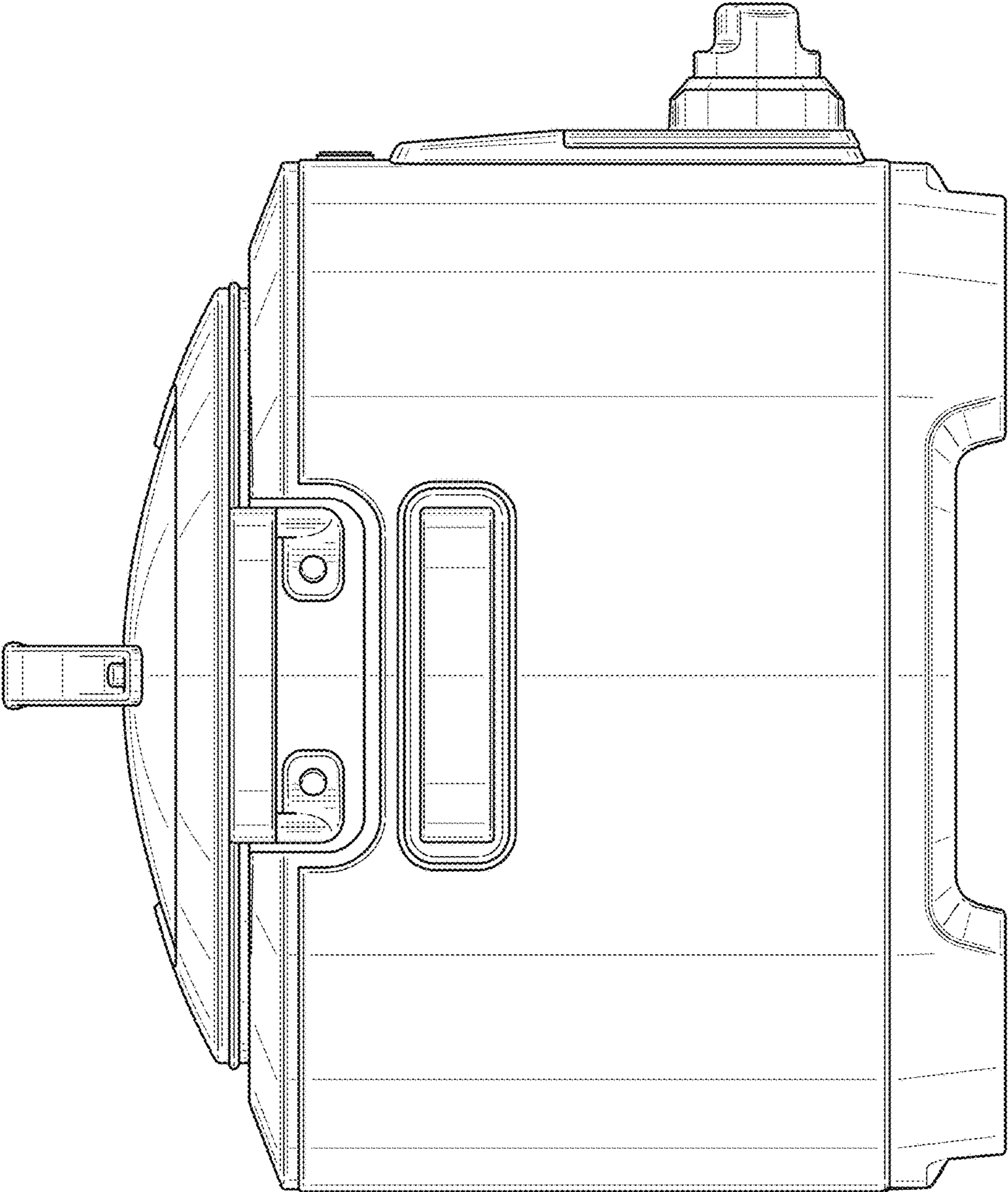


FIG. 4

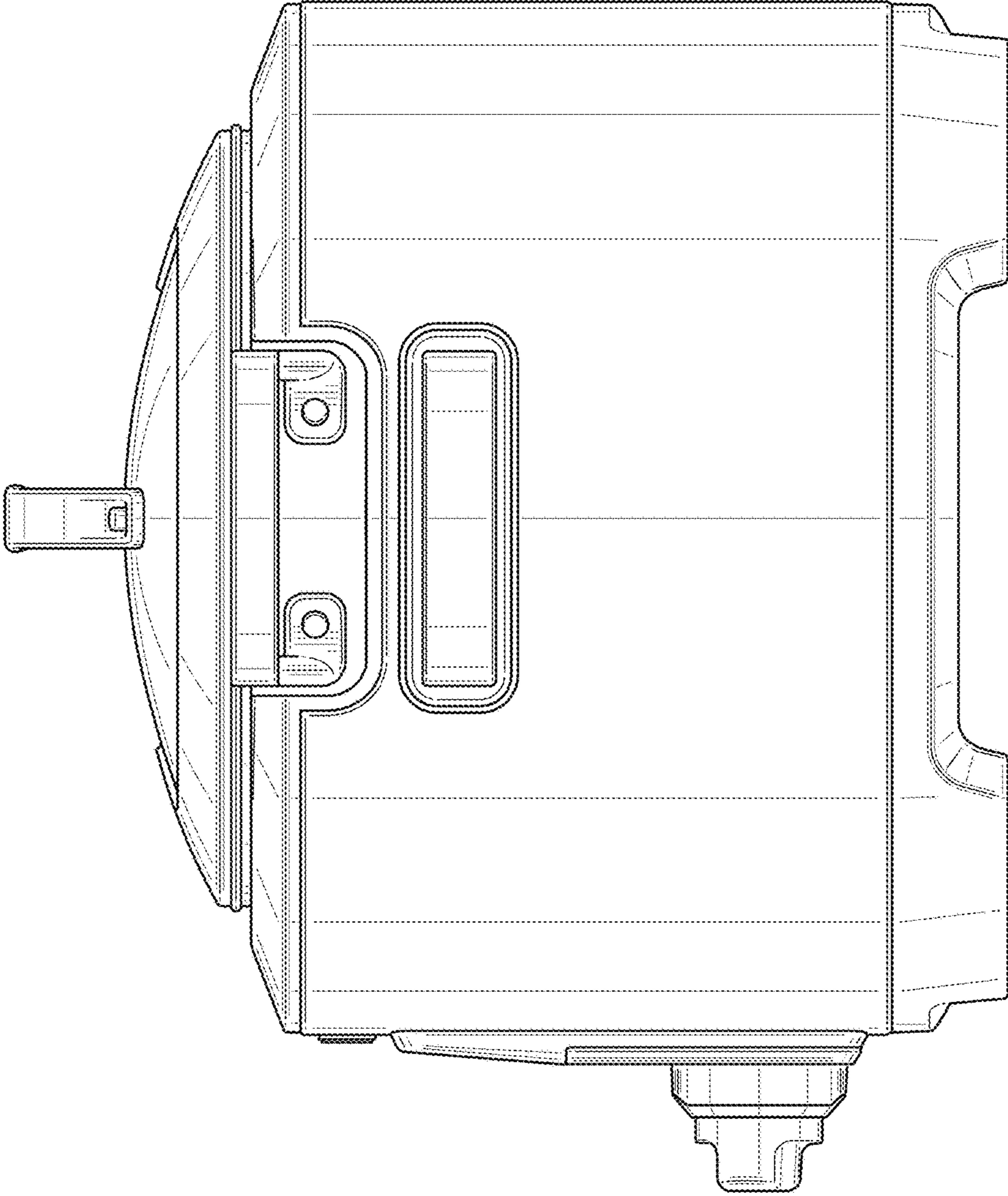


FIG. 5

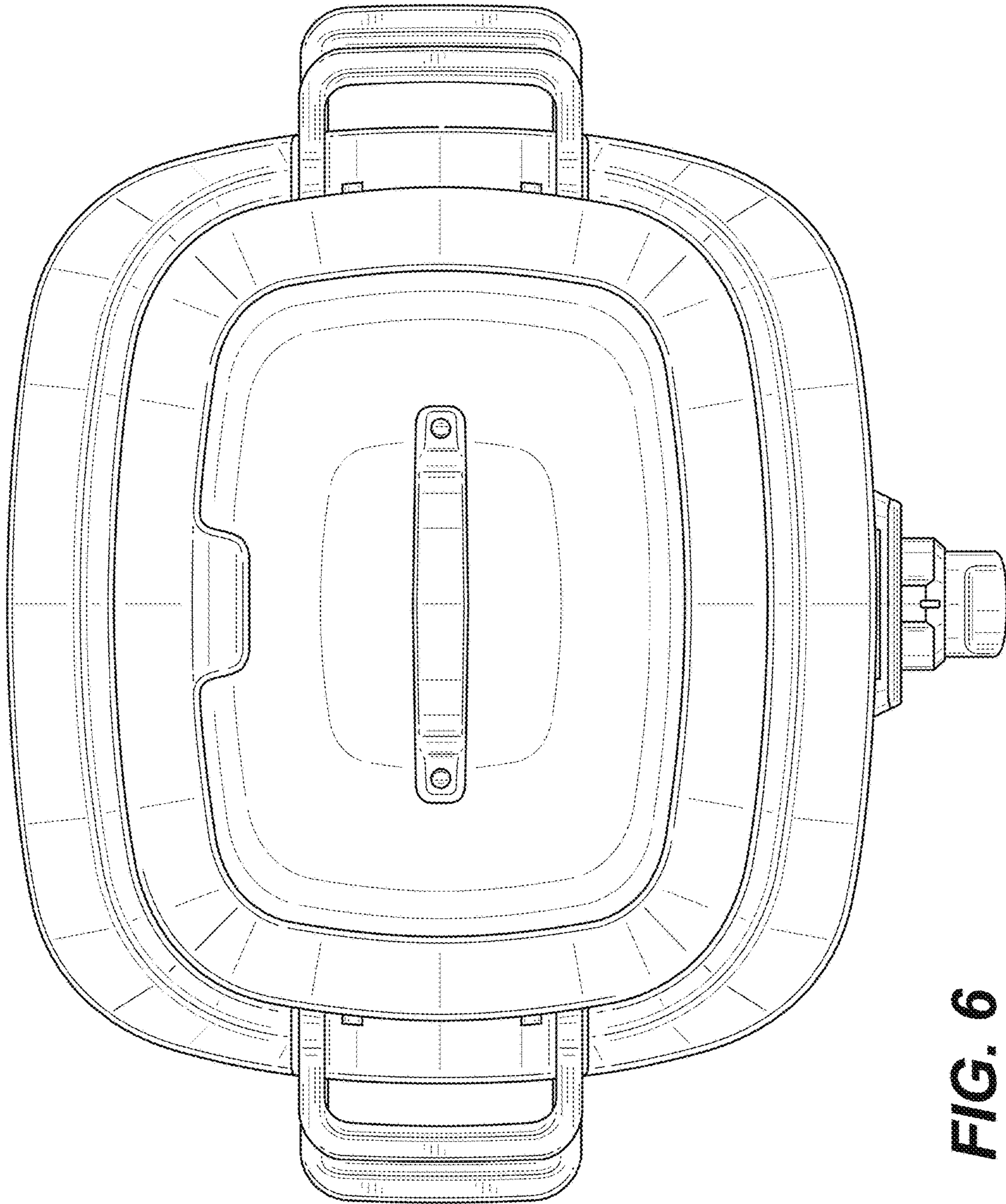


FIG. 6

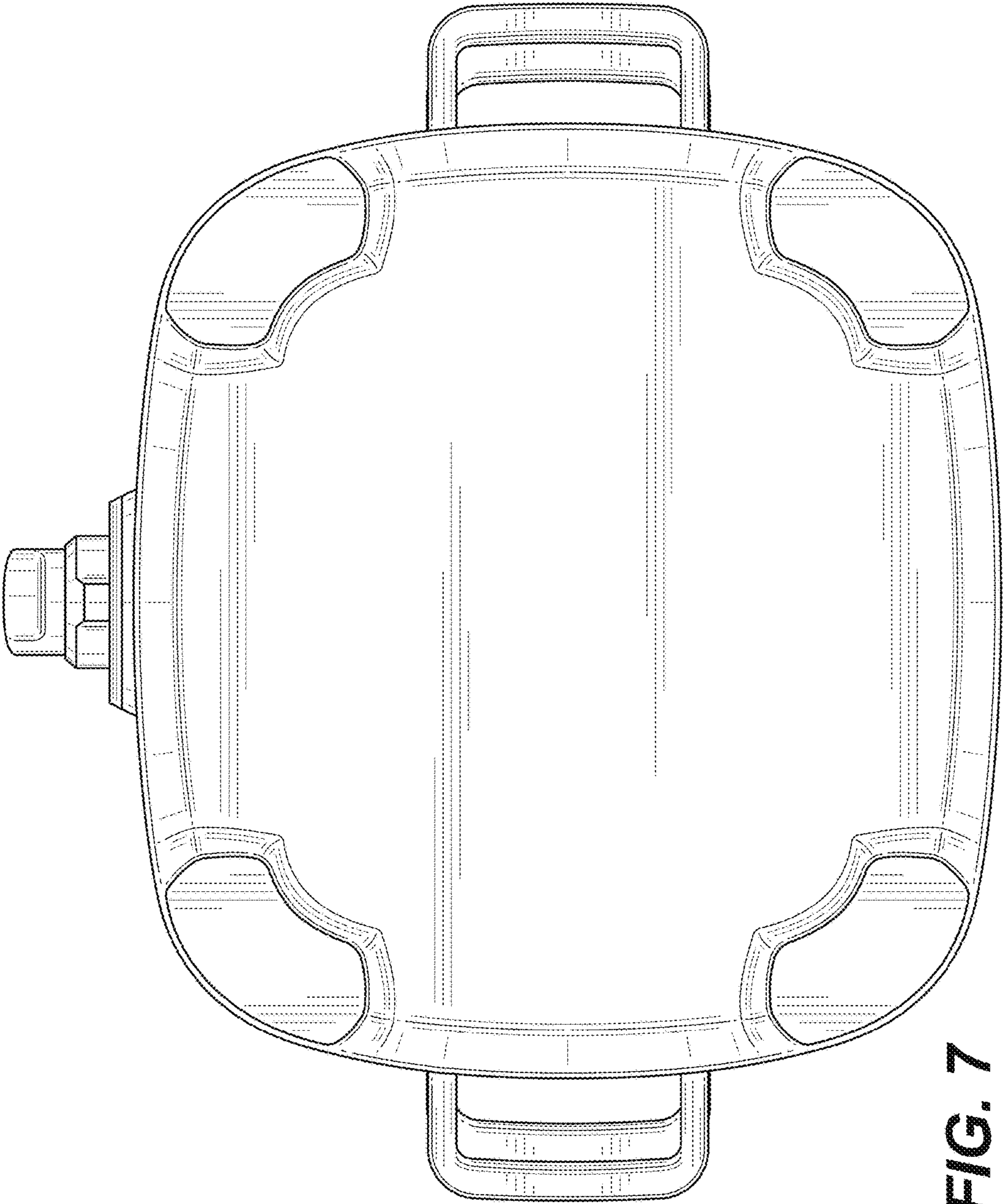


FIG. 7