



US00D820629S

(12) **United States Design Patent** (10) **Patent No.:** **US D820,629 S**  
**Lum et al.** (45) **Date of Patent:** **\*\* Jun. 19, 2018**

(54) **BAKING TRAY**  
(71) Applicant: **LDA, LLC**, Irvine, CA (US)  
(72) Inventors: **Myk Lum**, Irvine, CA (US); **Yoon Kim**, Buena Park, CA (US)  
(73) Assignee: **LDA, LLC**, Irvine, CA (US)  
(\*\*) Term: **15 Years**

D489,575 S \* 5/2004 De Neubourg ..... D7/554.3  
D493,256 S \* 7/2004 Kim ..... D24/230  
D493,670 S \* 8/2004 De Neubourg ..... D7/554.3  
D495,920 S \* 9/2004 Isler ..... D7/354  
D575,095 S \* 8/2008 Schreiber-Pethan ..... D7/354  
D578,811 S \* 10/2008 Gervasi ..... D6/705  
D581,203 S \* 11/2008 Simon ..... D7/354  
D583,615 S \* 12/2008 Simon ..... D7/354  
D588,396 S \* 3/2009 Millsap ..... D7/354  
D592,500 S \* 5/2009 Colacitti ..... D7/354

(Continued)

(21) Appl. No.: **29/567,170**  
(22) Filed: **Jun. 6, 2016**  
(51) **LOC (11) Cl.** ..... **07-02**  
(52) **U.S. Cl.**  
USPC ..... **D7/354; D7/554.3**  
(58) **Field of Classification Search**  
USPC ..... D7/323, 354, 356, 359, 396.6, 402, 541,  
D7/542, 546, 549, 550.1-554.4, 555,  
D7/607-608; D30/123, 129; D9/761  
CPC ..... A21B 3/133; A21B 3/15; A21B 3/143;  
A21B 5/00; A21B 5/02; A47J 36/022;  
B65D 81/00; A47G 23/06; B44D 3/126;  
A01K 5/0114  
See application file for complete search history.

FOREIGN PATENT DOCUMENTS

DE 102011084816 A1 4/2013  
EP 0916900 A2 5/1999

*Primary Examiner* — Caron D Veynar  
*Assistant Examiner* — Mehri F Bajoul  
(74) *Attorney, Agent, or Firm* — Stetina Brunda Garred & Brucker

(57) **CLAIM**

The ornamental design for a baking tray, as shown and described.

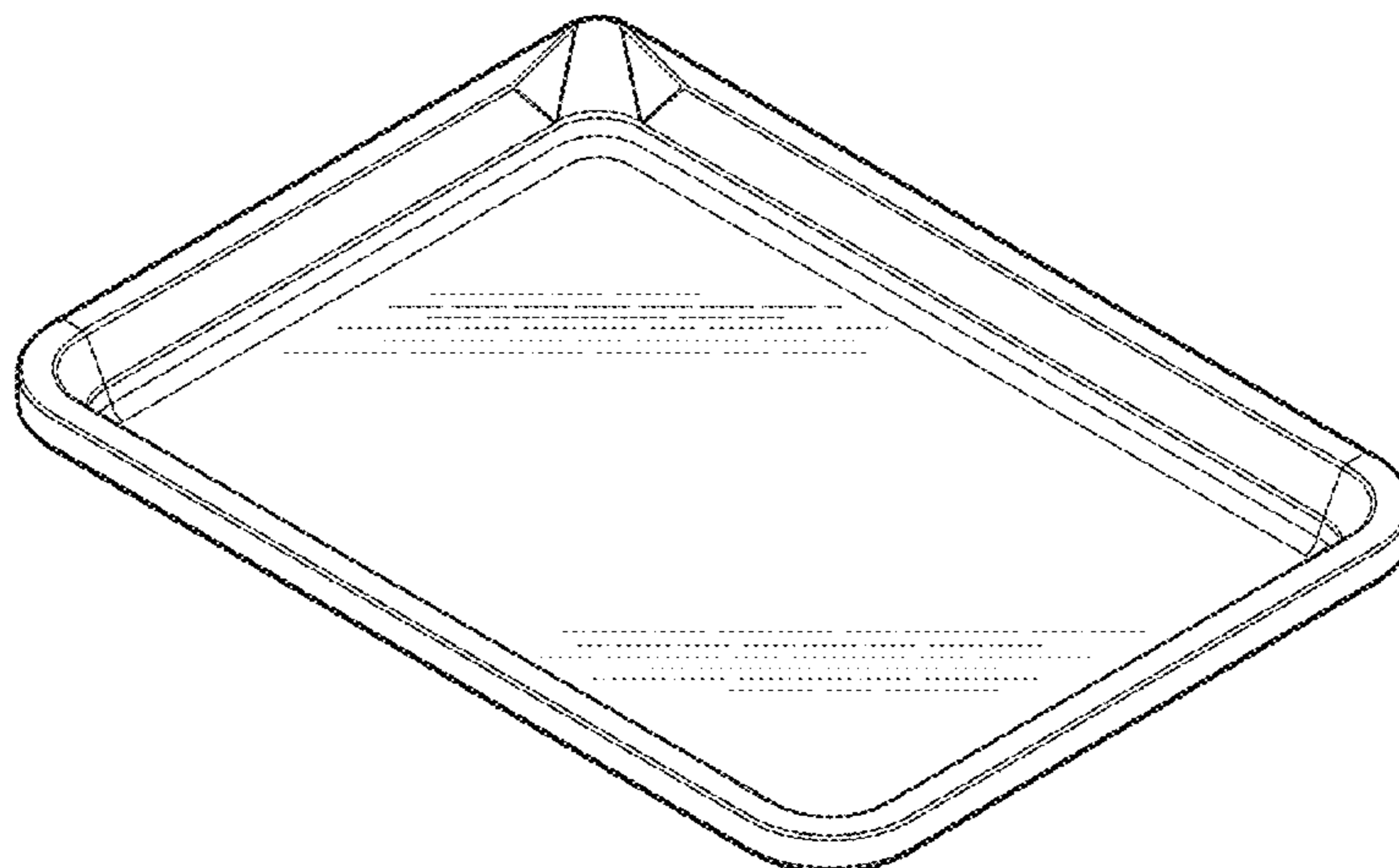
**DESCRIPTION**

FIG. 1 is a perspective view showing a first embodiment of the baking tray of the present invention;  
FIG. 2 is a top plan view thereof;  
FIG. 3 is a bottom plan view thereof;  
FIG. 4 is a front view thereof;  
FIG. 5 is a right side view thereof;  
FIG. 6 is a left side view thereof;  
FIG. 7 is a perspective view showing a second embodiment of the baking tray of the present invention;  
FIG. 8 is a top plan view thereof;  
FIG. 9 is a bottom plan view thereof;  
FIG. 10 is a front view thereof;  
FIG. 11 is a right side view thereof; and,  
FIG. 12 is a left side view thereof.

(56) **References Cited**  
U.S. PATENT DOCUMENTS

2,732,696 A 1/1956 Baker  
3,581,970 A \* 6/1971 Colato ..... A47G 23/06  
220/626  
3,964,378 A 6/1976 Dunkelman  
D288,055 S \* 2/1987 Alexander ..... D7/354  
5,366,208 A 11/1994 Benjamin  
D431,958 S \* 10/2000 Harris ..... D7/354  
D446,993 S \* 8/2001 Zank ..... D7/354  
D446,994 S \* 8/2001 Zank ..... D7/354  
D462,231 S \* 9/2002 Kari ..... D7/354  
D470,712 S \* 2/2003 Swinford ..... D7/360  
D471,397 S \* 3/2003 Wright ..... D7/359  
D472,428 S \* 4/2003 Massaloux ..... D7/554.3

**1 Claim, 12 Drawing Sheets**



(56)

**References Cited**

U.S. PATENT DOCUMENTS

D628,434	S	*	12/2010	Sarnoff	.....	D7/354
D640,895	S	*	7/2011	Tosdale	.....	D7/354
D653,496	S	*	2/2012	Henry	.....	D7/354
D663,570	S	*	7/2012	Sarnoff	.....	D7/354
D702,483	S	*	4/2014	Green	.....	D7/354
D715,596	S	*	10/2014	Osborne	.....	D7/553.5
2012/0055346	A1		3/2012	Navare		

\* cited by examiner

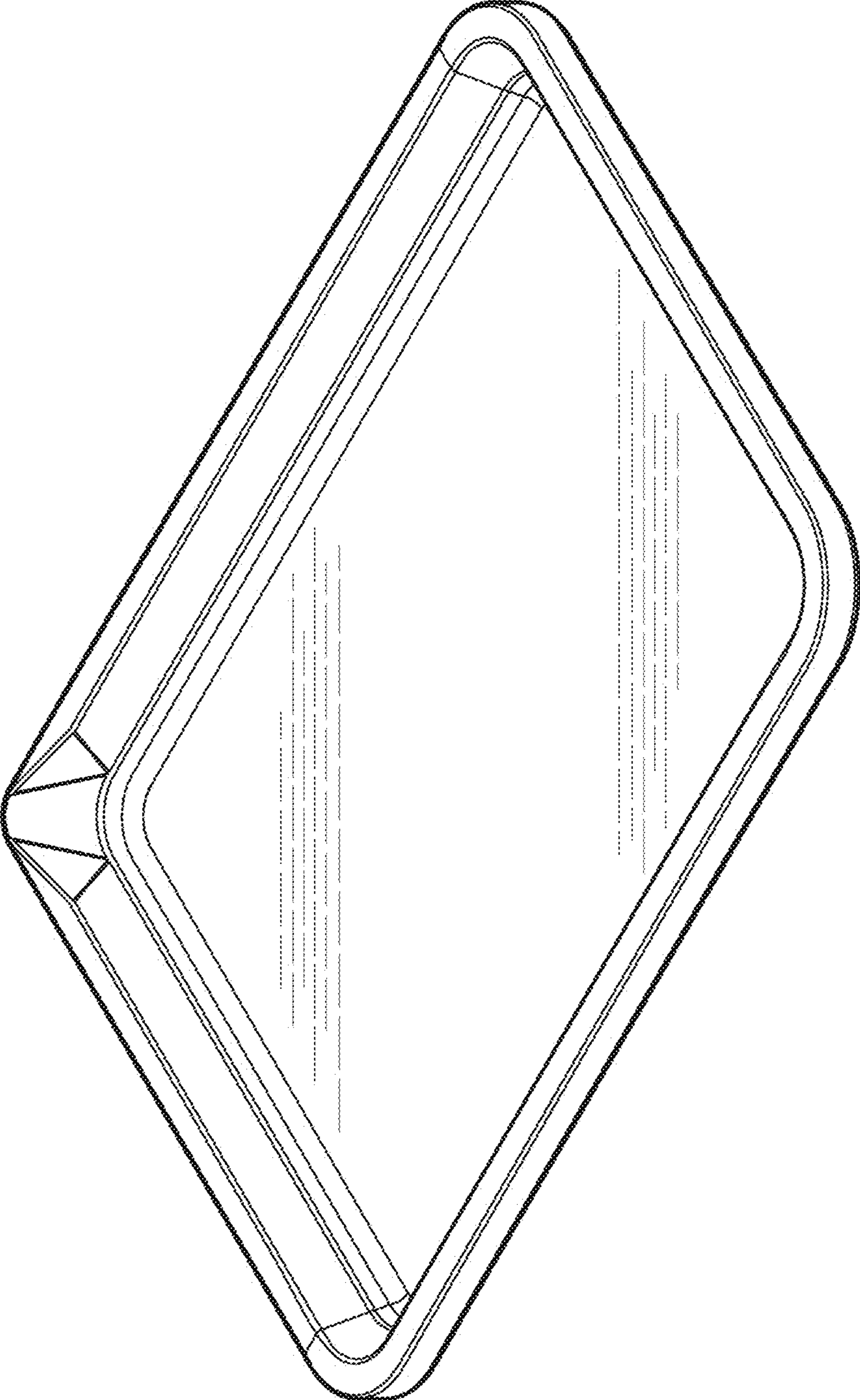


FIG. 1

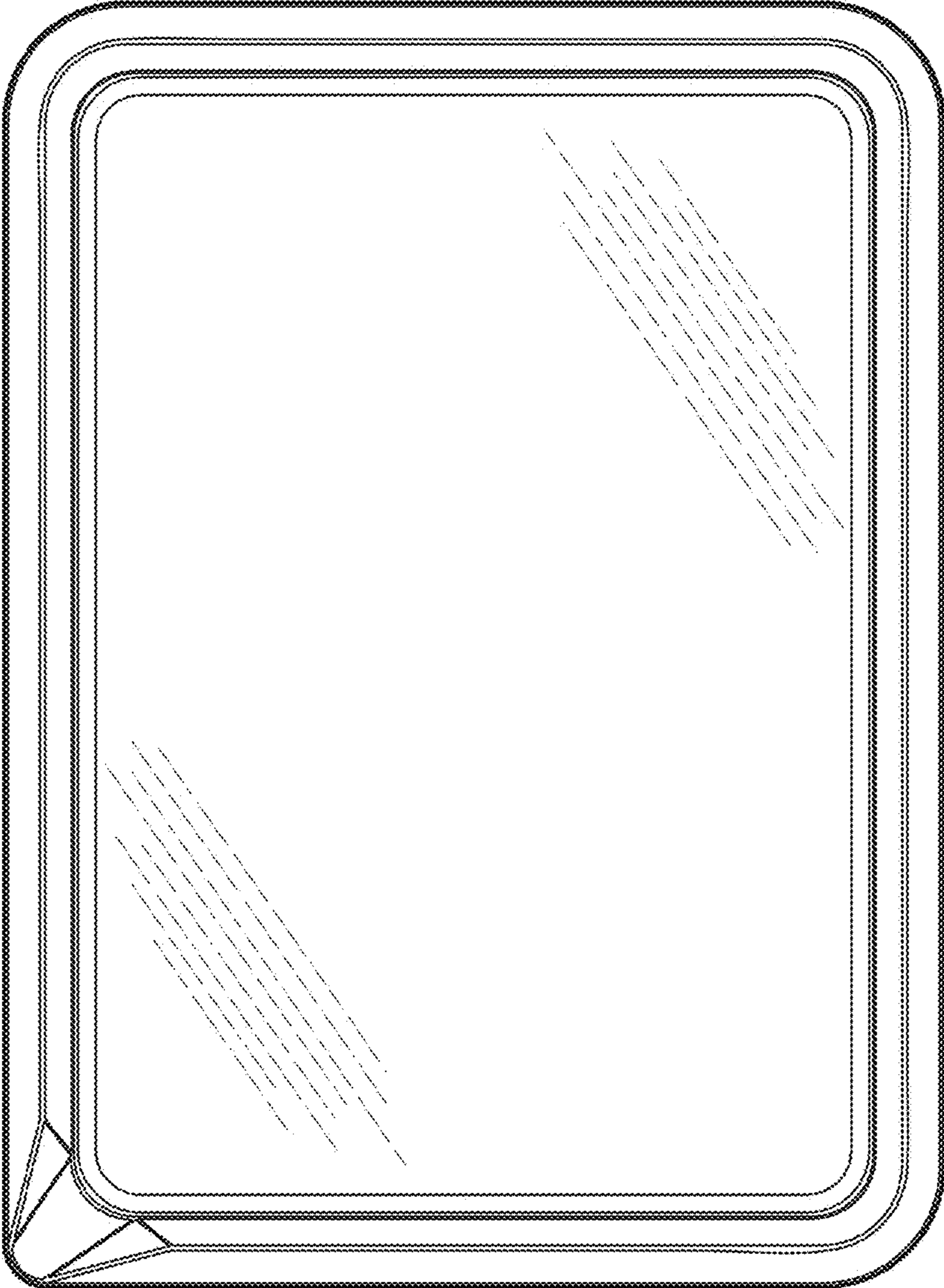


FIG. 2

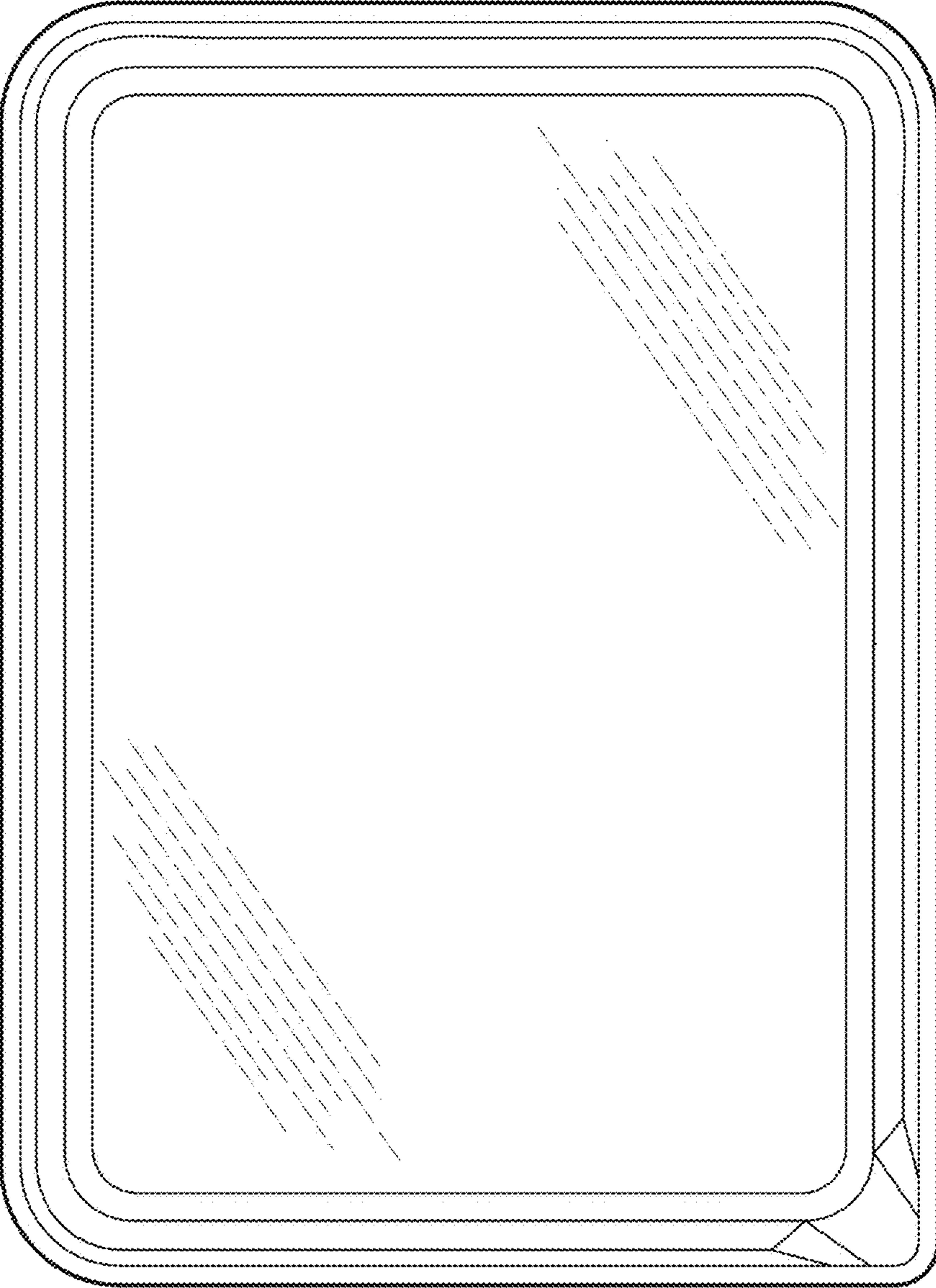


FIG. 3

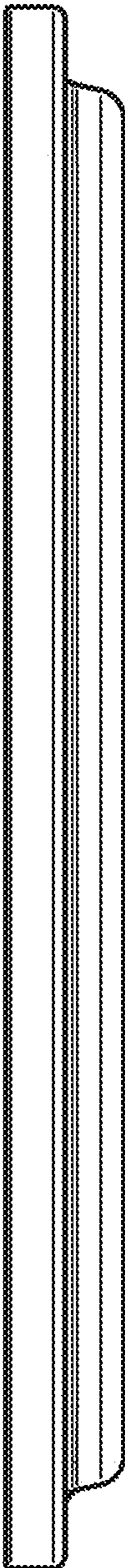


FIG. 4

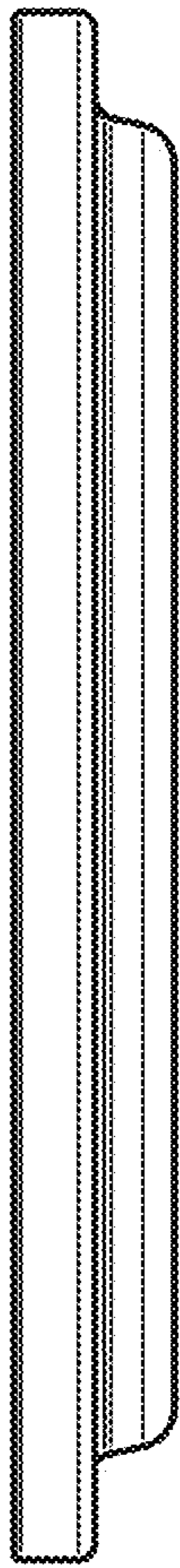


FIG. 5

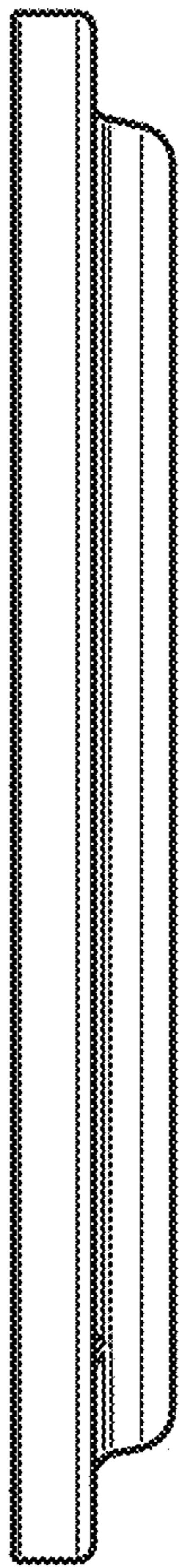


FIG. 6



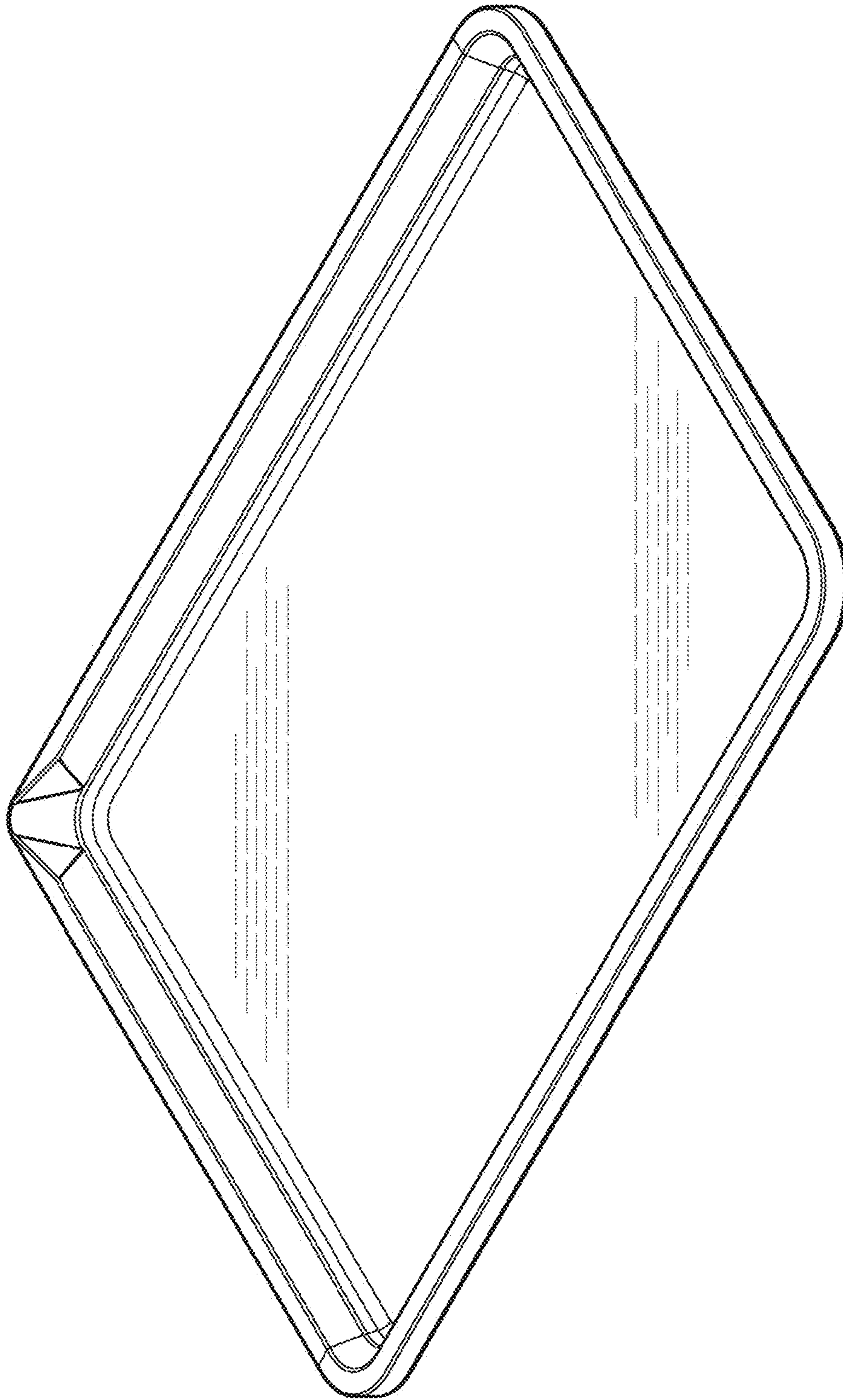


FIG. 7

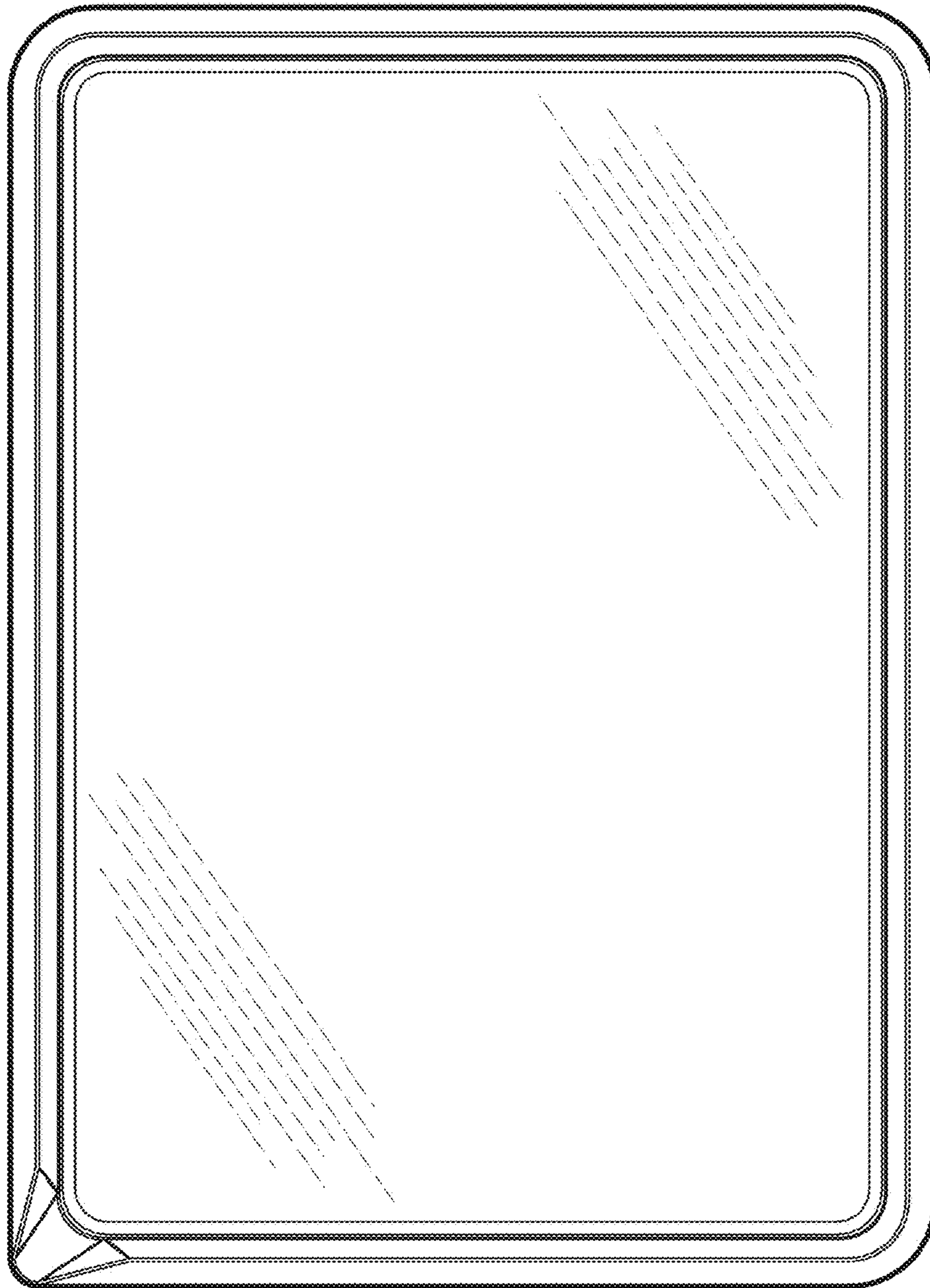


FIG. 8

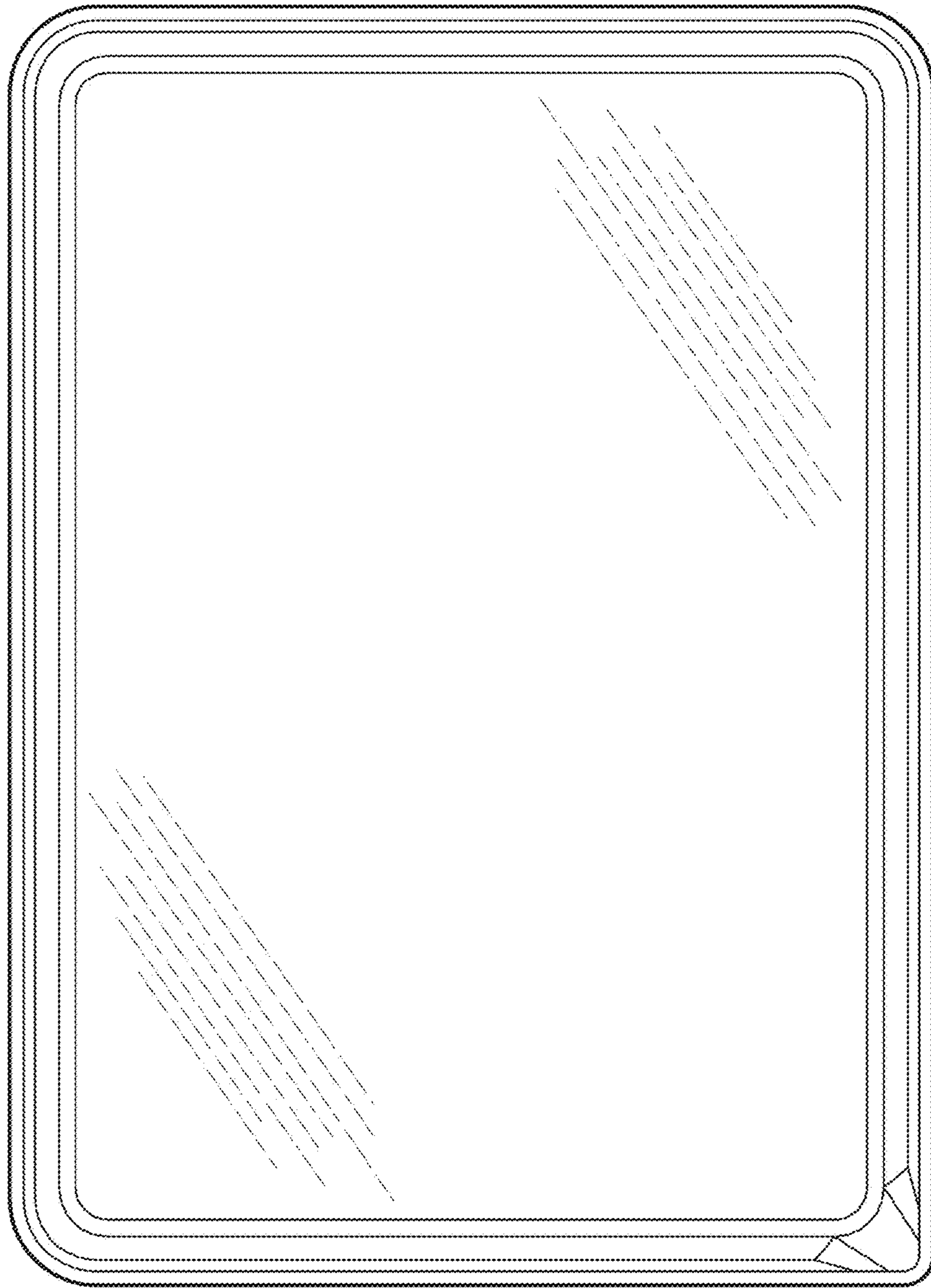


FIG. 9

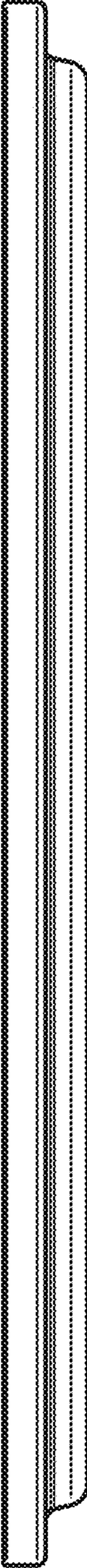


FIG. 10

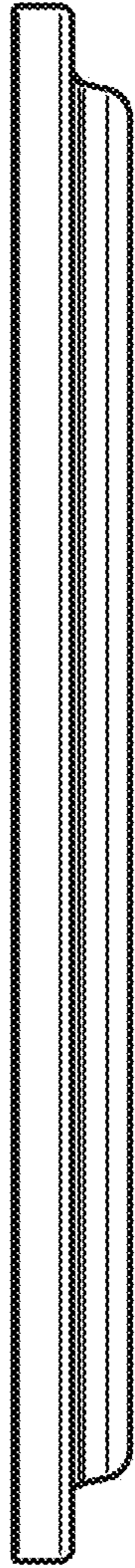


FIG. 11

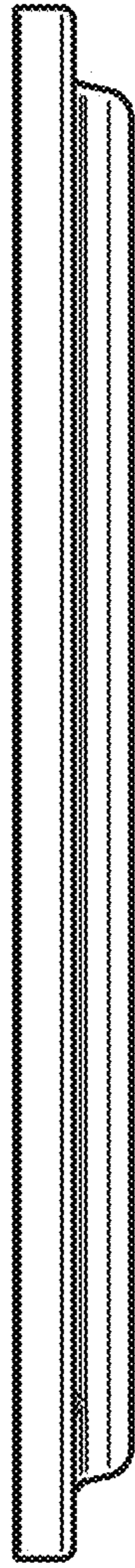


FIG. 12