



US00D820628S

(12) **United States Design Patent**  
**Zhou**

(10) **Patent No.:** **US D820,628 S**  
(45) **Date of Patent:** **\*\* Jun. 19, 2018**

(54) **BARBECUE OVEN**

(71) Applicant: **Bingyin Zhou**, Zhejiang (CN)

(72) Inventor: **Bingyin Zhou**, Zhejiang (CN)

(\*\*) Term: **15 Years**

(21) Appl. No.: **29/609,386**

(22) Filed: **Jun. 30, 2017**

(30) **Foreign Application Priority Data**

Jun. 12, 2017 (CN) ..... 2017 3 0235841

(51) **LOC (11) Cl.** ..... **07-02**

(52) **U.S. Cl.**

USPC ..... **D7/334**

(58) **Field of Classification Search**

USPC ..... D7/332-337, 402-405

CPC ..... A47J 37/0704; A47J 37/04; A47J 37/067;

A47J 37/0731; A47J 37/0763; A47J

2037/0777; A47J 37/0713; A47J 37/0786;

A47J 37/0682; A47J 37/0676; A23B

4/044; A23B 4/052; F24B 1/181

See application file for complete search history.

(56) **References Cited**

**U.S. PATENT DOCUMENTS**

4,665,891 A \* 5/1987 Nemec ..... A47J 37/0704  
126/25 R

D295,136 S \* 4/1988 Cox, Jr. .... D7/334

D690,983 S \* 10/2013 Eftink ..... D7/334

D712,189 S \* 9/2014 Eftink ..... D7/334  
D733,483 S \* 7/2015 Baker ..... D7/332  
D790,901 S \* 7/2017 Zhou ..... D7/334  
2013/0298894 A1 \* 11/2013 Kleinsasser ..... A47J 37/0704  
126/25 R  
2017/0067649 A1 \* 3/2017 Colston ..... A47J 37/0704  
2017/0164783 A1 \* 6/2017 Sauerwein ..... A47J 37/0713  
2017/0196400 A1 \* 7/2017 Colston ..... A47J 37/0704

\* cited by examiner

*Primary Examiner* — Susan Bennett Hattan

*Assistant Examiner* — Brett Miller

(57) **CLAIM**

The ornamental design for a barbecue oven, as shown and described.

**DESCRIPTION**

FIG. 1 is a first perspective view of a barbecue oven showing my new design;

FIG. 2 is a second perspective view thereof;

FIG. 3 is a third perspective view thereof;

FIG. 4 is a fourth perspective view thereof;

FIG. 5 is a front elevational view thereof;

FIG. 6 is a rear elevational view thereof;

FIG. 7 is a left side view thereof;

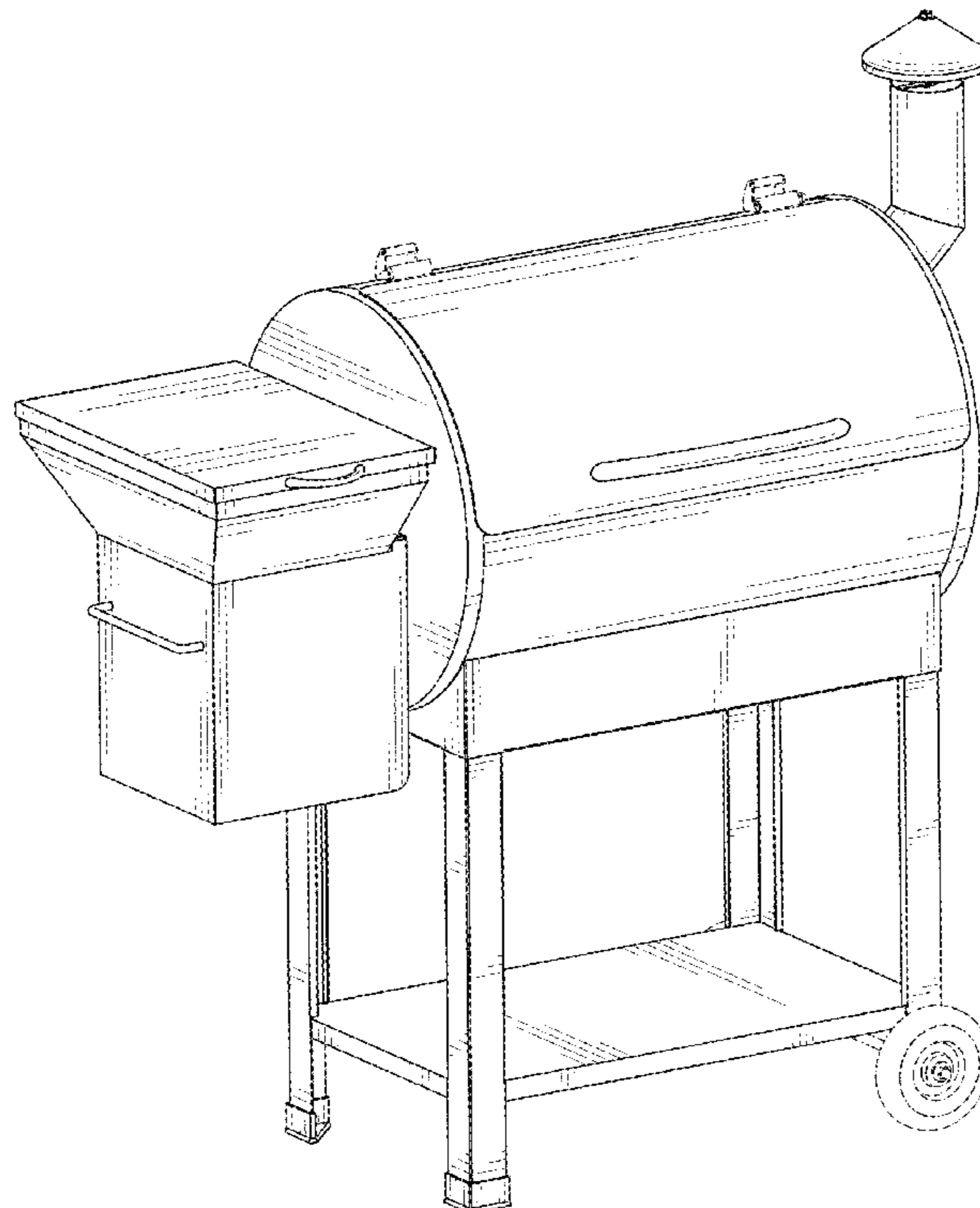
FIG. 8 is a right side view thereof;

FIG. 9 is a top plan view thereof; and,

FIG. 10 is a bottom plan view thereof.

The broken lines in the drawings illustrate portions of the barbecue oven which form no part of the claimed design.

**1 Claim, 10 Drawing Sheets**



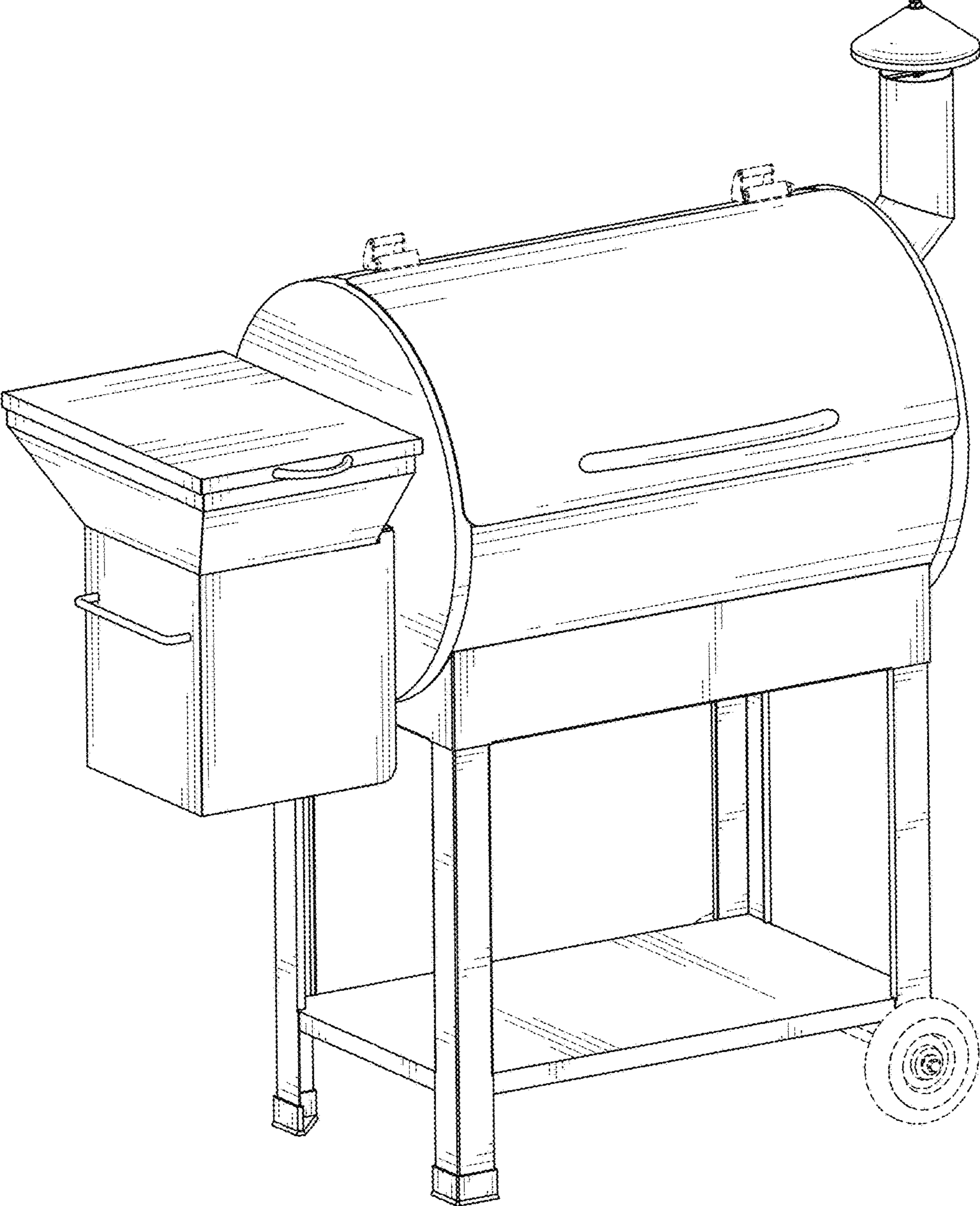


Fig. 1

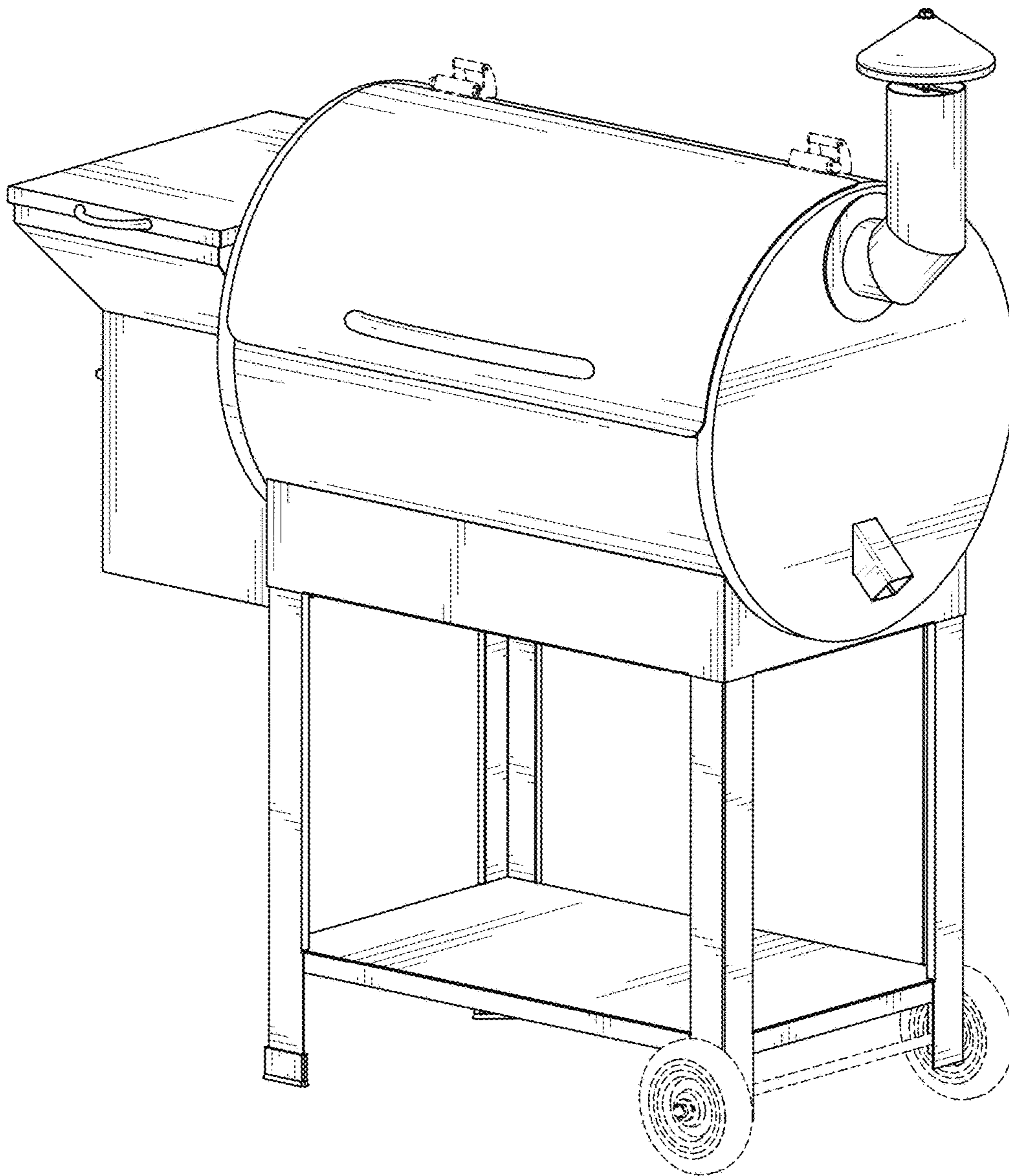


Fig. 2



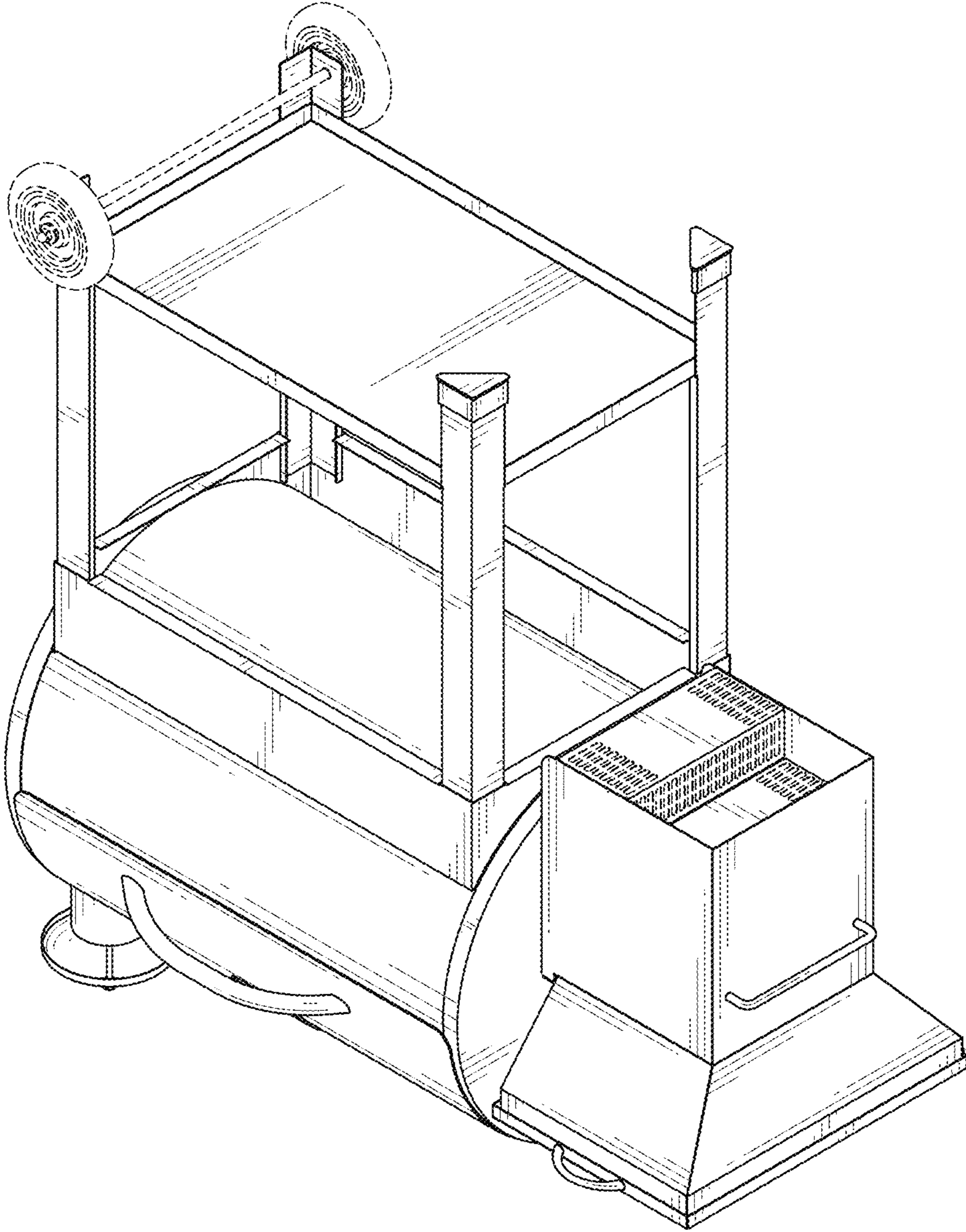


Fig. 3

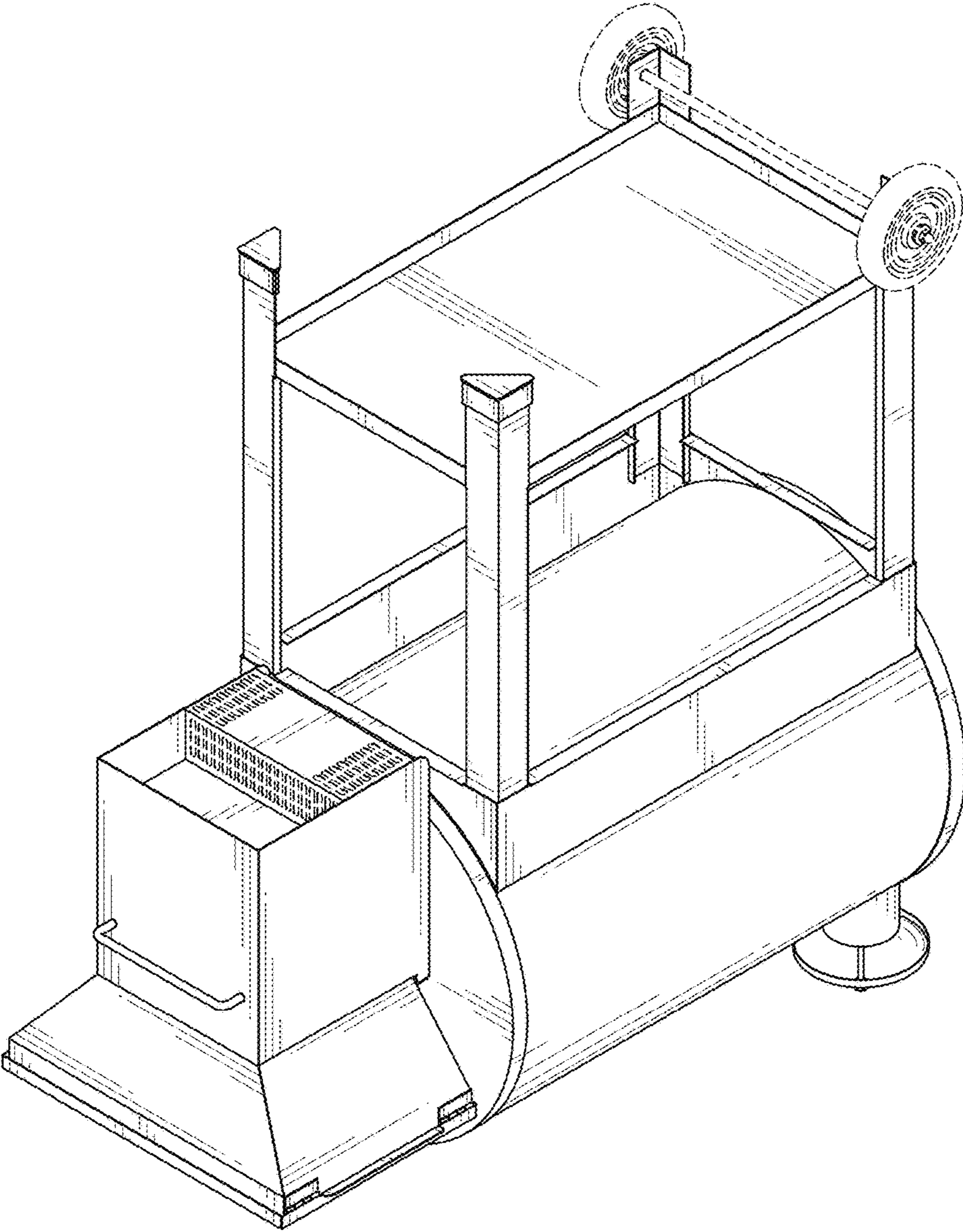


Fig. 4

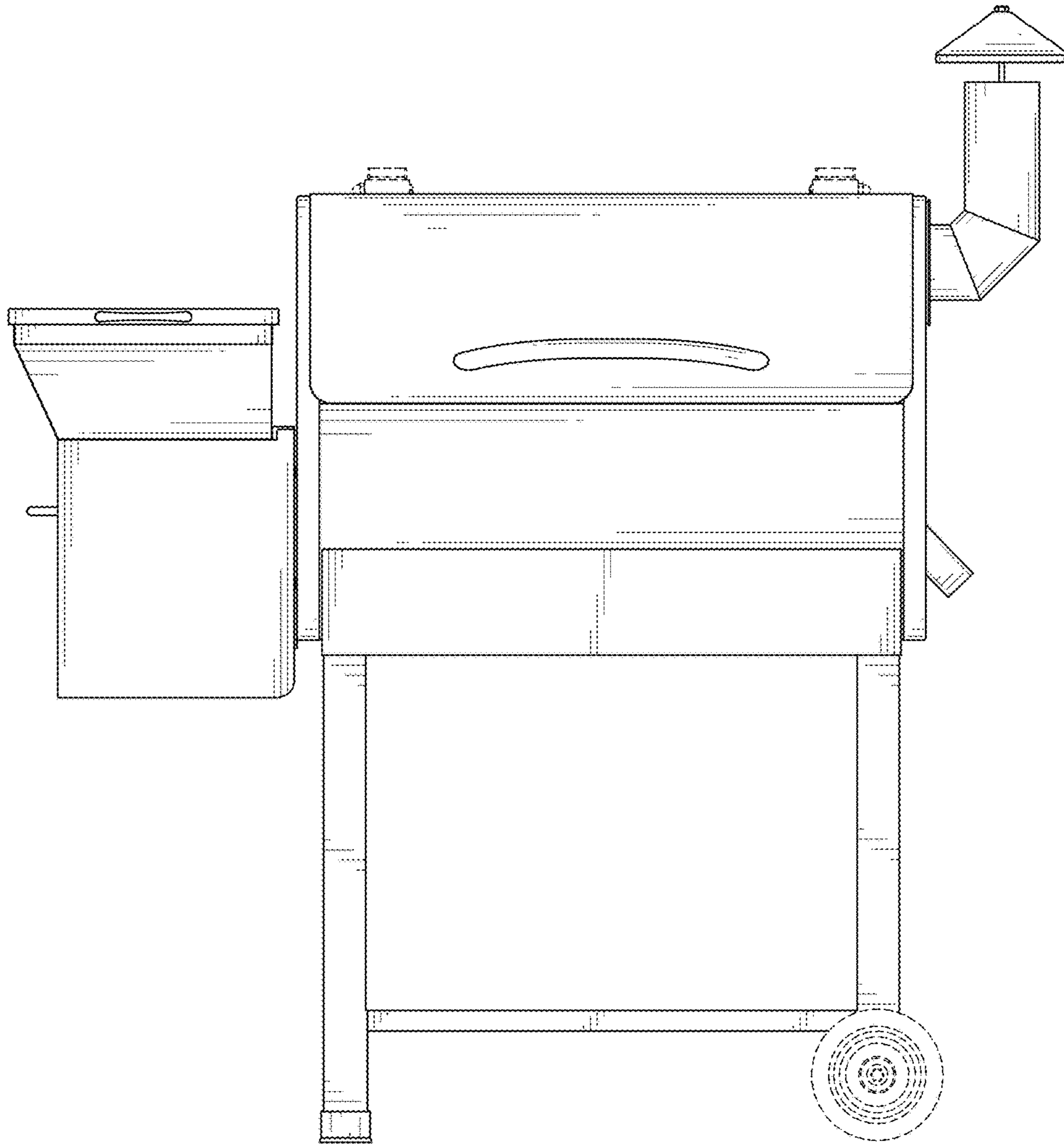


Fig. 5

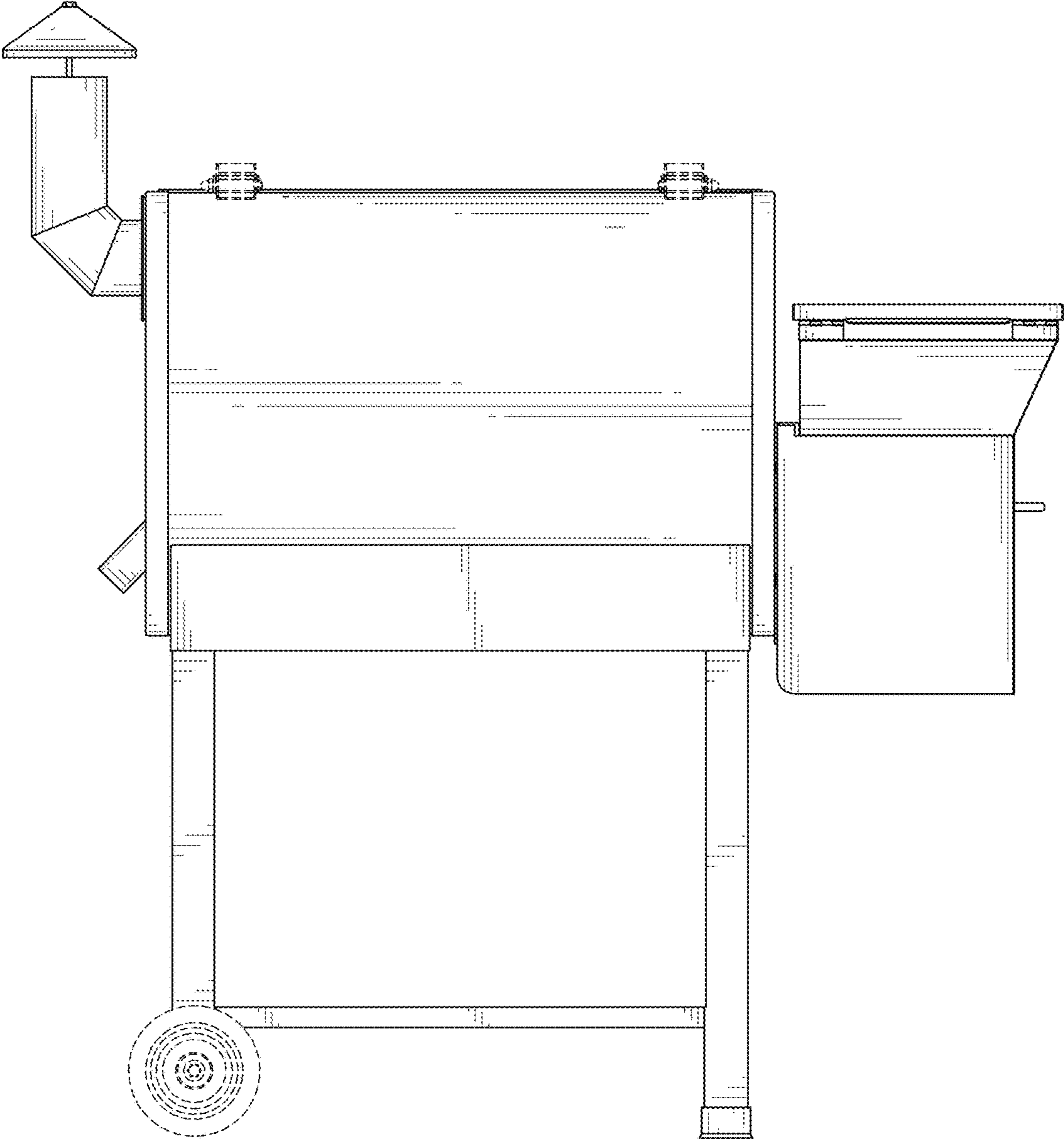


Fig. 6

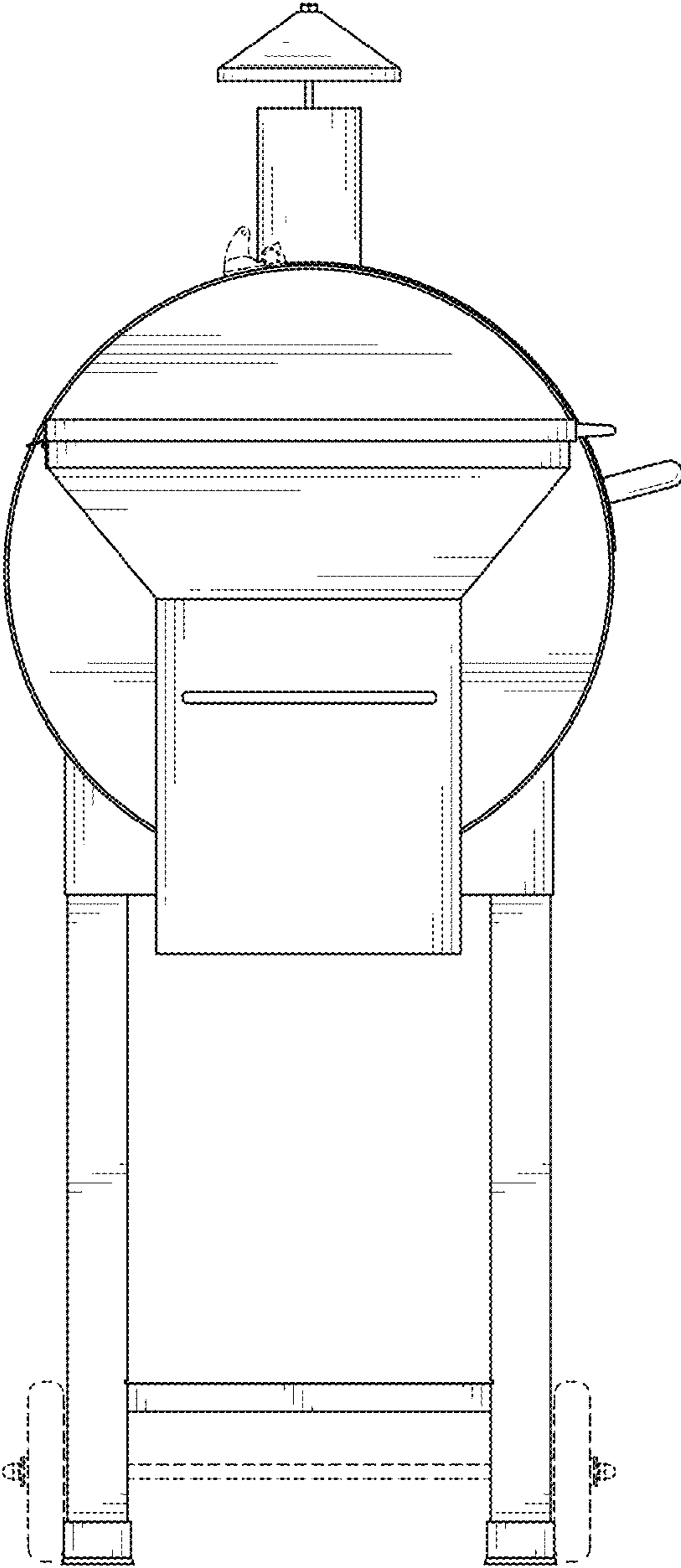


Fig. 7



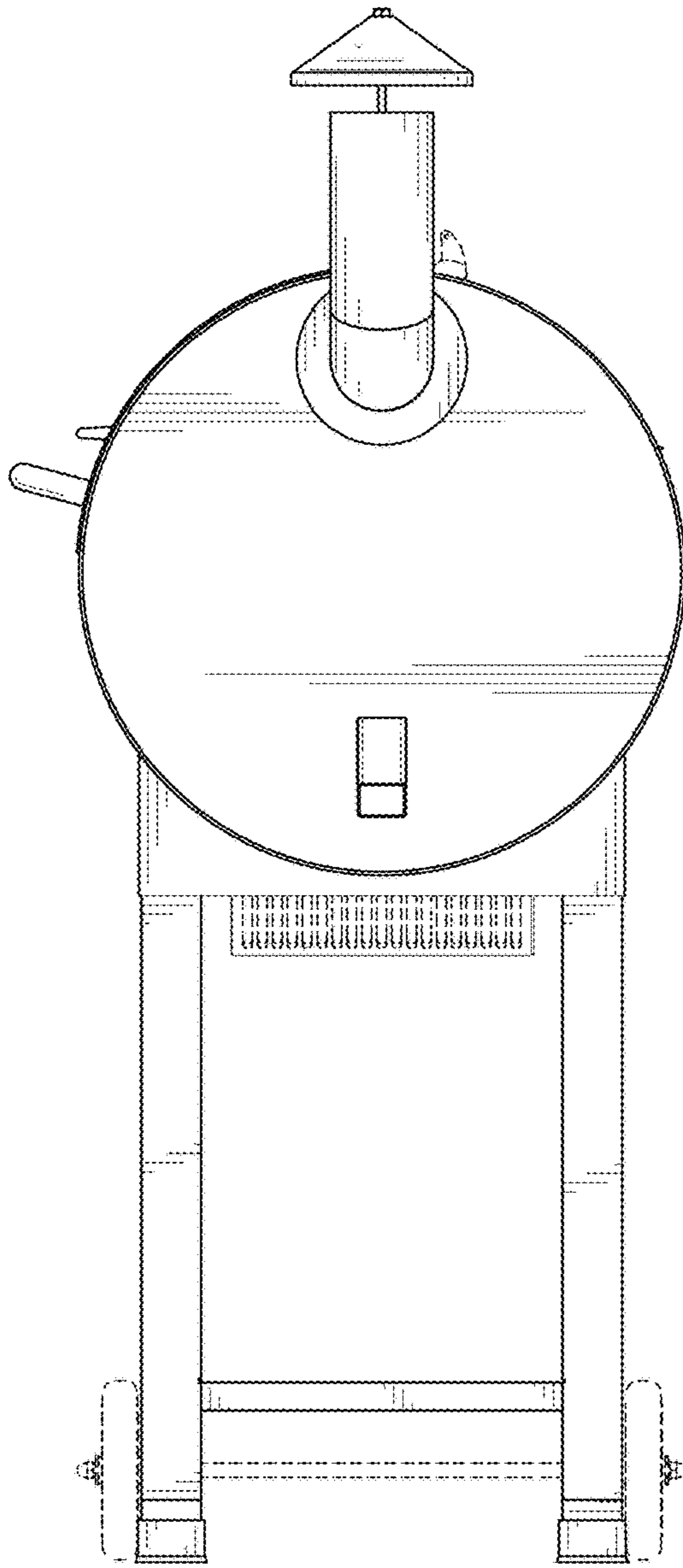


Fig. 8

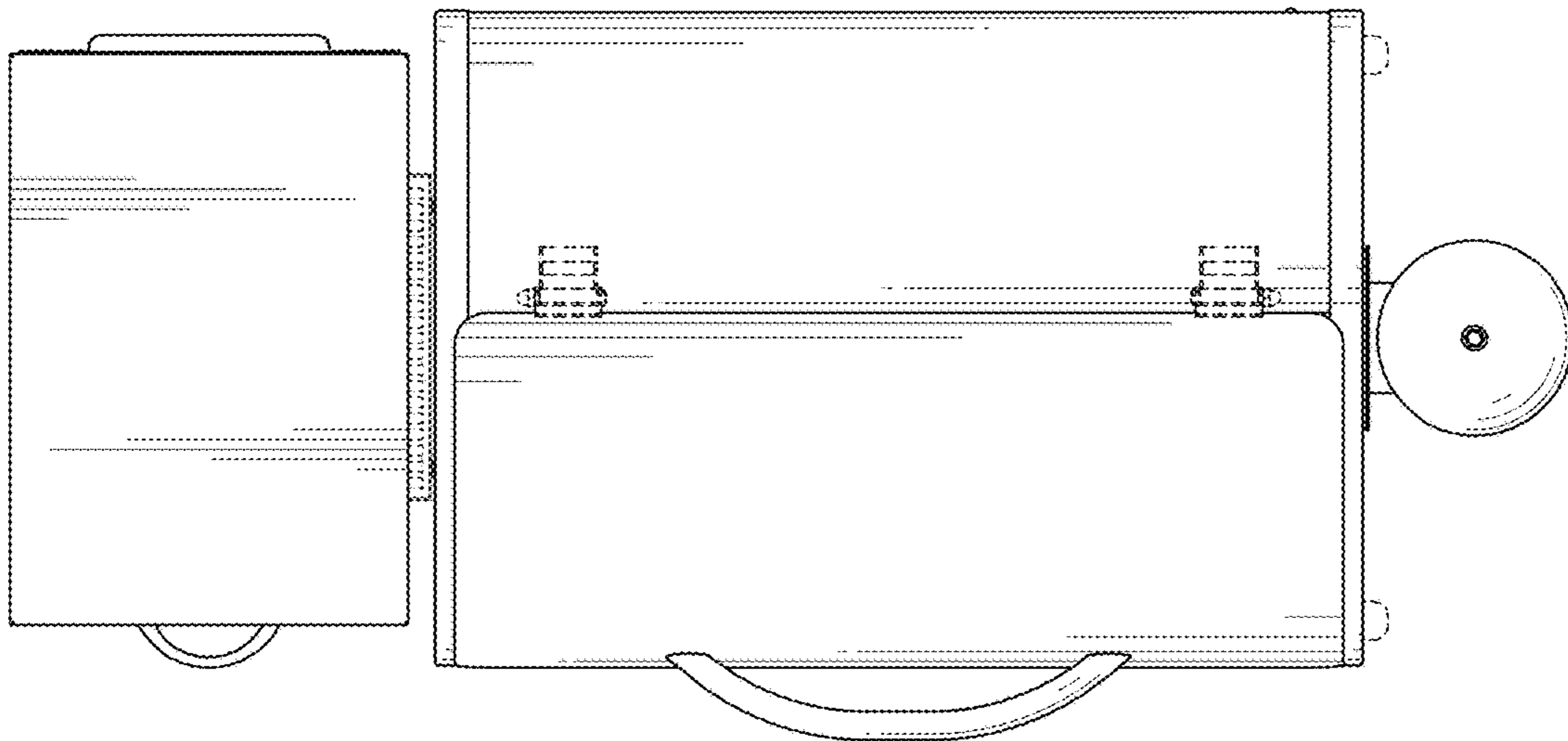


Fig. 9

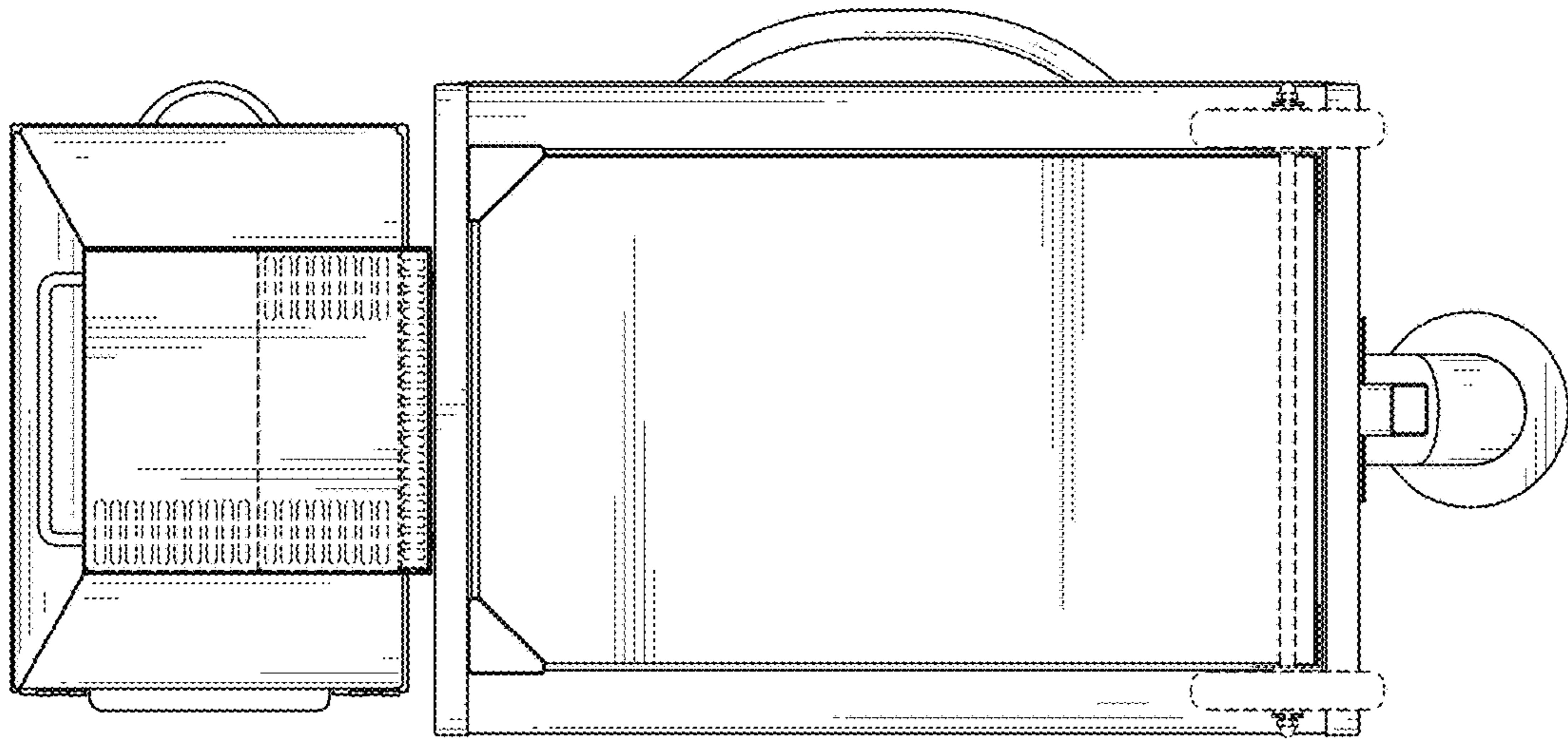


Fig. 10

UNITED STATES PATENT AND TRADEMARK OFFICE  
**CERTIFICATE OF CORRECTION**

PATENT NO. : D820,628 S  
APPLICATION NO. : 29/609386  
DATED : June 19, 2018  
INVENTOR(S) : Bingyin Zhou et al.

Page 1 of 1

It is certified that error appears in the above-identified patent and that said Letters Patent is hereby corrected as shown below:

On the Title Page

Item (12) "Bingyin Zhou" should read -- Bingyin et al. --

Item (72) should read:

-- Bingyin Zhou, Zhejiang (CN):  
Shichun Zhou, Zhejiang (CN) --

Signed and Sealed this  
Thirteenth Day of June, 2023  
*Katherine Kelly Vidal*

Katherine Kelly Vidal  
*Director of the United States Patent and Trademark Office*