



US00D820627S

(12) **United States Design Patent**
Nabeiro

(10) **Patent No.:** **US D820,627 S**
(45) **Date of Patent:** **** Jun. 19, 2018**

(54) **DOMESTIC CAPSULE ESPRESSO MACHINE**

(71) Applicant: **NOVADELTA—COMERCIO E INDUSTRIA DE CAFES S.A.**, Lisbon (PT)

(72) Inventor: **Rui Miguel Nabeiro**, Campo Maior (PT)

(73) Assignee: **NOVADELTA—COMÉRCIO E INDÚSTRIA DE CAFÉS S.A.**, Lisbon (PT)

(**) Term: **15 Years**

(21) Appl. No.: **29/579,811**

(22) Filed: **Oct. 4, 2016**

(30) **Foreign Application Priority Data**

Jul. 5, 2016 (EM) 003293349-0001

(51) **LOC (11) Cl.** **07-01**

(52) **U.S. Cl.**
USPC **D7/309; D7/311**

(58) **Field of Classification Search**
USPC D7/305–311, 313, 397; D15/82;
222/129.1, 146.6; 99/295
CPC A47J 31/44; A47J 31/4403; A47J 31/46;
A47J 31/4482; A47J 31/369; A47J
31/407; B67D 1/36; B67D 2210/0065;
B67D 1/0864
See application file for complete search history.

(56) **References Cited**

U.S. PATENT DOCUMENTS

D590,652 S * 4/2009 Cesaroni D7/309
D618,950 S * 7/2010 Jaffe D7/306

D666,051 S * 8/2012 de Pra D7/309
D760,009 S * 6/2016 Moammer D7/309
9,675,204 B2 * 6/2017 Cahen A47J 31/4403
2004/0112224 A1 * 6/2004 Drobeck A47J 31/402
99/279
2009/0255407 A1 * 10/2009 Lassota A47J 31/4403
99/279
2013/0213238 A1 * 8/2013 Cahen A47J 31/4485
99/289 R
2016/0045061 A1 * 2/2016 Balestier A47J 31/4403
99/285
2016/0183716 A1 * 6/2016 Harrington A47J 31/4403
366/182.2
2016/0192807 A1 * 7/2016 Ait Bouziad A47J 31/0668
99/323

* cited by examiner

Primary Examiner — Marianne Pandozzi

(74) *Attorney, Agent, or Firm* — Sughrue Mion, PLLC

(57) **CLAIM**

The ornamental design for a domestic capsule espresso machine, as shown and described.

DESCRIPTION

FIG. 1 is a left side elevational view of a domestic capsule espresso machine showing my new design; FIG. 2 is a front elevational view thereof; FIG. 3 is a right side elevational view thereof; FIG. 4 is a rear elevational view thereof; FIG. 5 is a top plan view thereof; FIG. 6 is a top front perspective view thereof, and, FIG. 7 is a bottom front perspective view thereof.

1 Claim, 7 Drawing Sheets

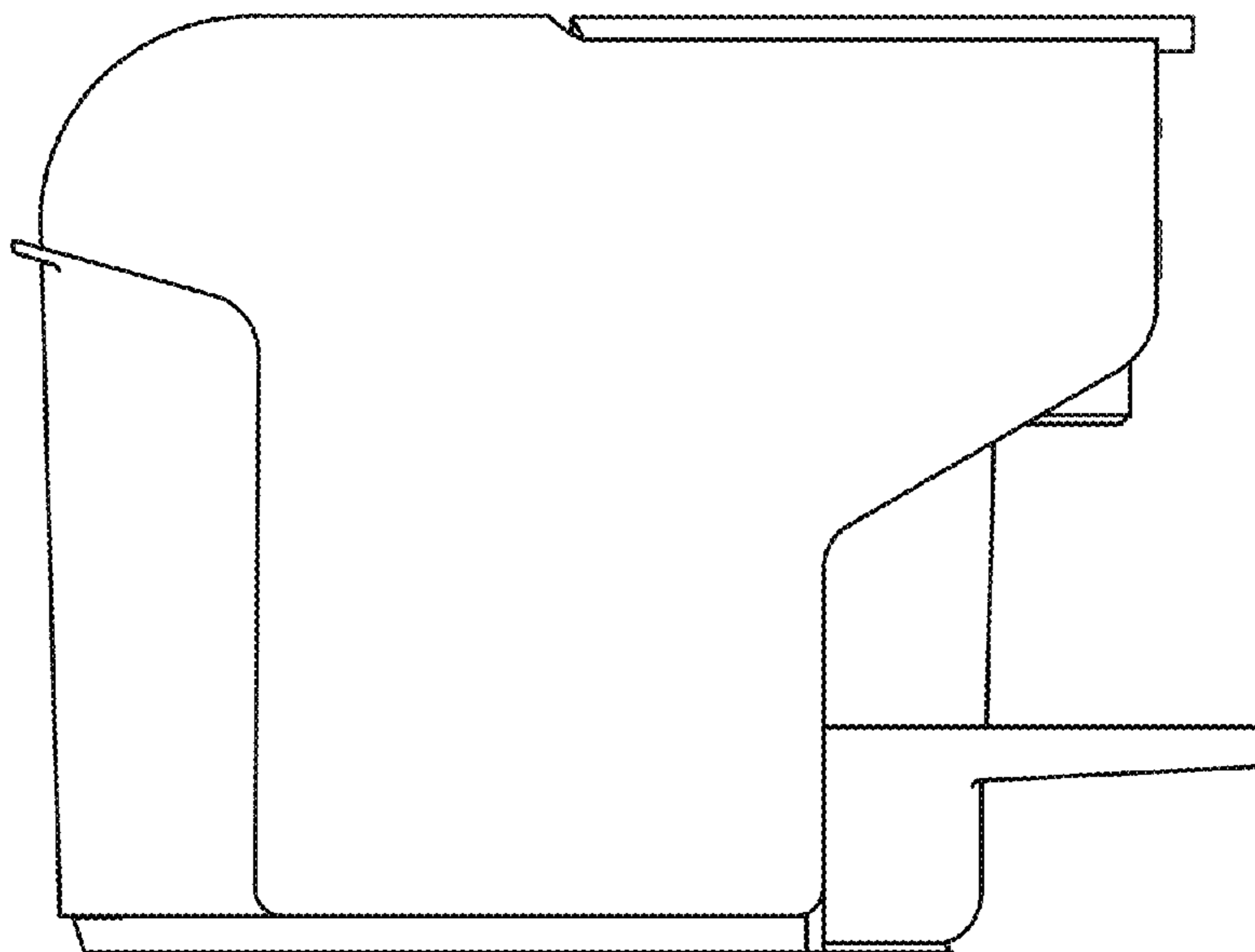


FIG. 1

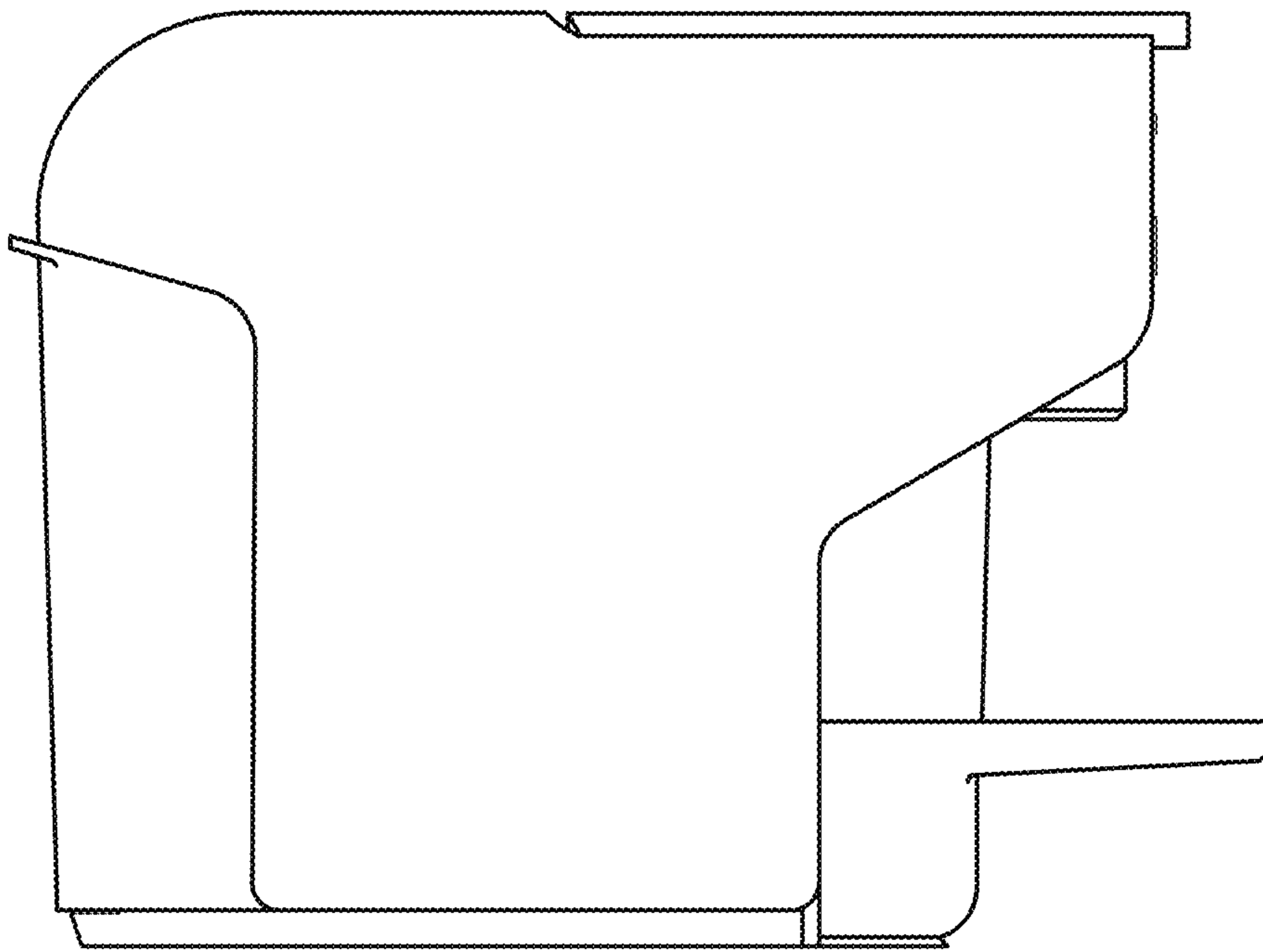


FIG. 2

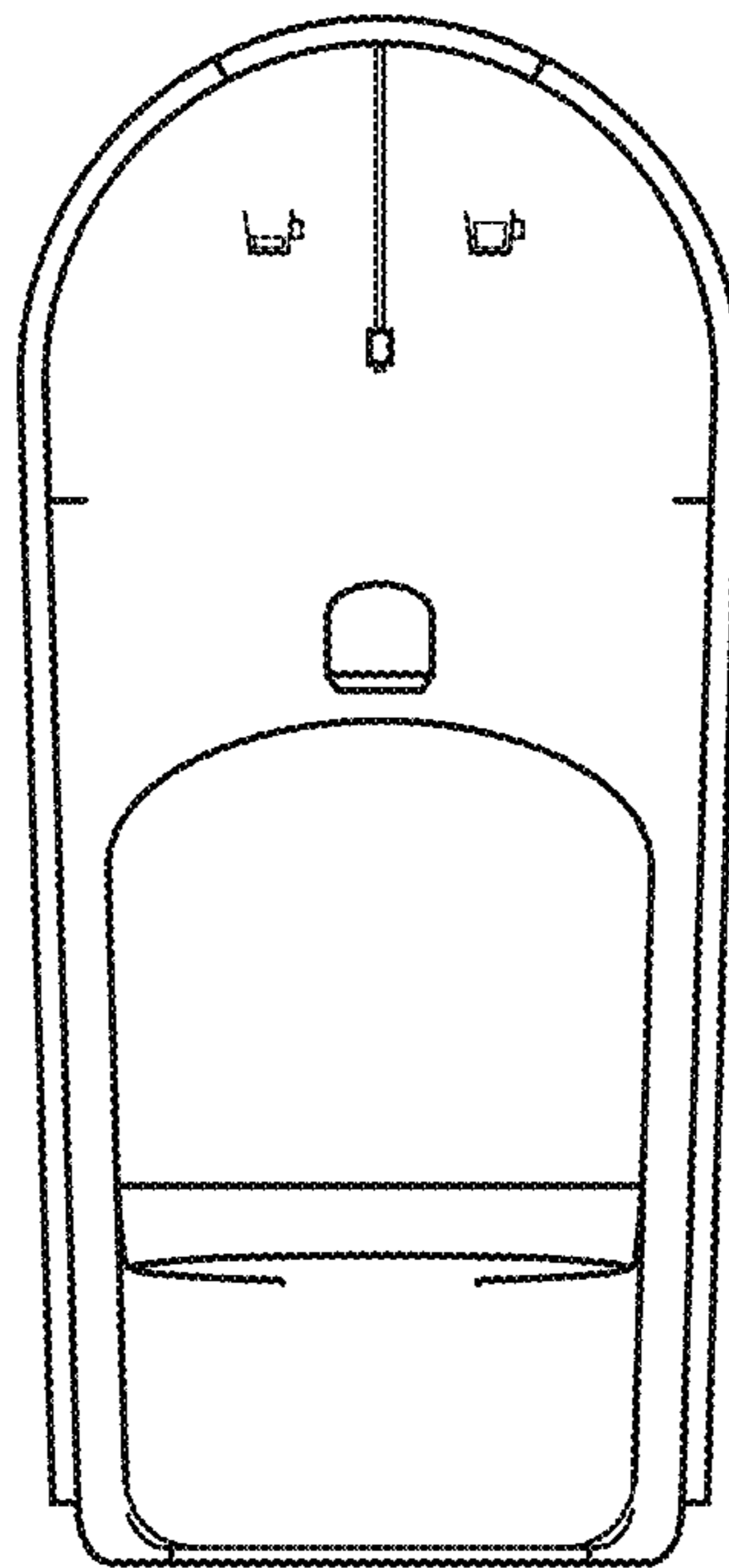


FIG. 3

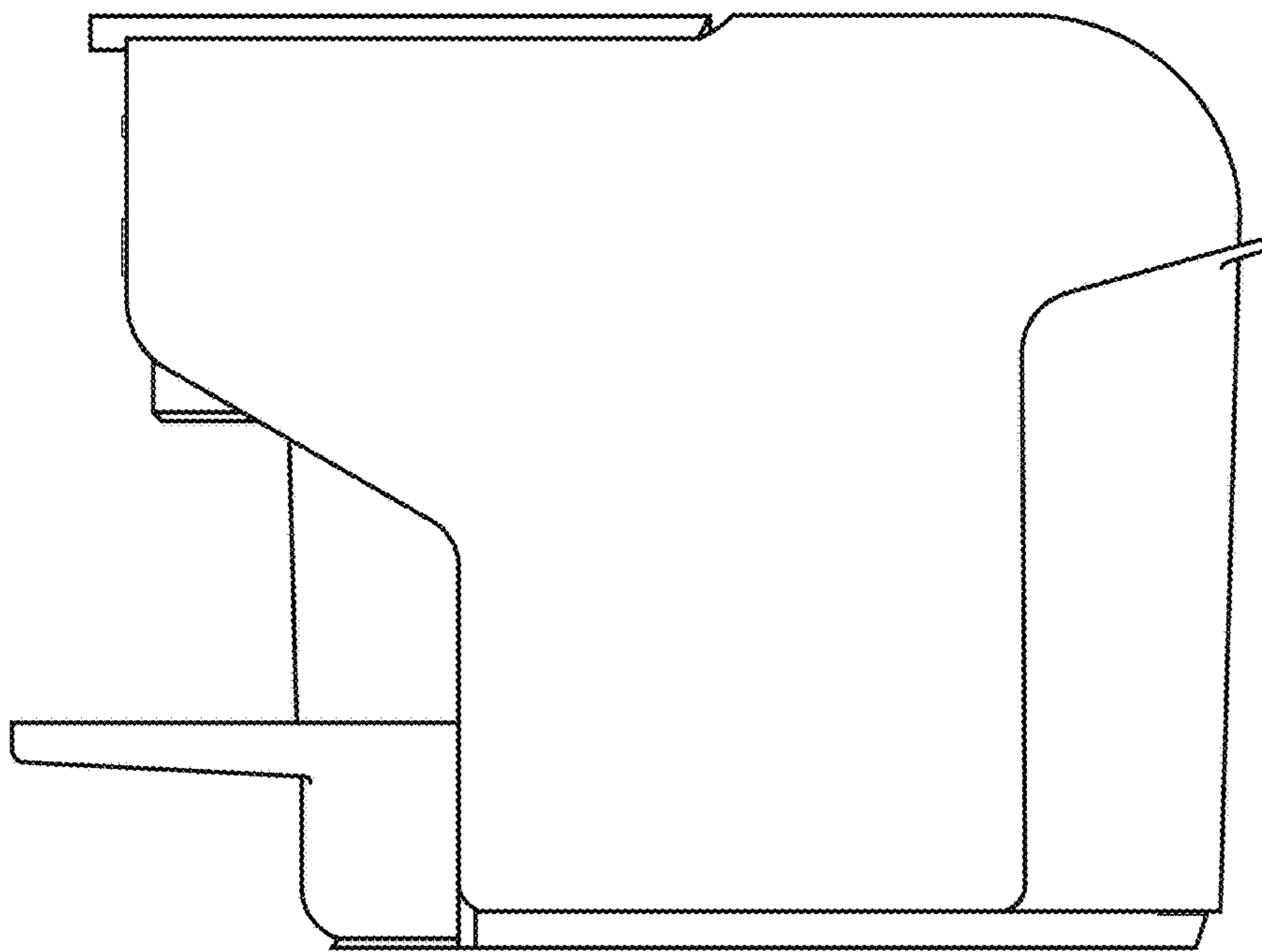


FIG. 4

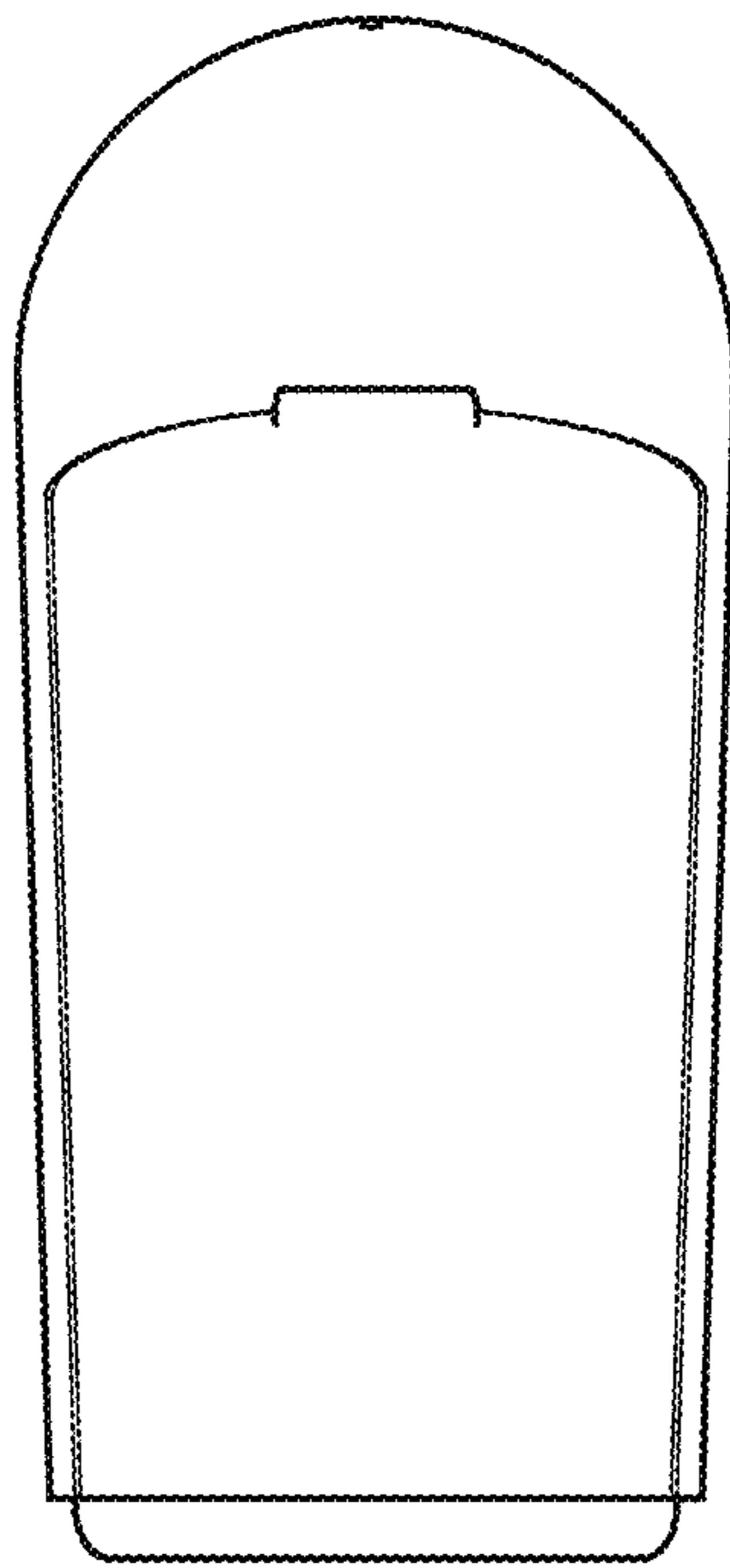


FIG. 5

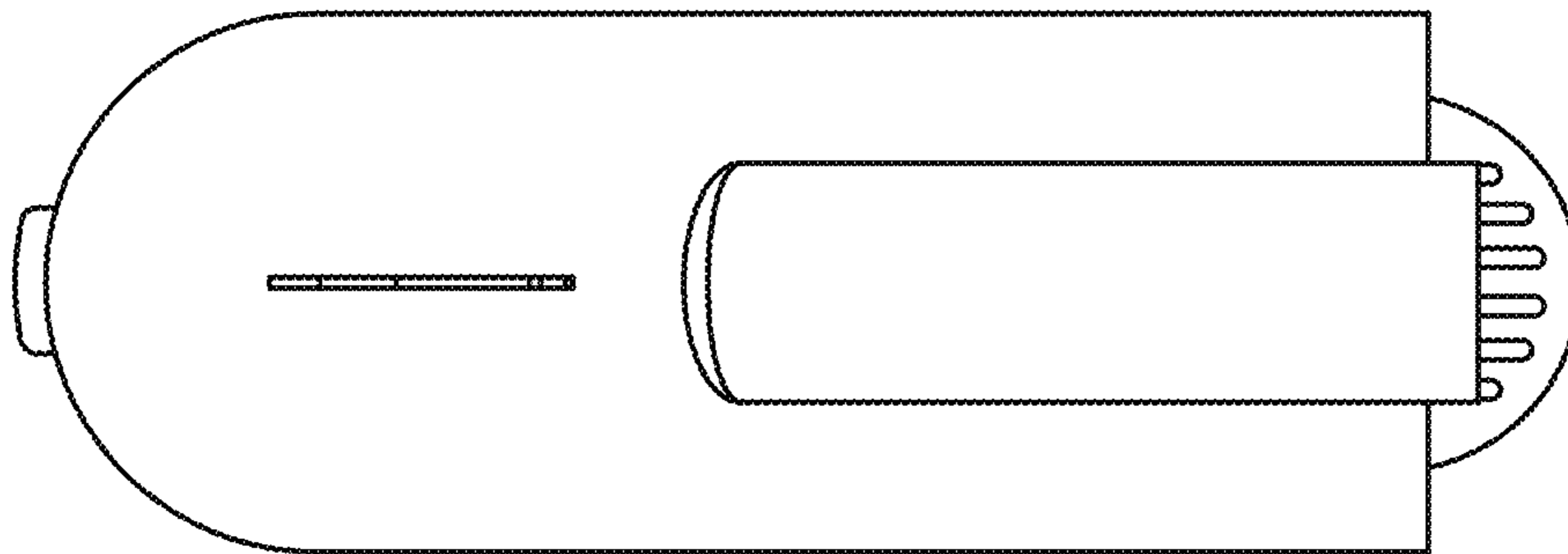


FIG. 6

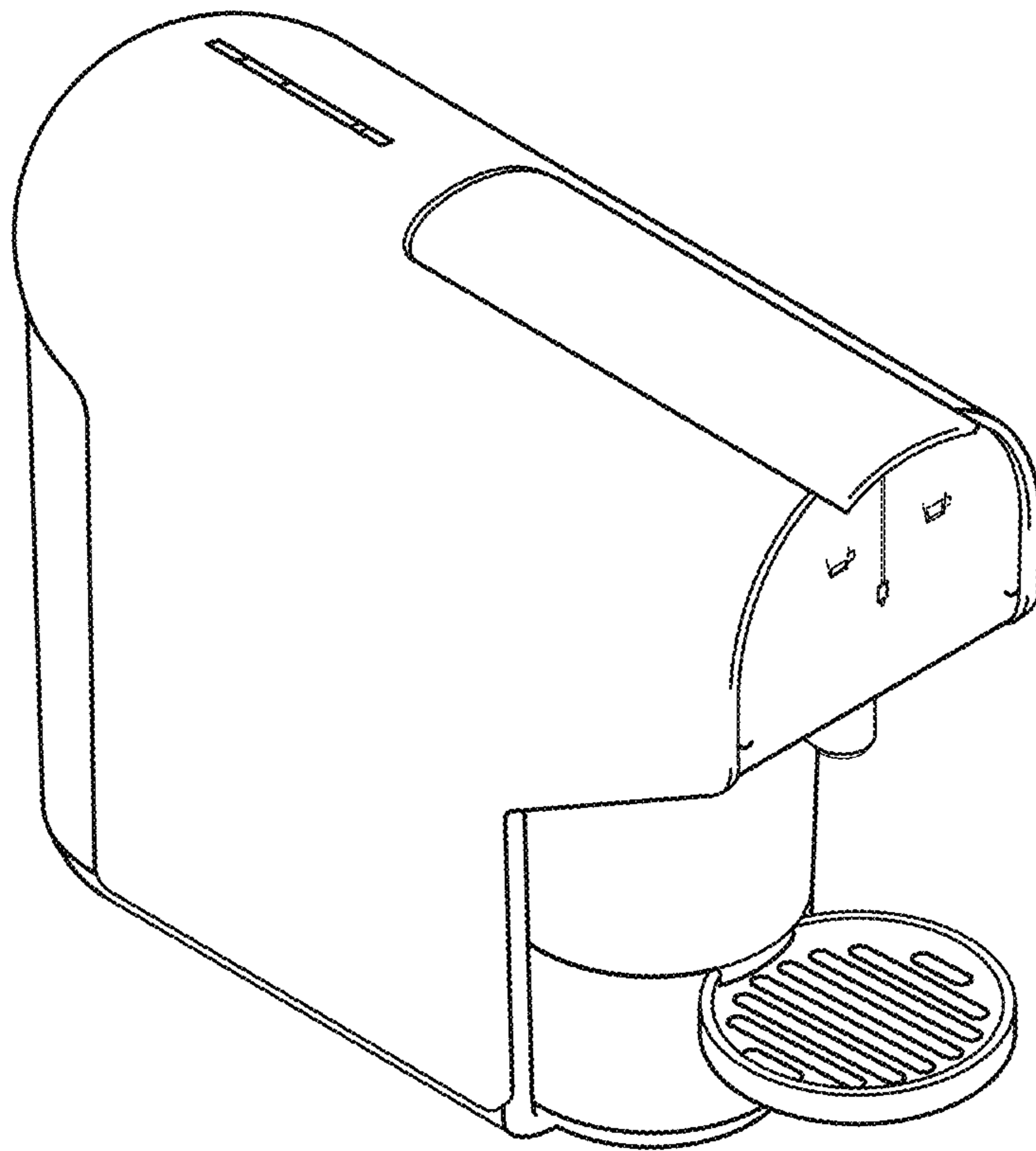


FIG. 7

