



US00D820625S

(12) **United States Design Patent** (10) **Patent No.:** **US D820,625 S**
Steinmeijer (45) **Date of Patent:** **** Jun. 19, 2018**

(54) **CHAIR**

(71) Applicant: **HARTMAN ENTERPRISES B.V.**,
 Enschede (NL)
 (72) Inventor: **G. J. C. Steinmeijer**, Enschede (NL)
 (73) Assignee: **Hartman Enterprises B.V.**, Enschede
 (NL)
 (**) Term: **15 Years**

(21) Appl. No.: **35/502,395**

(22) Filed: **Oct. 31, 2016**

(80) **Hague Agreement Data**

Int. Filing Date: **Oct. 31, 2016**
 Int. Reg. No.: **DM/094422**
 Int. Reg. Date: **Oct. 31, 2016**
 Int. Reg. Pub. Date: **Feb. 3, 2017**

(30) **Foreign Application Priority Data**

May 10, 2016 (EM) 003120070-0001

(51) **LOC (11) Cl.** **06-01**

(52) **U.S. Cl.**
USPC **D6/716; D6/375**

(58) **Field of Classification Search**

USPC D6/334, 374-376, 380, 716, 716.1
 CPC A47C 1/00; A47C 3/00; A47C 3/04; A47C
 3/16; A47C 3/18; A47C 7/00; A47C 7/02;
 A47C 7/18; A47C 7/24; A47C 7/36;
 A47C 7/38; A47C 7/50; A47C 1/146

See application file for complete search history.

(56) **References Cited**

U.S. PATENT DOCUMENTS

3,565,486 A * 2/1971 Channon A47C 1/146
 297/1
 D743,711 S * 11/2015 Lissoni D6/375
 D746,609 S * 1/2016 Lievore D6/375
 D762,407 S * 8/2016 Kubryk D6/716
 D798,068 S * 9/2017 Iqbal D6/334
 D799,873 S * 10/2017 Swy D6/716
 D799,874 S * 10/2017 Swy D6/716

* cited by examiner

Primary Examiner — Mary Ann Calabrese

(74) *Attorney, Agent, or Firm* — Woodard Emhardt
Moriarty McNett & Henry LLP

(57) **CLAIM**

The ornamental design for a chair, as shown and described.

DESCRIPTION

1. Chair

1.1 is a front perspective view.

1.2 is a top view.

1.3 is a left side view.

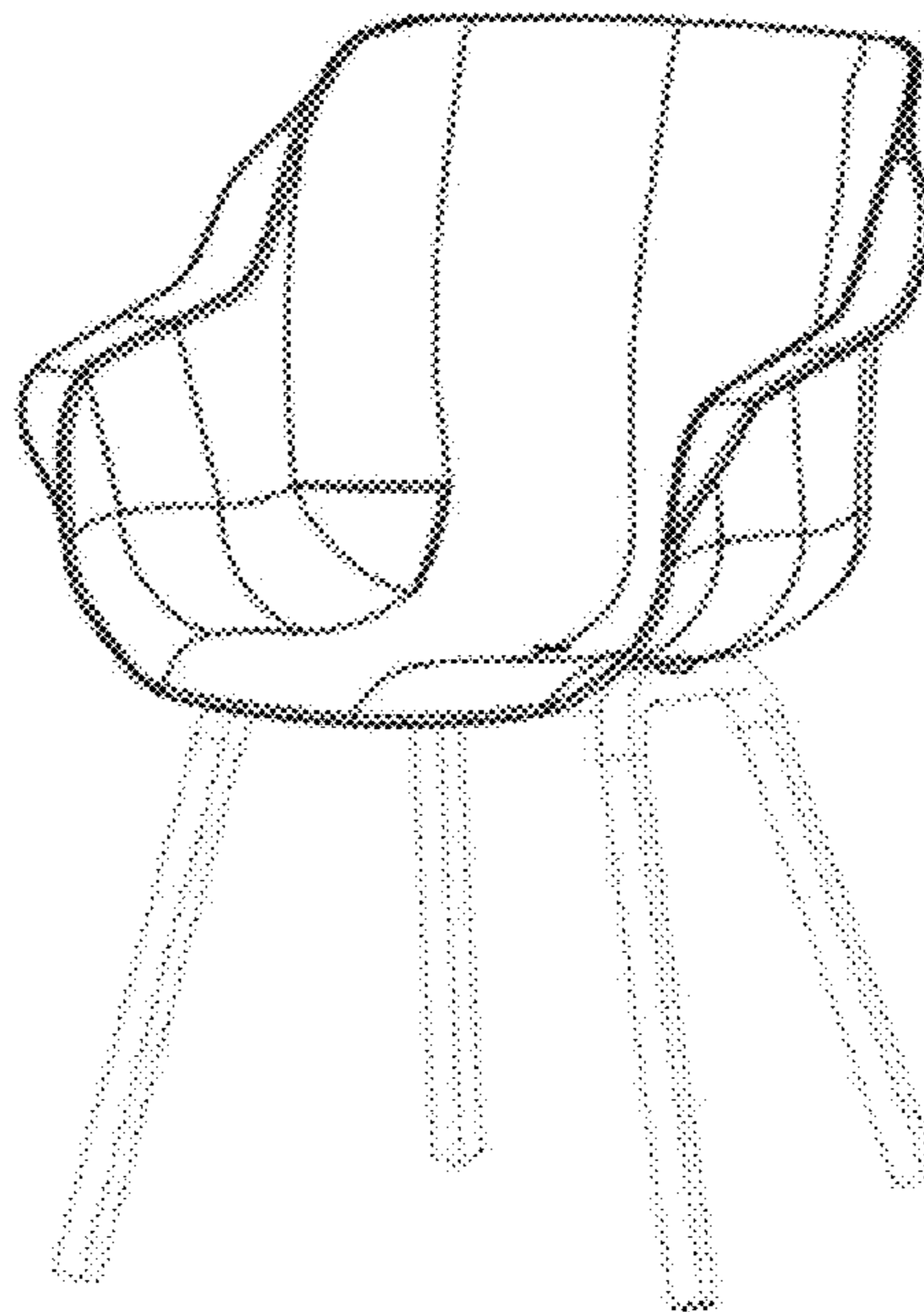
1.4 is a bottom view.

1.5 is a rear view.

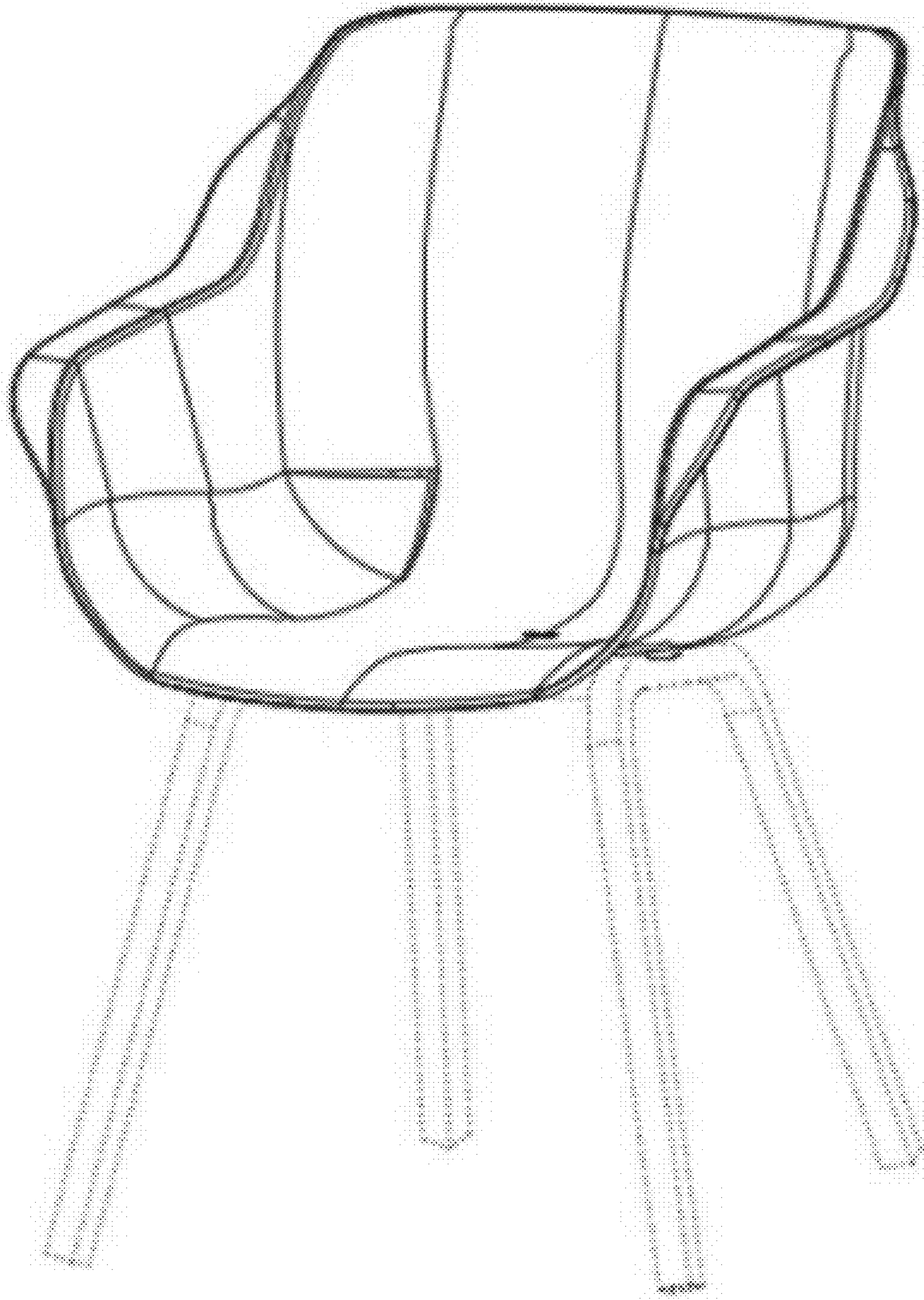
1.6 is a front view.

In the drawings, the broken lines show the chair that form no part of the claimed design.

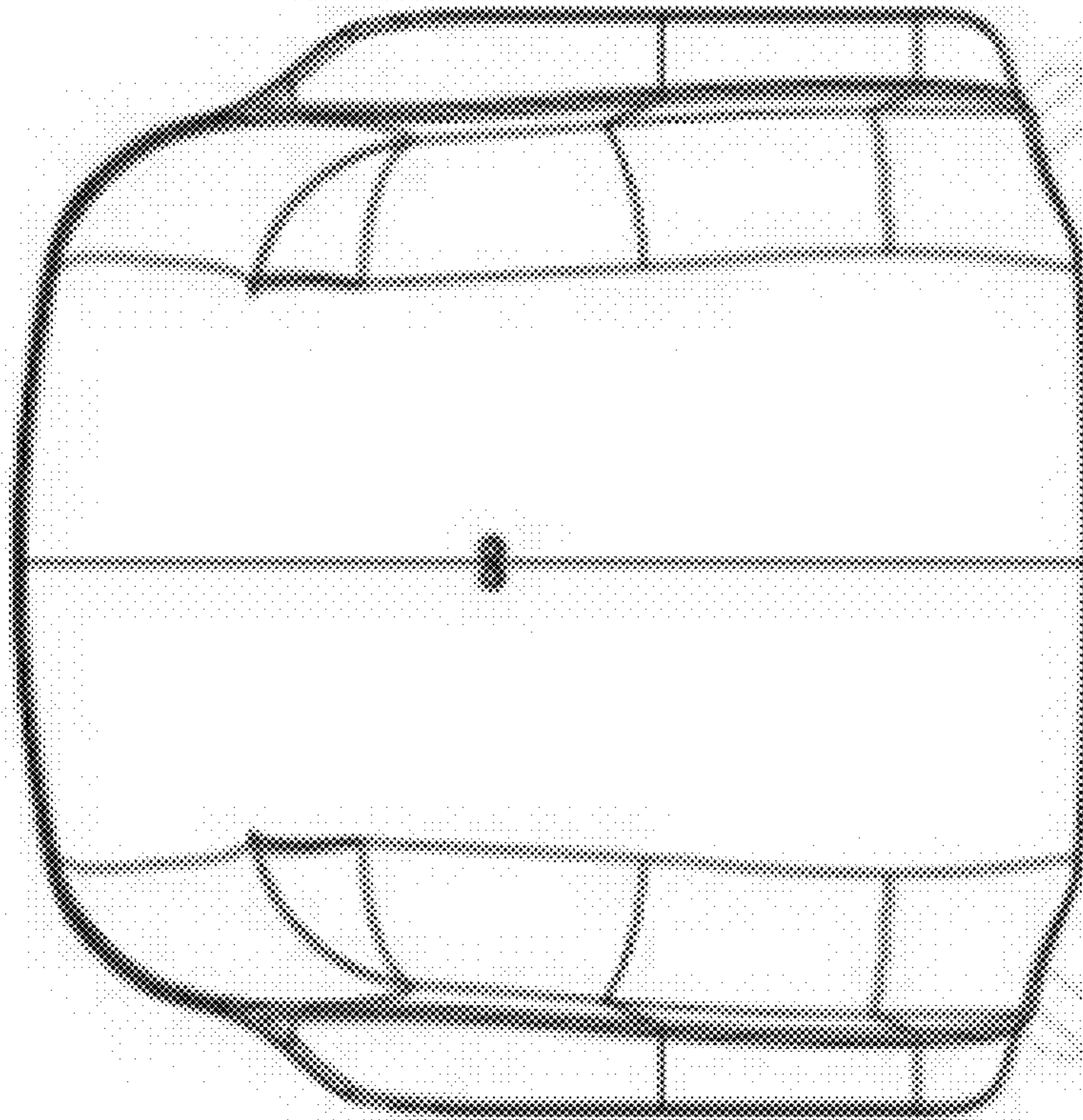
1 Claim, 6 Drawing Sheets



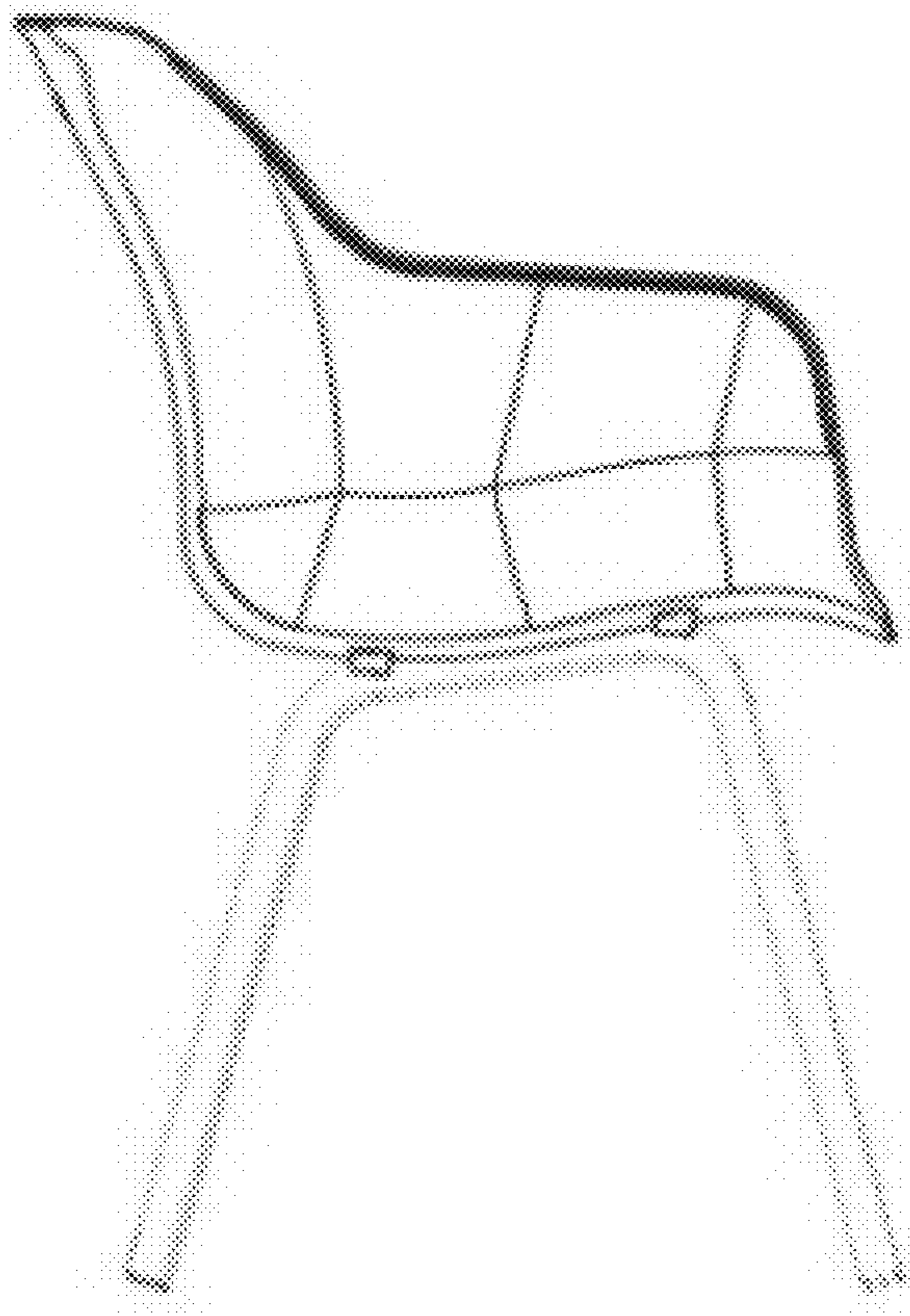
1.1



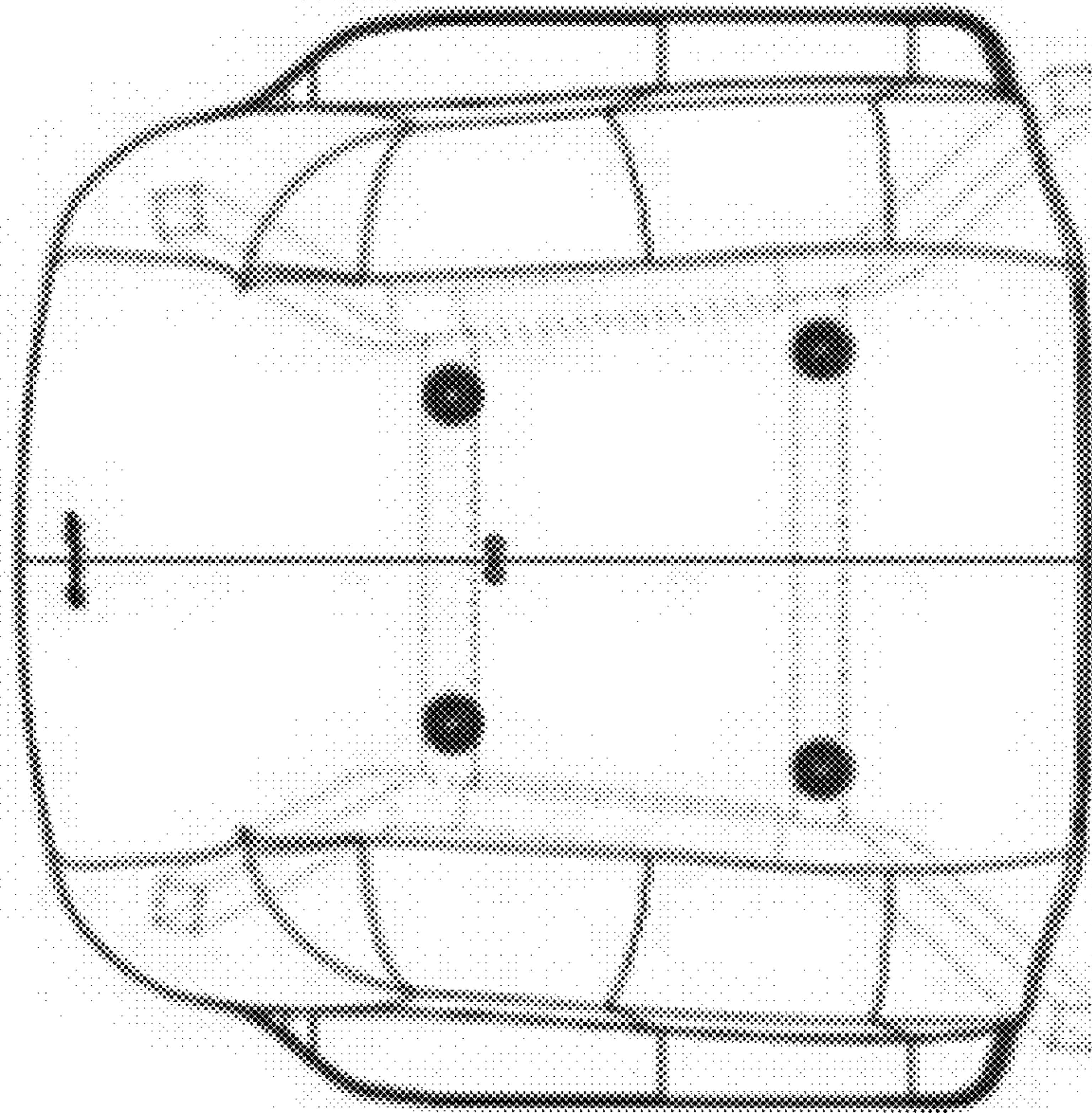
1.2



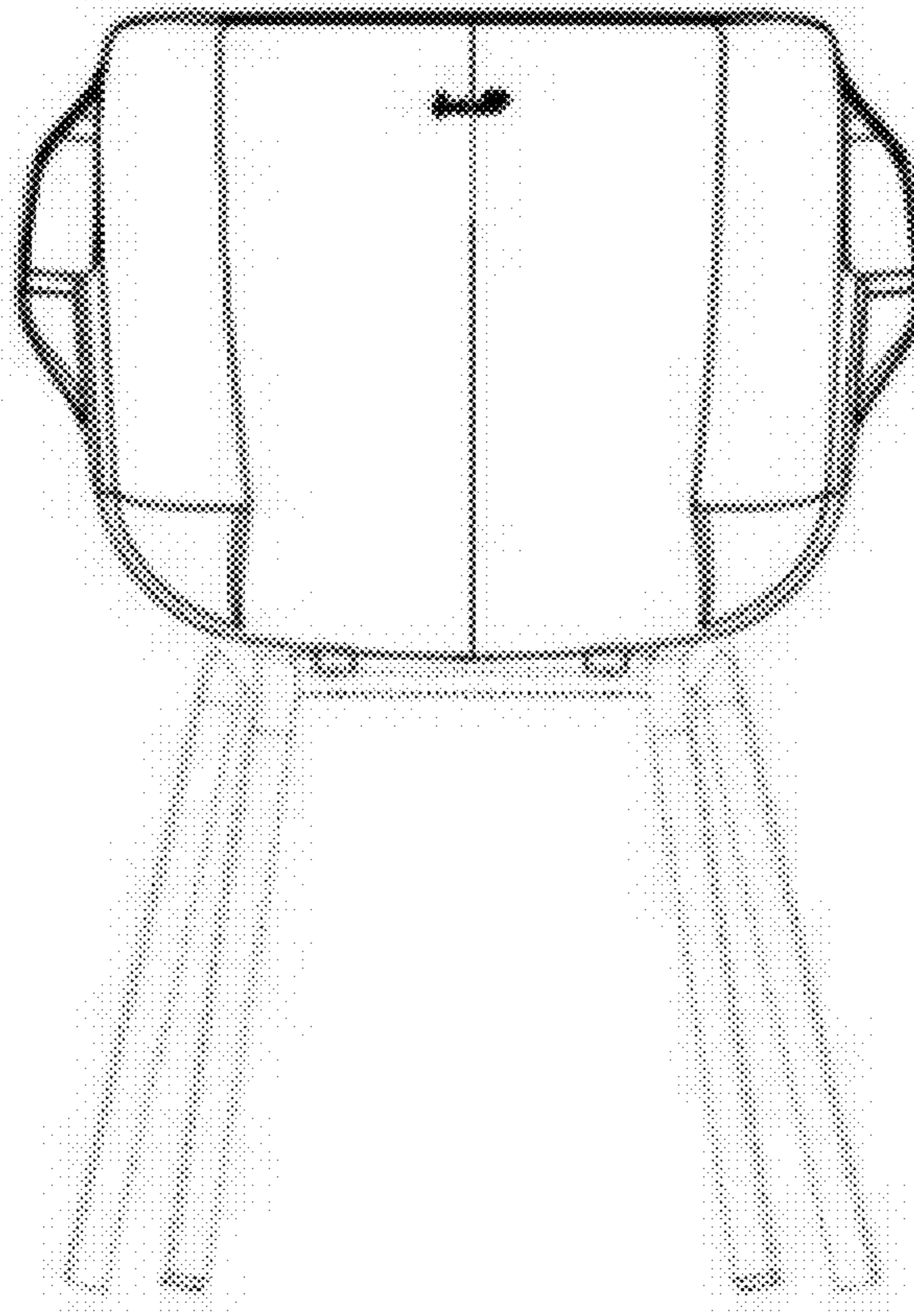
1.3



1.4



1.5



1.6

