



US00D820624S

(12) **United States Design Patent**
Dawson

(10) **Patent No.:** **US D820,624 S**
(45) **Date of Patent:** **** Jun. 19, 2018**

(54) **TABLE**
(71) Applicant: **Dony Dawson**, Fort Worth, TX (US)
(72) Inventor: **Dony Dawson**, Fort Worth, TX (US)
(**) Term: **15 Years**
(21) Appl. No.: **29/607,587**
(22) Filed: **Jun. 14, 2017**
(51) **LOC (11) Cl.** **06-03**
(52) **U.S. Cl.**
USPC **D6/692**
(58) **Field of Classification Search**
USPC D6/353, 368, 685, 686, 688.21, 688.22,
D6/688.23, 688.26, 688.27, 692, 692.1,
D6/692.2, 692.3, 692.4, 692.5, 692.6,
D6/692.7, 692.8, 702, 707.17, 707.18,
D6/707.2, 707.22, 708, 708.16, 708.17,
D6/708.2, 708.22
CPC A47B 1/00; A47B 3/00; A47B 3/02; A47B
7/00; A47B 9/00; A47B 13/00; A47B
13/02; A47B 21/00; A47B 2013/024;
A47B 2013/025; A47B 2013/026; A47B
2200/00; A47B 13/081; A47B 13/10
See application file for complete search history.

3,940,100 A * 2/1976 Haug A47B 3/00
248/165
4,440,812 A * 4/1984 Norrid A47G 7/041
108/158.12
D297,388 S * 8/1988 Glendinning D6/708
4,824,058 A * 4/1989 Glendinning A47B 7/00
248/164
D418,696 S * 1/2000 Tomar D6/697.2
D557,944 S * 12/2007 Cheng D6/708
D566,997 S * 4/2008 Muller D26/111
D655,952 S * 3/2012 McCurry D6/690
D679,522 S * 4/2013 Hamill D6/692
9,456,683 B2 * 10/2016 Price A47B 3/06
D785,385 S * 5/2017 Traeger D6/692

* cited by examiner

Primary Examiner — Mary Ann Calabrese
Assistant Examiner — Catherine Ho
(74) *Attorney, Agent, or Firm* — Richard G. Eldredge;
Eldredge Law Firm

(57) **CLAIM**

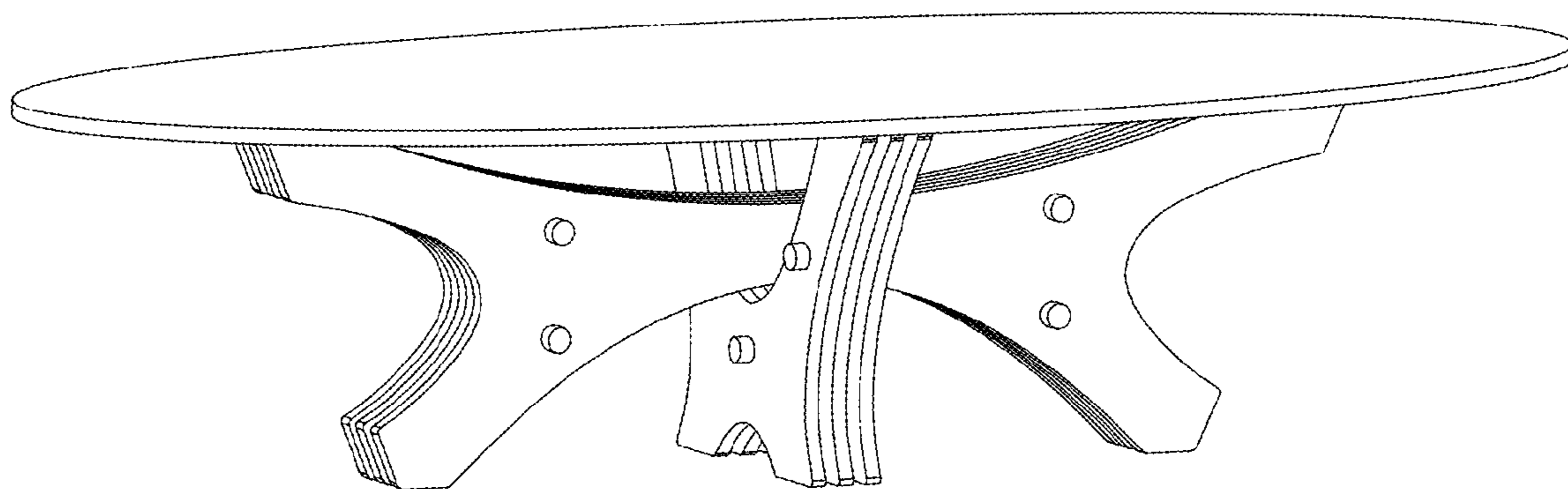
The ornamental design for a table, as shown and described.

DESCRIPTION

FIG. 1 is a front view of a table according to the present application.
FIG. 2 is a left side view of the table.
FIG. 3 is a right side view of the table.
FIG. 4 is a top view of the table.
FIG. 5 is a bottom view of the table; and,
FIG. 6 is a perspective view of the table.

1 Claim, 2 Drawing Sheets

(56) **References Cited**
U.S. PATENT DOCUMENTS
D161,217 S * 12/1950 Silverman D6/690
D200,413 S * 2/1965 Pearsall D6/708



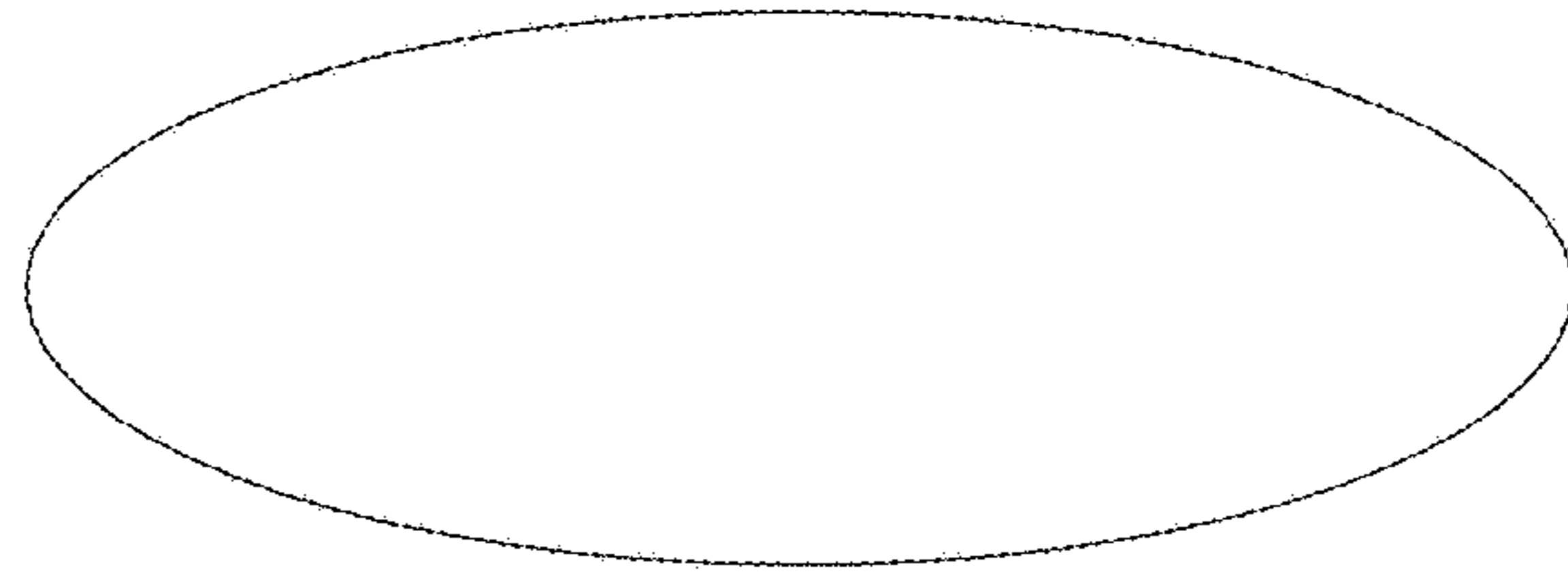


FIG. 4

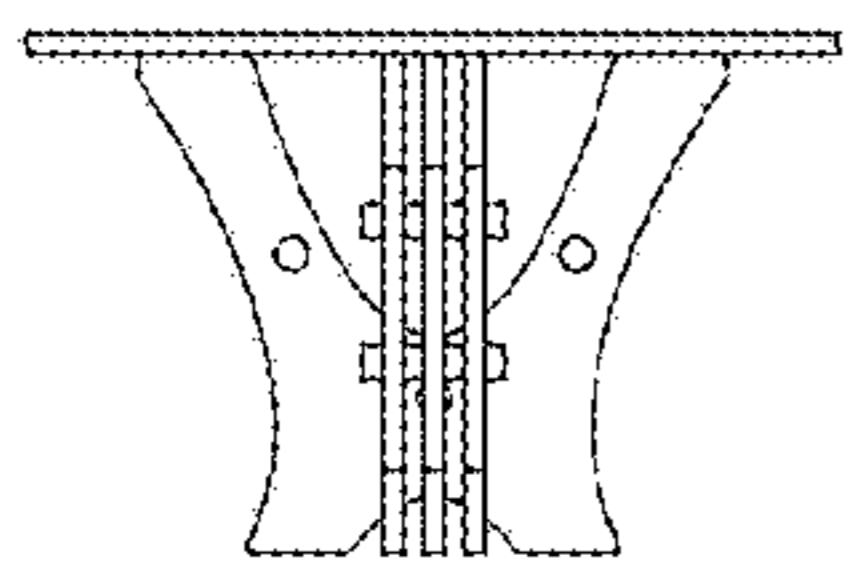


FIG. 3

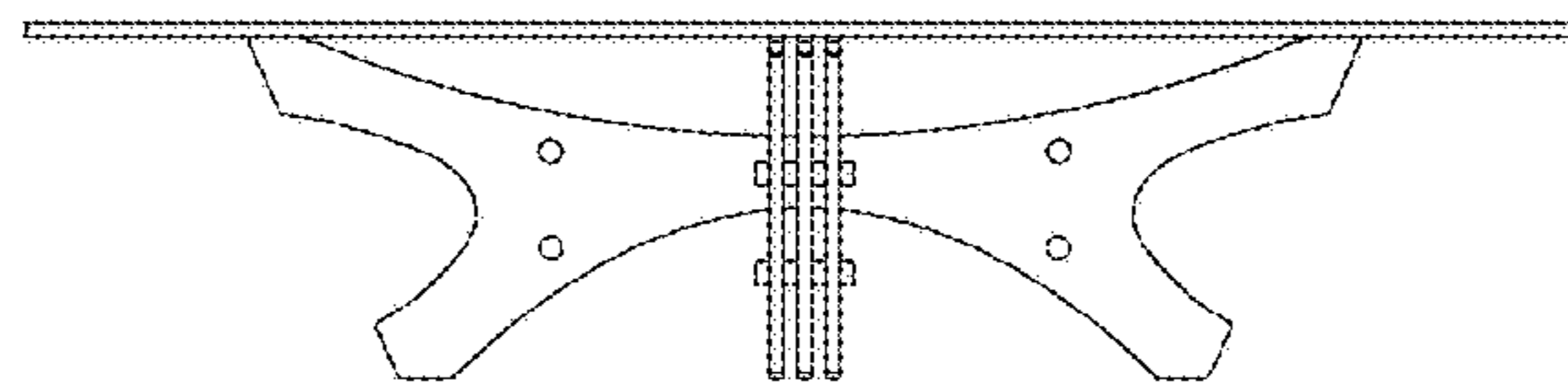


FIG. 1

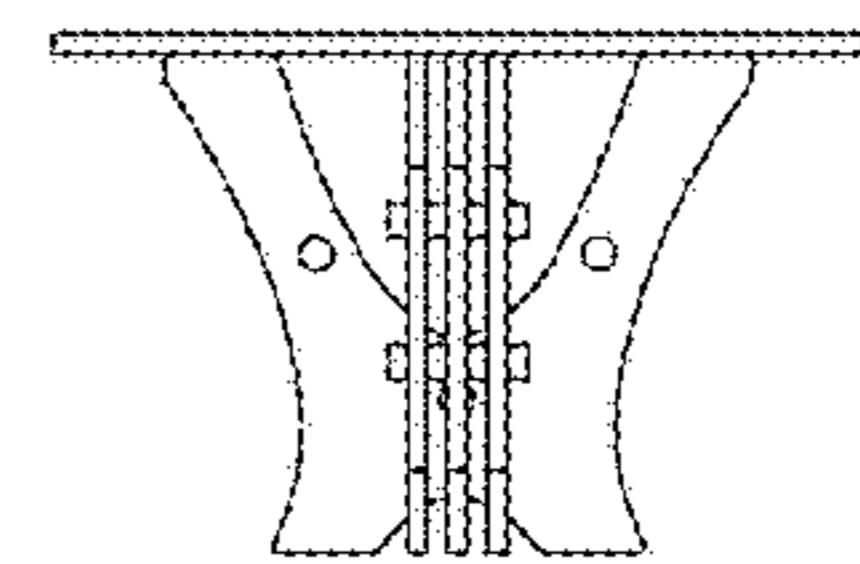


FIG. 2

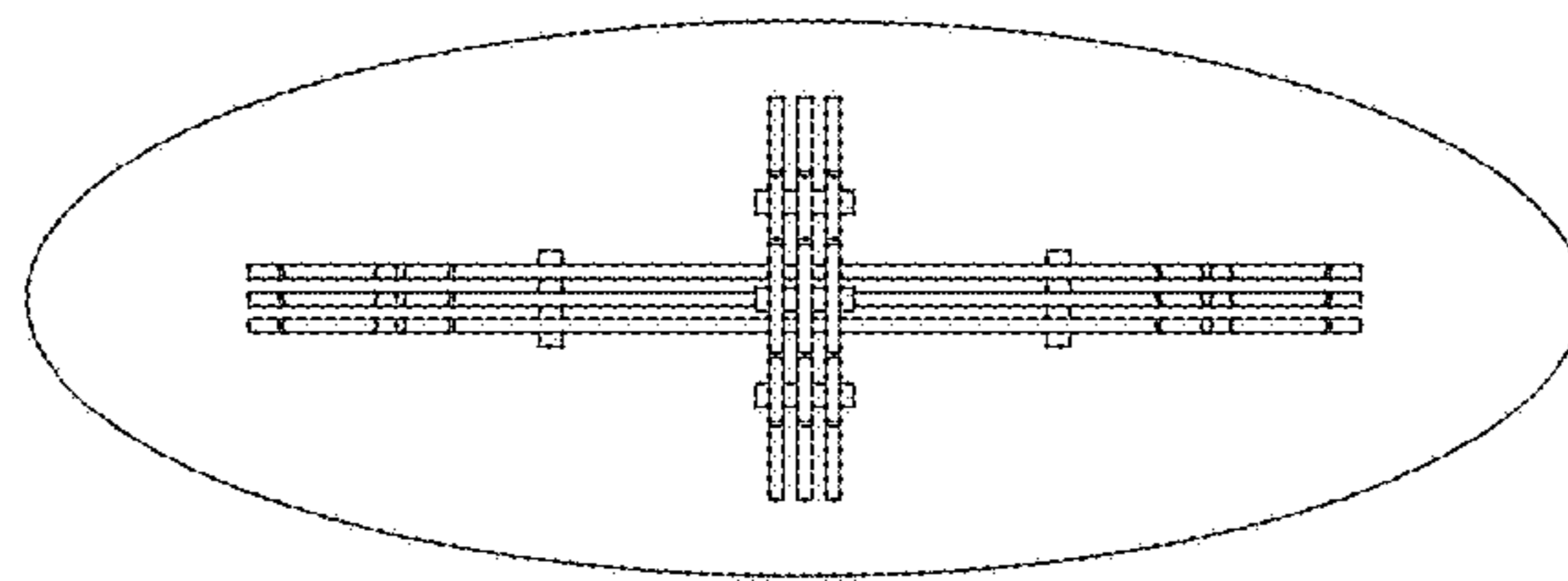


FIG. 5

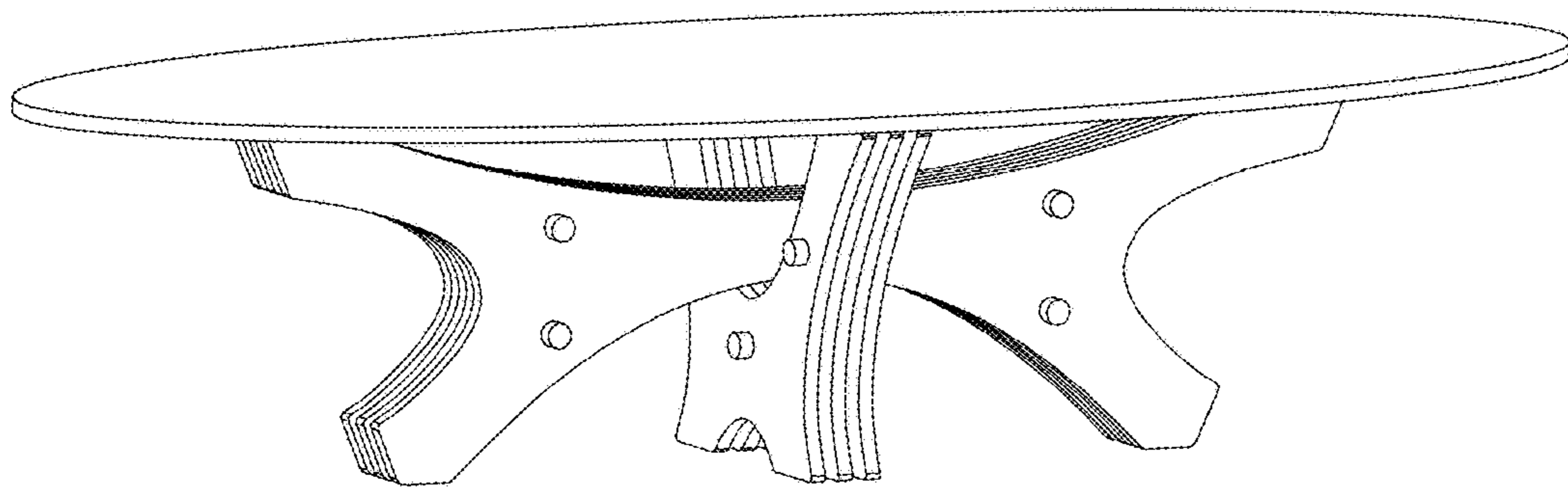


FIG. 6