



US00D820623S

(12) **United States Design Patent** (10) **Patent No.:** **US D820,623 S**
Akana et al. (45) **Date of Patent:** **** Jun. 19, 2018**

(54) **DISPLAY STAND**

(71) Applicant: **Apple Inc.**, Cupertino, CA (US)

(72) Inventors: **Jody Akana**, San Francisco, CA (US); **Molly Anderson**, San Francisco, CA (US); **Bartley K. Andre**, Palo Alto, CA (US); **Shota Aoyagi**, San Francisco, CA (US); **Anthony Michael Ashcroft**, San Francisco, CA (US); **Marine C. Bataille**, San Francisco, CA (US); **Jeremy Bataillou**, San Francisco, CA (US); **Daniele De Iuliis**, San Francisco, CA (US); **Markus Diebel**, San Francisco, CA (US); **Jean-Marc Gady**, Los Altos, CA (US); **M. Evans Hankey**, San Francisco, CA (US); **Julian Hoenig**, San Francisco, CA (US); **Richard P. Howarth**, San Francisco, CA (US); **Jonathan P. Ive**, San Francisco, CA (US); **Julian Jaede**, San Francisco, CA (US); **Duncan Robert Kerr**, San Francisco, CA (US); **Peter Russell-Clarke**, San Francisco, CA (US); **Benjamin Andrew Shaffer**, San Jose, CA (US); **Mikael Silvanto**, San Francisco, CA (US); **Christopher J. Stringer**, Woodside, CA (US); **Sung-Ho Tan**, San Francisco, CA (US); **Clement Tissandier**, San Francisco, CA (US); **Eugene Antony Whang**, San Francisco, CA (US); **Rico Zörkendörfer**, San Francisco, CA (US)

(73) Assignee: **Apple Inc.**, Cupertino, CA (US)

(**) Term: **15 Years**

(21) Appl. No.: **29/563,756**

(22) Filed: **May 6, 2016**

(51) **LOC (11) Cl.** **06-03**

(52) **U.S. Cl.**
USPC **D6/682.4**

(58) **Field of Classification Search**
USPC D6/682-682.6; D7/409; D20/27;
D28/7-8, 16, 73, 83; D99/34
CPC A45D 33/008; A45D 33/24
See application file for complete search history.

(56) **References Cited**

U.S. PATENT DOCUMENTS

D381,515 S *	7/1997	Haynes	D24/224
D575,147 S *	8/2008	Ruybal	D99/34
D589,787 S *	4/2009	Ruybal	D99/34
D597,256 S *	7/2009	Liden	D28/83
D679,944 S *	4/2013	Meyer	D7/352
D682,485 S *	5/2013	Wygle	D30/129
D686,784 S *	7/2013	Elliott	D30/133
D703,001 S *	4/2014	Gross	D7/555

(Continued)

Primary Examiner — Garth Rademaker

Assistant Examiner — Melvin L Davis

(74) *Attorney, Agent, or Firm* — Sterne, Kessler, Goldstein & Fox P.L.L.C.

(57) **CLAIM**

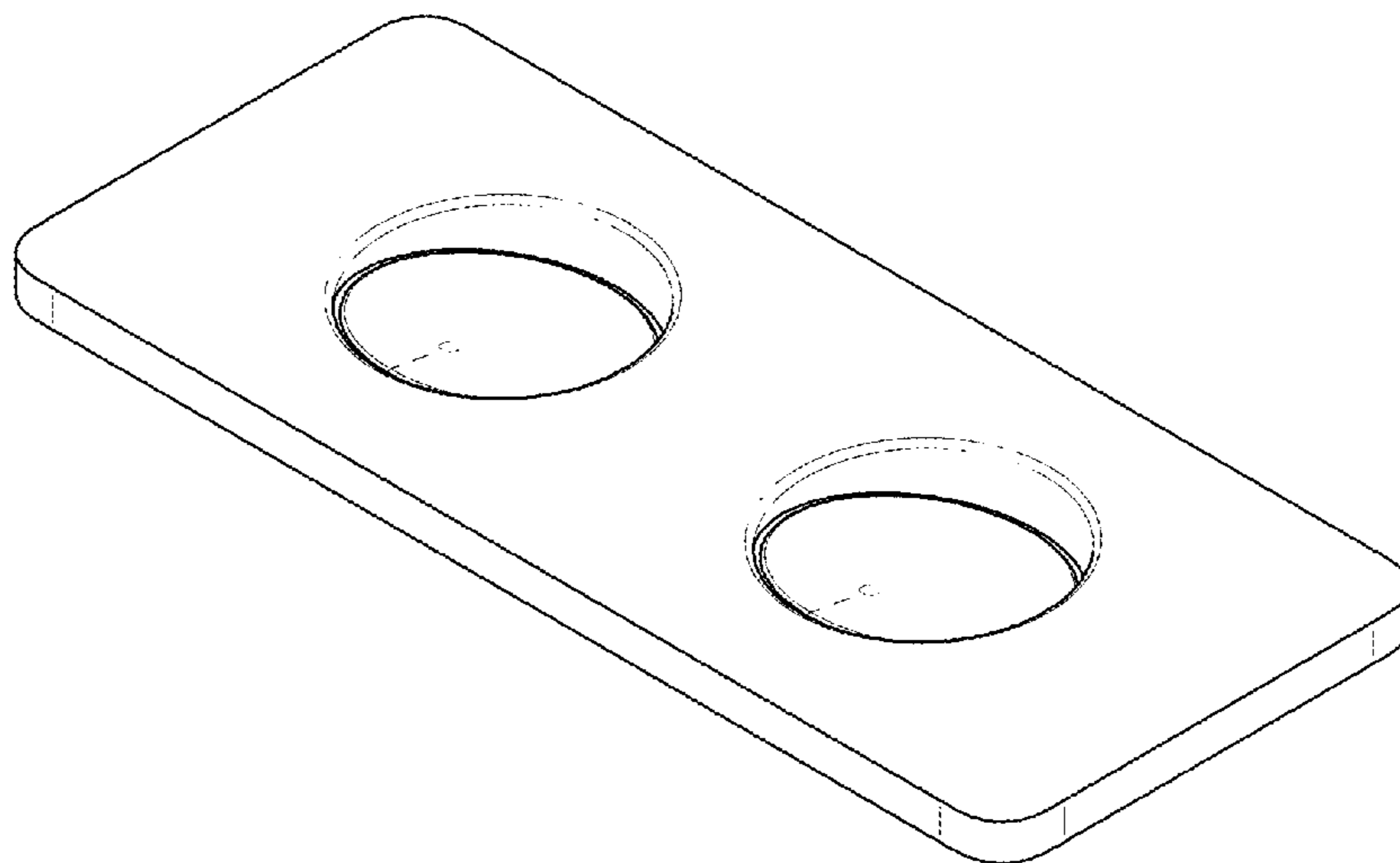
The ornamental design for a display stand, as shown and described.

DESCRIPTION

FIG. 1 is a top front perspective view of a display stand showing the claimed design;
FIG. 2 is a front view thereof;
FIG. 3 is a rear view thereof;
FIG. 4 is a left side view thereof;
FIG. 5 is a right side view thereof;
FIG. 6 is a top view thereof; and,
FIG. 7 is a bottom view thereof.

The broken lines in the figures show portions of the display stand that form no part of the claimed design.

1 Claim, 3 Drawing Sheets



(56)

References Cited

U.S. PATENT DOCUMENTS

D730,342 S *	5/2015	Kim	D14/250
D772,494 S *	11/2016	Wu	D30/133
D807,129 S *	1/2018	Martinez	D7/701
D810,679 S *	2/2018	Patton	D13/108
2006/0027481 A1 *	2/2006	Gelardi	A45D 33/008 206/581

* cited by examiner

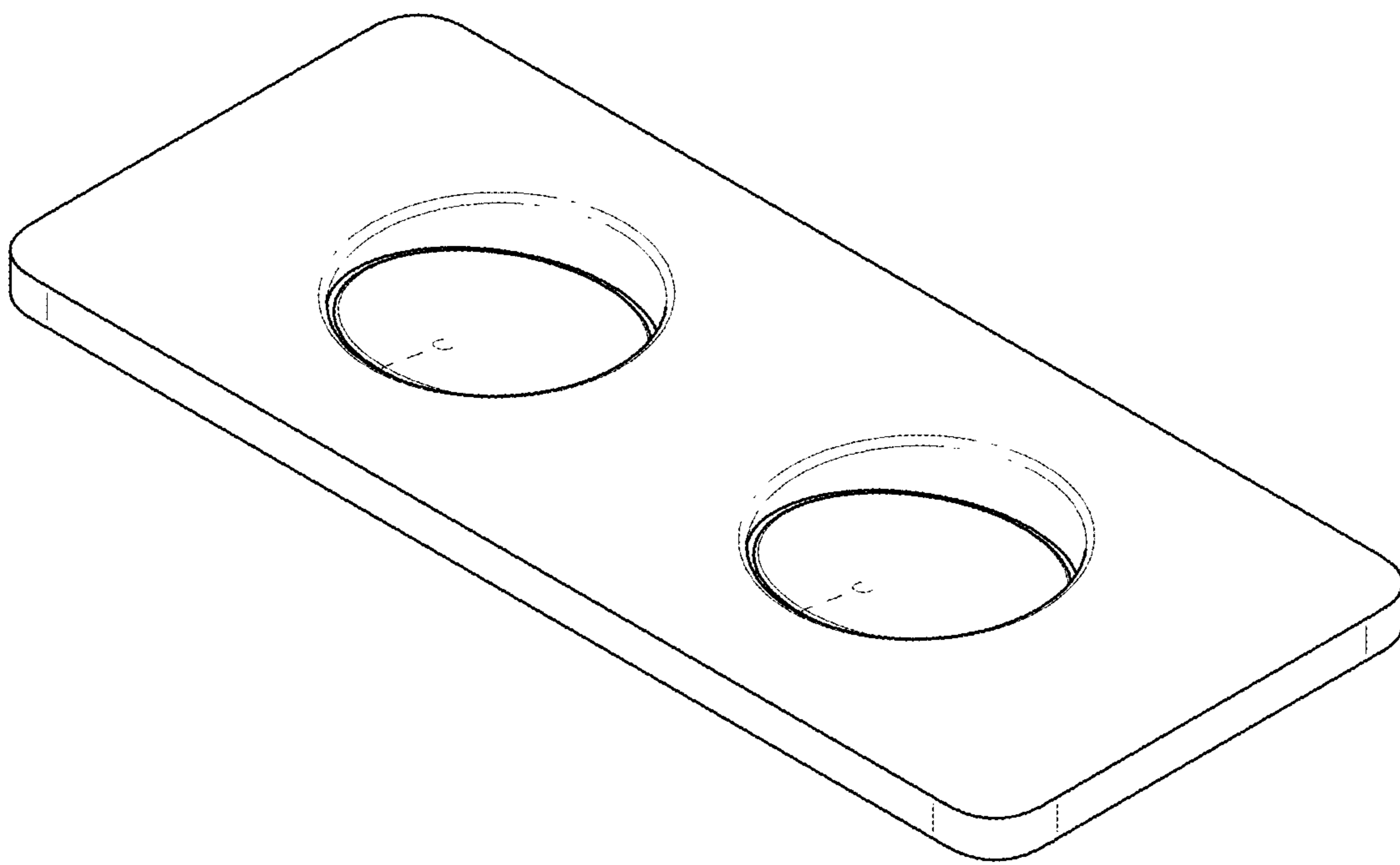


FIG. 1



FIG. 2



FIG. 3



FIG. 4



FIG. 5

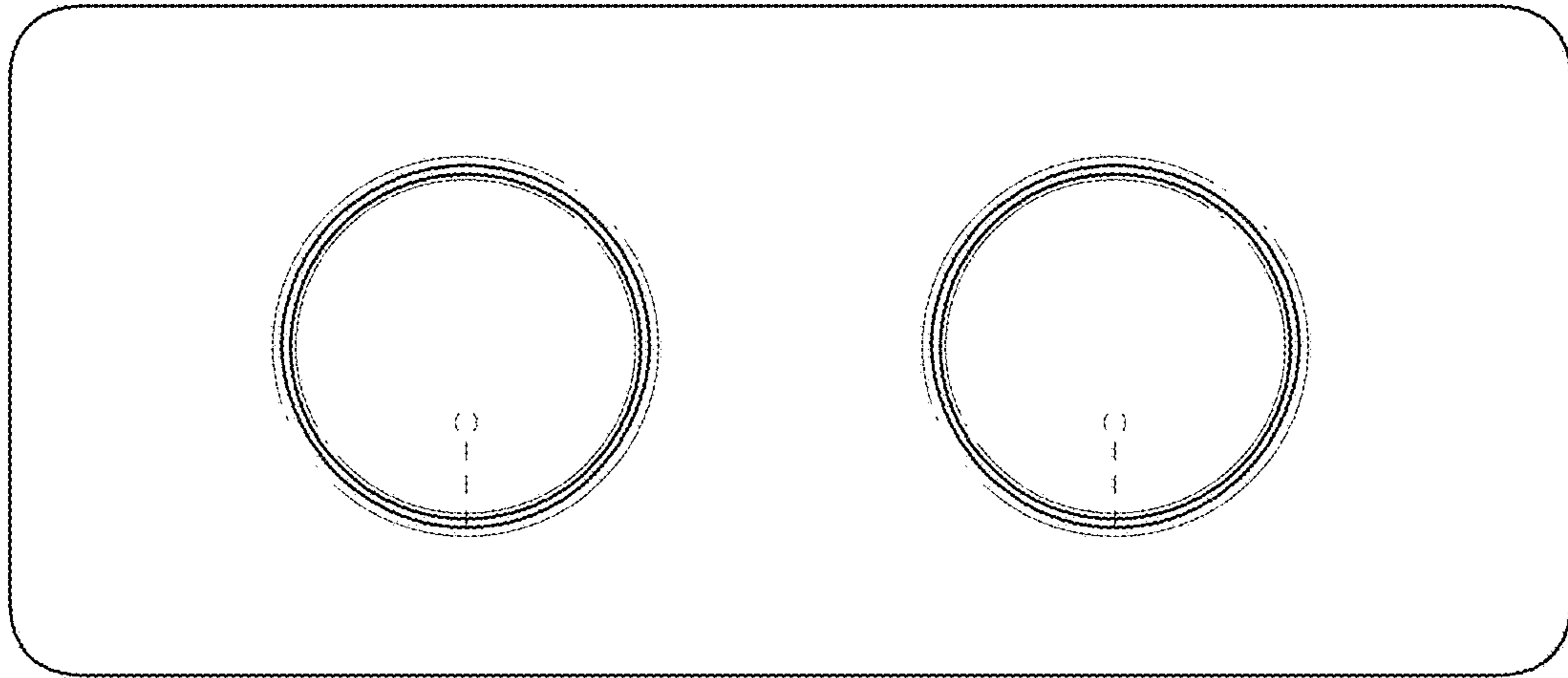


FIG. 6

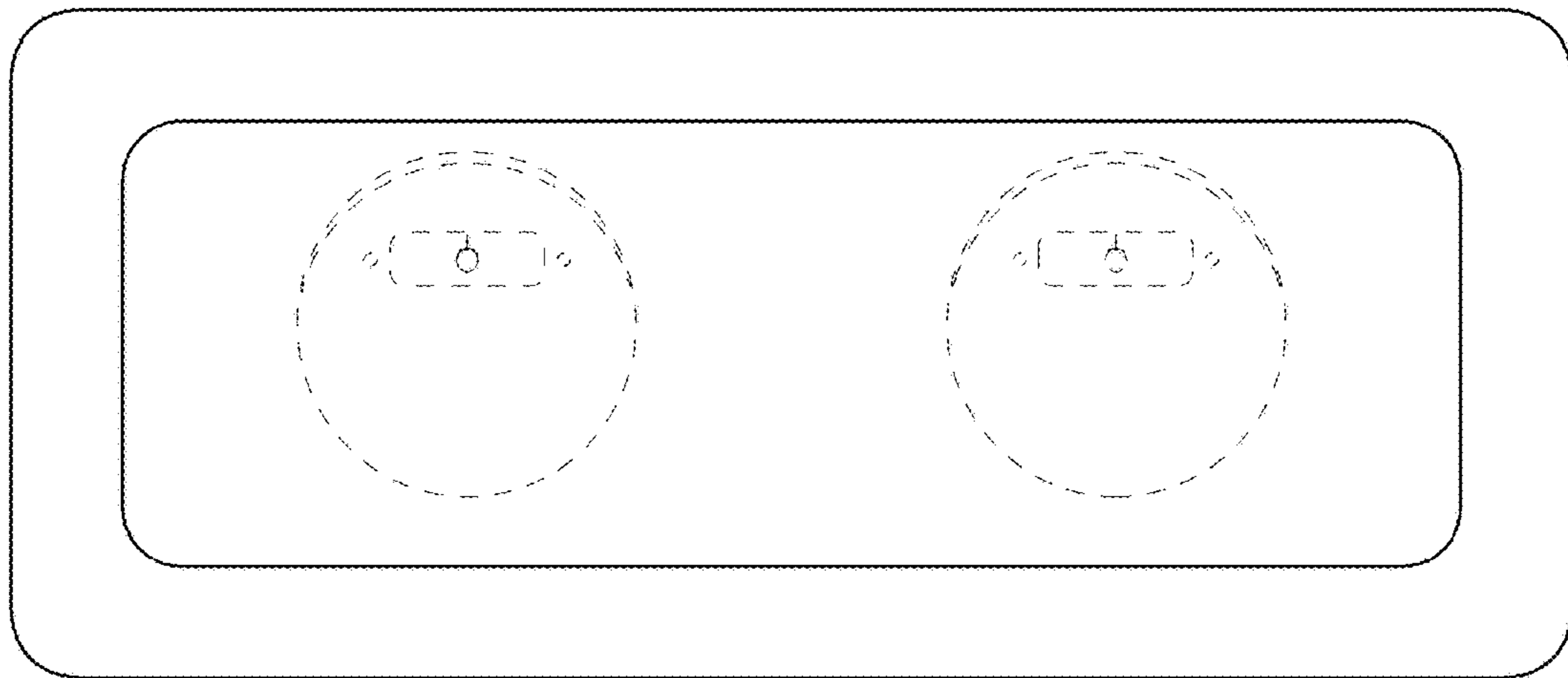


FIG. 7