

US00D820620S

(12) **United States Design Patent**
McLoud

(10) **Patent No.:** **US D820,620 S**
(45) **Date of Patent:** **** Jun. 19, 2018**

- (54) **PILLOW HOLDER**
- (71) Applicant: **Kristina McLoud**, Gurnee, IL (US)
- (72) Inventor: **Kristina McLoud**, Gurnee, IL (US)
- (**) Term: **15 Years**
- (21) Appl. No.: **29/611,418**
- (22) Filed: **Jul. 21, 2017**

Related U.S. Application Data

- (62) Division of application No. 29/549,748, filed on Dec. 28, 2015, now Pat. No. Des. 801,087.
- (51) **LOC (11) Cl.** **06-06**
- (52) **U.S. Cl.**
USPC **D6/681.1**
- (58) **Field of Classification Search**
USPC D6/672, 673, 675, 675.1, 681, 681.1,
D6/683, 601, 607; D3/304, 314, 328
CPC B65D 21/02; B65D 1/00; B65D 25/38;
B65D 63/00; B65D 85/16; B65D 85/62
See application file for complete search history.

5,595,312 A	1/1997	Dardashti
5,722,544 A	3/1998	Williams
D406,205 S	3/1999	Dardashti
5,908,121 A	6/1999	Dardashti
5,964,360 A	10/1999	Hwang
5,971,174 A	10/1999	Strock
6,062,150 A	5/2000	Sikora et al.
6,092,475 A	7/2000	Langer et al.
6,119,873 A	9/2000	Matthews
6,230,904 B1	5/2001	Licari
D446,052 S	8/2001	Bourne
6,308,837 B1	10/2001	Bragg et al.
D451,555 S	12/2001	Smith
6,520,356 B2	2/2003	Miller
D479,062 S	9/2003	Meyer
6,997,332 B1	2/2006	Alexander et al.
D554,187 S	10/2007	Bonaventura
D554,188 S	10/2007	Bonaventura

(Continued)

Primary Examiner — Kelley Donnelly
(74) *Attorney, Agent, or Firm* — Global Intellectual Property Agency, LLC; Jordan Sworen

(57) **CLAIM**

The ornamental design for a pillow holder, as shown and described.

(56) **References Cited**

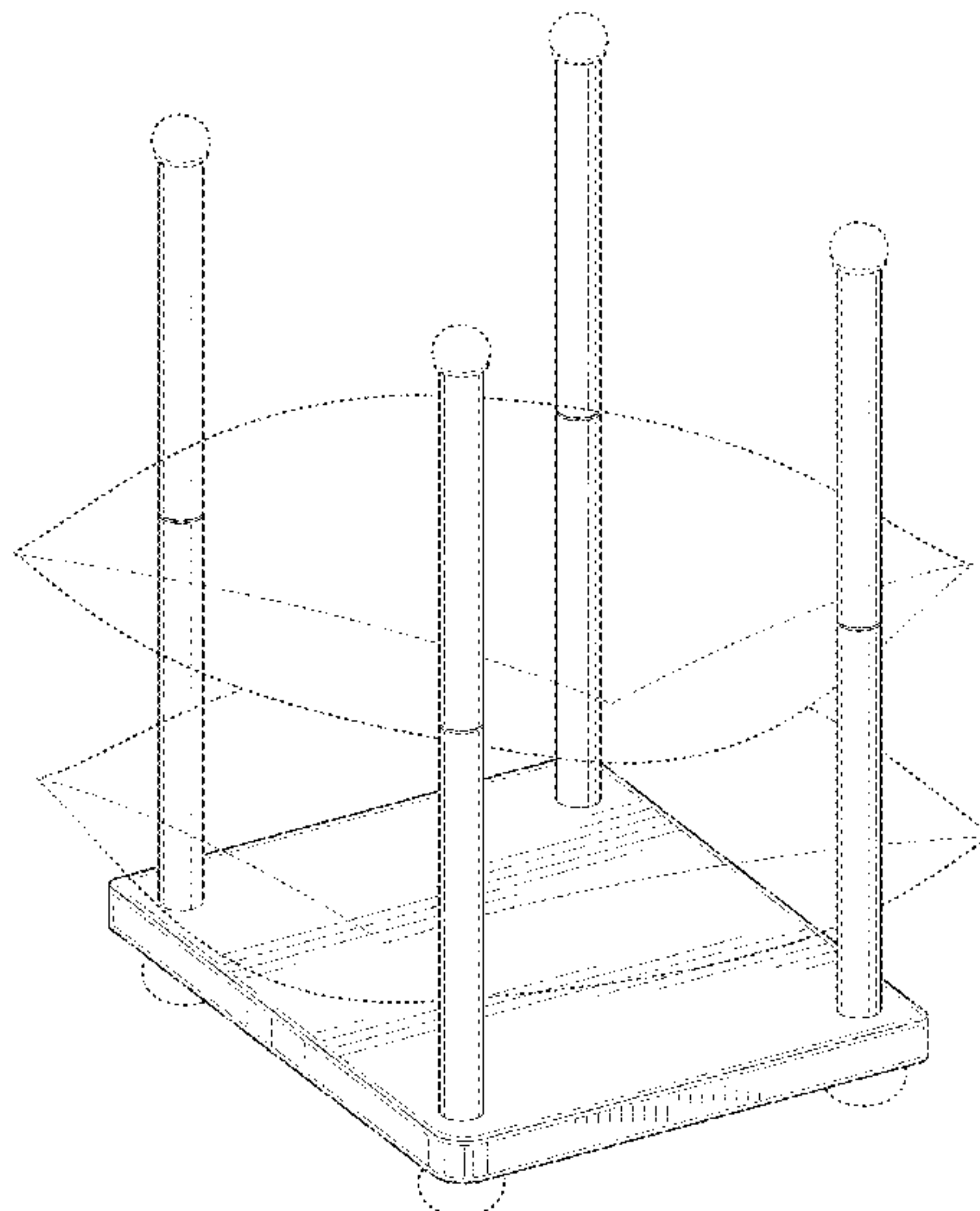
U.S. PATENT DOCUMENTS

584,906 A	6/1897	Tribolet
2,538,612 A	1/1951	Wuollet
3,684,285 A	8/1972	Kane
3,856,472 A	12/1974	Schweitzer et al.
D243,504 S	3/1977	Morrison
4,298,126 A	11/1981	Filipowicz
D278,497 S	4/1985	Walpin
D278,669 S	5/1985	Walpin
D289,080 S	3/1987	Einsel
D290,254 S	6/1987	Arevalo
4,919,278 A	4/1990	Howen
4,961,506 A	10/1990	Lang
D328,535 S	8/1992	Dupre et al.
D359,180 S	6/1995	Bedney
5,522,498 A	6/1996	Chang

DESCRIPTION

FIG. 1 shows a perspective view of the pillow holder. FIG. 2 shows a right side elevation view thereof. FIG. 3 shows a left side elevation view thereof. FIG. 4 shows a front elevation view thereof. FIG. 5 shows a rear elevation view thereof. FIG. 6 shows a top elevation view thereof; and, FIG. 7 shows a bottom elevation view thereof. The broken lines shown in the drawings represent environmental effects or potential embodiments and do not form any part of the claimed design. The difference in shading in the figures indicates a contrast of color and does not depict any particular color, texture, or material.

1 Claim, 7 Drawing Sheets



(56)

References Cited

U.S. PATENT DOCUMENTS

D568,066	S	5/2008	Cohen
D568,636	S	5/2008	Cohen
D569,131	S	5/2008	Cohen
D664,377	S	7/2012	Pennacchio
8,418,874	B2	4/2013	Ahlgrim et al.
8,944,533	B2	2/2015	Hofmann et al.
D744,771	S	12/2015	Subbi et al.
2007/0278170	A1	12/2007	Wiebe
2008/0156759	A1	7/2008	Lai
2008/0302748	A1	12/2008	Tsai

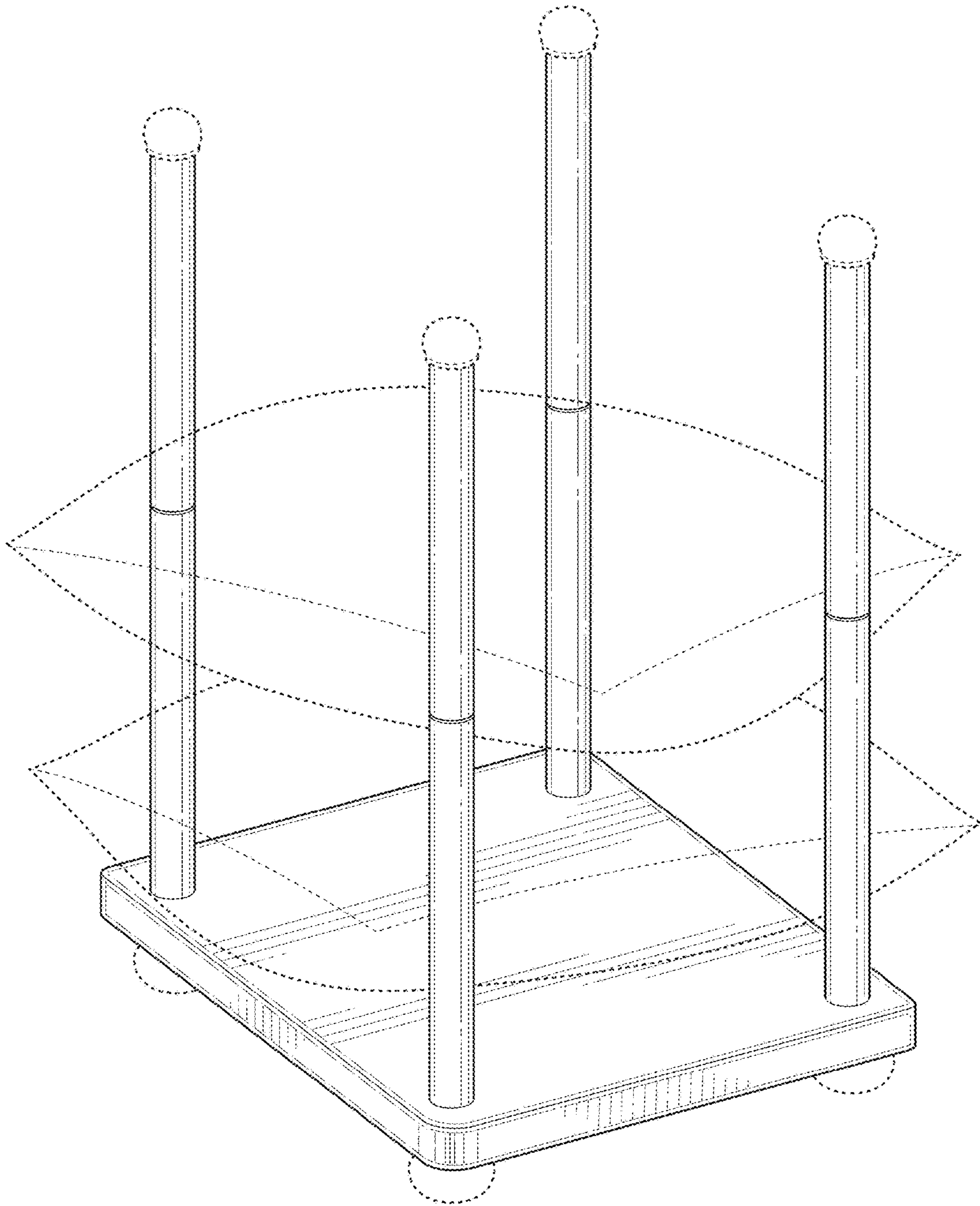


FIG. 1

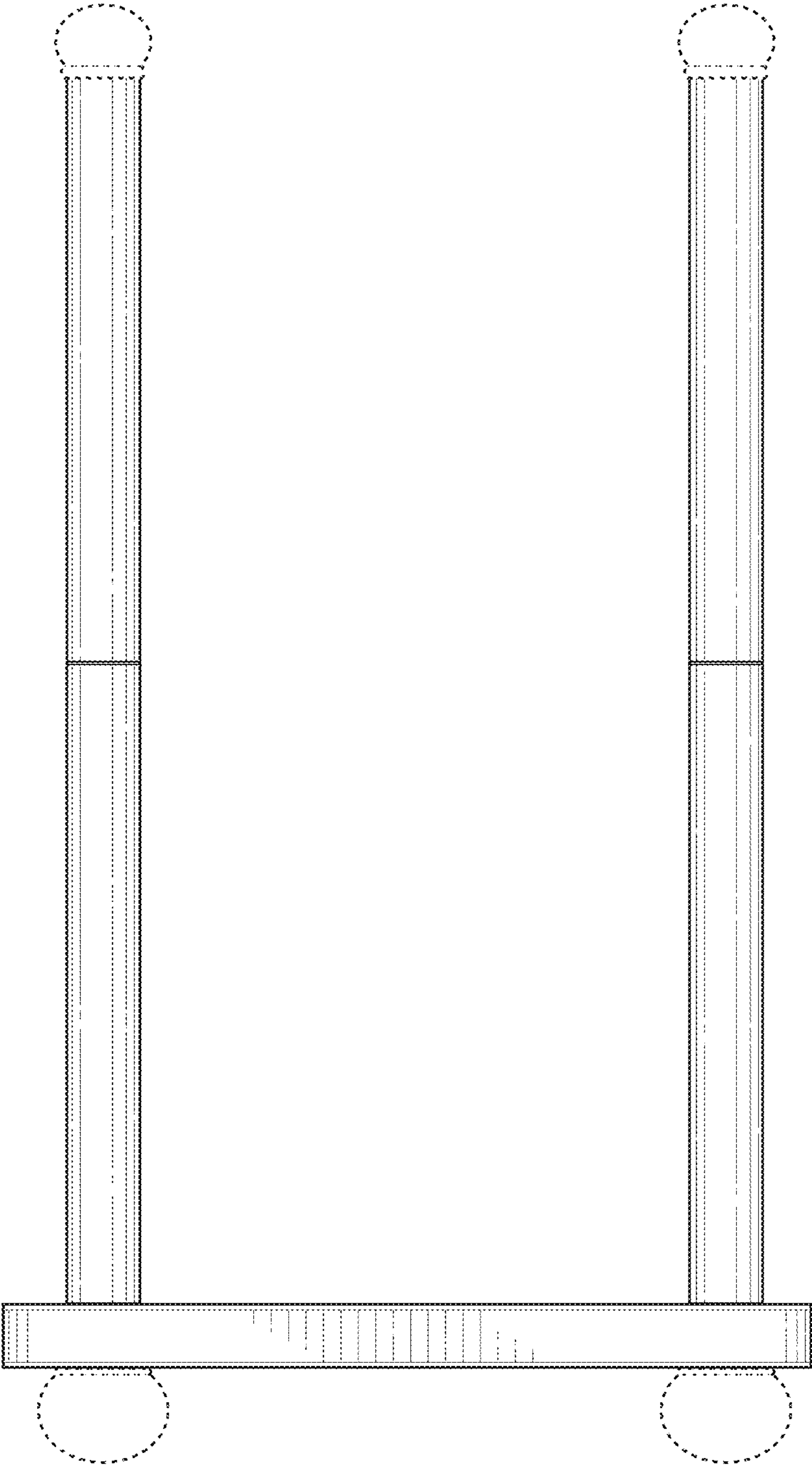


FIG. 2

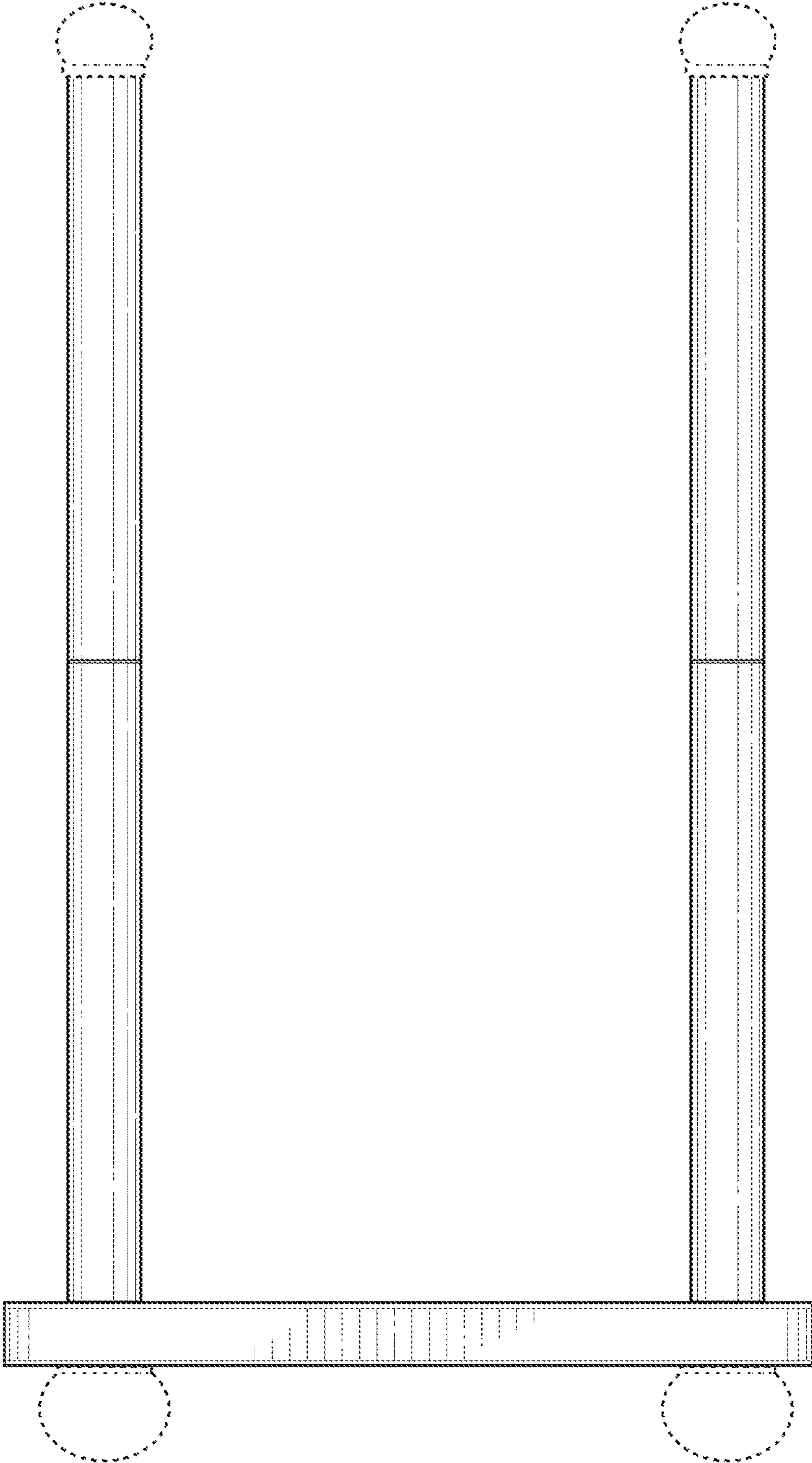


FIG. 3

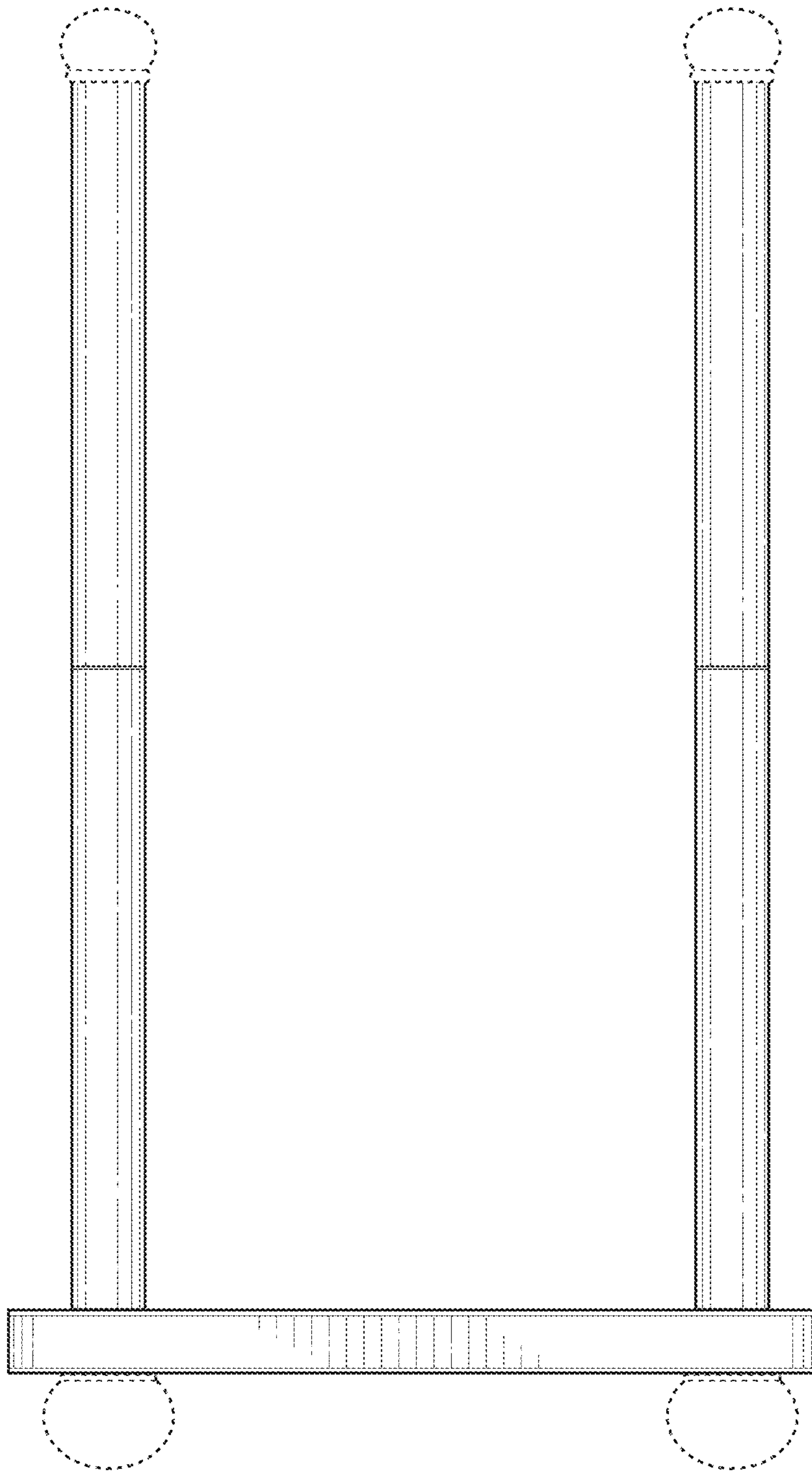


FIG. 4

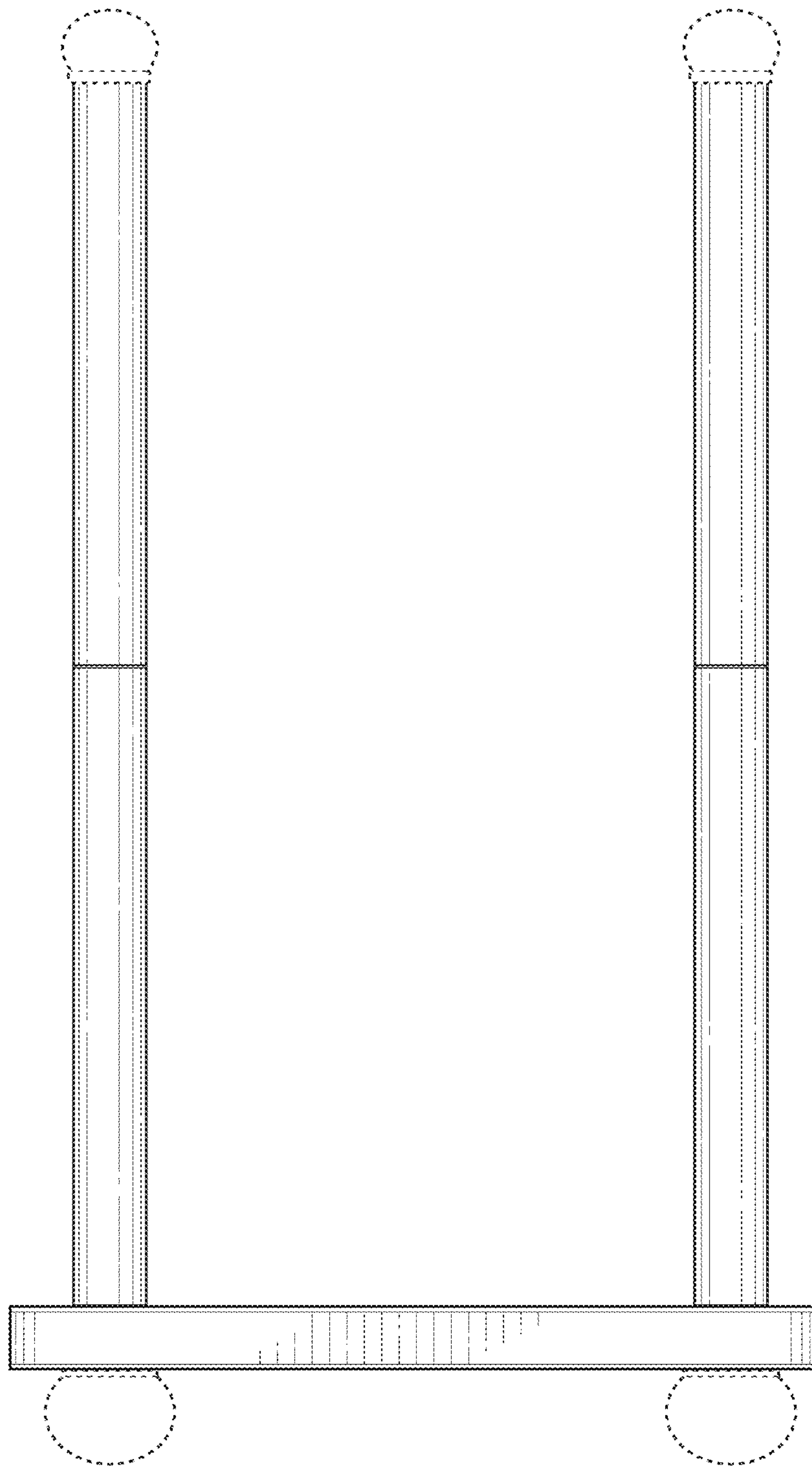


FIG. 5

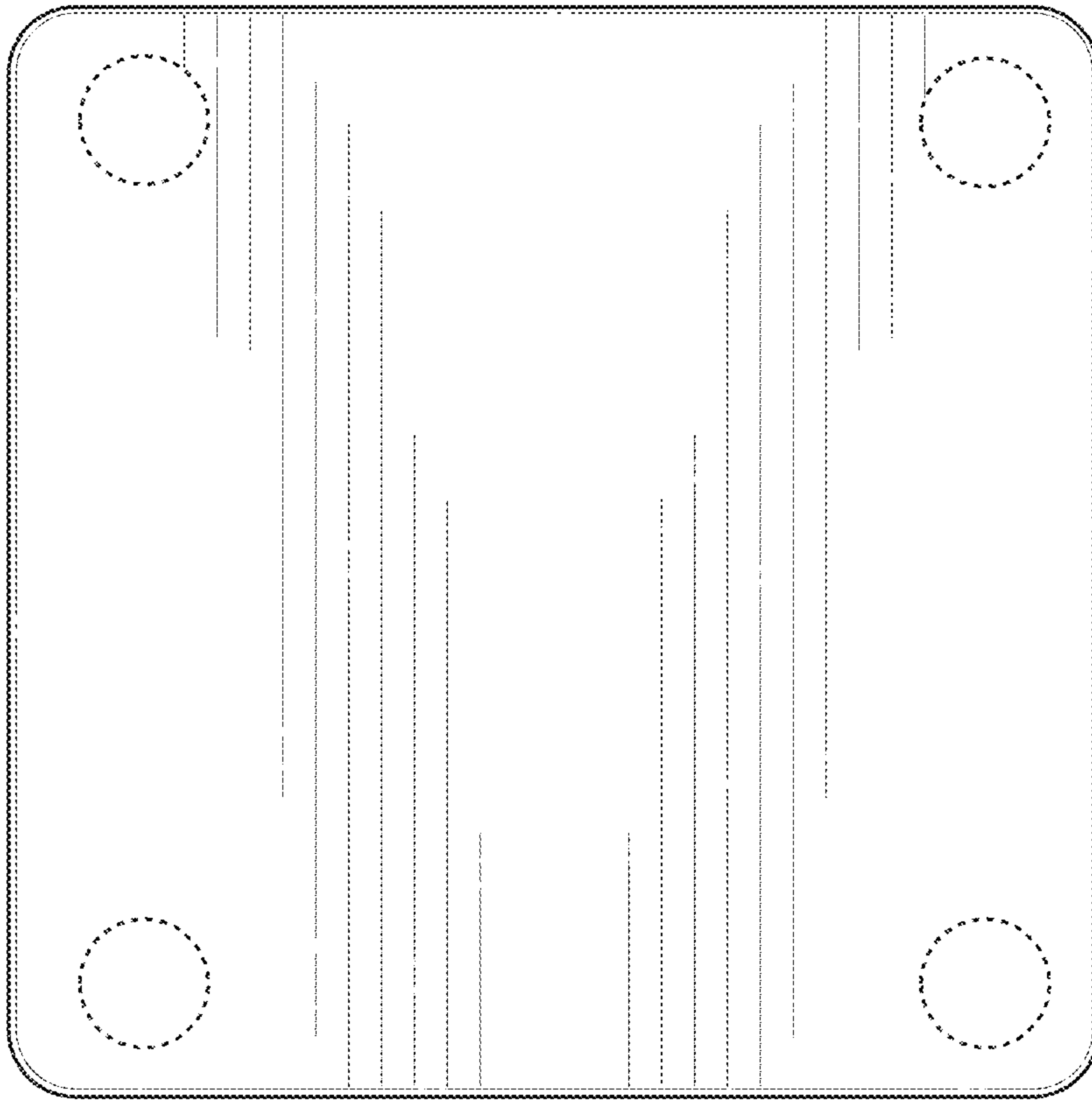


FIG. 6

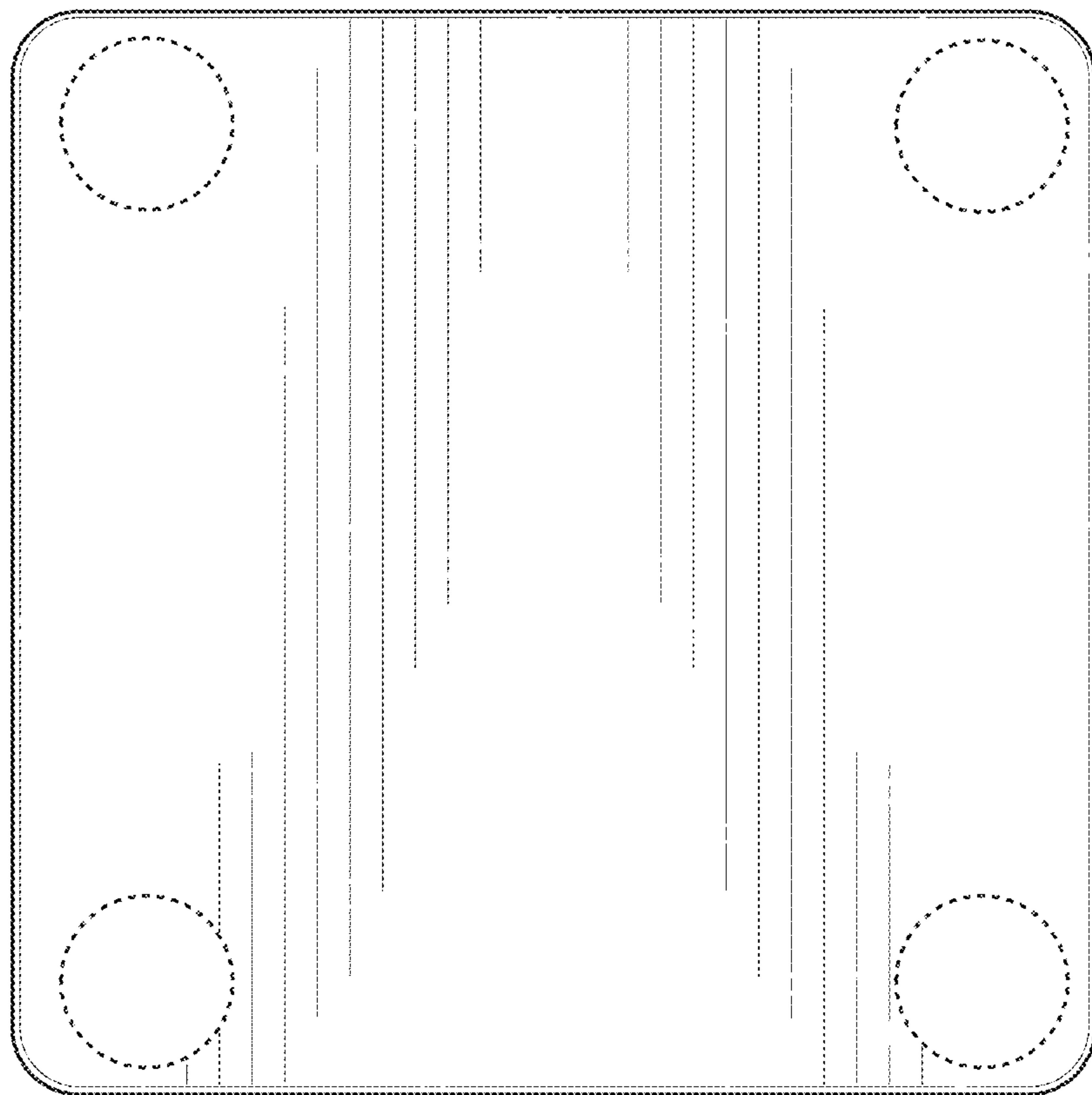


FIG. 7