



US00D820617S

(12) **United States Design Patent**
Tsui

(10) **Patent No.:** **US D820,617 S**
(45) **Date of Patent:** **** Jun. 19, 2018**

- (54) **BAG DISPENSER**
- (71) Applicant: **Duratech Plastics Corporation**,
Carlstadt, NJ (US)
- (72) Inventor: **Jonathan J. Tsui**, Wyckoff, NJ (US)
- (73) Assignee: **DURATECH PLASTICS CORPORATION**, Carlstadt, NJ (US)
- (**) Term: **15 Years**
- (21) Appl. No.: **29/568,617**
- (22) Filed: **Jun. 20, 2016**

5,558,262 A	9/1996	Simhaee	
5,573,168 A	11/1996	Kannankeril et al.	
5,706,993 A	1/1998	Dematteis	
5,813,585 A	9/1998	Kannankeril et al.	
5,934,535 A	8/1999	Kannankeril et al.	
6,199,788 B1	3/2001	Simhaee	
6,279,806 B1	8/2001	Simhaee	
6,431,396 B1 *	8/2002	Daniels	B65H 35/10 206/554
6,481,594 B1	11/2002	Yeh et al.	
6,561,403 B1	5/2003	Kannankeril et al.	
7,128,251 B1	10/2006	Galle	
D532,216 S *	11/2006	Calabria	D6/678.4
D551,007 S *	9/2007	Trinko	D6/518
7,424,963 B2	9/2008	Daniels	

(Continued)

Primary Examiner — Lauren R Calve
(74) *Attorney, Agent, or Firm* — Chiesa Shahinian & Giantomasi PC

Related U.S. Application Data

- (63) Continuation of application No. 13/300,093, filed on Nov. 18, 2011.
- (51) **LOC (11) Cl.** **06-04**
- (52) **U.S. Cl.**
USPC **D6/566; D6/518**
- (58) **Field of Classification Search**
USPC D6/518, 512, 553, 559, 560, 566, 567,
D6/572, 573, 574; D7/601, 608, 622,
D7/704; D3/201, 202, 205, 306, 304,
D3/316
CPC . B65H 35/10; B65H 2701/191; A47F 13/085;
A47F 2009/044; Y10T 225/393
See application file for complete search history.

(57) **CLAIM**

The ornamental design for a bag dispenser, as shown and described.

DESCRIPTION

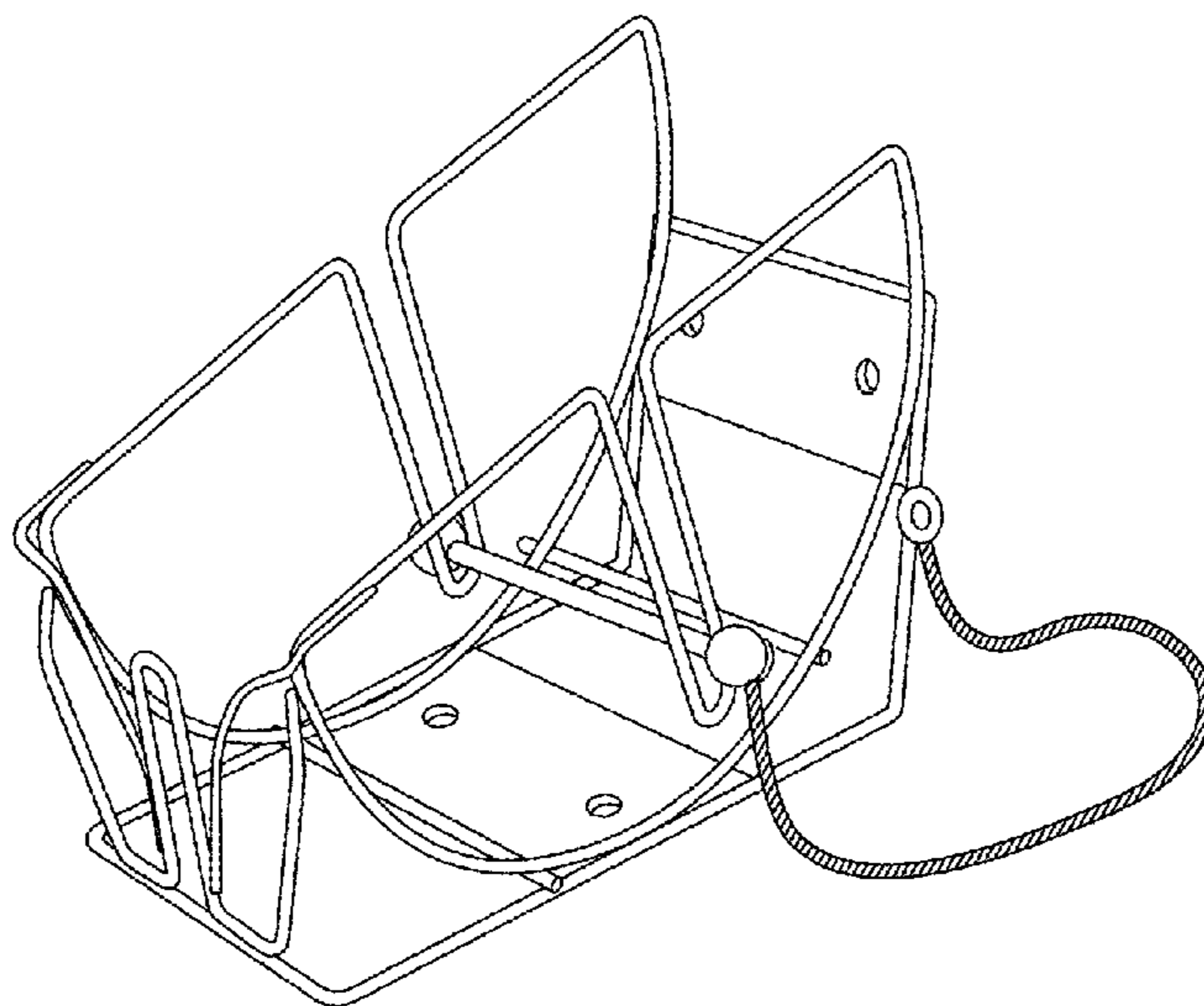
FIG. 1 is a front left perspective view of a design of a bag dispenser shown in environmental use;
FIG. 2 is a front left perspective view of the bag dispenser;
FIG. 3 is a front top perspective view of the bag dispenser shown in an alternate position;
FIG. 4 is a left side view thereof;
FIG. 5 is a right side view thereof;
FIG. 6 is a front view of the bag dispenser of FIG. 2;
FIG. 7 is a rear view thereof;
FIG. 8 is a top view thereof; and,
FIG. 9 is a bottom view thereof.
The broken lines shown represent unclaimed subject matter and form no part of the claimed design.

(56) **References Cited**

U.S. PATENT DOCUMENTS

D158,567 S *	5/1950	Engstrom	D3/306
D178,601 S *	8/1956	Gilardi	D3/306
D194,213 S *	12/1962	Bargen et al.	D6/566
D264,761 S *	6/1982	Dekarski	D3/306
5,219,424 A	6/1993	Simhaee	
5,480,084 A *	1/1996	Daniels	B26F 3/002 225/106
5,556,019 A	9/1996	Morris	

1 Claim, 5 Drawing Sheets



(56)

References Cited

U.S. PATENT DOCUMENTS

7,591,405	B2	9/2009	Daniels	
D661,929	S *	6/2012	Purcell	D3/306
D711,736	S *	8/2014	Strom	D9/416
8,875,968	B2 *	11/2014	Tan	B65H 35/10 225/10
2002/0160896	A1	10/2002	Yeh et al.	
2004/0007607	A1 *	1/2004	Daniels	A47F 9/042 225/93
2005/0098600	A1 *	5/2005	Yeh	B65D 33/002 225/93
2011/0073629	A1	3/2011	Tseng	
2012/0125970	A1 *	5/2012	Tsui	A47F 13/085 225/106

* cited by examiner

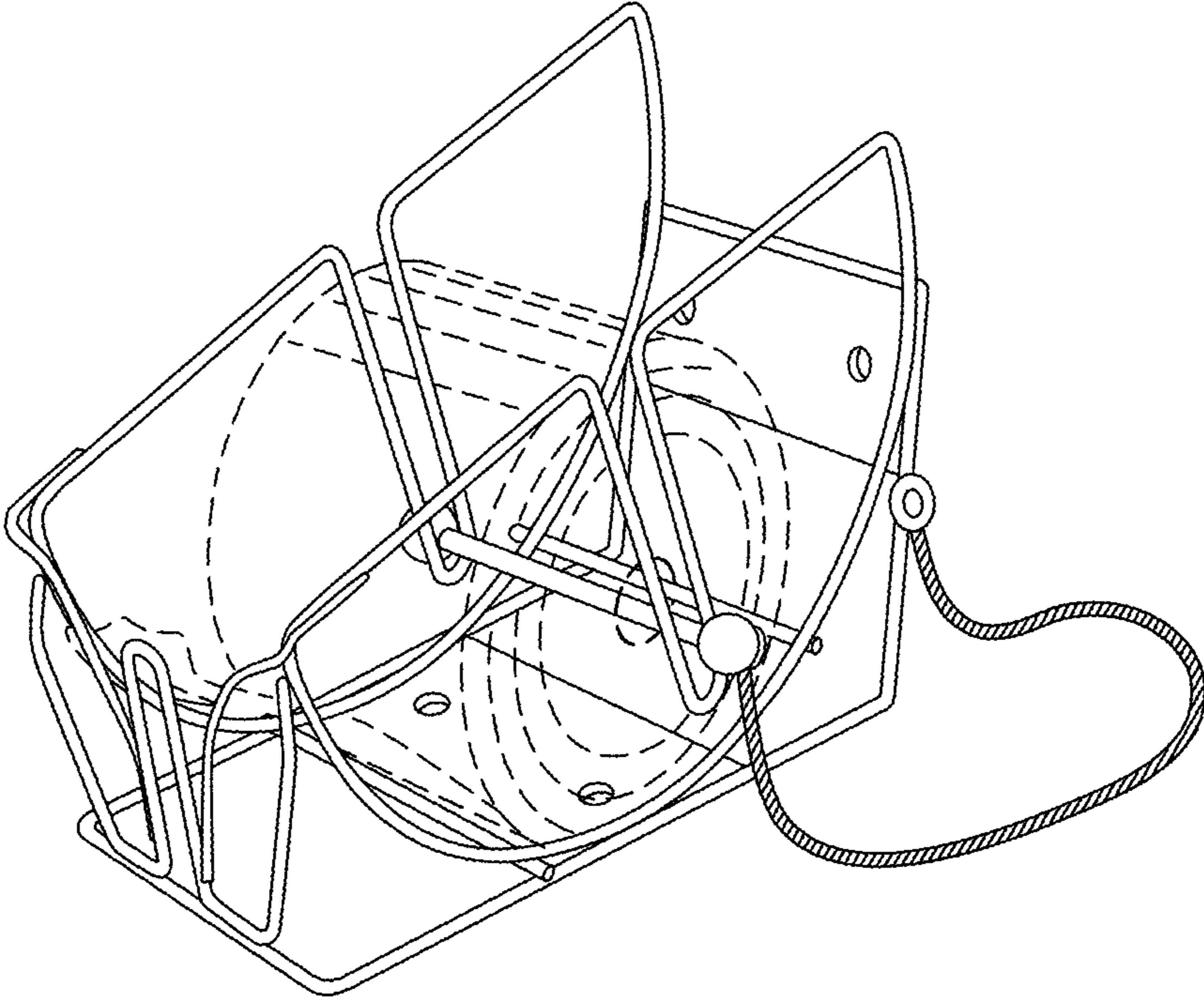


FIG. 1

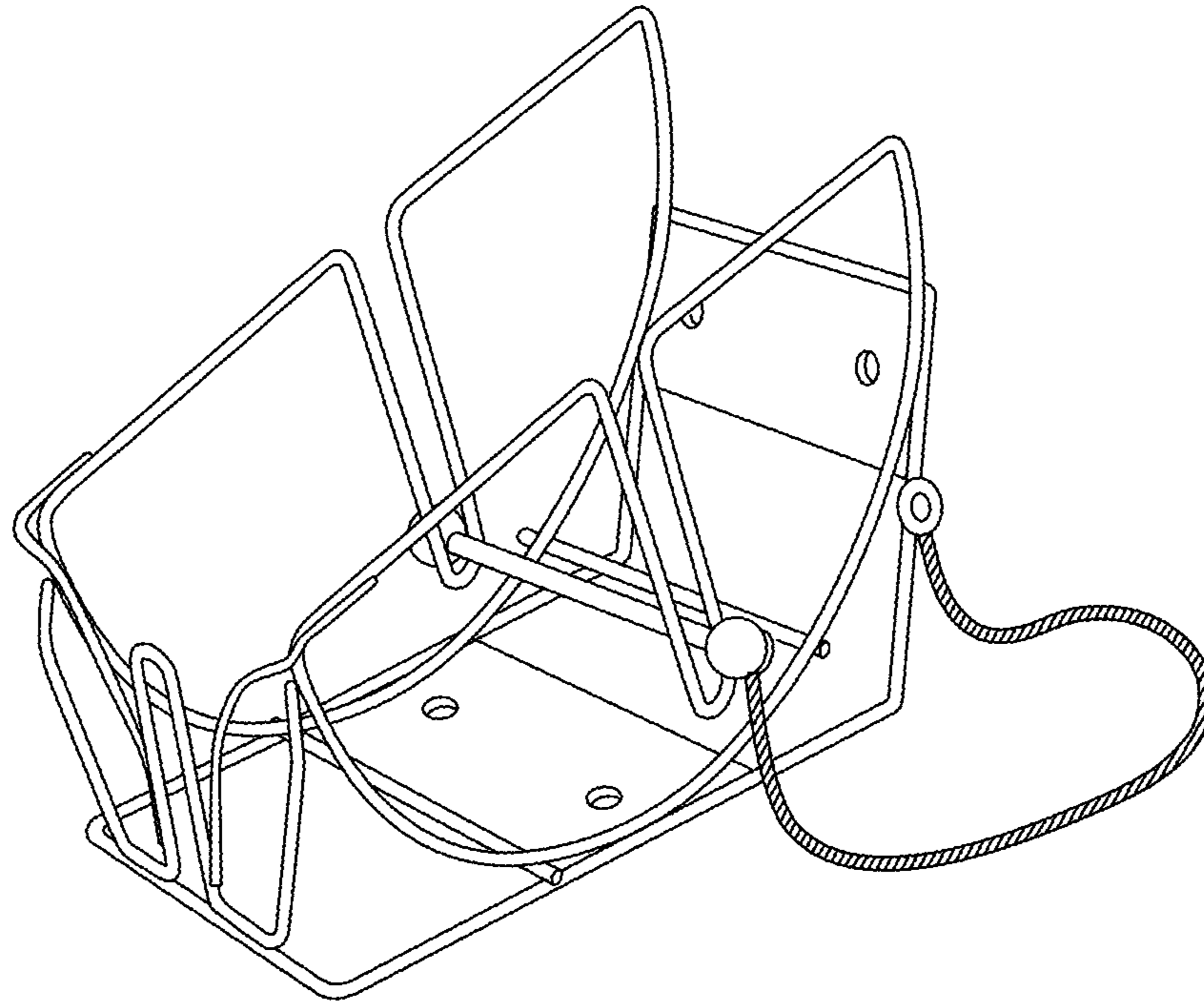


FIG. 2

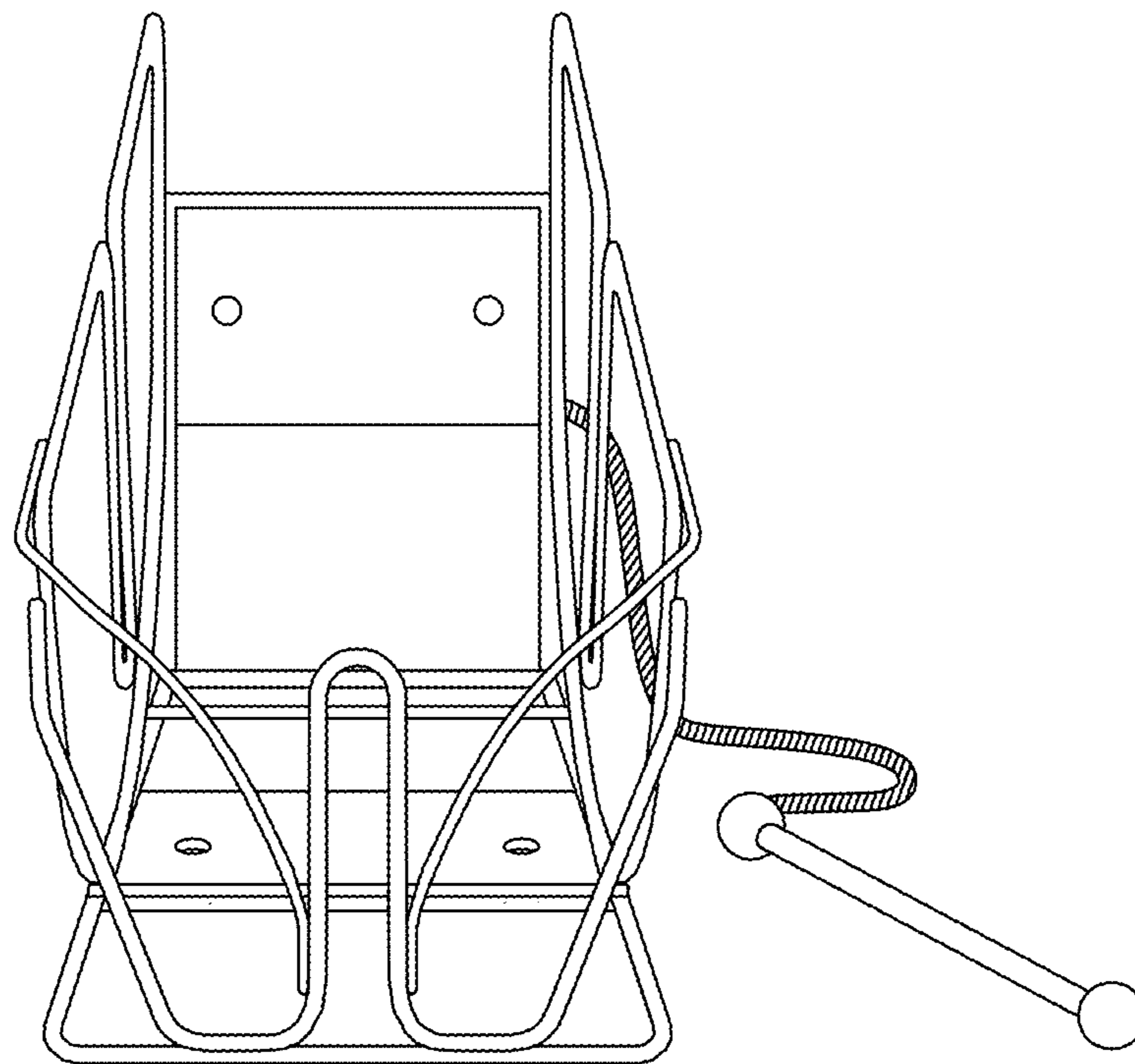


FIG. 3

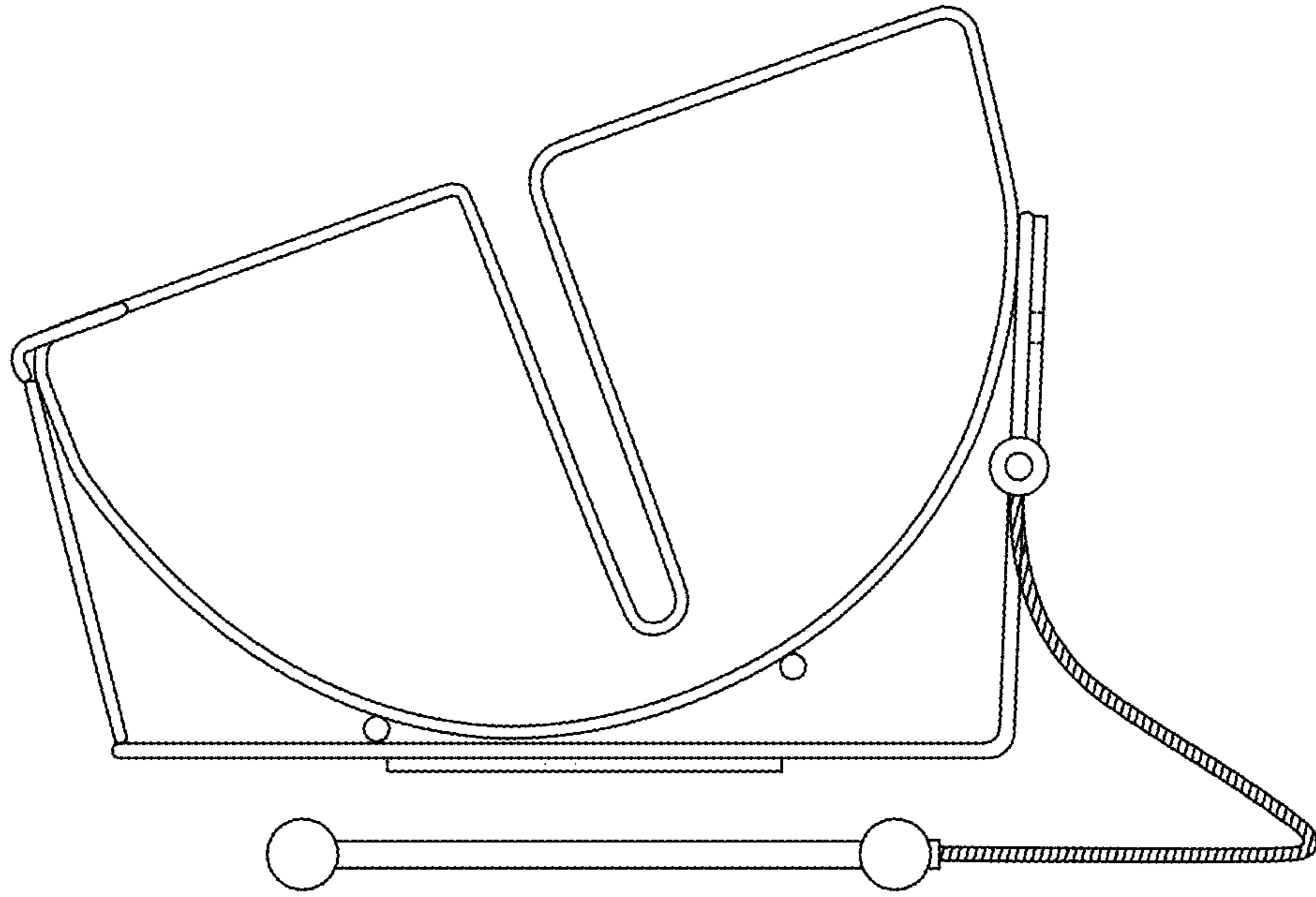


FIG. 4

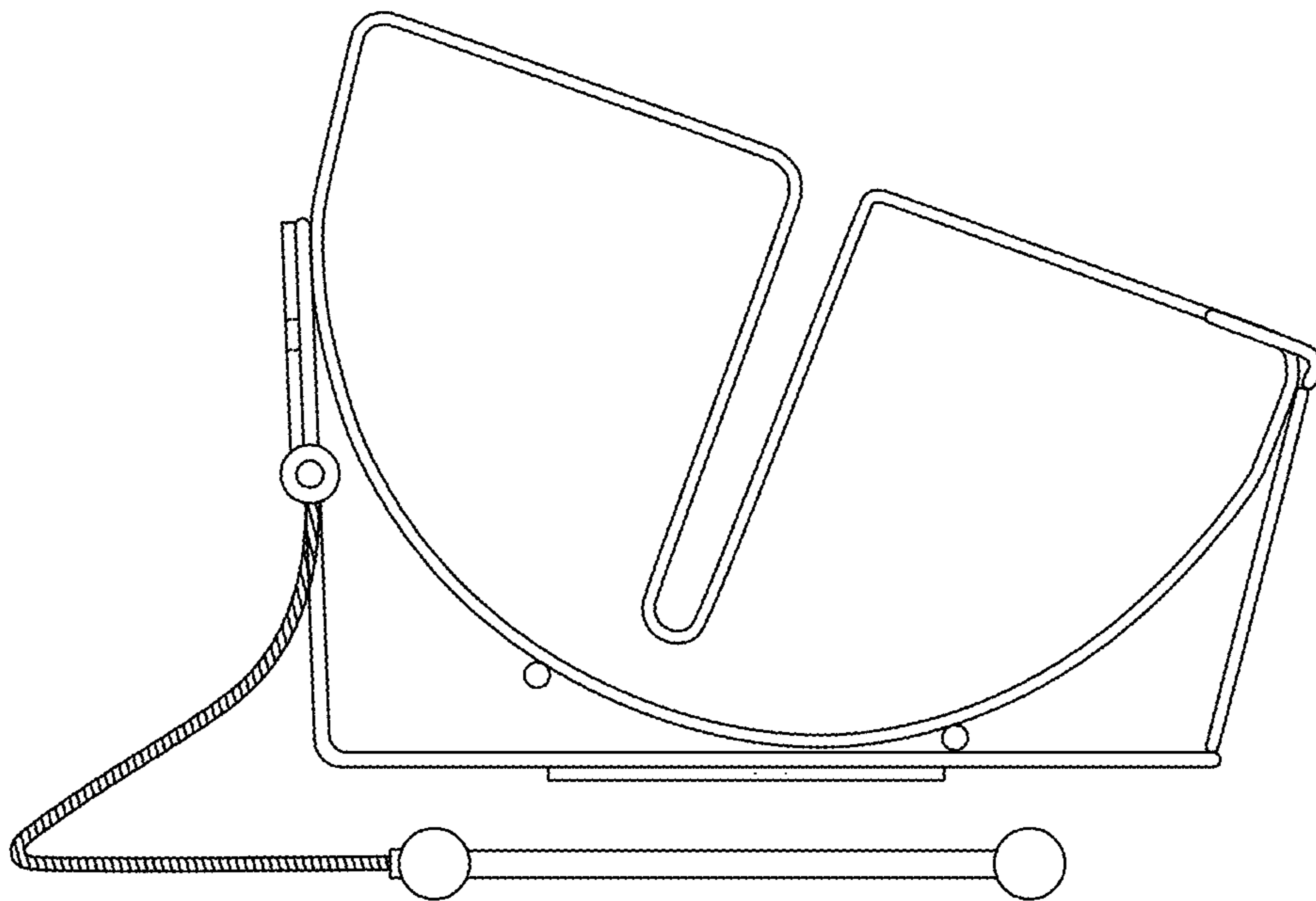


FIG. 5

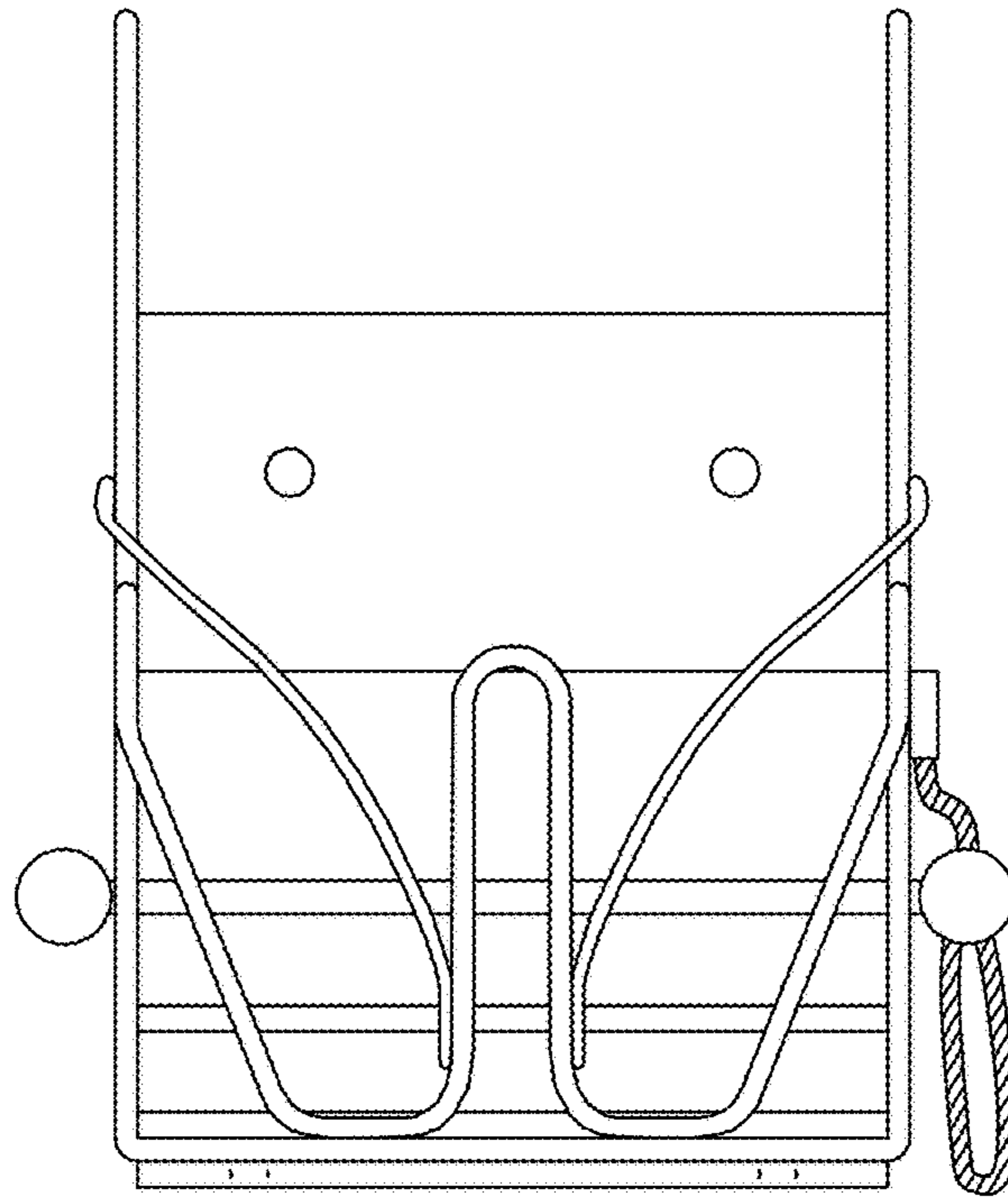


FIG. 6

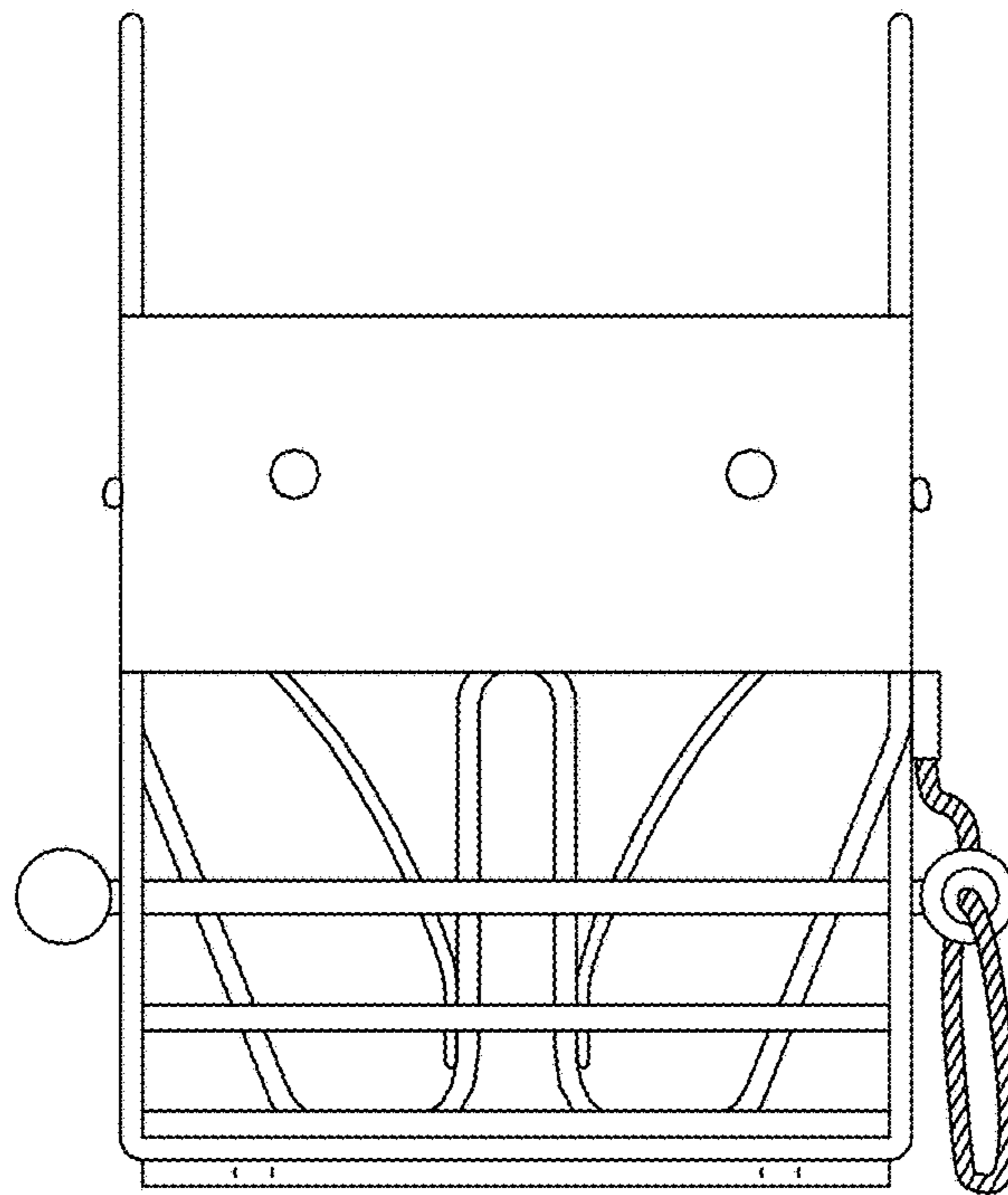


FIG. 7

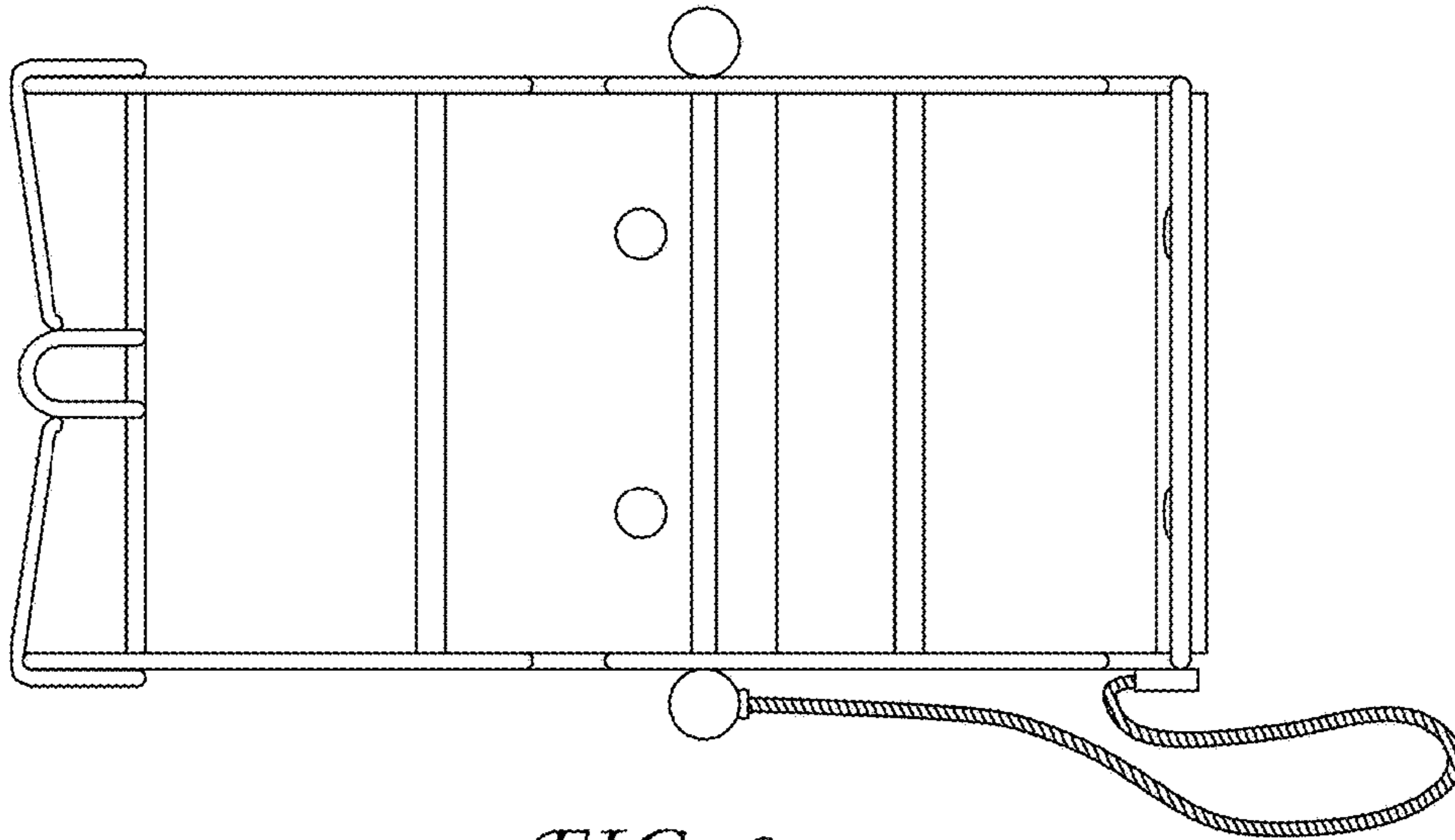


FIG. 8

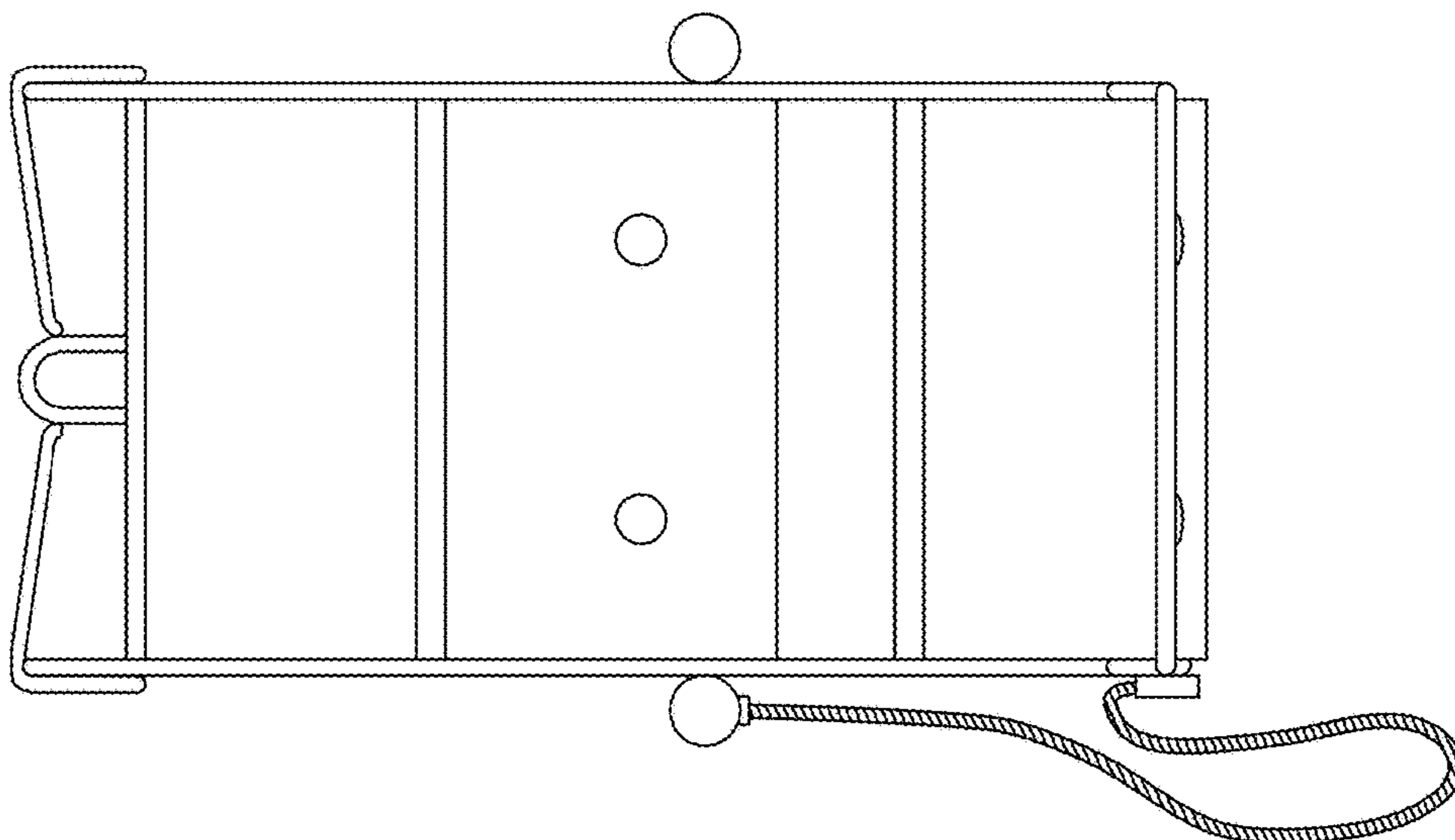


FIG. 9