



US00D820615S

(12) **United States Design Patent** (10) **Patent No.:** **US D820,615 S**  
**Santoro et al.** (45) **Date of Patent:** **\*\* Jun. 19, 2018**

- (54) **DISPENSER ASSEMBLY**
- (71) Applicant: **Vi-Jon, Inc.**, St. Louis, MO (US)
- (72) Inventors: **Donna M. Santoro**, St. Charles, MO (US); **Andy Lee Kirkpatrick**, Green Bay, WI (US); **Kacey James Kreuter**, Green Bay, WI (US)
- (73) Assignee: **Vi-Jon, Inc.**, St. Louis, MO (US)
- (\*\*) Term: **15 Years**
- (21) Appl. No.: **29/592,551**
- (22) Filed: **Jan. 31, 2017**
- (51) **LOC (11) Cl.** ..... **23-02**
- (52) **U.S. Cl.**  
USPC ..... **D6/545**
- (58) **Field of Classification Search**  
USPC ..... D6/542, 543-545; D9/291, 448, 449, D9/682, 688, 690, 694; 222/14, 146.3, 222/173, 181.1, 251, 628  
CPC . B67D 1/001; B67D 1/06; A47K 7/04; A47K 5/12; A47K 5/1204; A47K 5/1205; A47K 5/1207; A47K 5/08; A47K 5/1202; A47K 5/1214; A47K 5/1215; A47K 5/14; A47K 5/16
- See application file for complete search history.

- (56) **References Cited**
- U.S. PATENT DOCUMENTS
- |                  |         |         |       |             |
|------------------|---------|---------|-------|-------------|
| D781,613 S *     | 3/2017  | Santoro | ..... | D6/545      |
| D784,725 S *     | 4/2017  | Santoro | ..... | D6/542      |
| 2017/0020347 A1  | 1/2017  | Santoro |       |             |
| 2017/0347843 A1* | 12/2017 | Santoro | ..... | B05B 15/061 |

OTHER PUBLICATIONS

Design U.S. Appl. No. 29/523,435, filed Apr. 9, 2015, pp. 1-3.

Design U.S. Appl. No. 15/166,714, filed May 27, 2016, pp. 1-25.  
 Design U.S. Appl. No. 29/566,204, filed May 27, 2016, pp. 1-2.  
 Design U.S. Appl. No. 29/575,334, filed Aug. 24, 2016, pp. 1-3.  
 U.S. Appl. No. 15/253,022, filed Aug. 31, 2016, pp. 1-38.

\* cited by examiner

*Primary Examiner* — Wan Laymon  
*Assistant Examiner* — Mark Booker

(74) *Attorney, Agent, or Firm* — Armstrong Teasdale LLP

(57) **CLAIM**

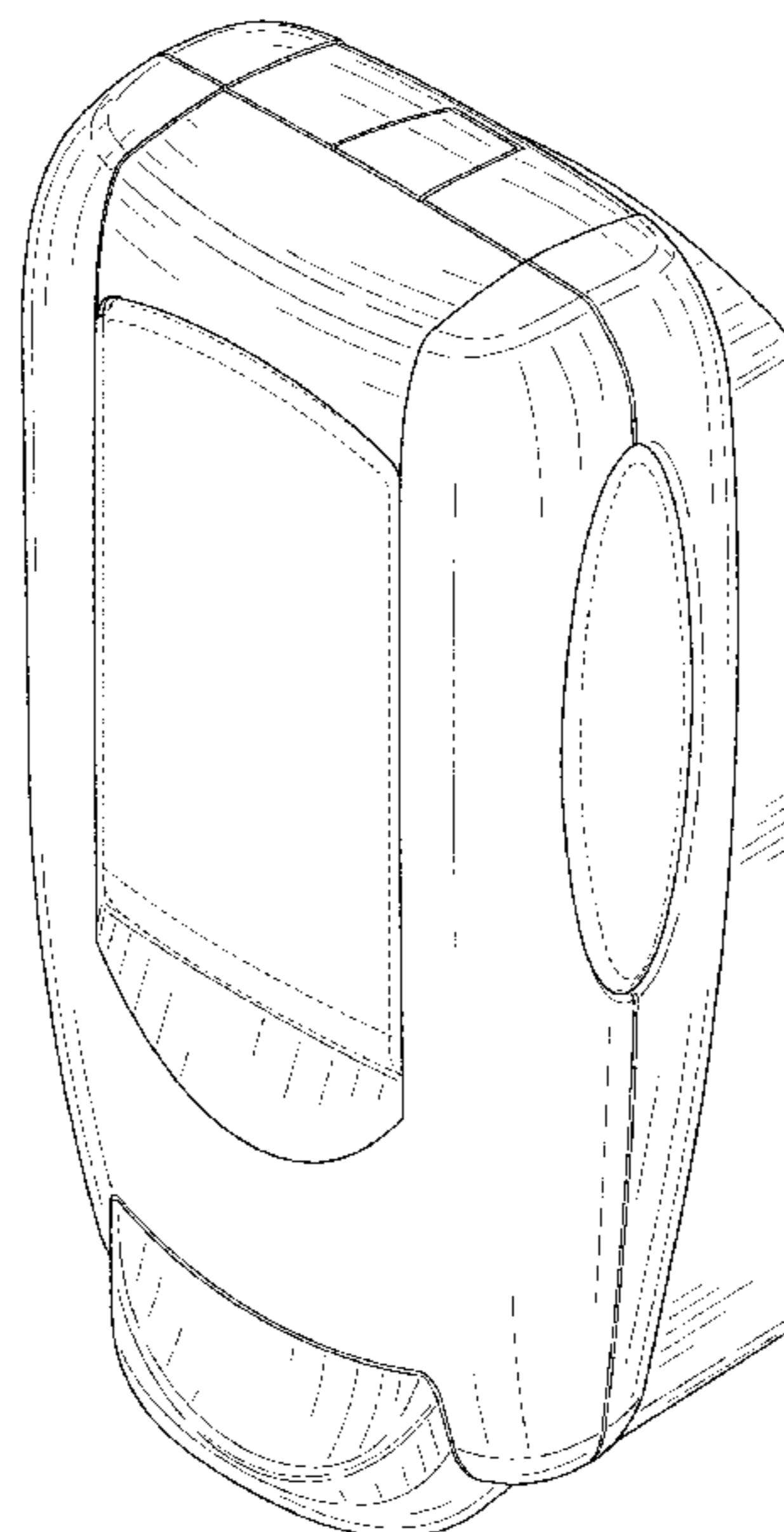
We claim the ornamental design for a dispenser assembly, as shown and described.

**DESCRIPTION**

FIG. 1 is a front perspective view of a dispenser assembly showing our new design;  
 FIG. 2 is a front view of the dispenser assembly design shown in FIG. 1;  
 FIG. 3 is a rear view of the dispenser assembly design shown in FIG. 1;  
 FIG. 4 is a right view of the dispenser assembly design shown in FIG. 1;  
 FIG. 5 is a left view of the dispenser assembly design shown in FIG. 1;  
 FIG. 6 is a top view of the dispenser assembly design shown in FIG. 1;  
 FIG. 7 is a bottom view of the dispenser assembly design shown in FIG. 1;  
 FIG. 8 is a rear perspective view of the dispenser assembly design shown in FIG. 1; and,  
 FIG. 9 is a bottom perspective view of the dispenser assembly design shown in FIG. 1.

Features disclaimed with broken lines in the Figures indicate structure which forms no part of the claimed design.

**1 Claim, 8 Drawing Sheets**



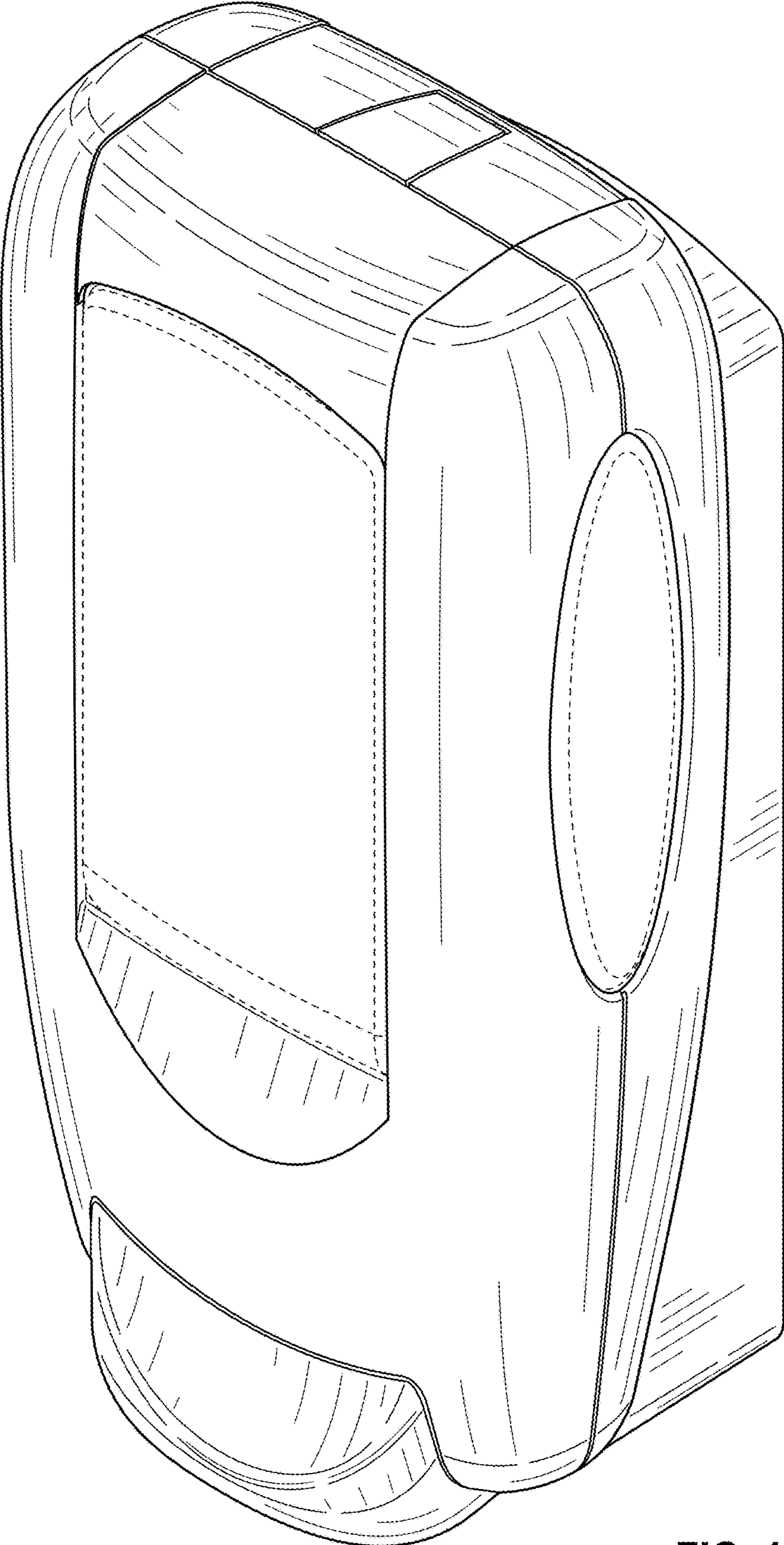


FIG. 1

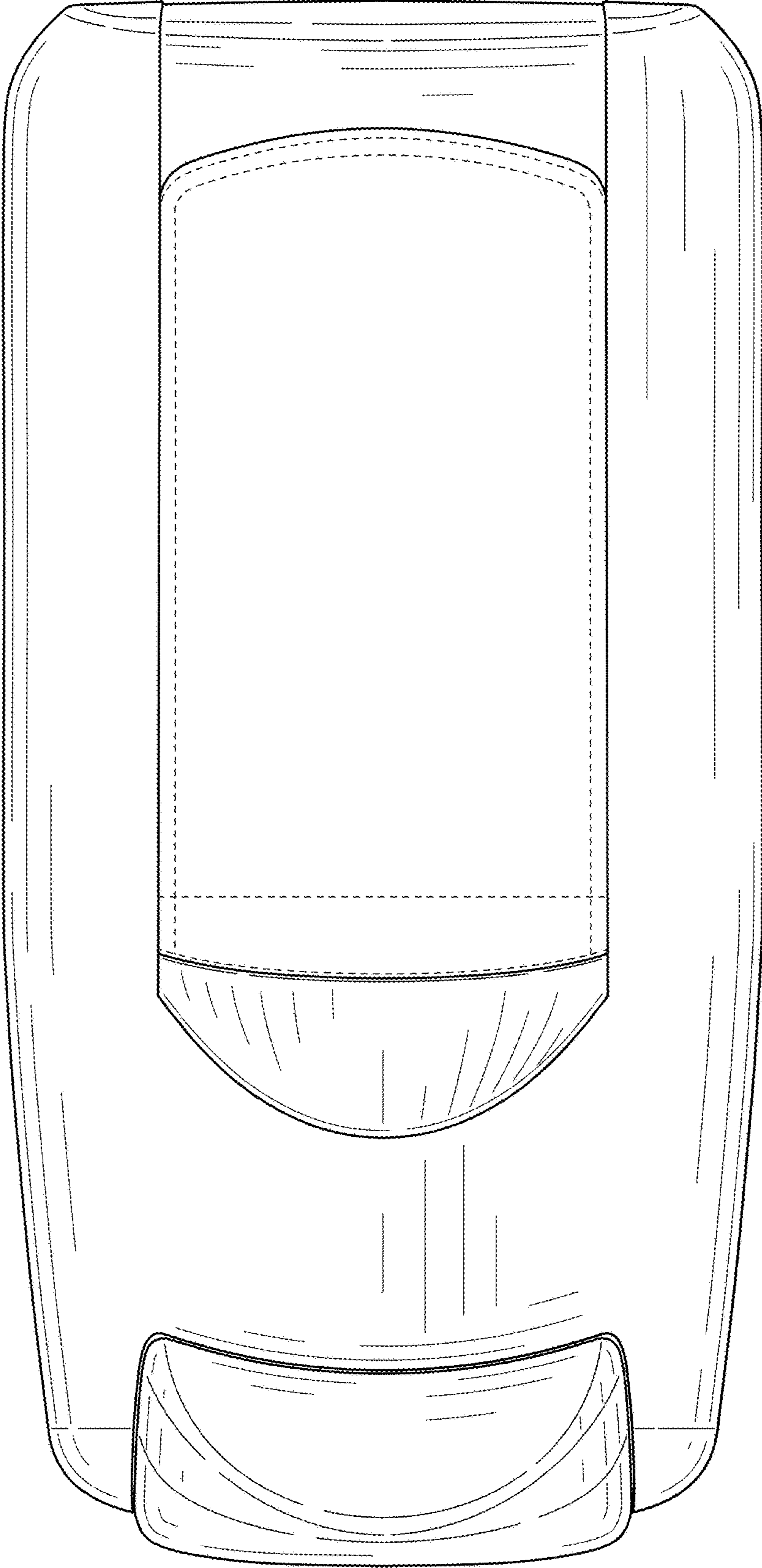


FIG. 2

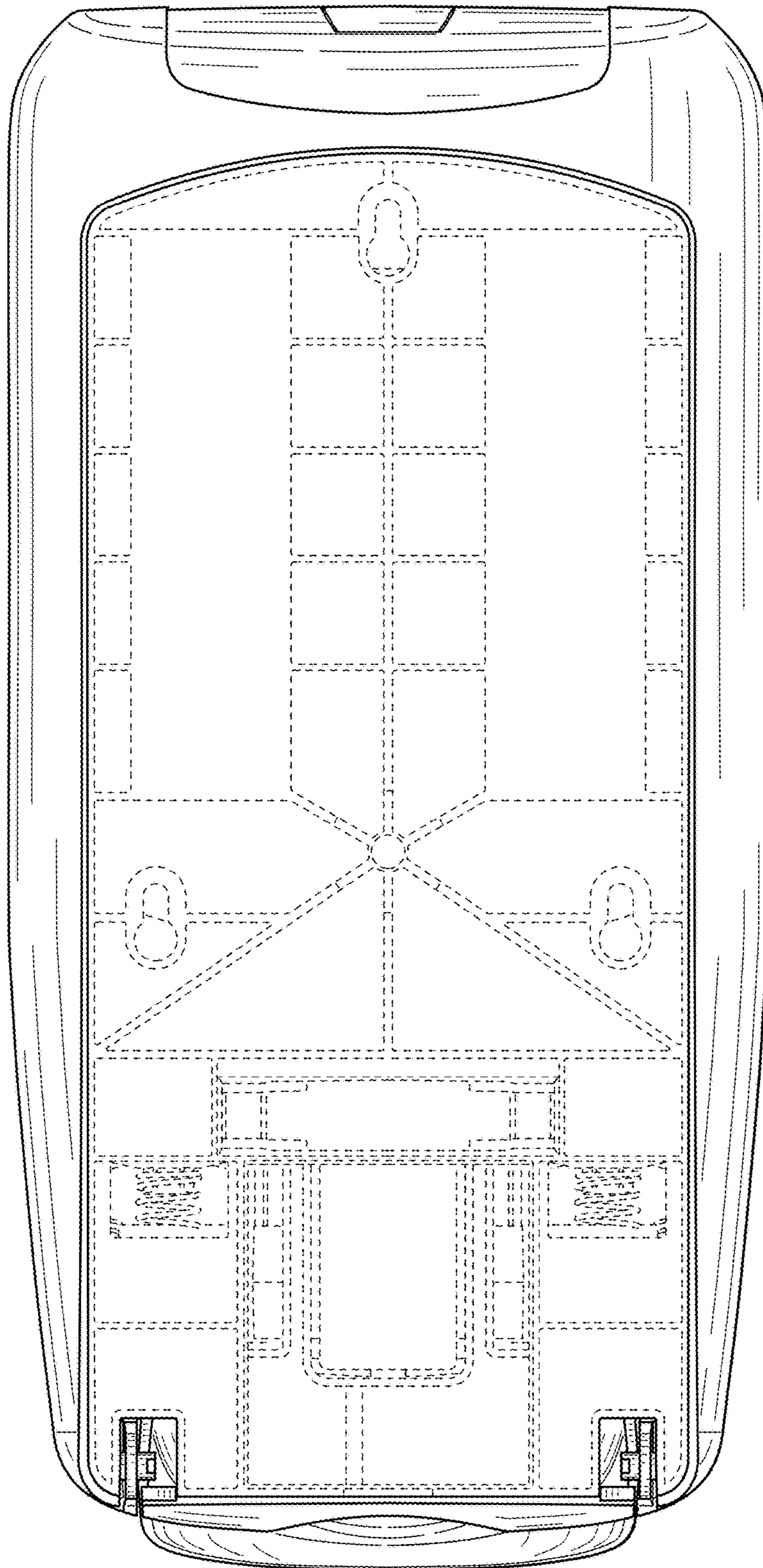


FIG. 3

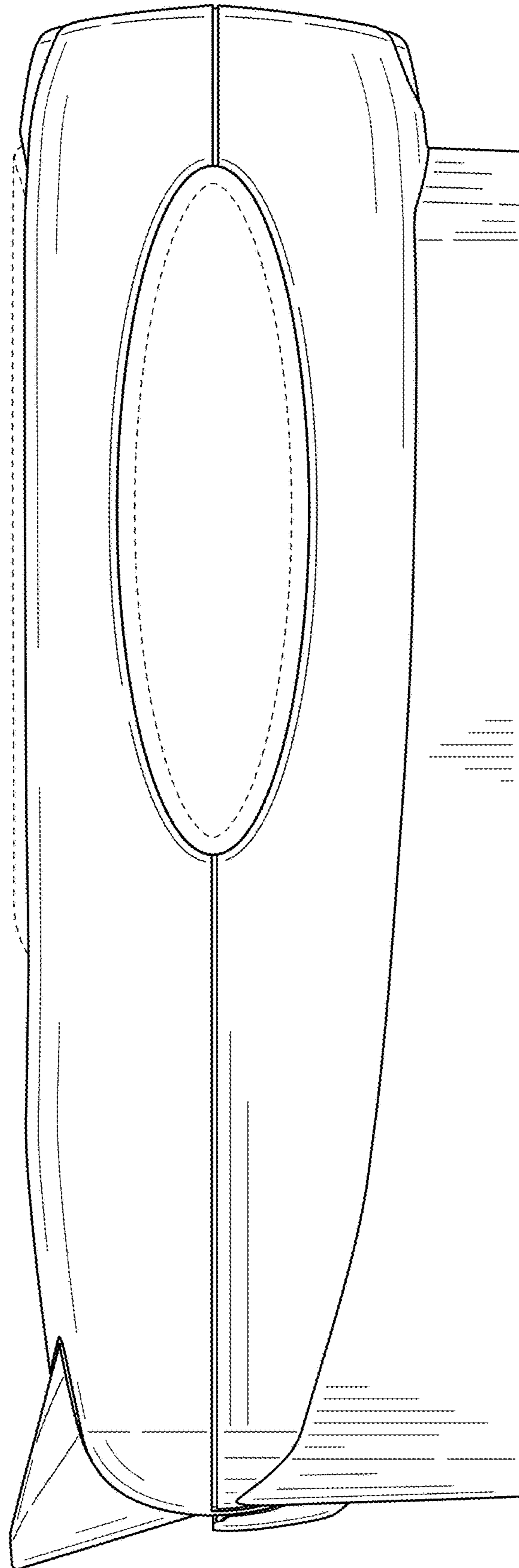


FIG. 4

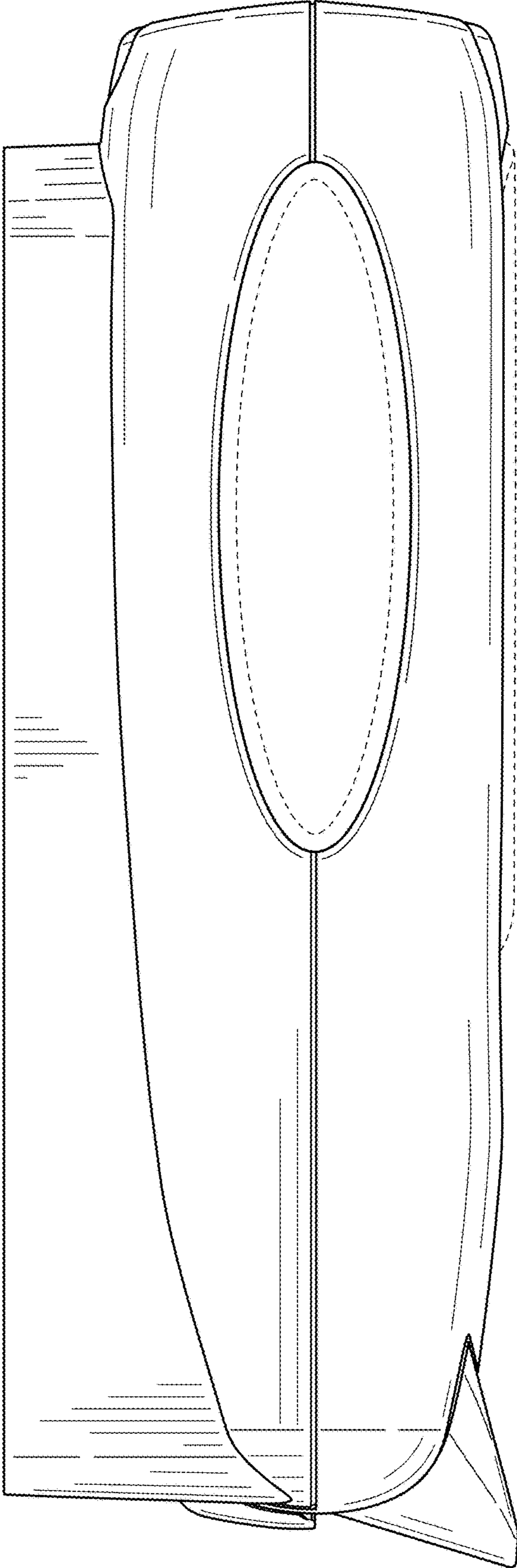


FIG. 5

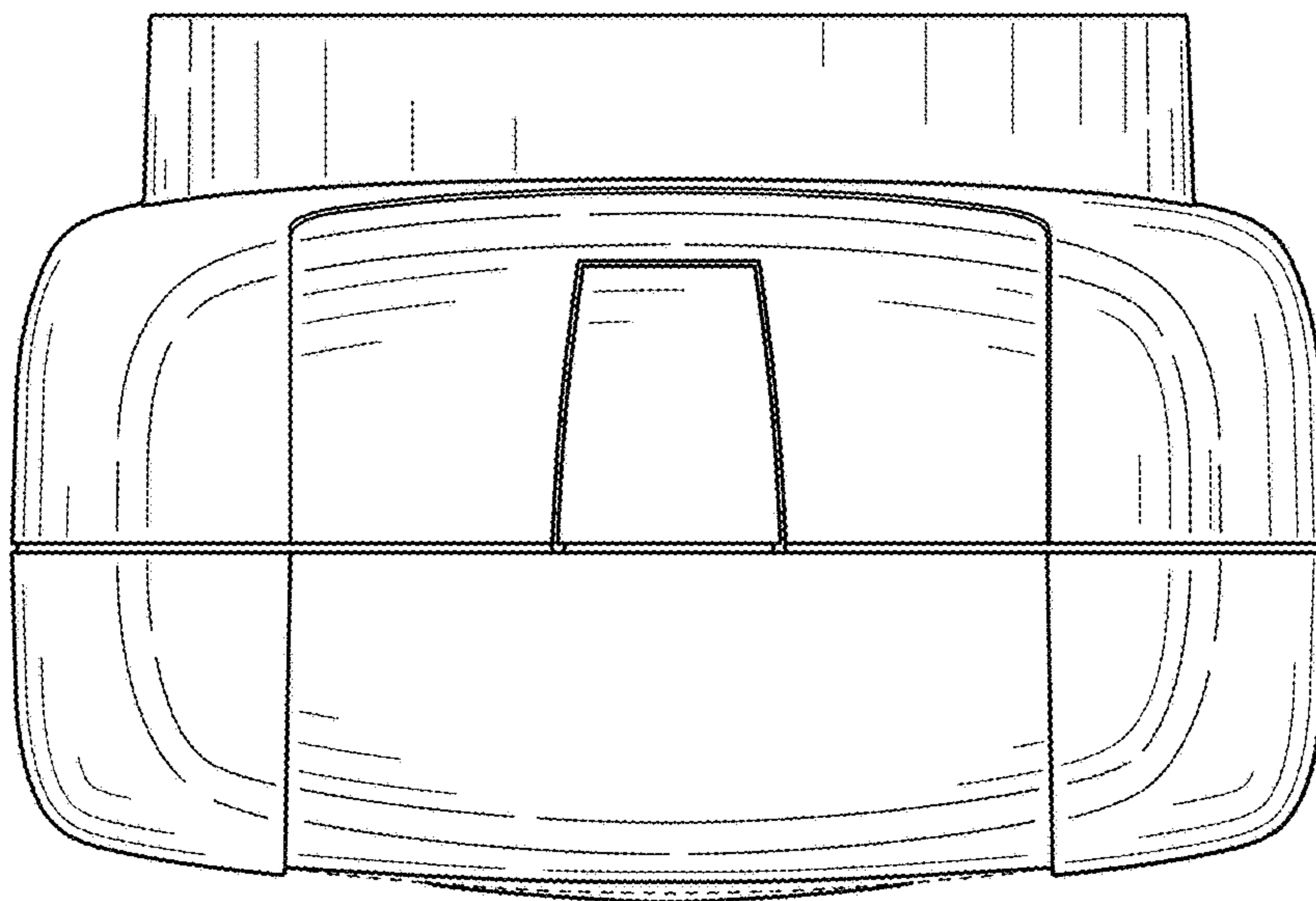


FIG. 6

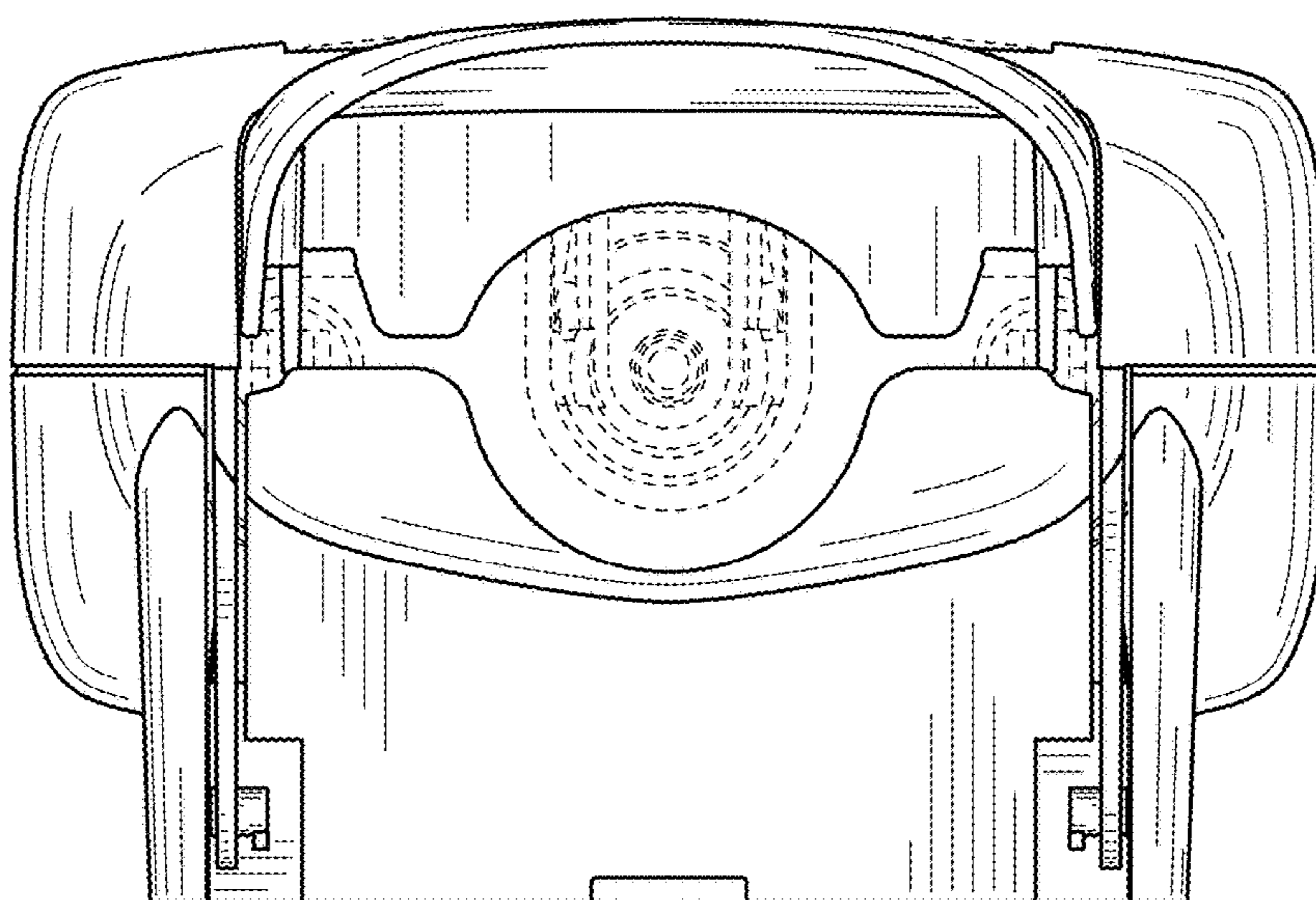


FIG. 7

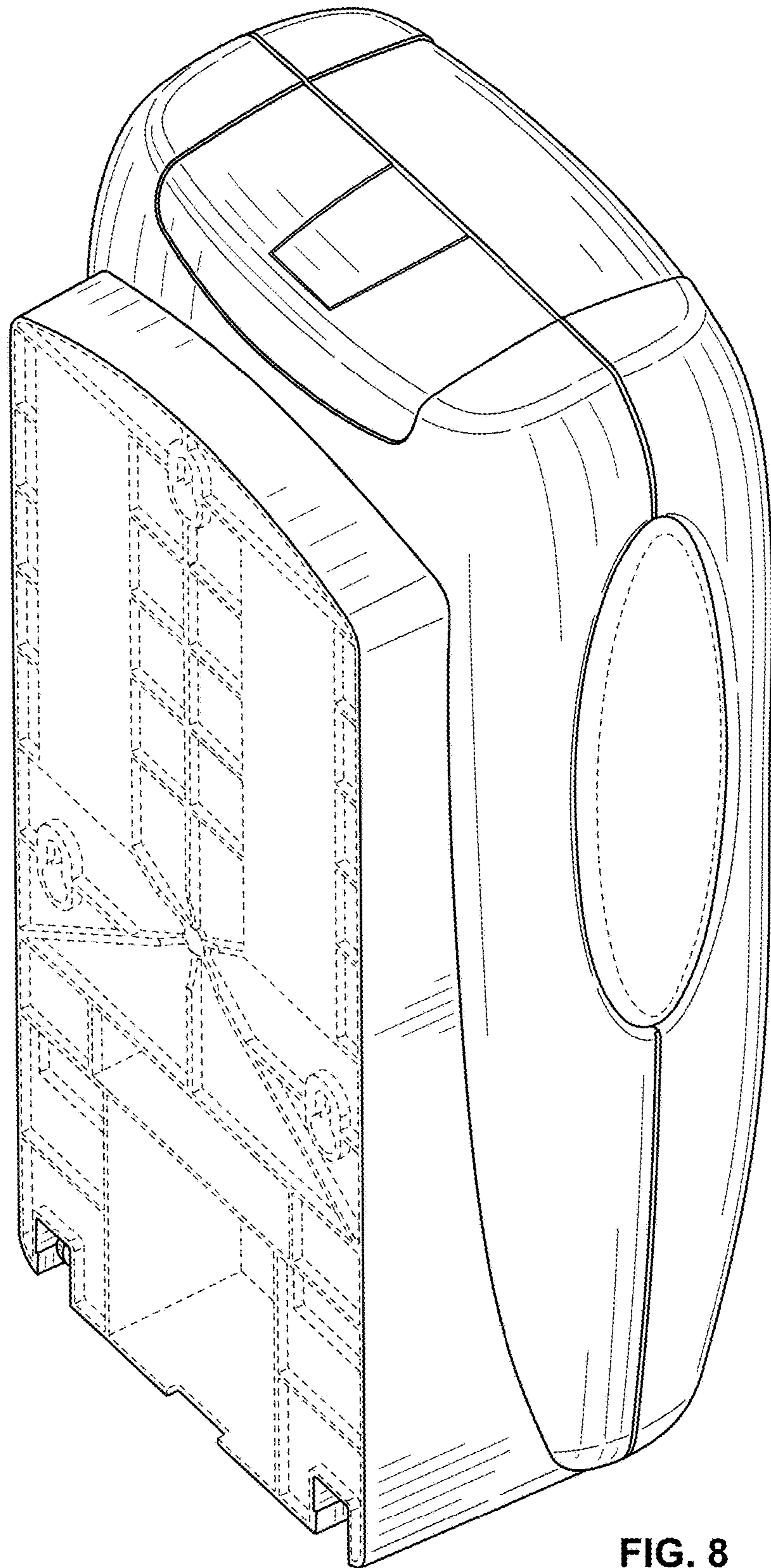


FIG. 8



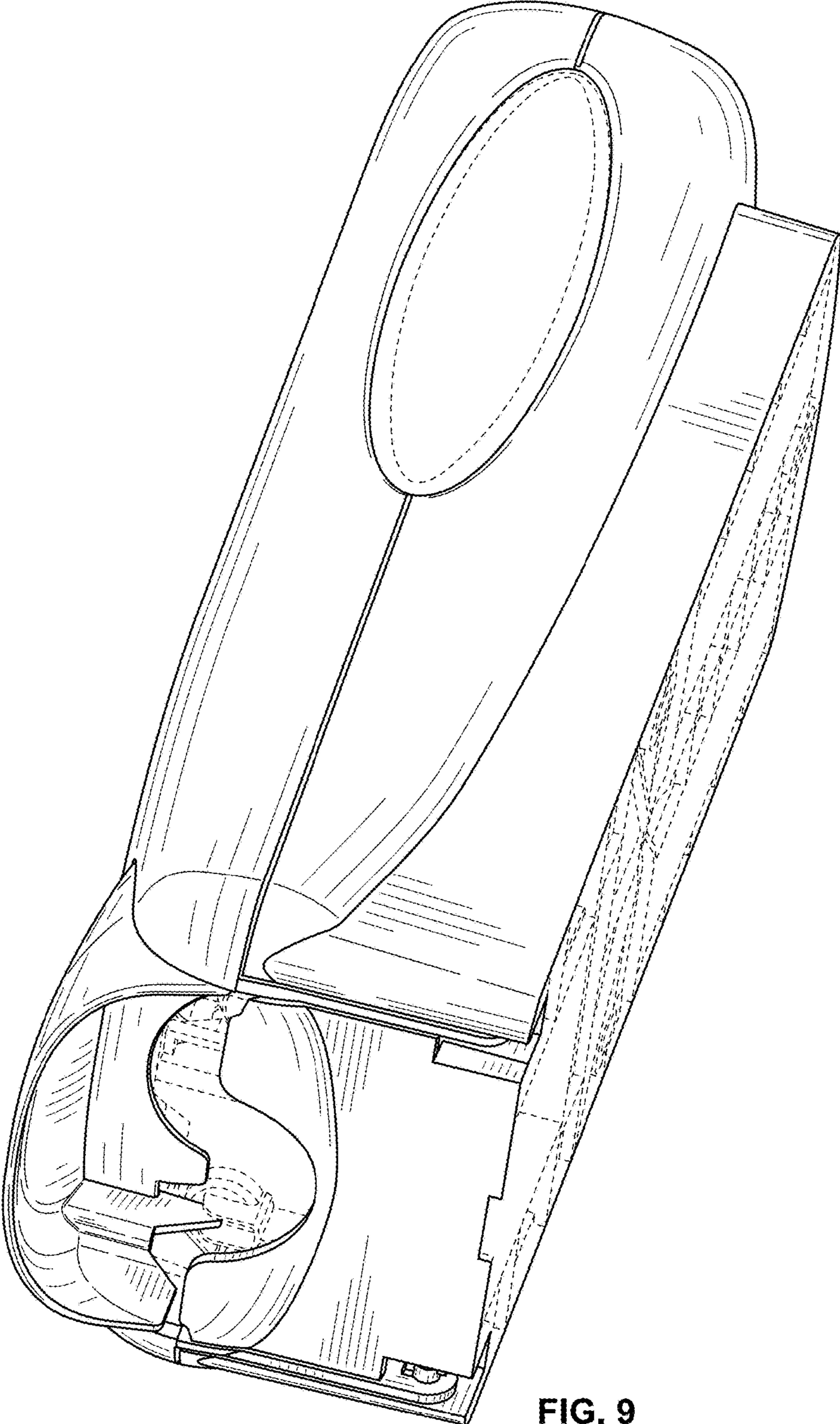


FIG. 9