



US00D820613S

(12) **United States Design Patent**  
**Wu**

(10) **Patent No.:** **US D820,613 S**  
(45) **Date of Patent:** **\*\* Jun. 19, 2018**

(54) **CHAIR**

(71) Applicant: **Foshan Youside Office Furniture Co., Ltd**, Foshan, Guangdong (CN)

(72) Inventor: **Chong Wu**, Guangdong (CN)

(73) Assignee: **FOSHAN YOURSEAT OFFICE FURNITURE CO., LTD.** (CN)

(\*\*) Term: **15 Years**

(21) Appl. No.: **29/606,640**

(22) Filed: **Jun. 6, 2017**

(51) **LOC (11) Cl.** ..... **06-01**

(52) **U.S. Cl.**  
USPC ..... **D6/373**

(58) **Field of Classification Search**  
USPC ..... D6/334-336, 371, 373, 374, 376, 379,  
D6/380, 716, 716.1, 716.2, 716.4  
CPC .... A47C 3/04; A47C 4/02; A47C 4/03; A47C  
4/027; A47C 4/028; A47C 3/12; A47C  
5/04; A47C 5/12

See application file for complete search history.

(56) **References Cited**

**U.S. PATENT DOCUMENTS**

D609,487 S \* 2/2010 Kumazawa ..... D6/373  
D655,933 S \* 3/2012 Kumazawa ..... D6/373

D656,333 S \* 3/2012 Kumazawa ..... D6/373  
D656,334 S \* 3/2012 Kumazawa ..... D6/373  
D656,335 S \* 3/2012 Kumazawa ..... D6/373  
D669,278 S \* 10/2012 Kumazawa ..... D6/373  
D694,034 S \* 11/2013 Tanaka ..... D6/373  
D725,397 S \* 3/2015 Pan ..... D6/373  
9,161,629 B2 \* 10/2015 Huang ..... A47C 3/04  
D778,631 S \* 2/2017 Tanaka ..... D6/373  
D792,141 S \* 7/2017 Su ..... D6/373

\* cited by examiner

*Primary Examiner* — Mimoso De

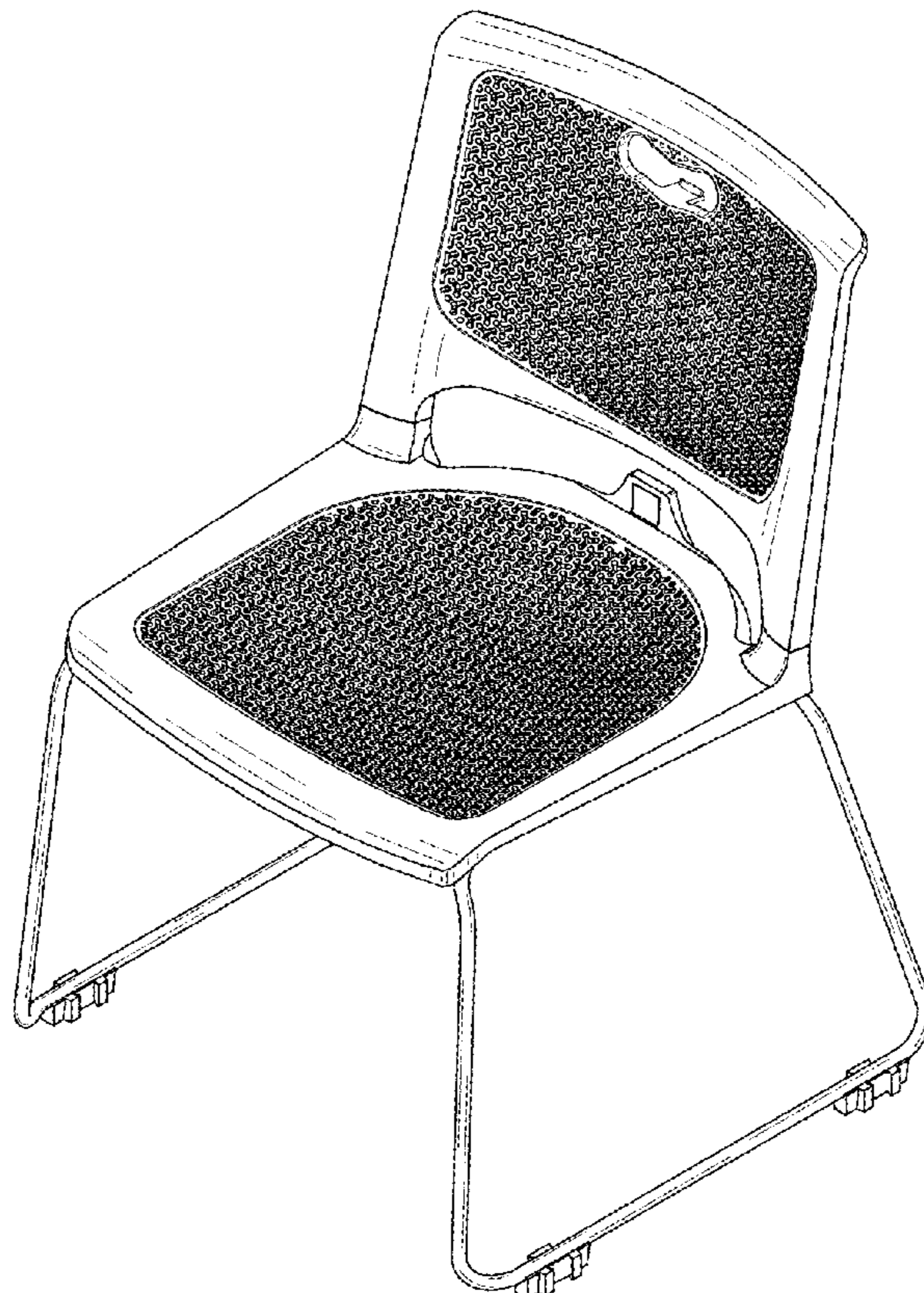
(57) **CLAIM**

The ornamental design for a chair, as shown and described.

**DESCRIPTION**

FIG. 1 is a front view of the chair showing our new design;  
FIG. 2 is a back view thereof;  
FIG. 3 is a left side view thereof;  
FIG. 4 is a right side view thereof;  
FIG. 5 is a top view thereof;  
FIG. 6 is a bottom view thereof; and,  
FIG. 7 is a top perspective view thereof.

**1 Claim, 6 Drawing Sheets**



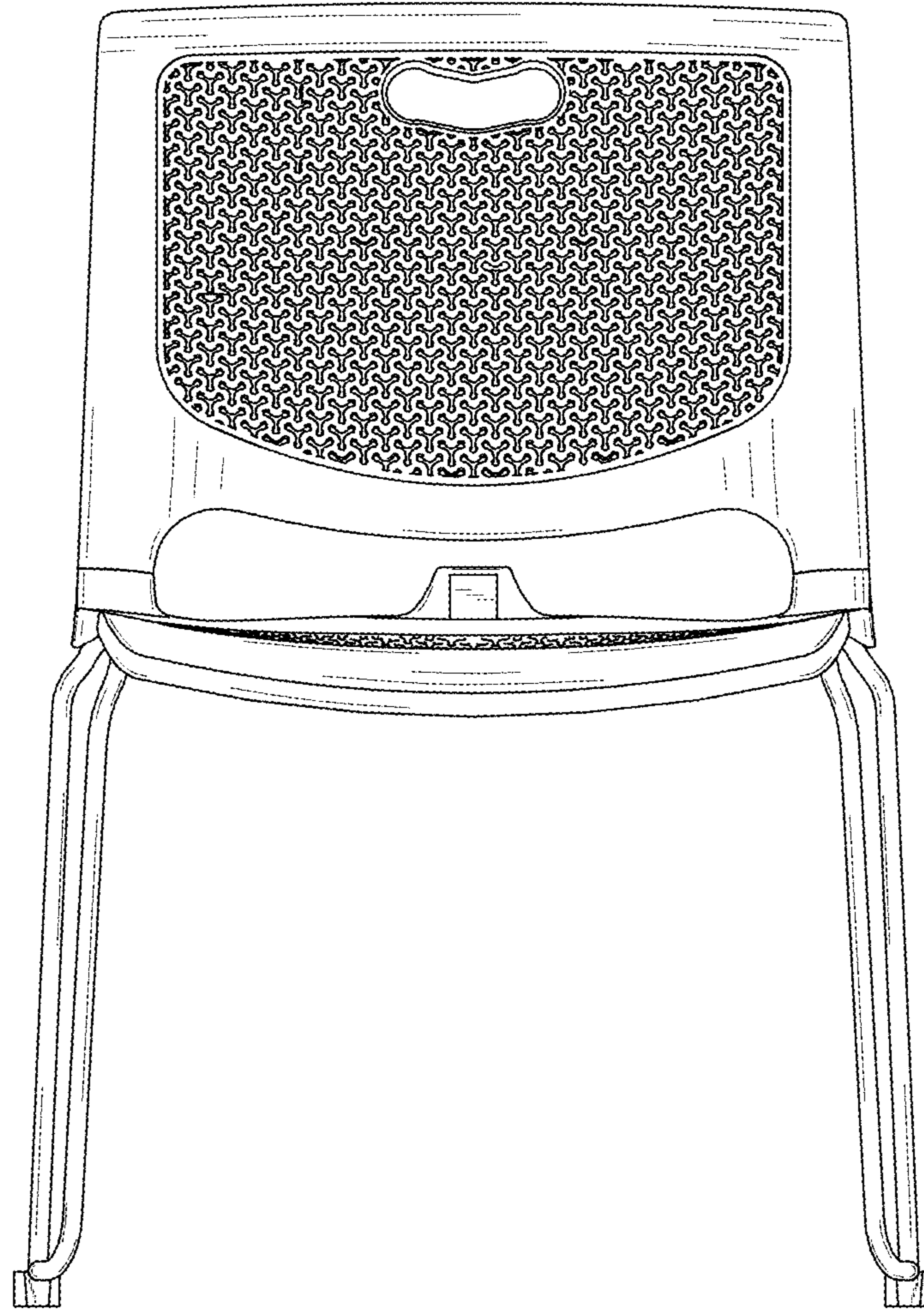


FIG. 1

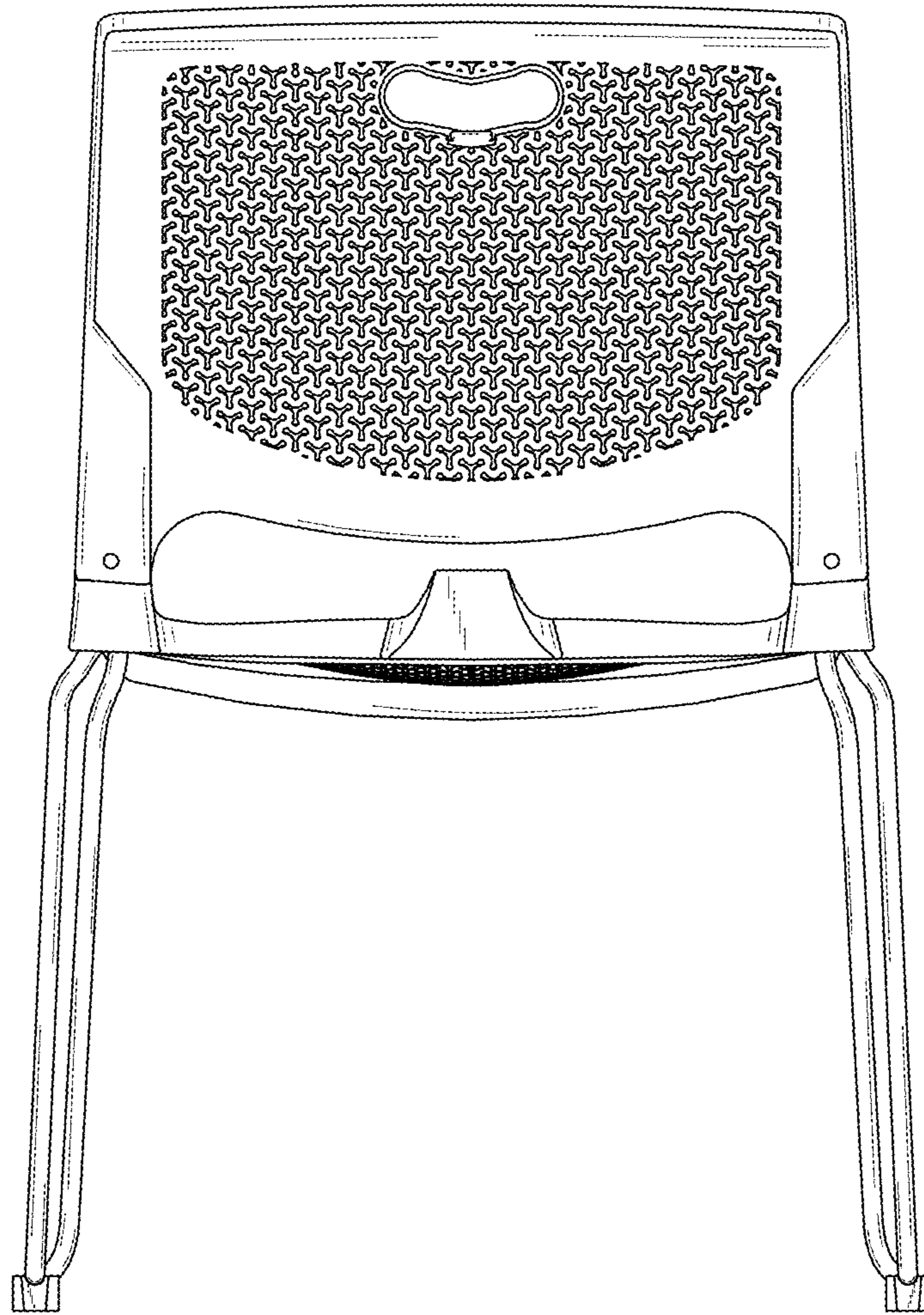


FIG.2

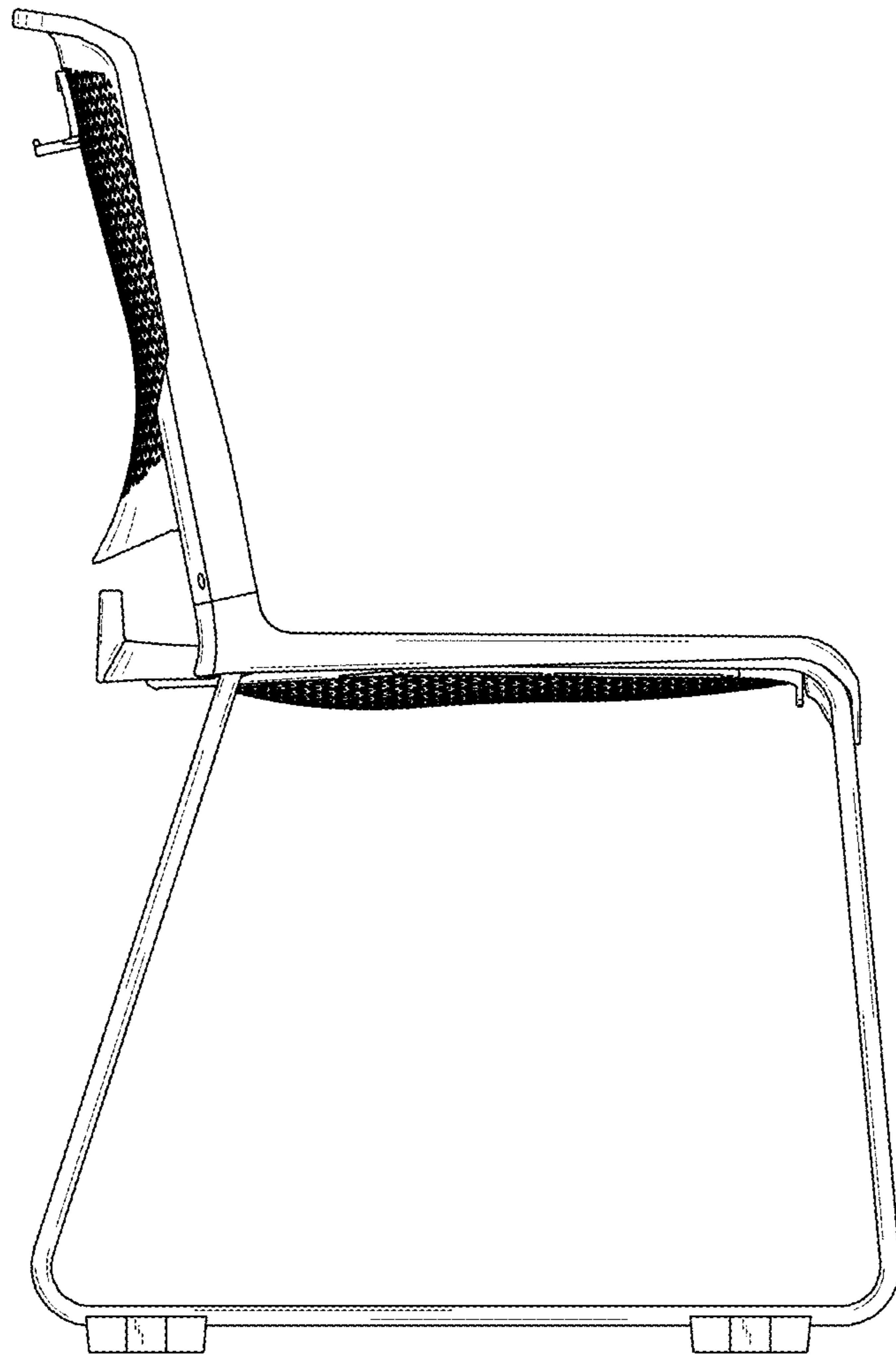


FIG.3

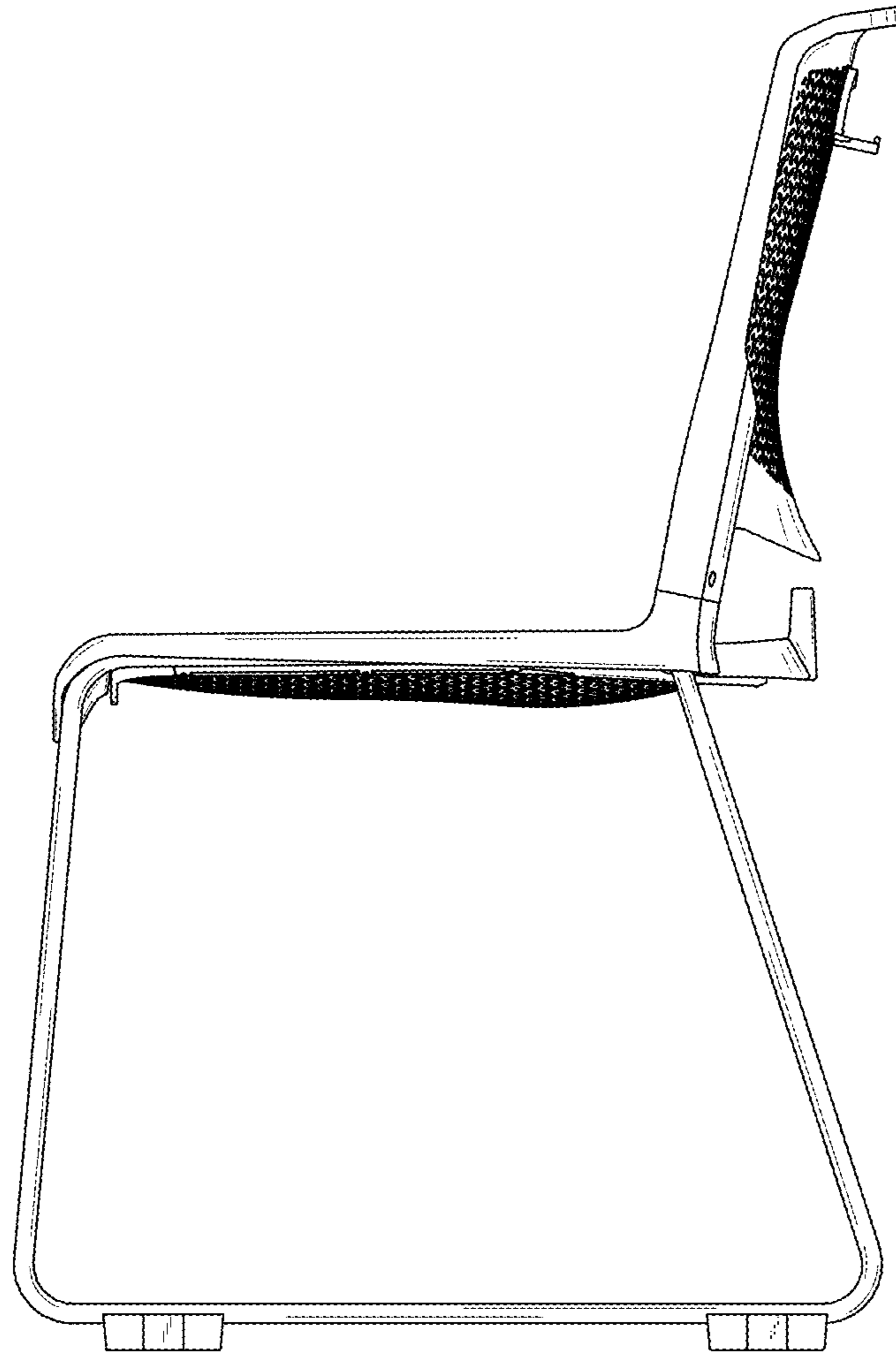


FIG.4

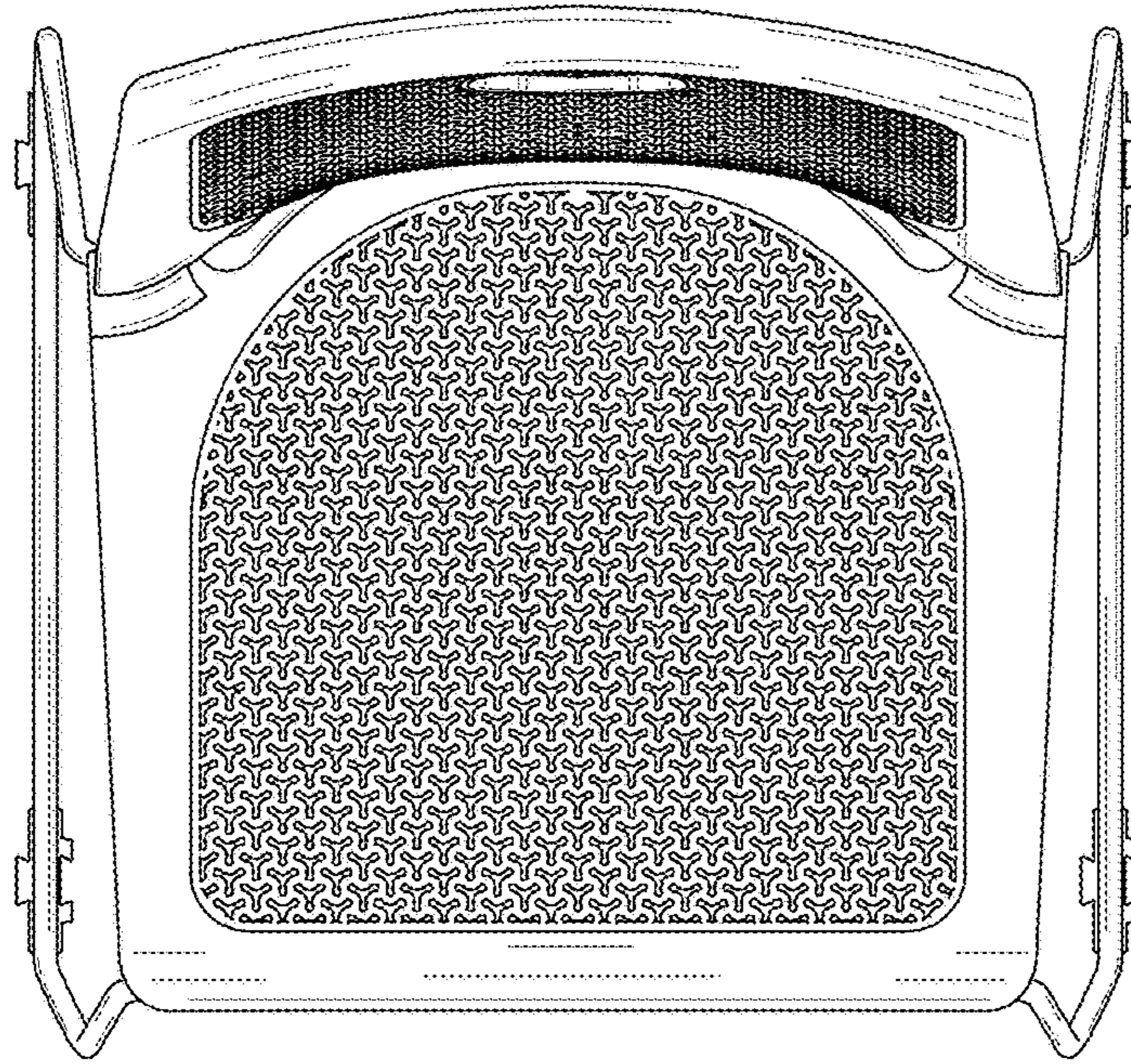


FIG. 5

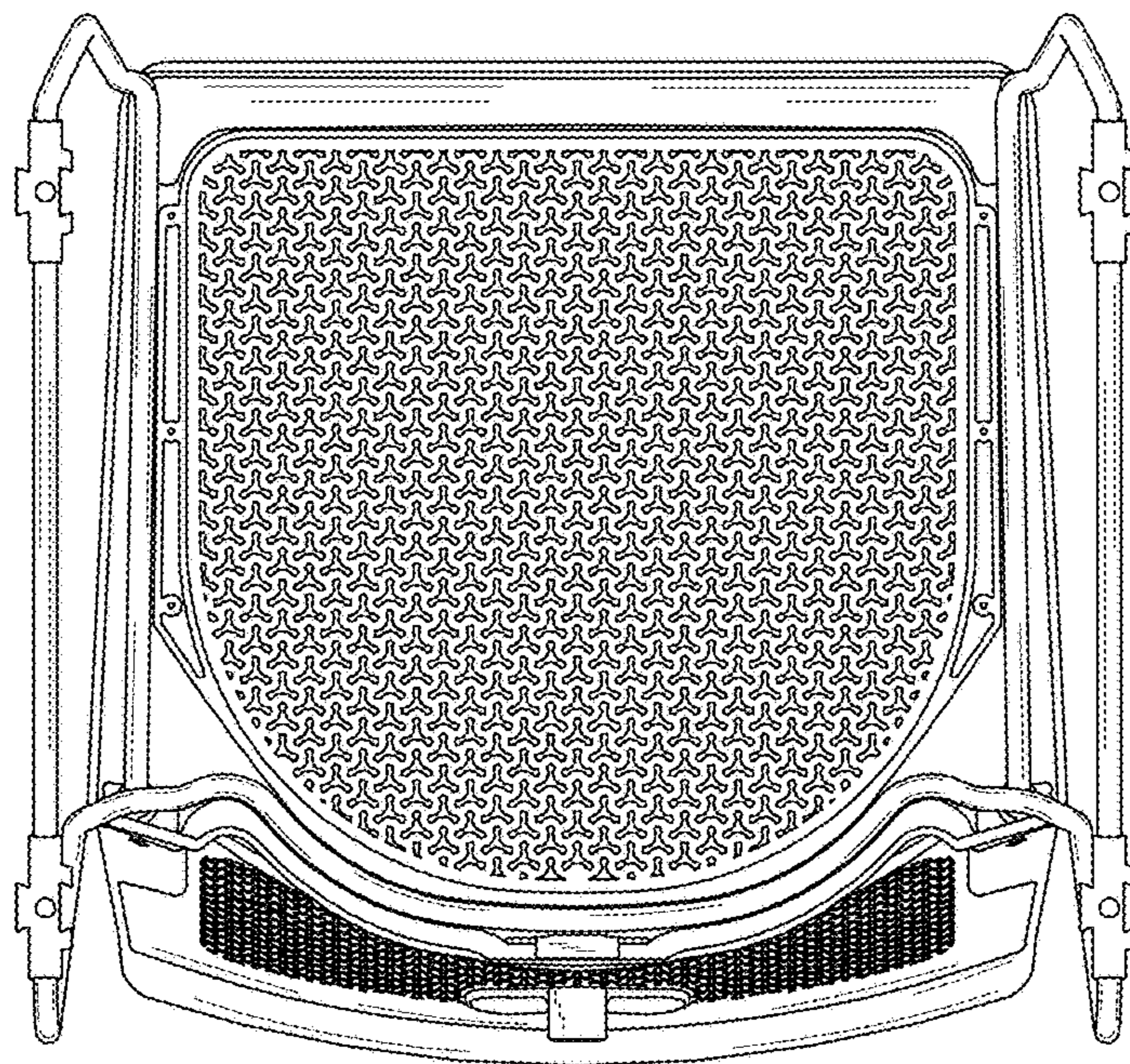


FIG. 6

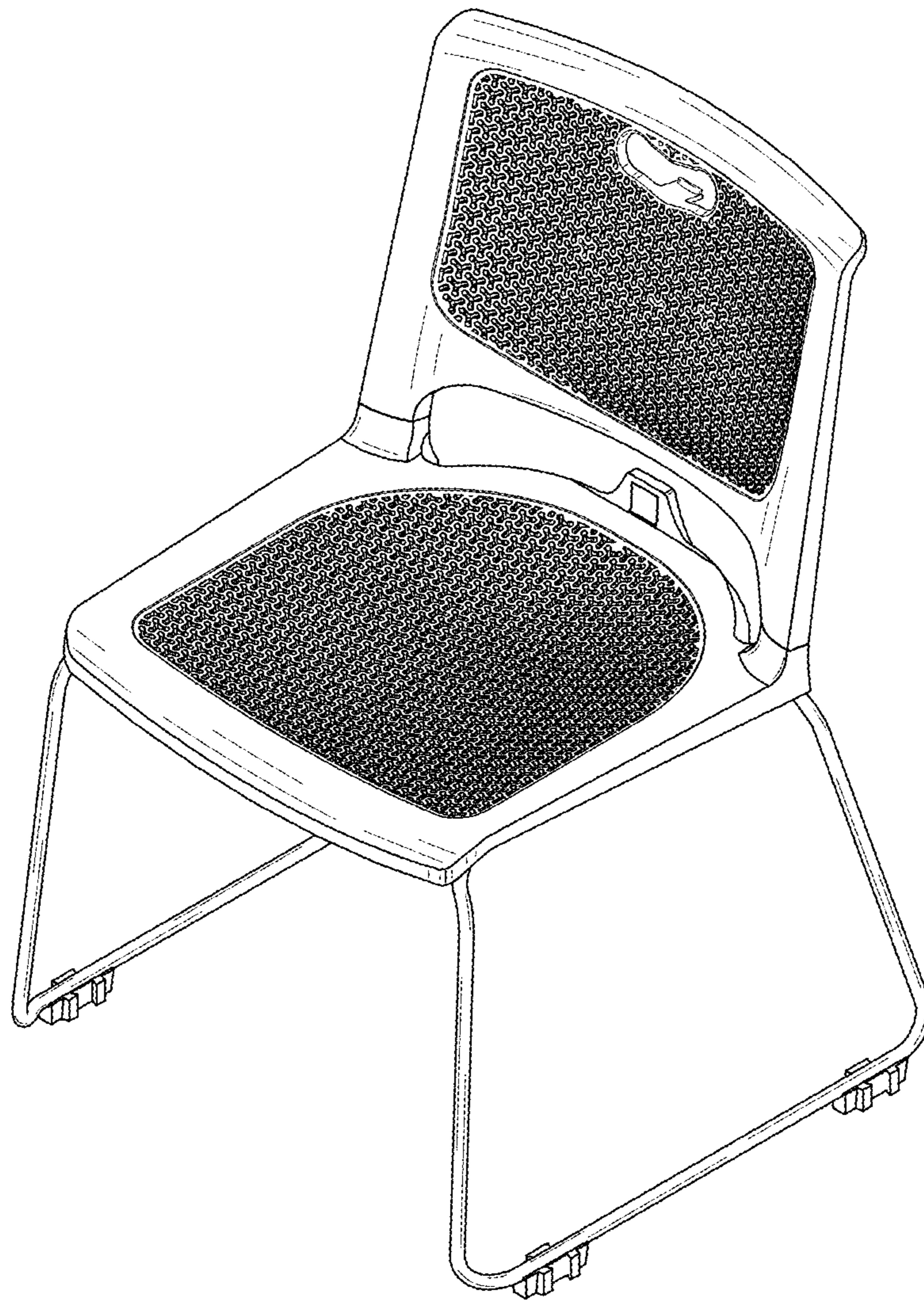


FIG.7