



US00D820611S

(12) **United States Design Patent** (10) **Patent No.:** **US D820,611 S**
Ono (45) **Date of Patent:** **** Jun. 19, 2018**

(54) **CHAIR**
(71) Applicant: **OKAMURA CORPORATION**,
Yokohama-shi, Kanagawa (JP)
(72) Inventor: **Naho Ono**, Yokohama-shi (JP)
(73) Assignee: **Okamura Corporation**, Yokohama-shi,
Kanagawa (JP)
(**) Term: **15 Years**
(21) Appl. No.: **29/598,521**
(22) Filed: **Mar. 27, 2017**

D588,392 S * 3/2009 Yang D6/601
D660,028 S * 5/2012 Rode D6/360
D725,942 S * 4/2015 Rieber A47C 16/02
D6/601
D793,754 S * 8/2017 Ono D6/334
D795,621 S * 8/2017 Ono D6/360
D798,624 S * 10/2017 Ono D6/366
D799,846 S * 10/2017 Ono D6/375
D800,465 S * 10/2017 Ono D6/360
D800,466 S * 10/2017 Ono D6/360
D801,738 S * 11/2017 AlMaghlouth D6/692
2008/0001462 A1* 1/2008 Holland A47B 13/023
297/440.1
2016/0088944 A1* 3/2016 Walser A47C 3/02
297/313

(30) **Foreign Application Priority Data**

Sep. 30, 2016 (JP) 2016-021168

(51) **LOC (11) Cl.** **06-01**

(52) **U.S. Cl.**
USPC **D6/352; D6/360**

(58) **Field of Classification Search**
USPC D6/334, 336, 349-353, 360, 364-367,
D6/371-373, 374, 403-405, 601,
D6/691-691.9, 692-692.6, 716-716.3
CPC A47B 7/00; A47B 7/02; A47B 9/00; A47B
13/02; A47B 23/00; A47B 39/00; A47C
3/18; A47C 3/20; A47C 7/002; A47C
7/18; A47C 9/002; A47C 9/007; A47C
9/02; A47C 9/025; A47C 9/08; A47C
11/00; A47C 12/00; A47C 13/00; A47C
16/02; A47C 16/04

See application file for complete search history.

(56) **References Cited**

U.S. PATENT DOCUMENTS

4,998,774 A * 3/1991 Huff A47C 9/007
297/452.41
D541,086 S * 4/2007 McNamee D6/716
D579,676 S * 11/2008 Rheault D6/349

OTHER PUBLICATIONS

Repiroue iF World Design Guide. [online] Published on Oct. 7, 2016. Retrieved Feb. 15, 2018 from URL: <https://ifworld-designguide.com/entry/205669-repiroue>.*

Partridge Bar Stool Timber Counter Stool DesignByThem. [online] Retrieved Feb. 14, 2018 from URL: <https://www.designbythem.com/products/partridge-bar-stool-4-legs>.*

* cited by examiner

Primary Examiner — Vy N Koenig

(74) *Attorney, Agent, or Firm* — Sughrue Mion, PLLC

(57) **CLAIM**

The ornamental design for a chair, as shown and described.

DESCRIPTION

FIG. 1 is a perspective view of a chair.
FIG. 2 is a front elevation view thereof. A rear elevation view is identical to the front elevation view.
FIG. 3 is a right side elevation view thereof. A left side elevation view is identical to the right side elevation view.
FIG. 4 is a top plan view thereof; and,
FIG. 5 is a bottom plan view thereof.

1 Claim, 5 Drawing Sheets

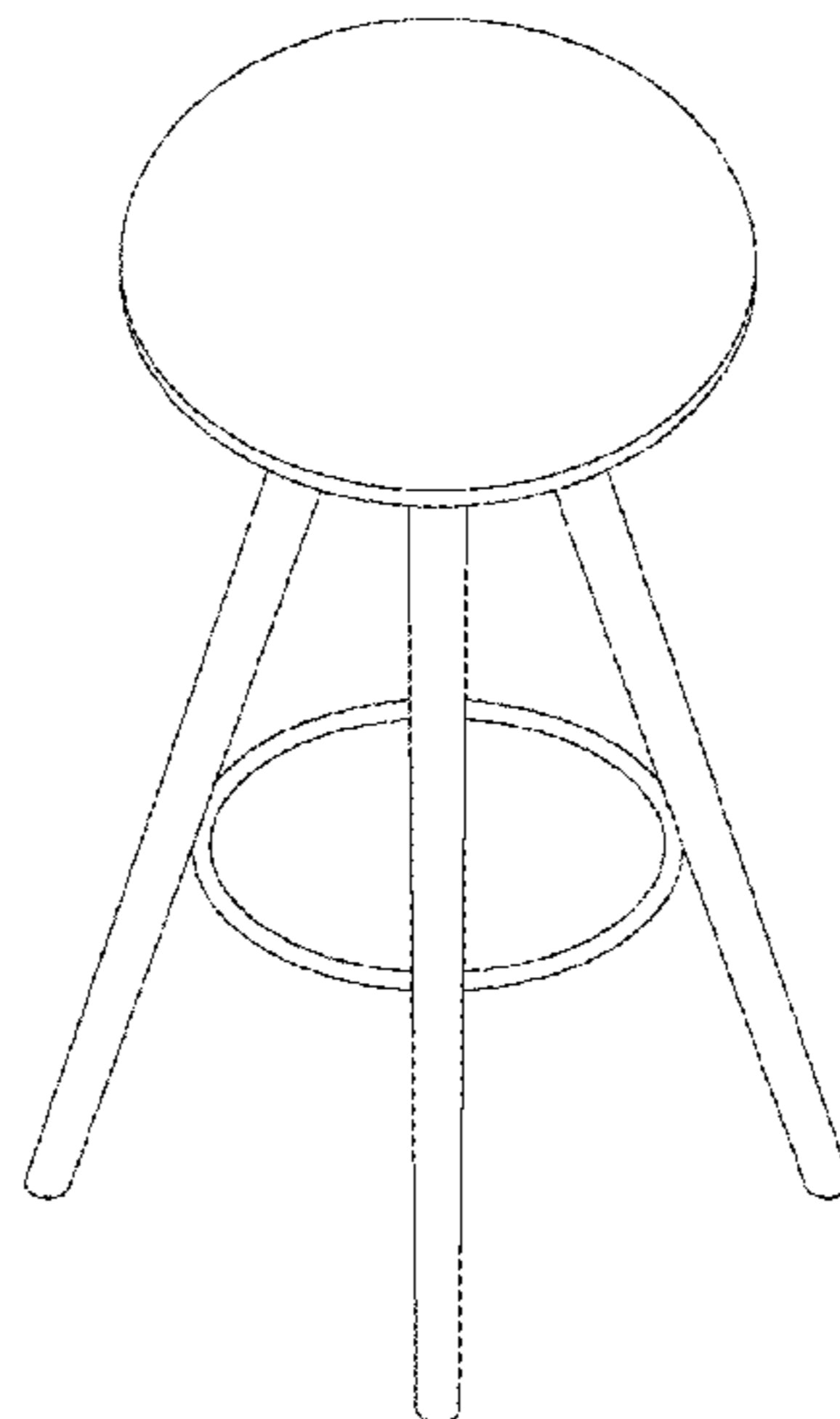


FIG. 1

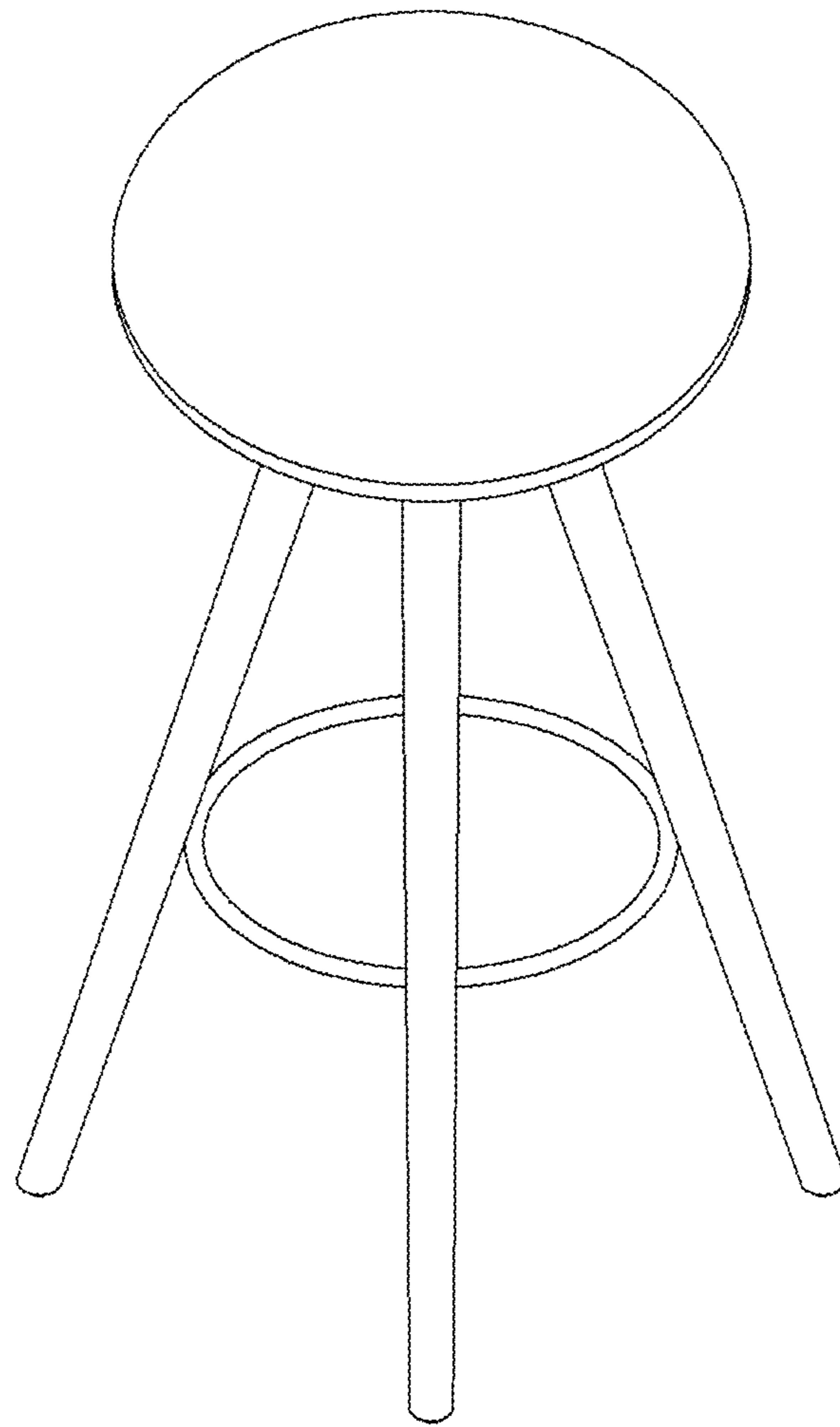


FIG. 2

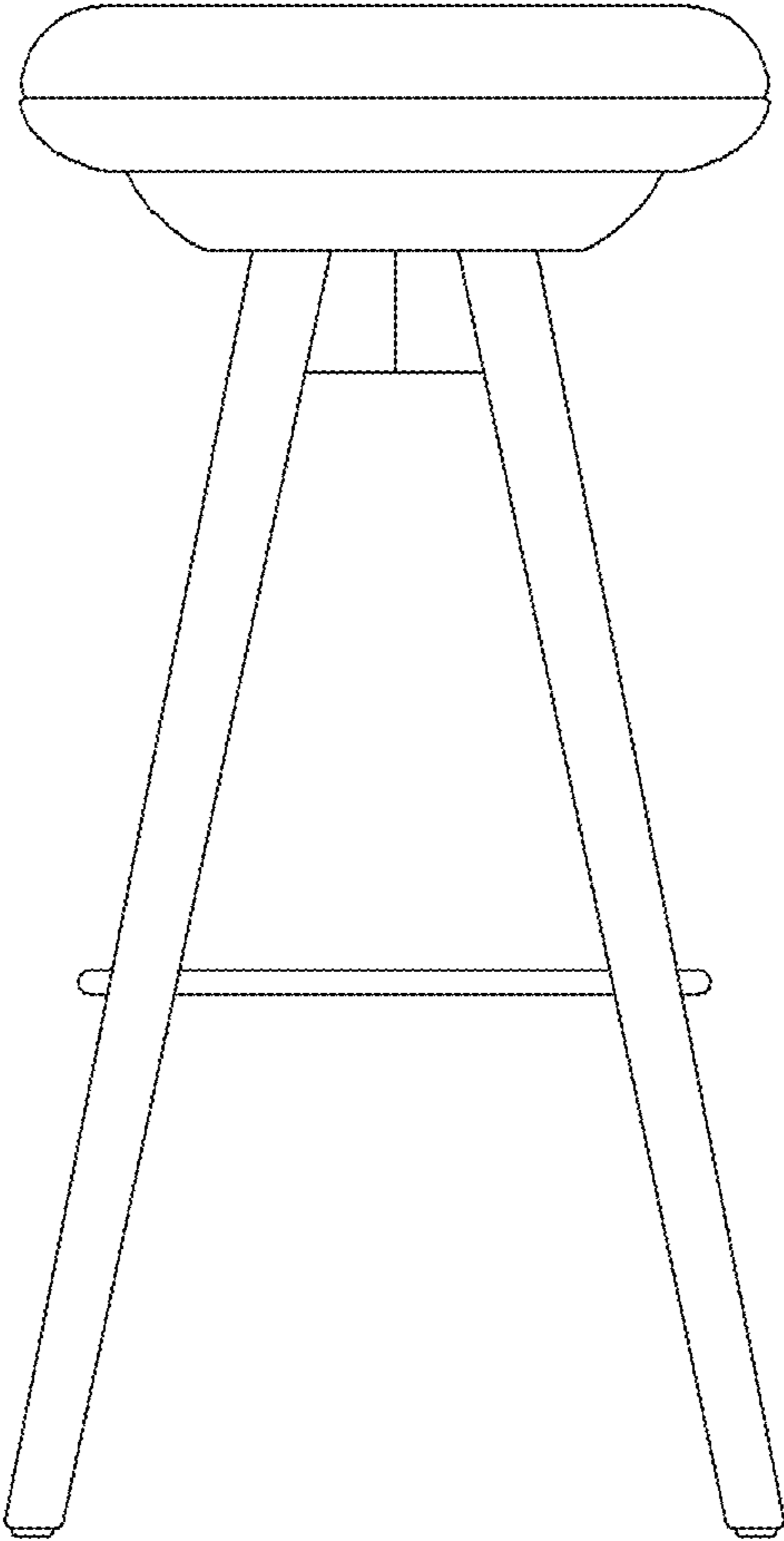


FIG. 3

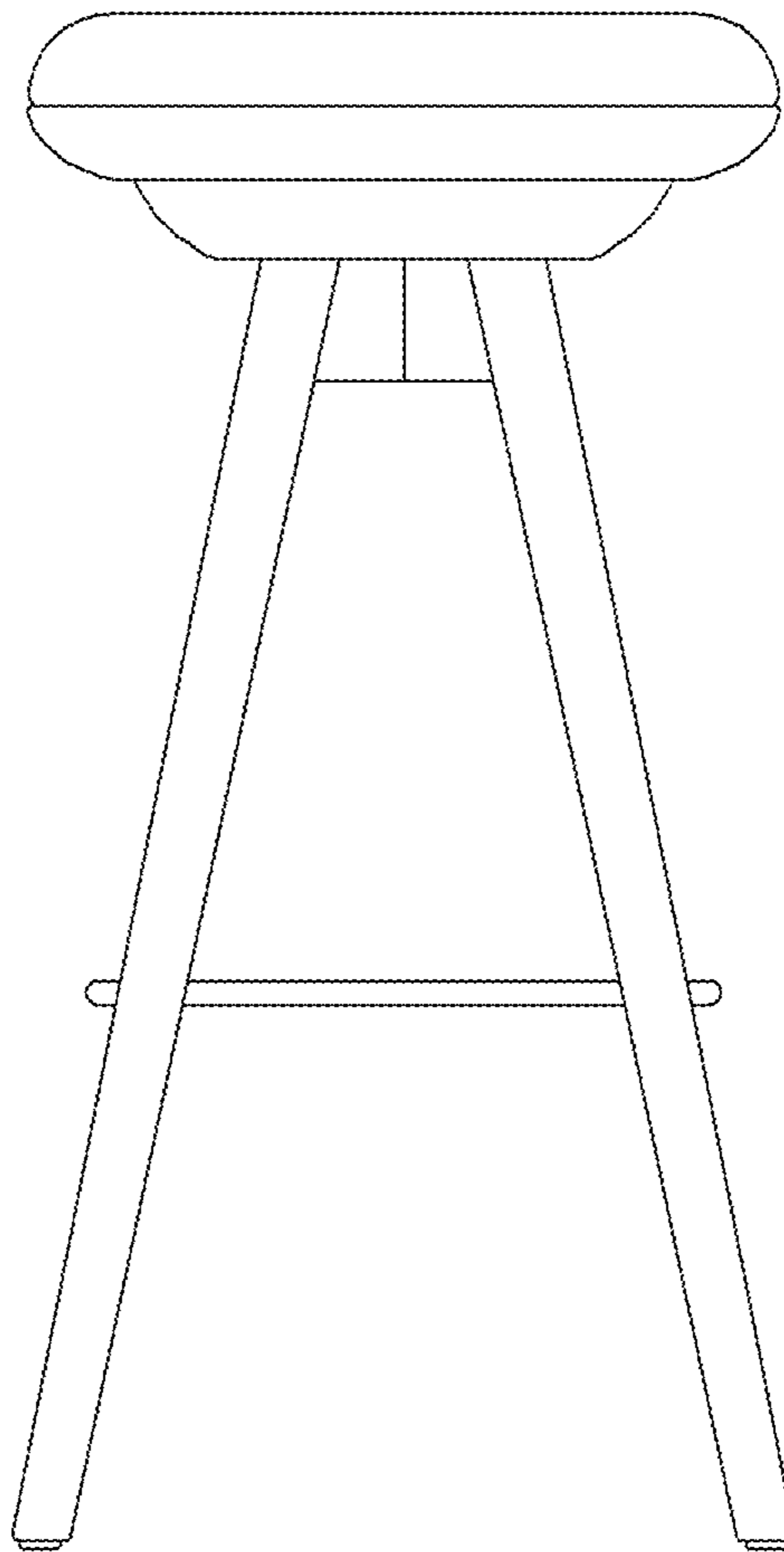


FIG. 4

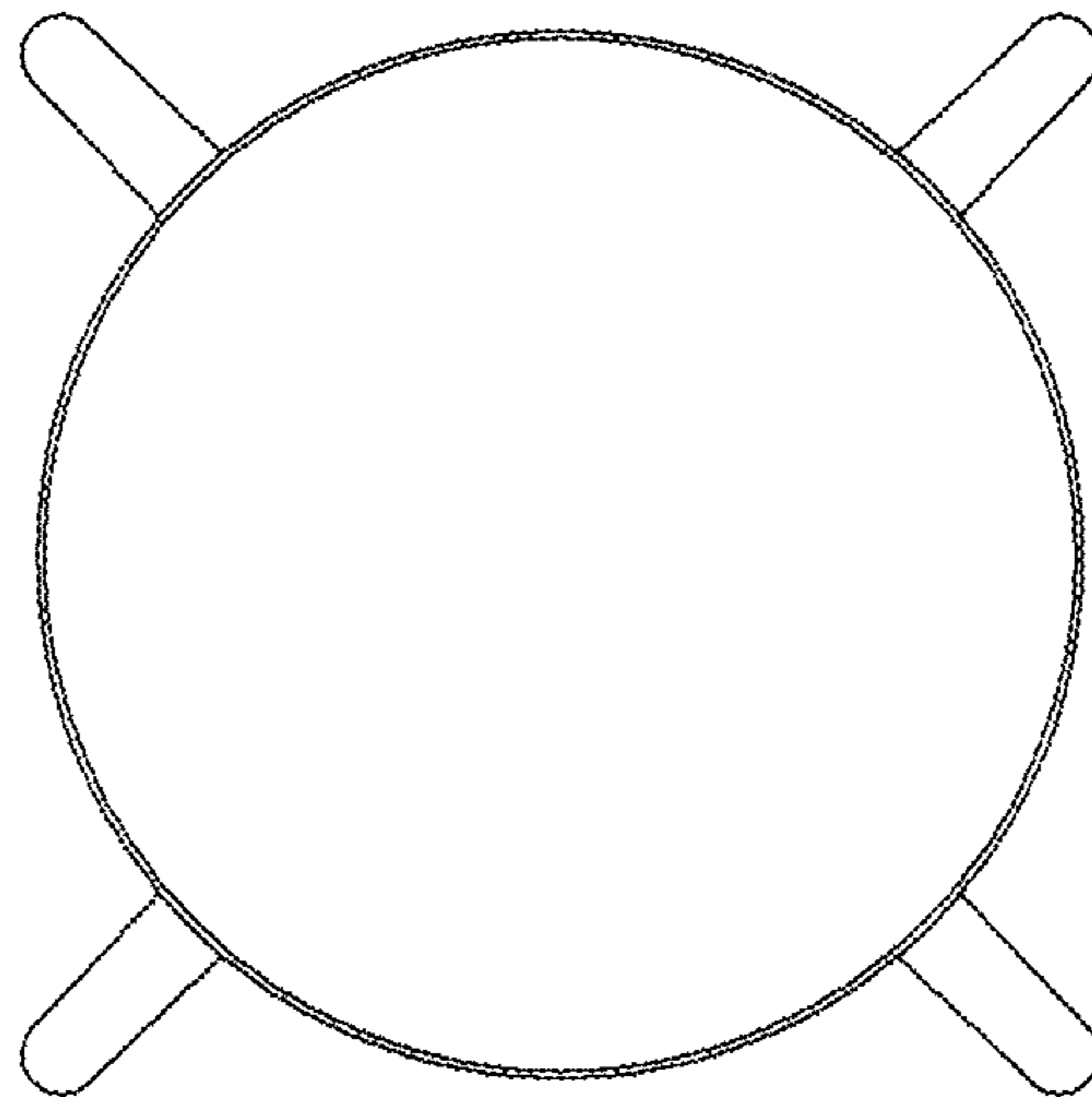


FIG. 5

