



US00D820610S

(12) **United States Design Patent**
Confer

(10) **Patent No.:** **US D820,610 S**

(45) **Date of Patent:** **** *Jun. 19, 2018**

(54) **TOOL STORAGE STOOL**

(71) Applicant: **Gustave Buddy Confer**, Hesperia, CA
(US)

(72) Inventor: **Gustave Buddy Confer**, Hesperia, CA
(US)

(*) Notice: This patent is subject to a terminal disclaimer.

(**) Term: **15 Years**

(21) Appl. No.: **29/542,194**

(22) Filed: **Oct. 12, 2015**

(51) **LOC (11) Cl.** **06-01**

(52) **U.S. Cl.**
USPC **D6/349**

(58) **Field of Classification Search**
USPC D6/334, 349-355, 363, 360, 368, 374,
D6/403, 405, 657, 675.4, 685, 688.17,
(Continued)

(56) **References Cited**

U.S. PATENT DOCUMENTS

564,032 A * 7/1896 Smith A47L 23/16
15/265
D134,359 S 11/1942 Awrth, Sr.
(Continued)

OTHER PUBLICATIONS

Stack-On Step N Stor. [online] Published on Retrieved Jul. 11, 2017
from URL:<http://www.northerntool.com/shop/tools/product_200319997_200319997?cm_mmc=Google-pla&utm_source=Google_PLA&utm_medium=Storage%20%2B%20Organizers%20%E3%20Compartmentr%20Storage%20Boxes&utm_campaign=Stack-On&utm_content=178082&gclid=EAlalQobChMlz9r0xraB1QIVRYGzCh1J-QLXEA>.*

Primary Examiner — Vy N Koenig

(74) *Attorney, Agent, or Firm* — Kirk A. Buhler; Buhler & Associate

(57) **CLAIM**

The ornamental design for a tool storage stool, as shown and described.

DESCRIPTION

FIG. 1 is a top perspective view with the lid slightly displaced of a tool storage stool showing my new design; FIG. 2 is a front side view with the lid slightly displaced thereof; FIG. 3 is a back side view thereof; FIG. 4 is a top side view thereof; FIG. 5 is a bottom side view thereof; FIG. 6 is a left side view with the lid slightly displaced thereof; FIG. 7 is a right side view thereof; FIG. 8 is an underside perspective view thereof; FIG. 9 is a side sectional view taken along lines 9-9 from FIG. 3 thereof; FIG. 10 is a side sectional view taken along lines 10-10 from FIG. 3 thereof. FIG. 11 is a top perspective view with the lid slightly displaced for a tool storage stool showing a second embodiment thereof; FIG. 12 is a front side view with the lid slightly displaced in the second embodiment thereof; FIG. 13 is a back side view in the second embodiment thereof; FIG. 14 is a top side view in the second embodiment thereof; FIG. 15 is a bottom side view in the second embodiment thereof; FIG. 16 is a left side view with the lid slightly displaced in the second embodiment thereof; FIG. 17 is a right side view in the second embodiment thereof; FIG. 18 is an underside perspective view in the second embodiment thereof; FIG. 19 is a side sectional view taken along lines 19-19 from FIG. 13 in the second embodiment thereof; and,

(Continued)

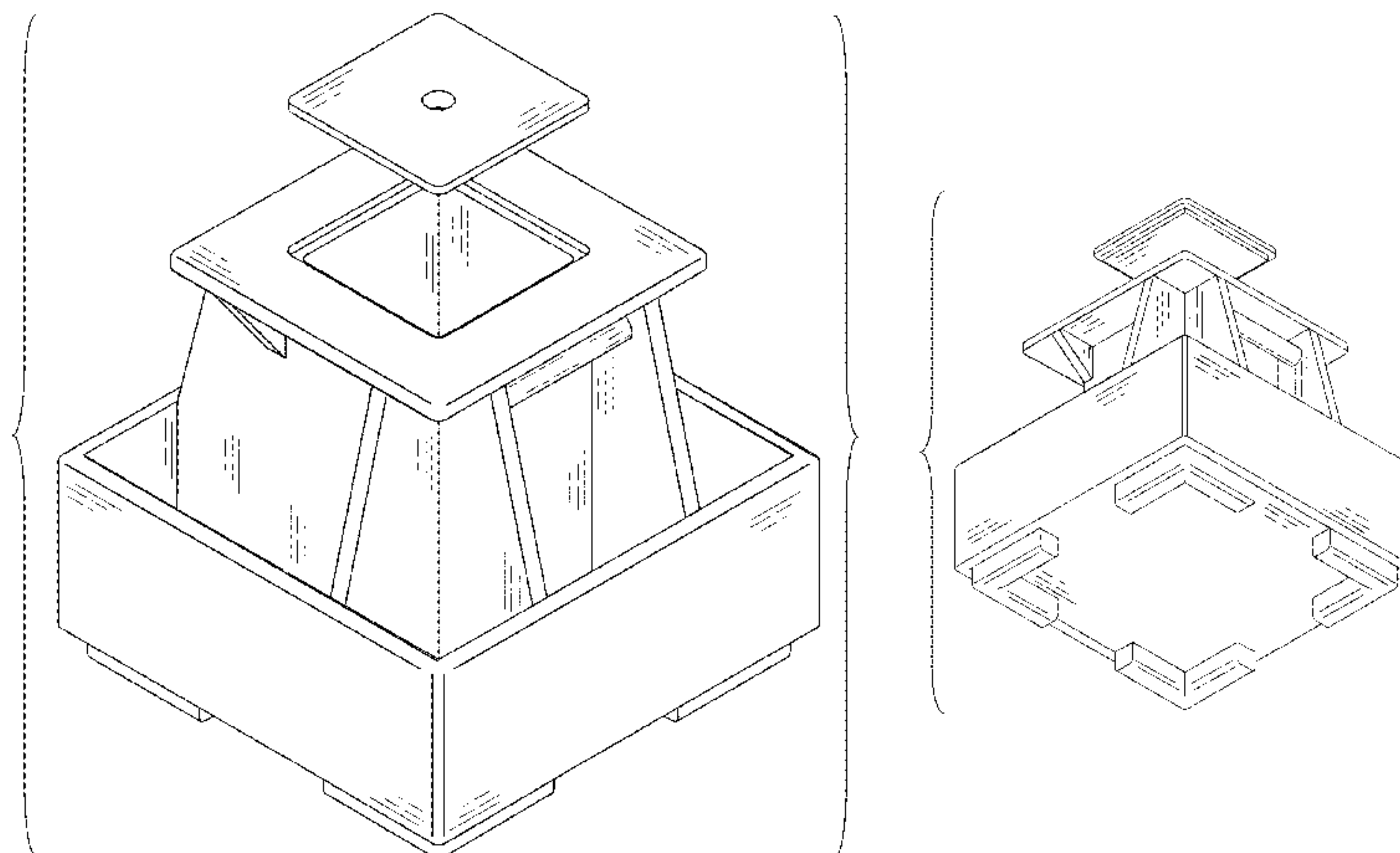


FIG. 20 is a side sectional view taken along lines 20-20 from FIG. 13 in the second embodiment.

1 Claim, 18 Drawing Sheets

(58) Field of Classification Search

USPC D6/690, 691.9, 693-693.3, 695, 708,
 D6/708.15-708.25, 709.11; D25/62-65
 CPC A47C 9/00-9/105; A47C 7/00-7/02; A47C
 16/00-16/04; A47B 7/00-7/02; A47B
 3/00; A47B 3/02; A47B 3/04; A47B 3/12
 See application file for complete search history.

(56) References Cited

U.S. PATENT DOCUMENTS

2,667,658 A * 2/1954 Cornick A47B 83/00
 15/265
 4,340,985 A * 7/1982 Potter A47C 9/027
 312/902
 4,366,998 A 1/1983 Kaiser
 D276,861 S 12/1984 Keddie
 D279,238 S 6/1985 Ferdinand et al.

D287,434 S 12/1986 Wolfe et al.
 4,744,613 A * 5/1988 Brantingham B25H 3/02
 206/216
 D314,472 S 2/1991 Brantingham et al.
 D347,527 S 6/1994 Breen et al.
 D351,508 S 10/1994 Bonazza
 D355,828 S 2/1995 Dickinson et al.
 D376,909 S 12/1996 Dickinson et al.
 5,641,034 A 6/1997 Calmeise et al.
 D382,113 S 8/1997 DuRapau
 5,733,011 A * 3/1998 Young A47C 9/002
 206/216
 D405,956 S 2/1999 Meisner et al.
 D416,727 S 11/1999 Dunlap
 D419,331 S 1/2000 Dembicks
 D482,458 S 11/2003 Limber
 D512,537 S 12/2005 Barnes et al.
 D539,552 S 4/2007 Dalmau
 D553,372 S 10/2007 Henschel
 D678,174 S 3/2013 Wass et al.
 D718,943 S 12/2014 Confer
 D736,531 S * 8/2015 Lan D6/349
 D746,606 S * 1/2016 Jaap D6/350
 D771,397 S * 11/2016 Jaap D6/350
 D789,124 S * 6/2017 Ehrenreich D6/691
 2002/0177509 A1 * 11/2002 Rodgers A63B 23/0458
 482/53

* cited by examiner

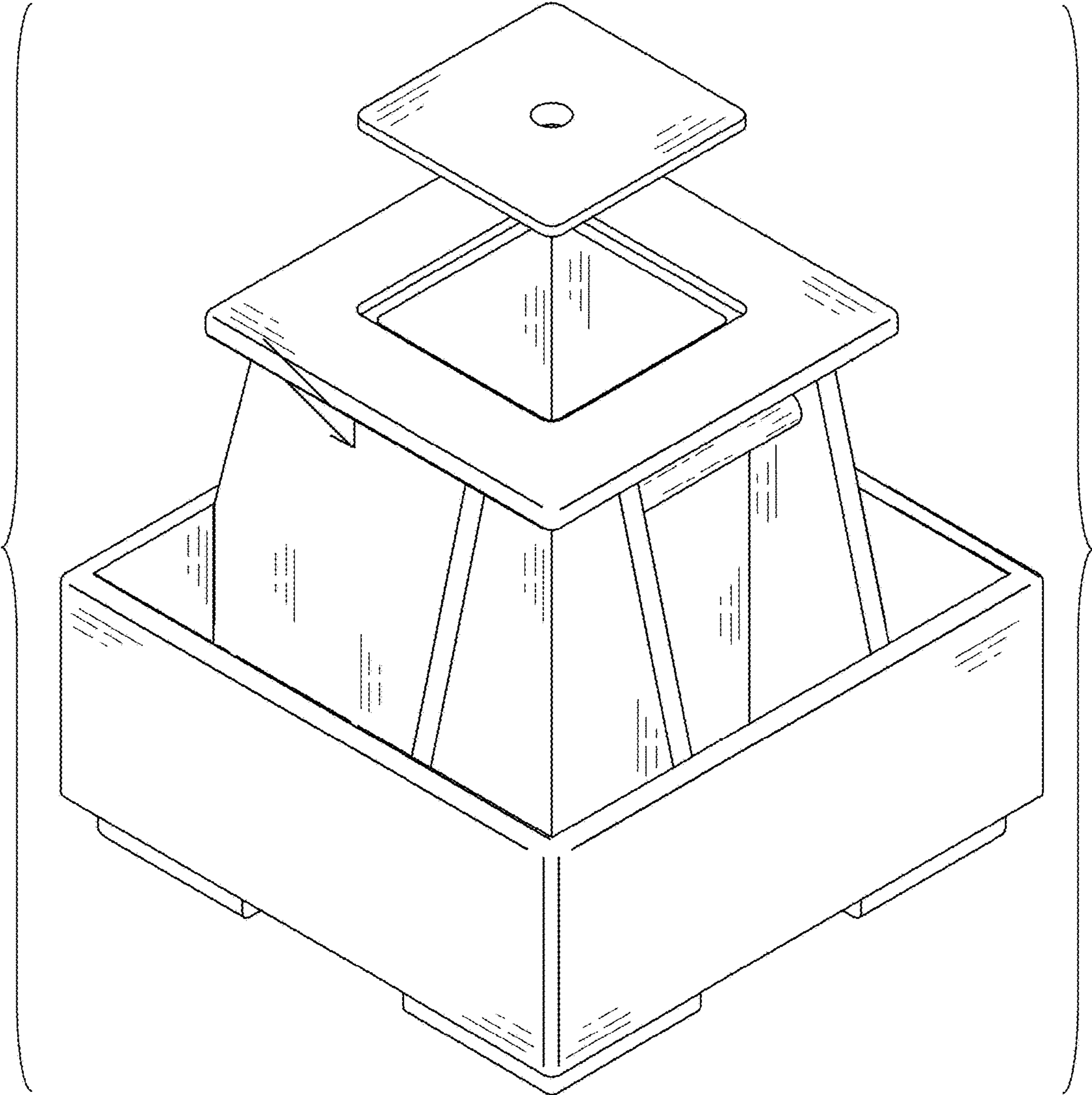


FIG 1

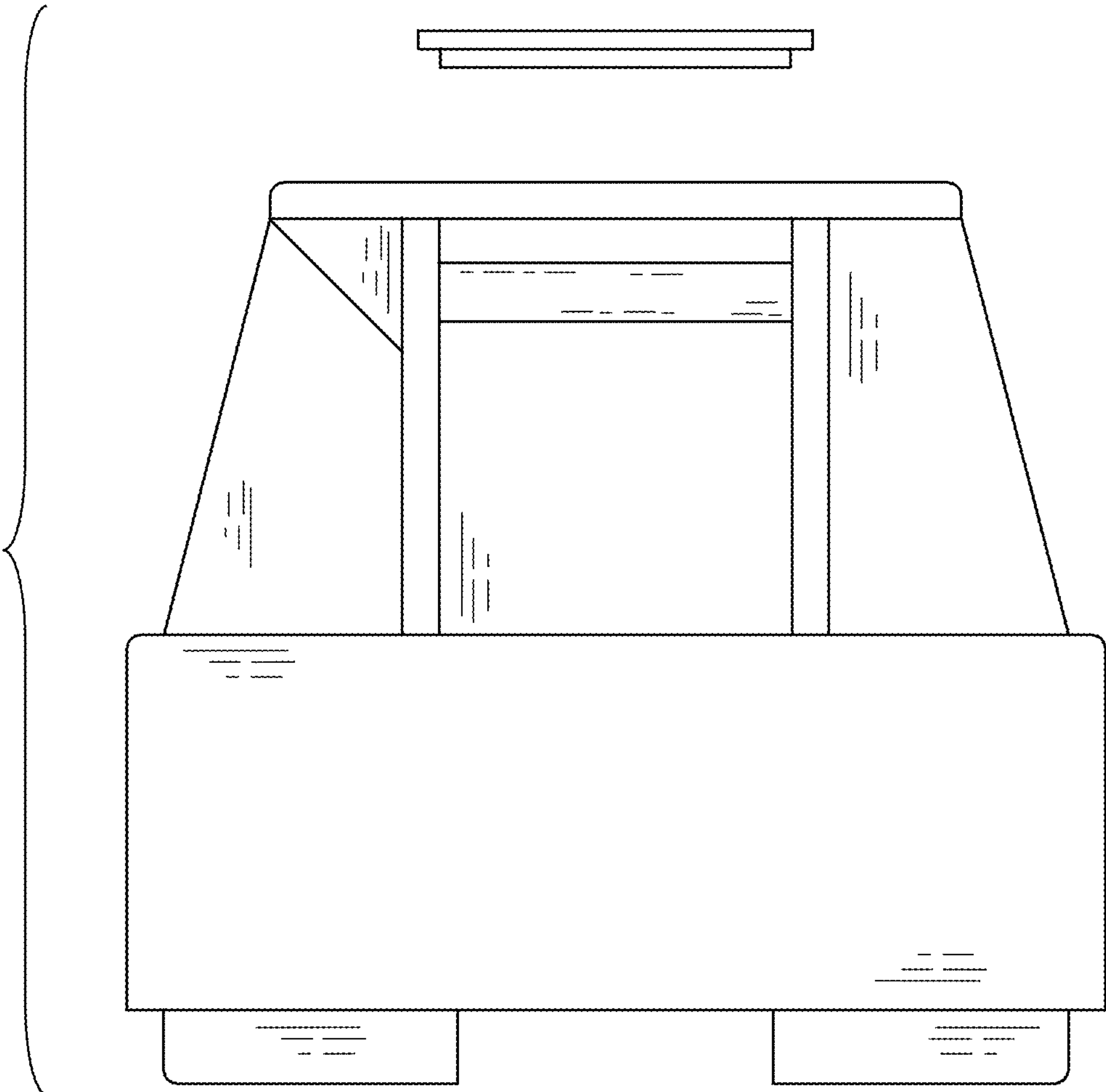


FIG 2

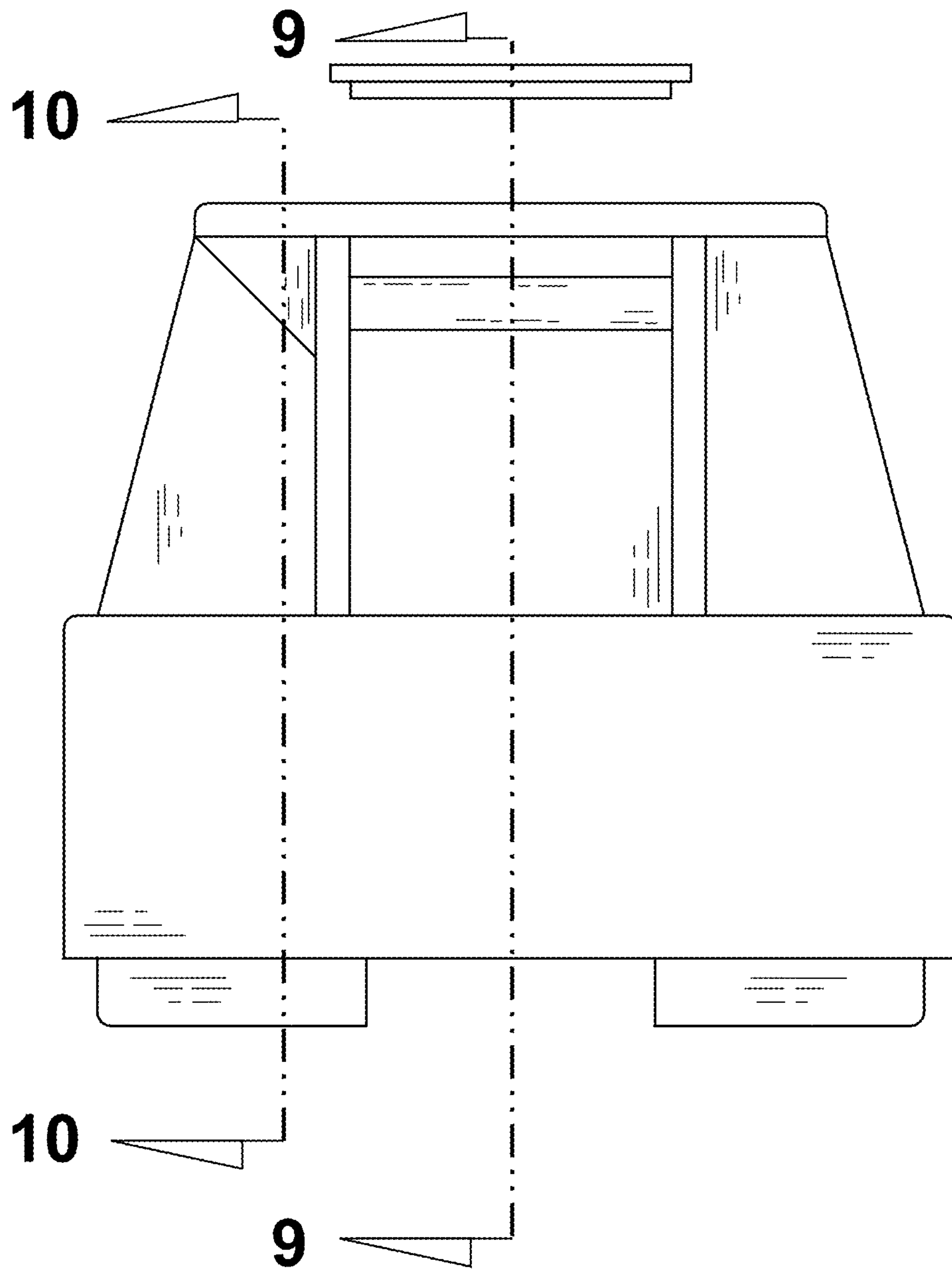


FIG 3

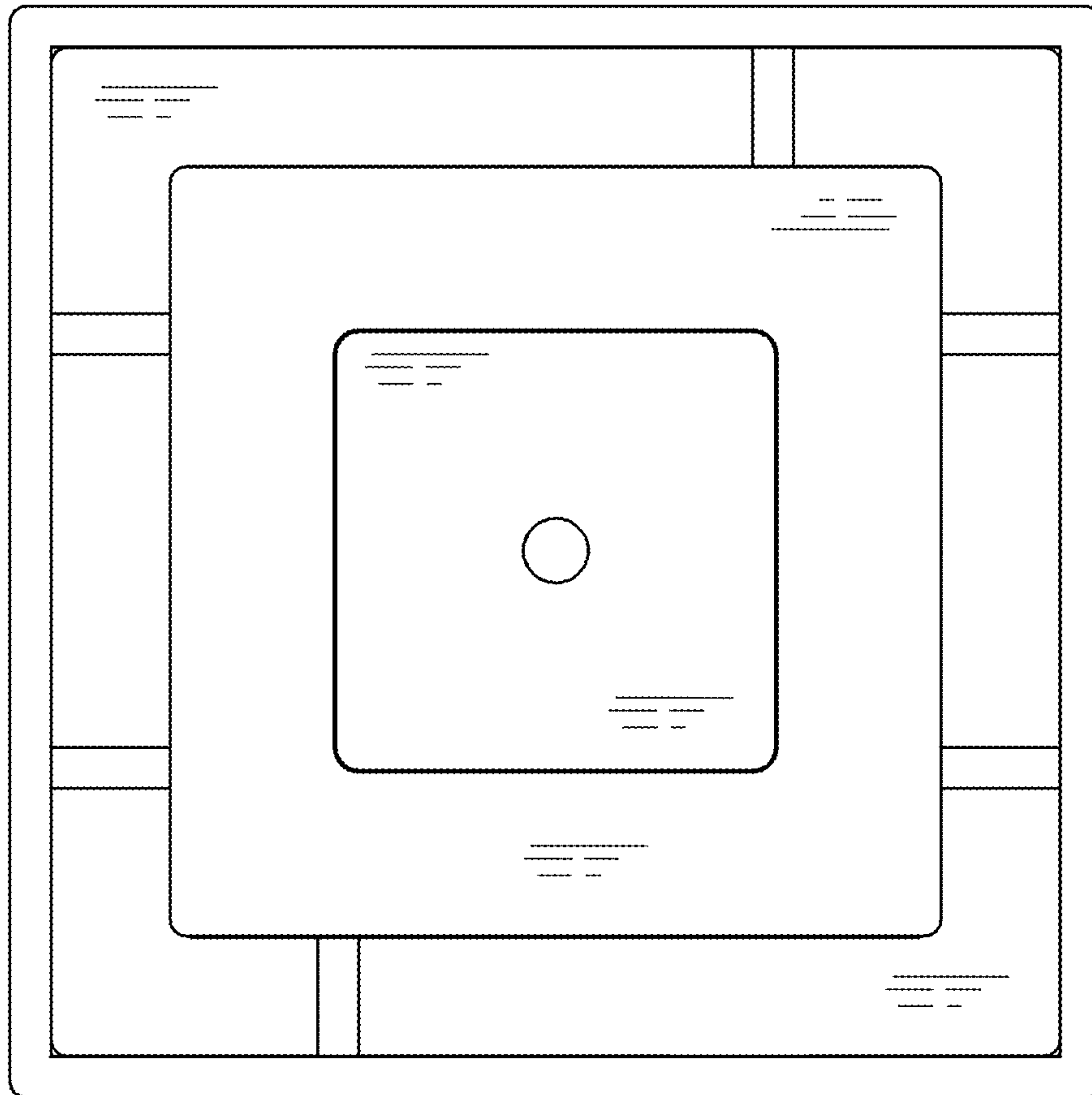


FIG. 4

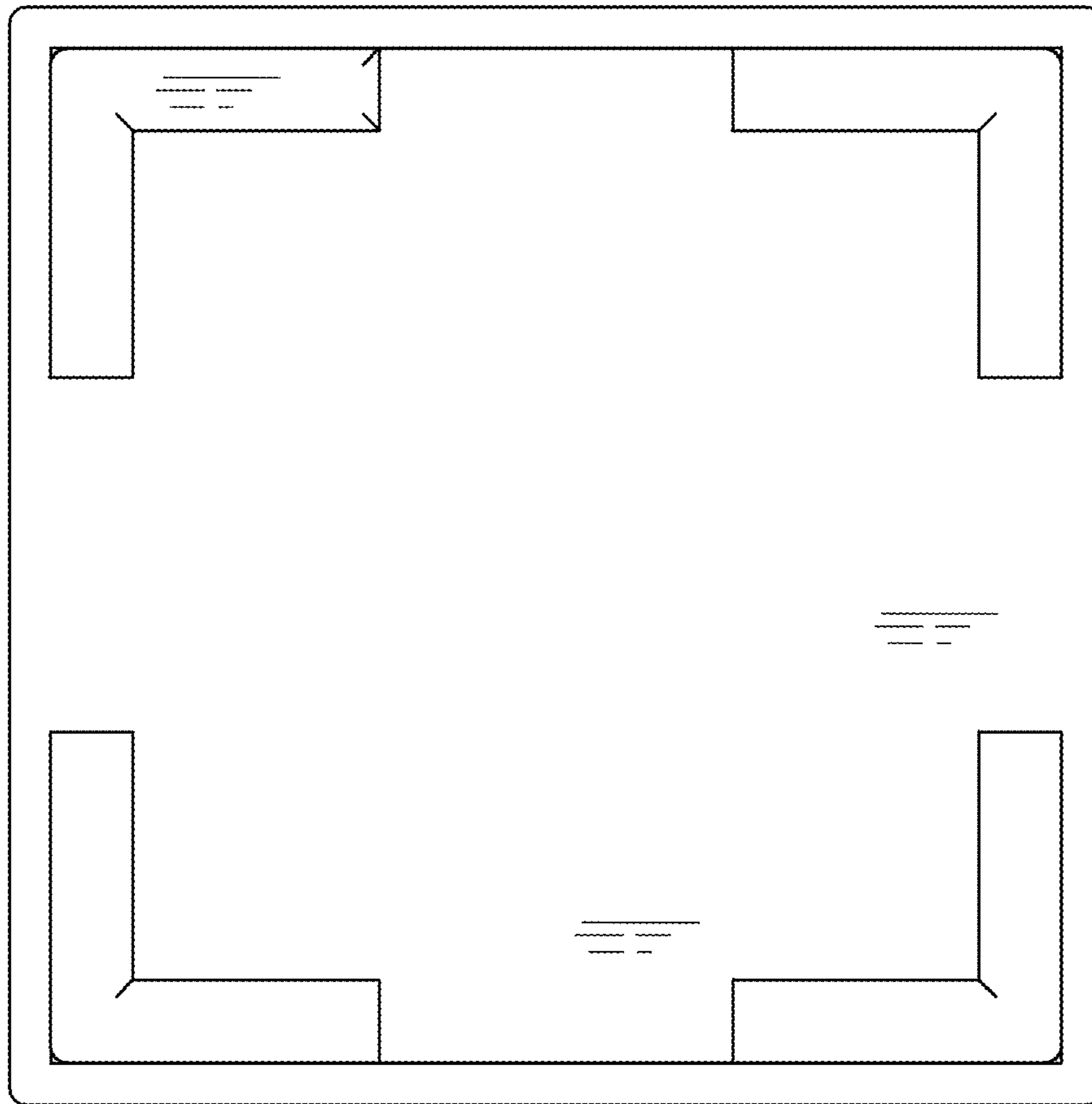


FIG 5

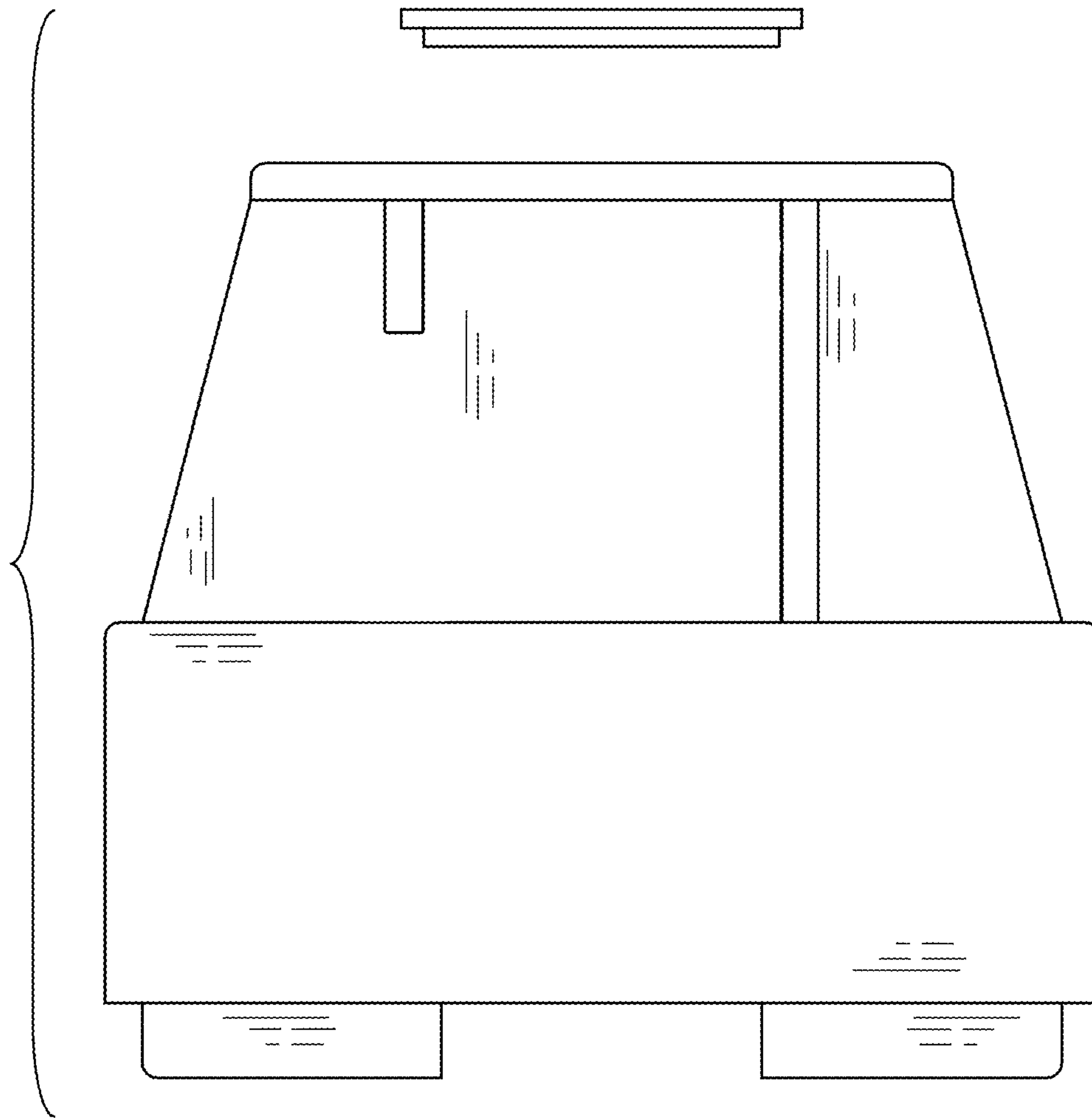


FIG 6

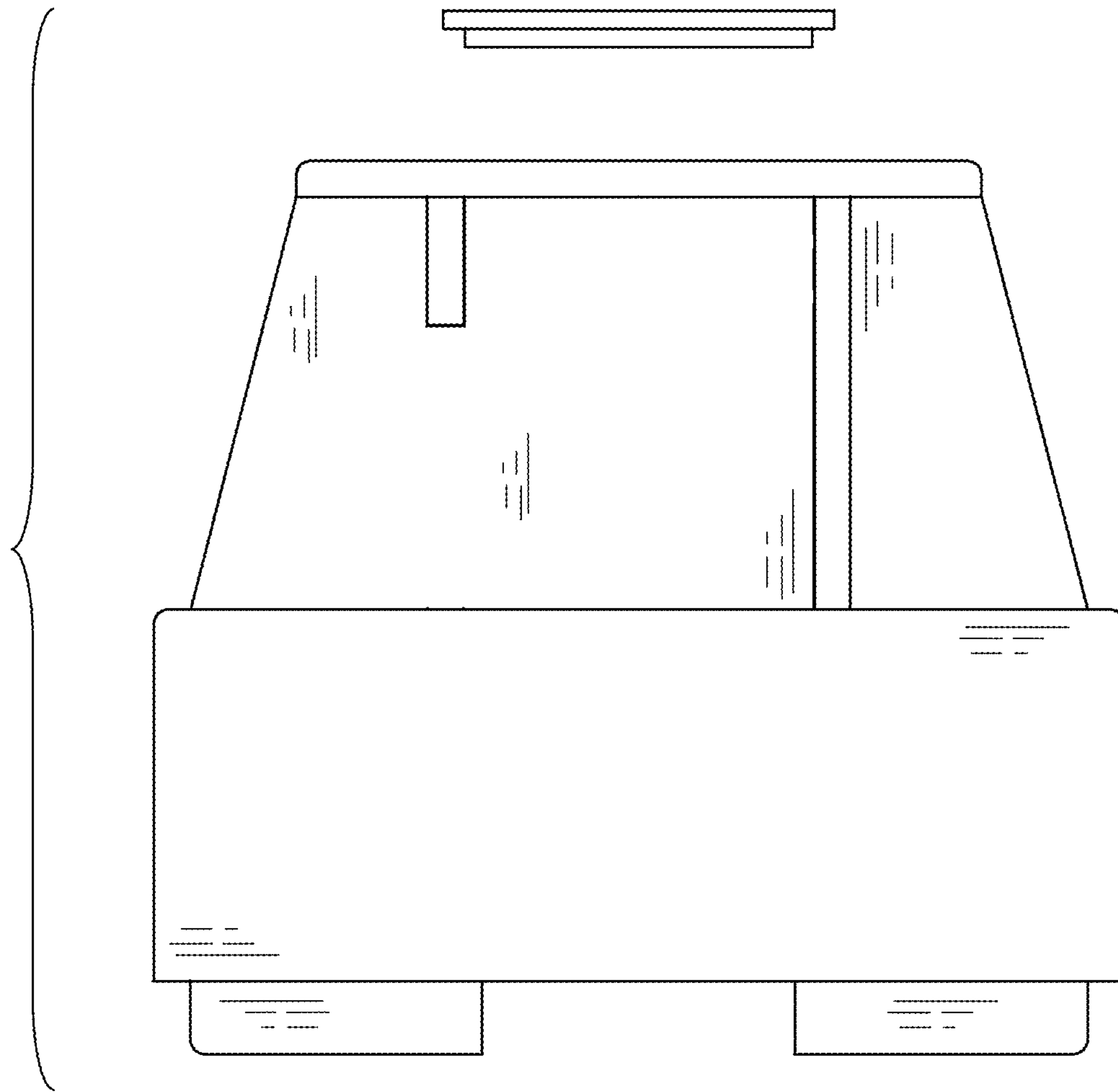


FIG 7

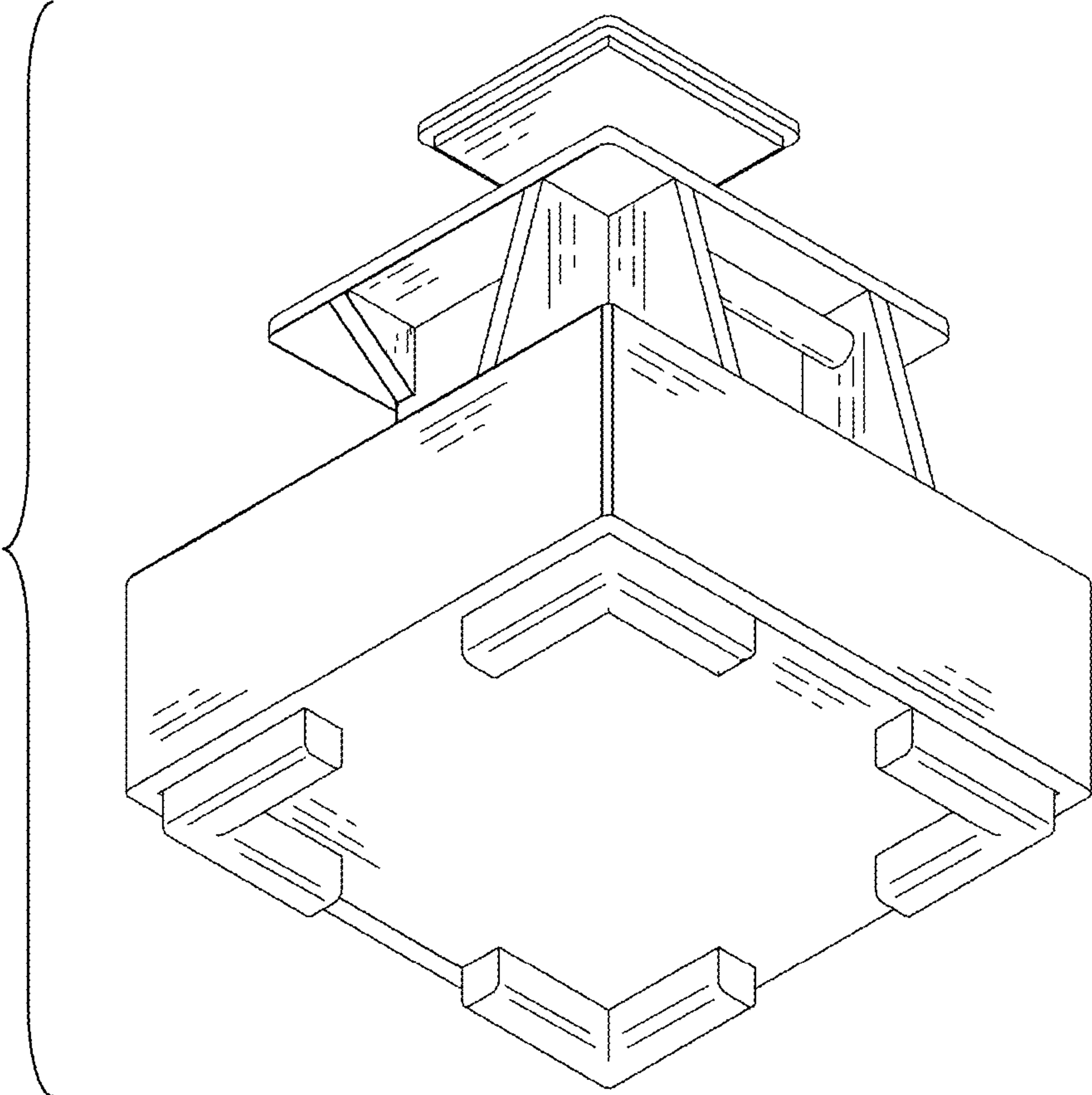


FIG. 8

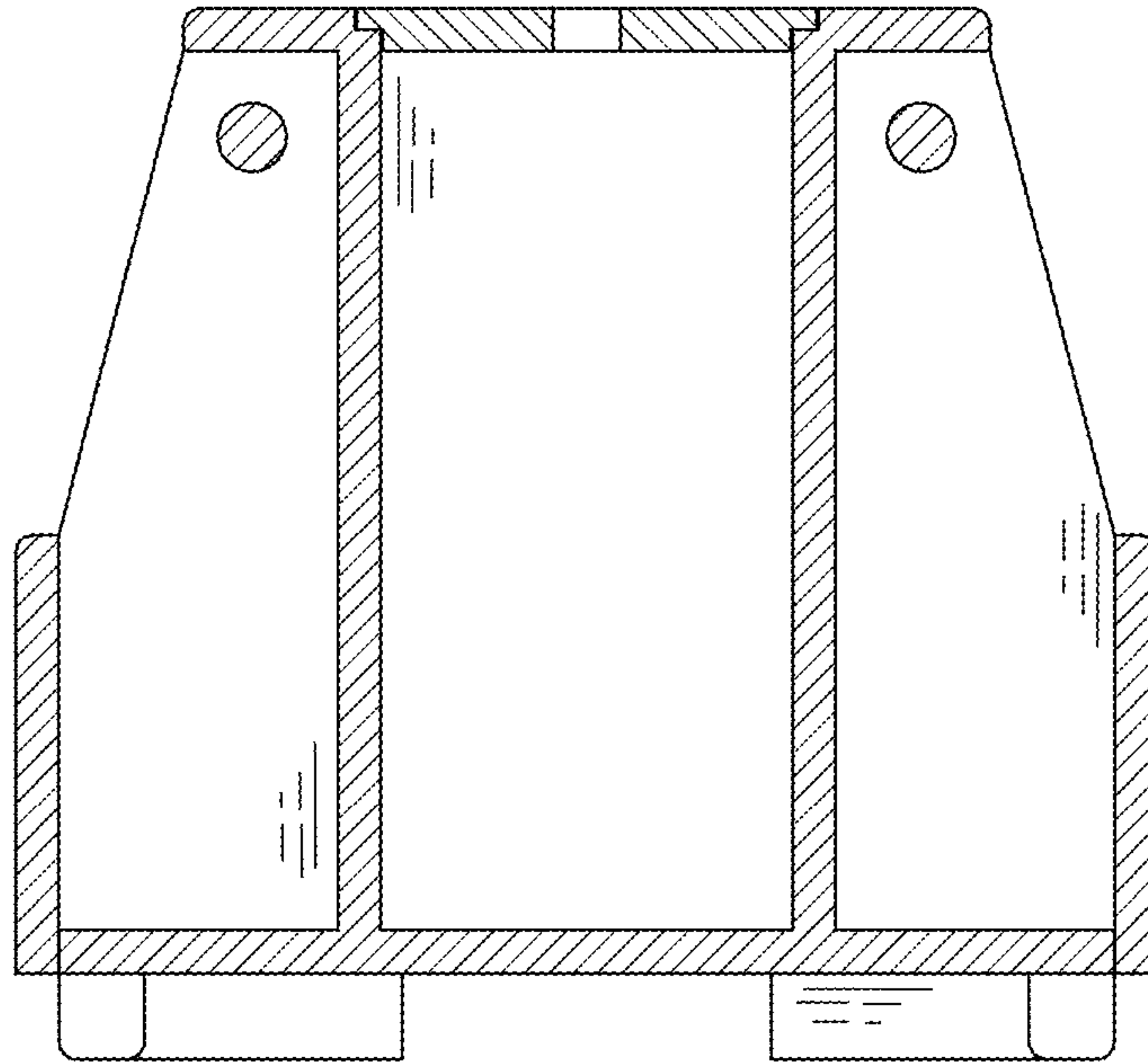


FIG 9

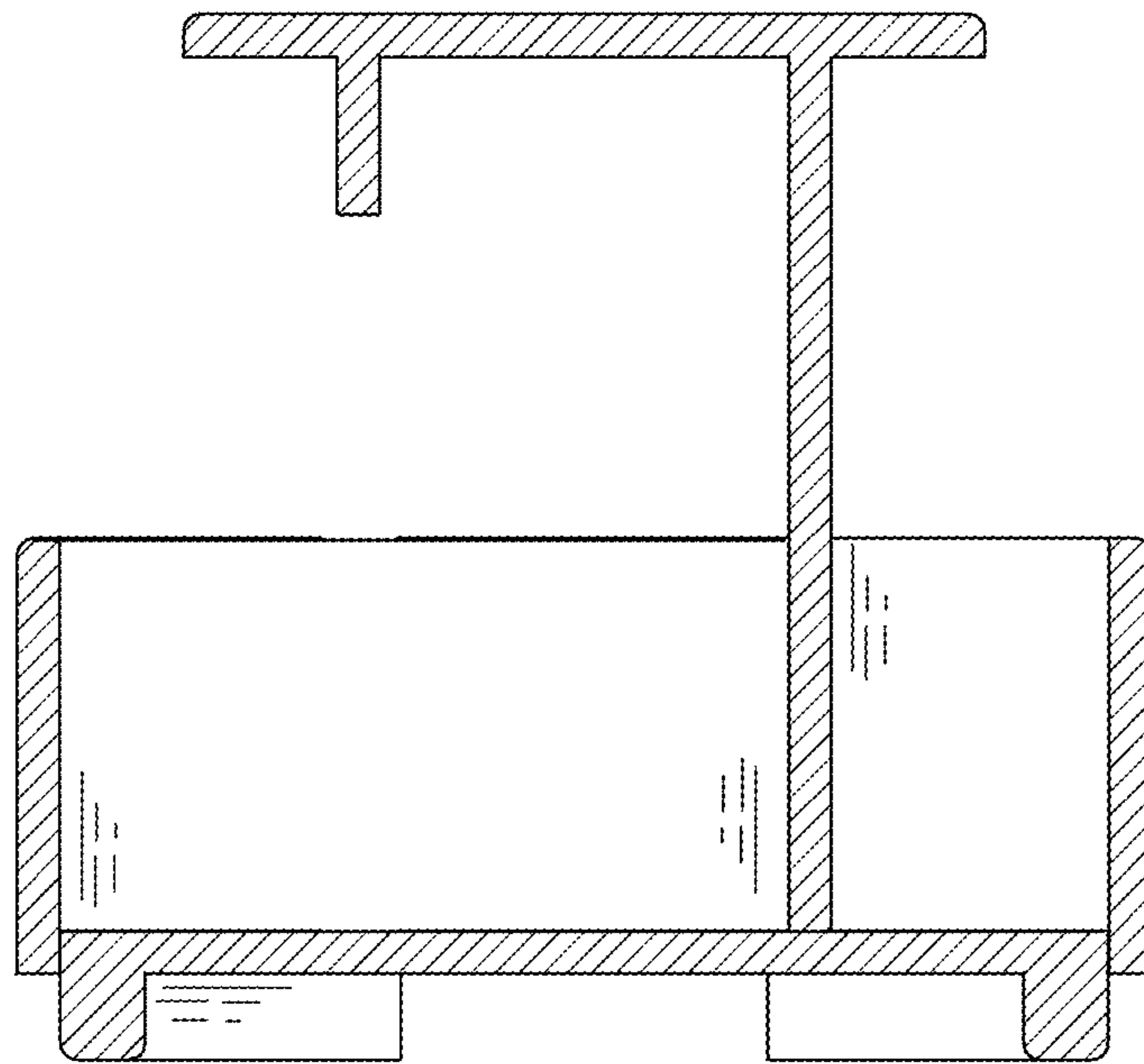


FIG 10

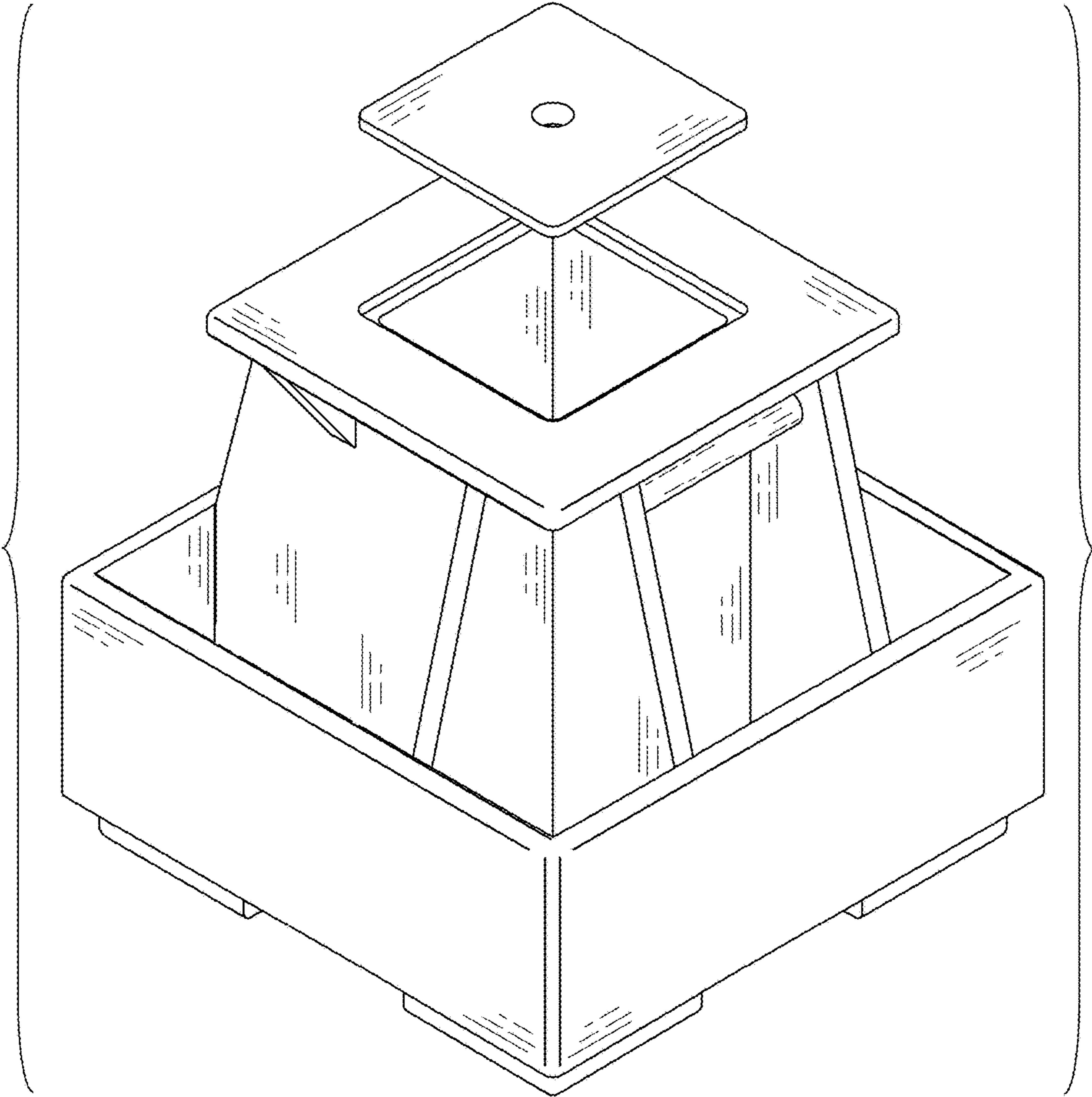


FIG 11

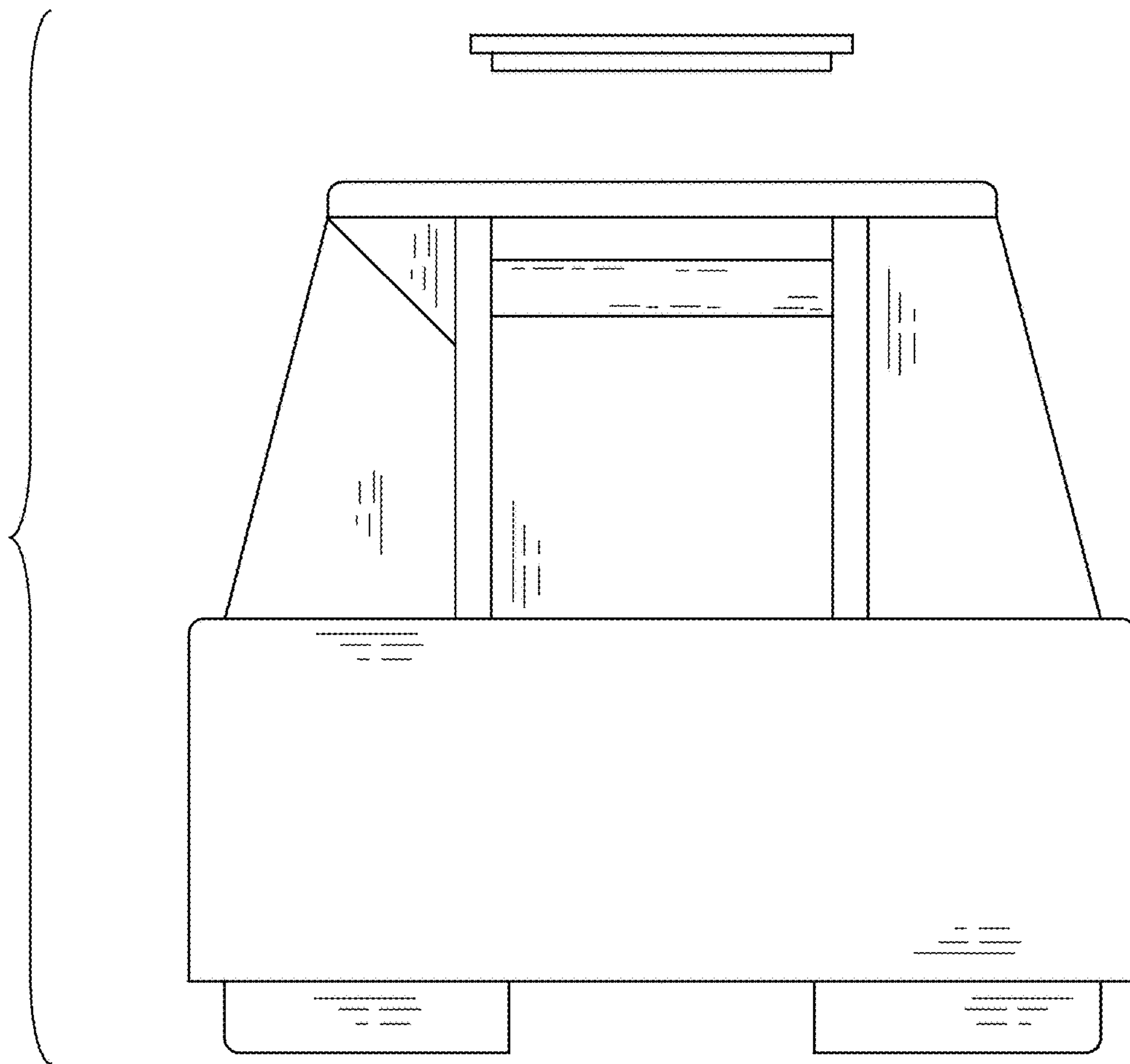


FIG 12

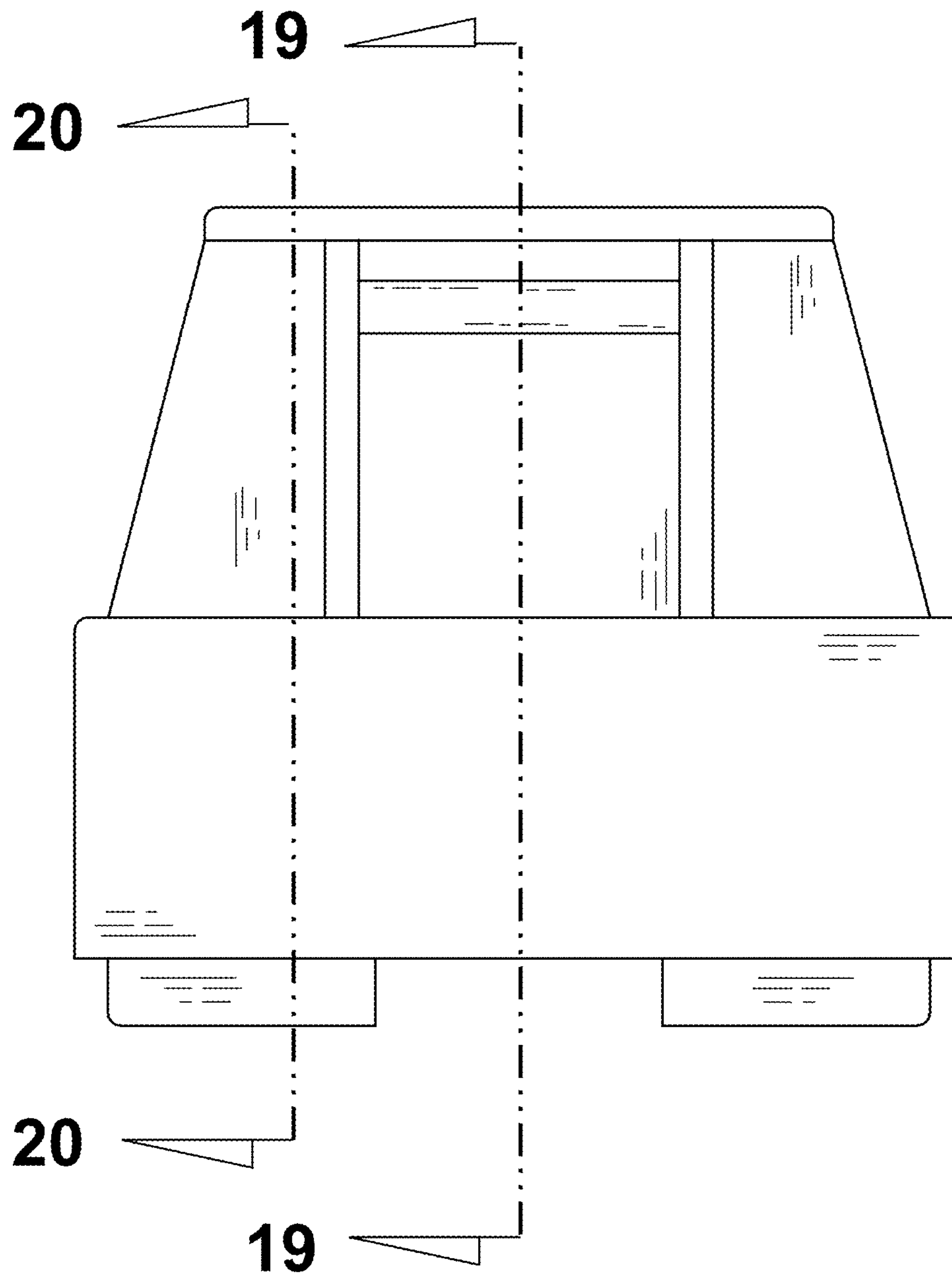


FIG 13

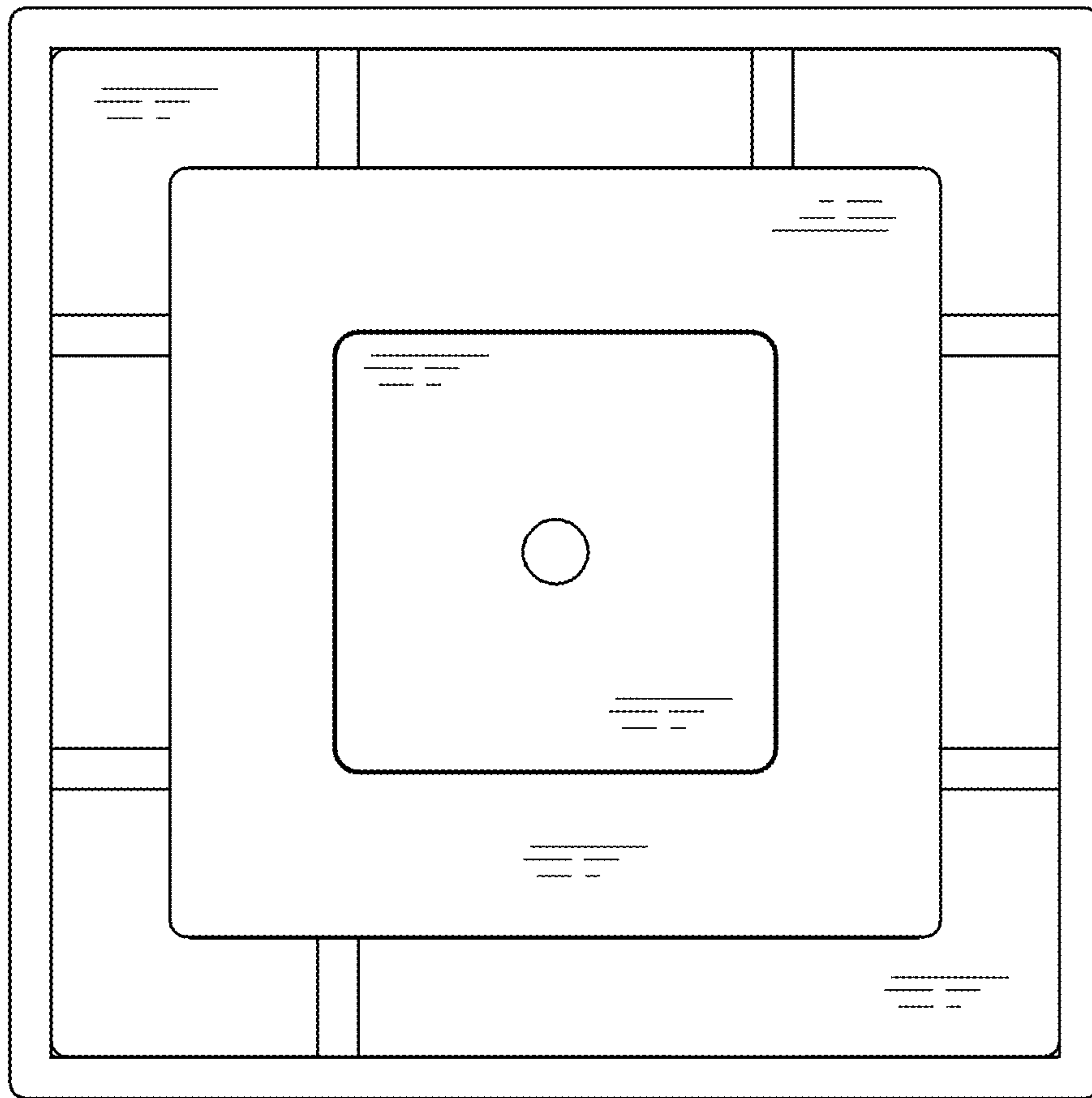


FIG 14

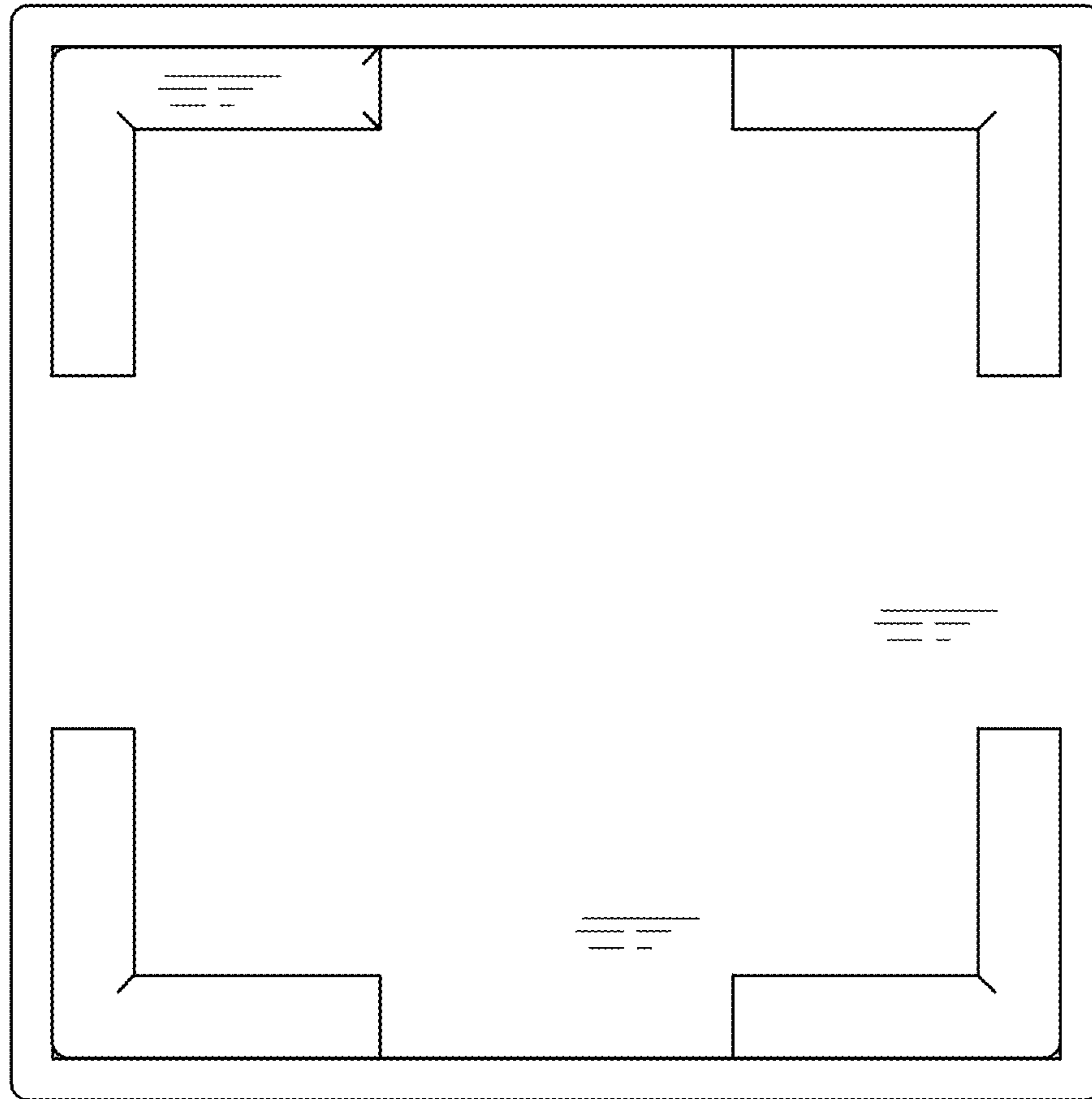


FIG. 15

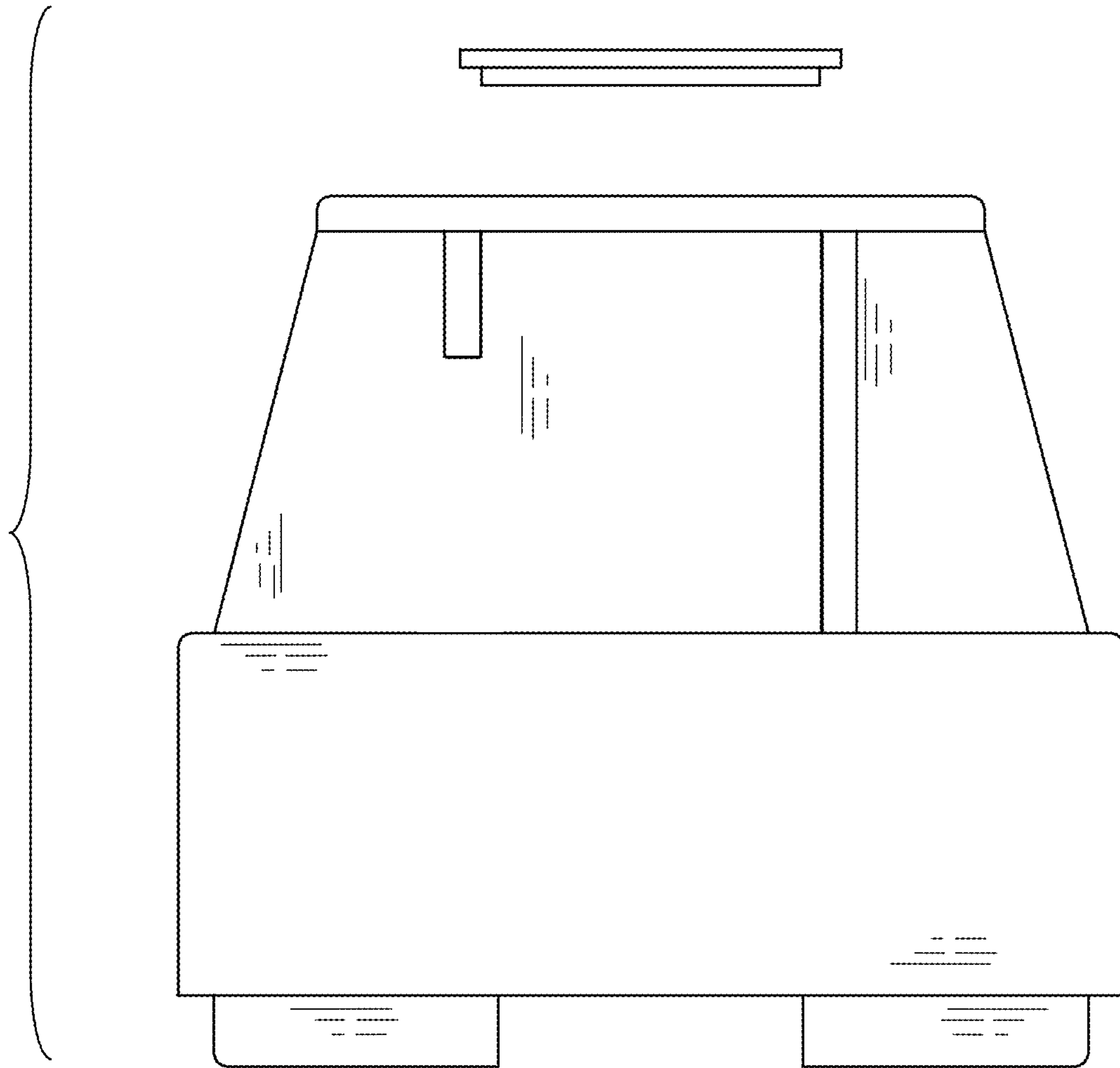


FIG 16

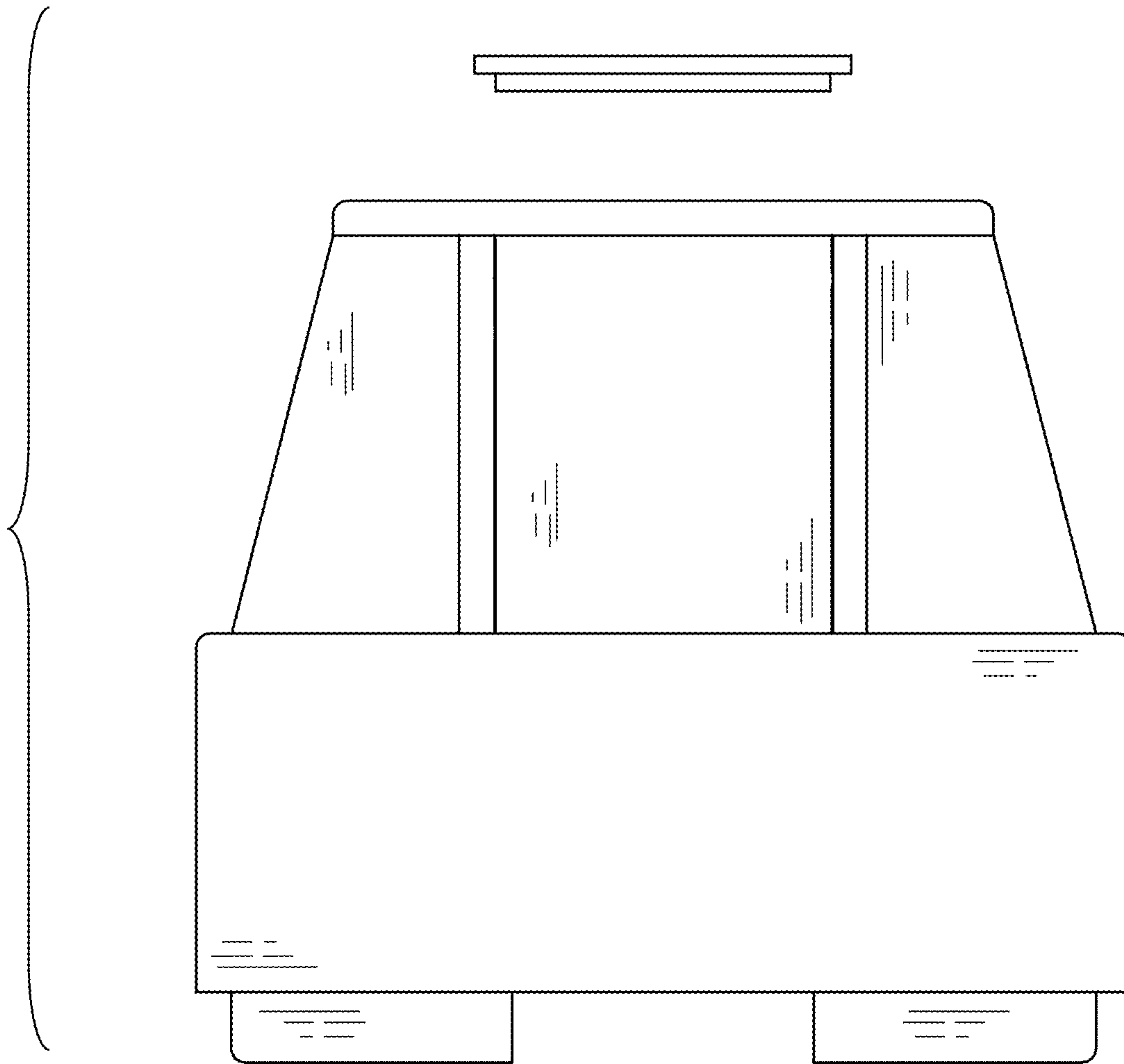


FIG 17

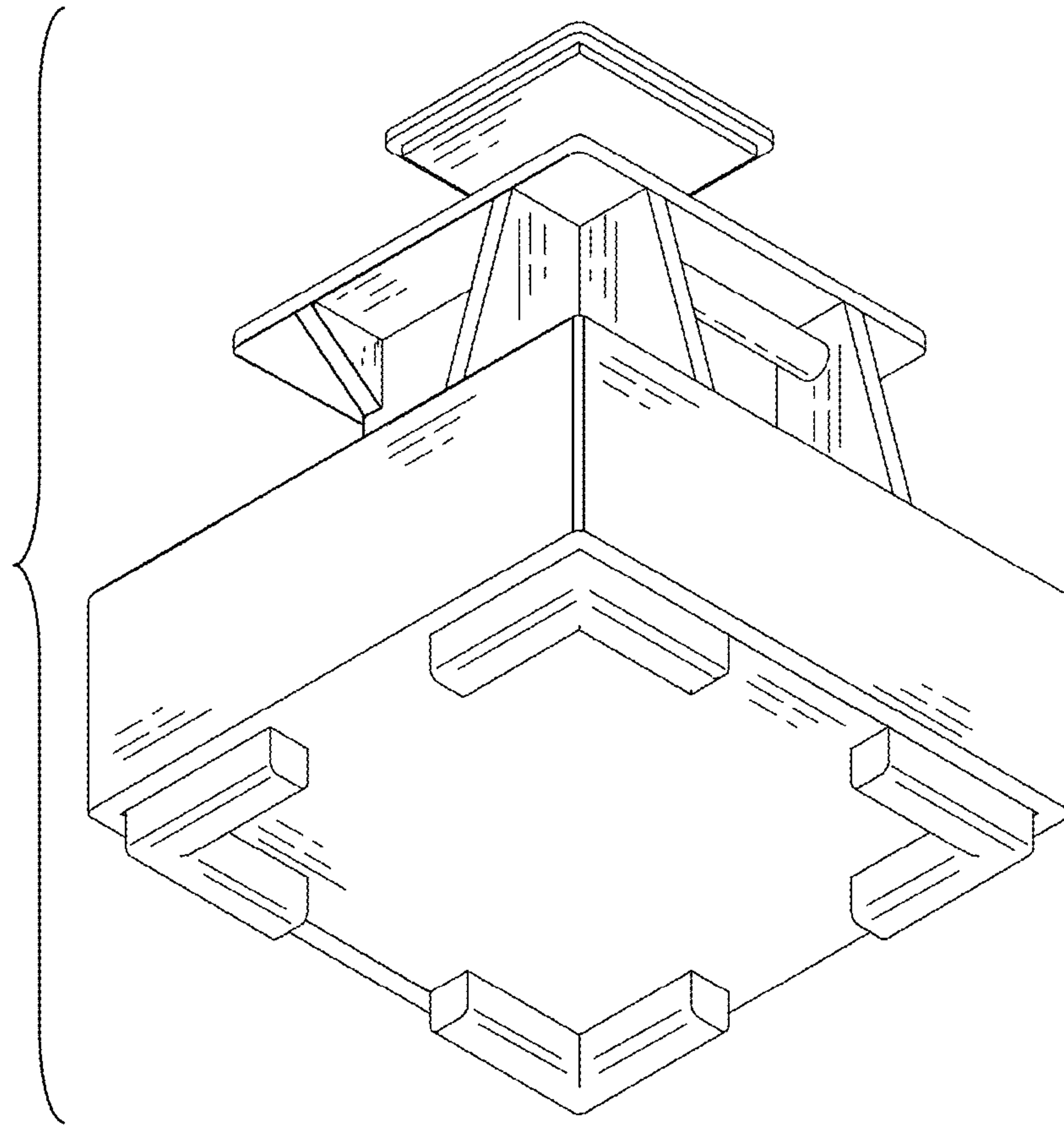


FIG 18

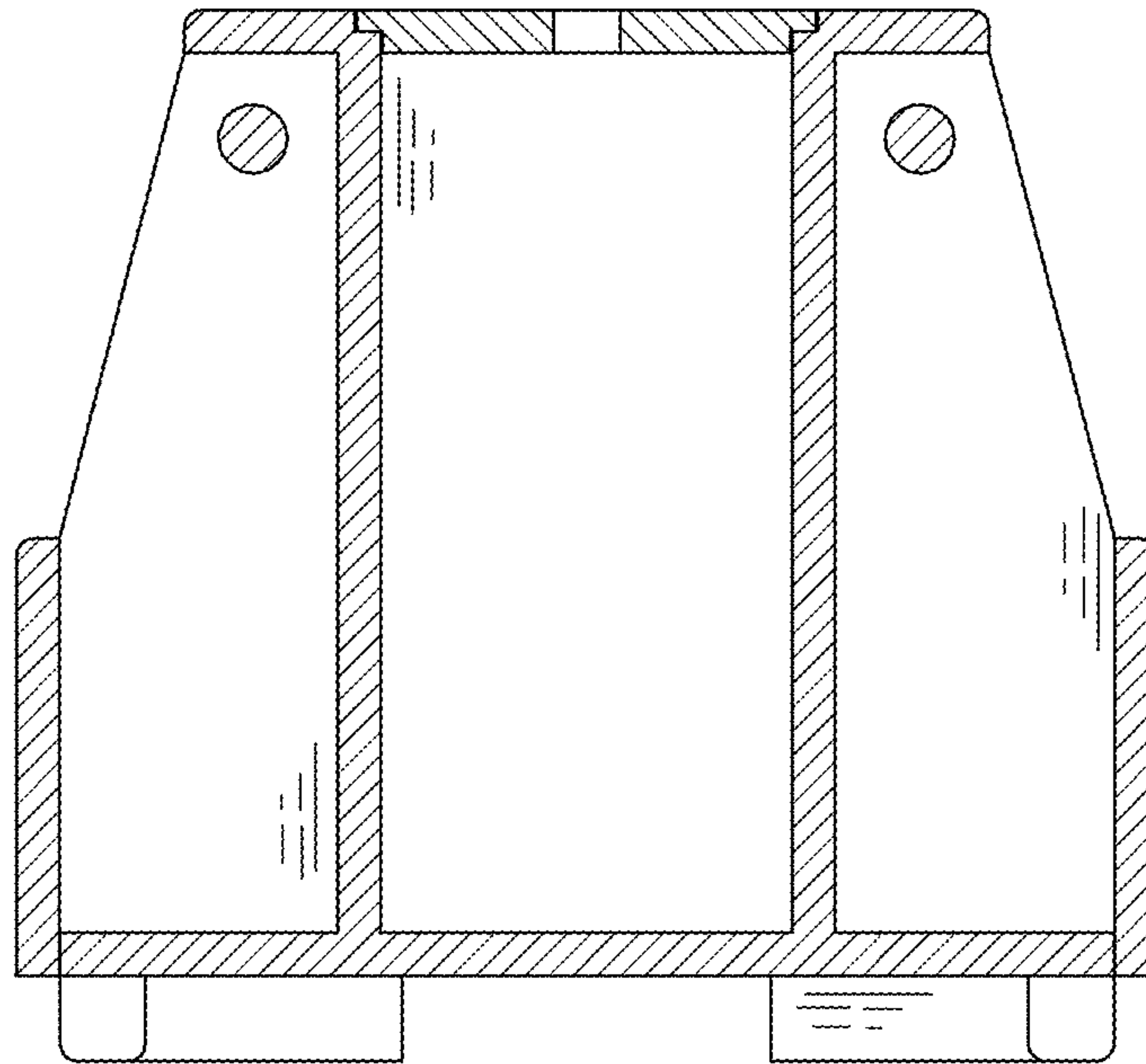


FIG. 19

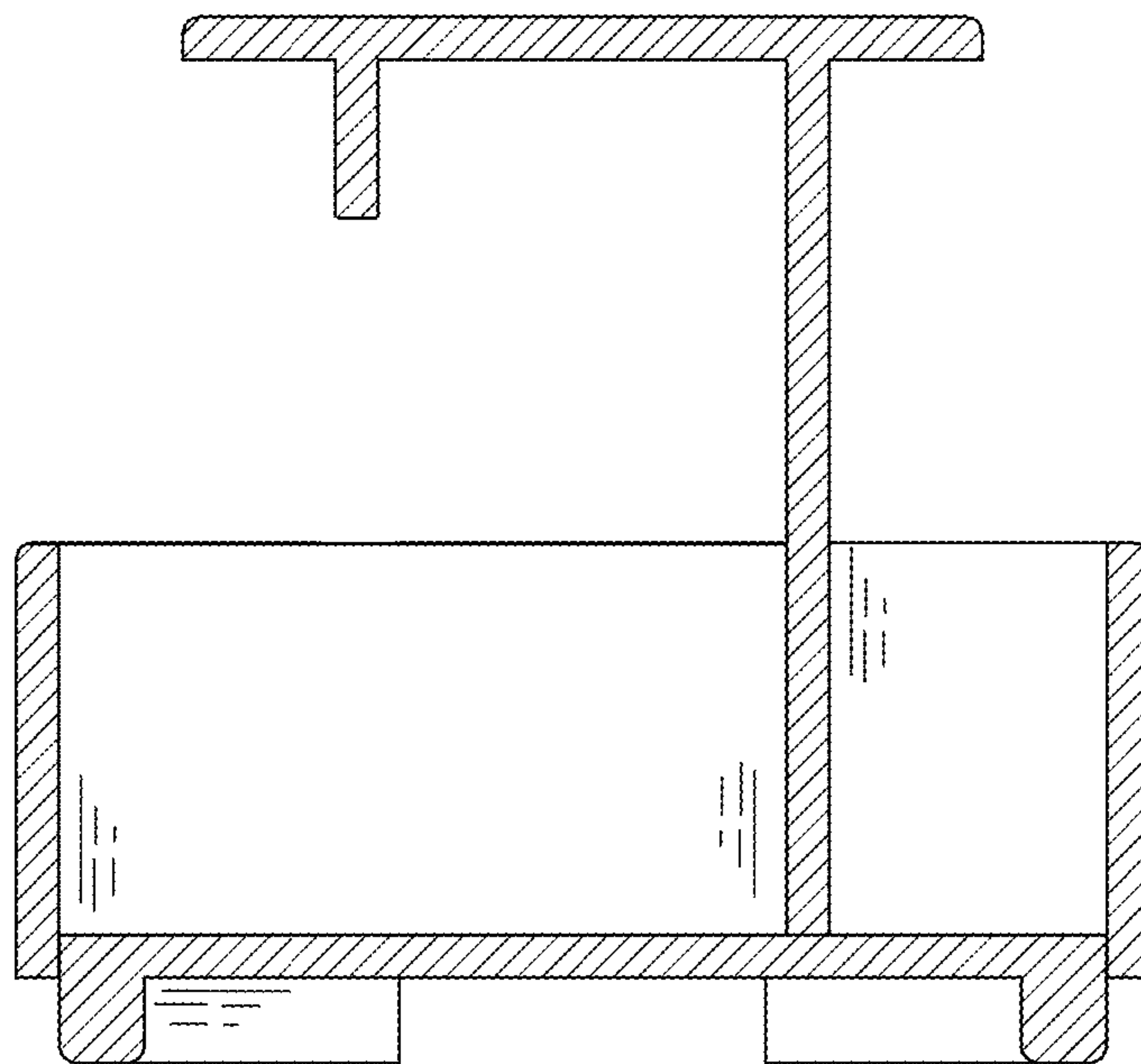


FIG. 20