



US00D820606S

(12) **United States Design Patent** (10) **Patent No.:** **US D820,606 S**  
**Hassman** (45) **Date of Patent:** **\*\* Jun. 19, 2018**

(54) **HANGING HORIZONTAL FOOTBALL CHAIR**

(71) Applicant: **Ellen Hassman**, Hollywood, FL (US)

(72) Inventor: **Ellen Hassman**, Hollywood, FL (US)

(\*\*) Term: **15 Years**

(21) Appl. No.: **29/606,768**

(22) Filed: **Jun. 7, 2017**

(51) **LOC (11) Cl.** ..... **06-01**

(52) **U.S. Cl.**  
USPC ..... **D6/345; D6/347**

(58) **Field of Classification Search**

USPC ..... D6/345, 347, 344, 351, 358, 388, 404,  
D6/658, 665, 674, 688, 703.6, 707.1,  
D6/708.1, 709.1, 717.1, 718.15, 718.27,  
D6/539, 597, 303, 316; D10/6;  
D21/315, 318, 319, 708, 709, 712, 713,  
D21/780, 816, 825, 831, 836; D11/48,  
D11/81, 99, 133, 157; D20/29; D9/516,  
D9/549, 550, 563  
CPC ..... A47D 13/105; A47D 13/107; A47C 1/00;  
A47C 3/00; A47C 3/02; A47C 3/025;  
A47C 3/0255

See application file for complete search history.

(56) **References Cited**

**U.S. PATENT DOCUMENTS**

D252,602 S \* 8/1979 Cirrone ..... D6/358  
D259,610 S \* 6/1981 Martin ..... D6/303  
D266,040 S \* 9/1982 Cope ..... D6/347  
D274,133 S \* 6/1984 Dillon ..... D10/6  
D278,549 S \* 4/1985 Kristich ..... D21/823  
D282,970 S \* 3/1986 Parkin ..... D25/16  
D346,070 S \* 4/1994 Kither ..... D6/333  
D348,361 S \* 7/1994 Beecher ..... D6/364

D369,476 S \* 5/1996 Quill ..... D6/344  
D421,034 S \* 2/2000 Shirley ..... D16/227  
D503,554 S \* 4/2005 Kay ..... D6/358  
D522,260 S \* 6/2006 Strachan ..... D6/347  
D536,888 S \* 2/2007 Dykstra ..... D6/358  
D541,552 S \* 5/2007 Weldon ..... D3/271.9  
D565,125 S \* 3/2008 Collier ..... D21/405  
D575,079 S \* 8/2008 Hirsh ..... D6/665  
D577,774 S \* 9/2008 Lo ..... D21/401  
D596,675 S \* 7/2009 Roman Moreno ..... D20/29  
D609,987 S \* 2/2010 Moman ..... D21/712  
D698,696 S \* 2/2014 McBurney ..... D11/157  
D738,128 S \* 9/2015 Paslawski ..... D6/358  
D800,508 S \* 10/2017 Peters ..... D7/559  
9,861,181 B2 \* 1/2018 Wehner ..... A45F 3/26  
2003/0024448 A1 \* 2/2003 Lieberman ..... A47B 13/16  
108/161  
2007/0283611 A1 \* 12/2007 Laurent ..... G09F 23/00  
40/700

\* cited by examiner

*Primary Examiner* — Deanna L Pratt

(74) *Attorney, Agent, or Firm* — Robert M. Downey, P.A.

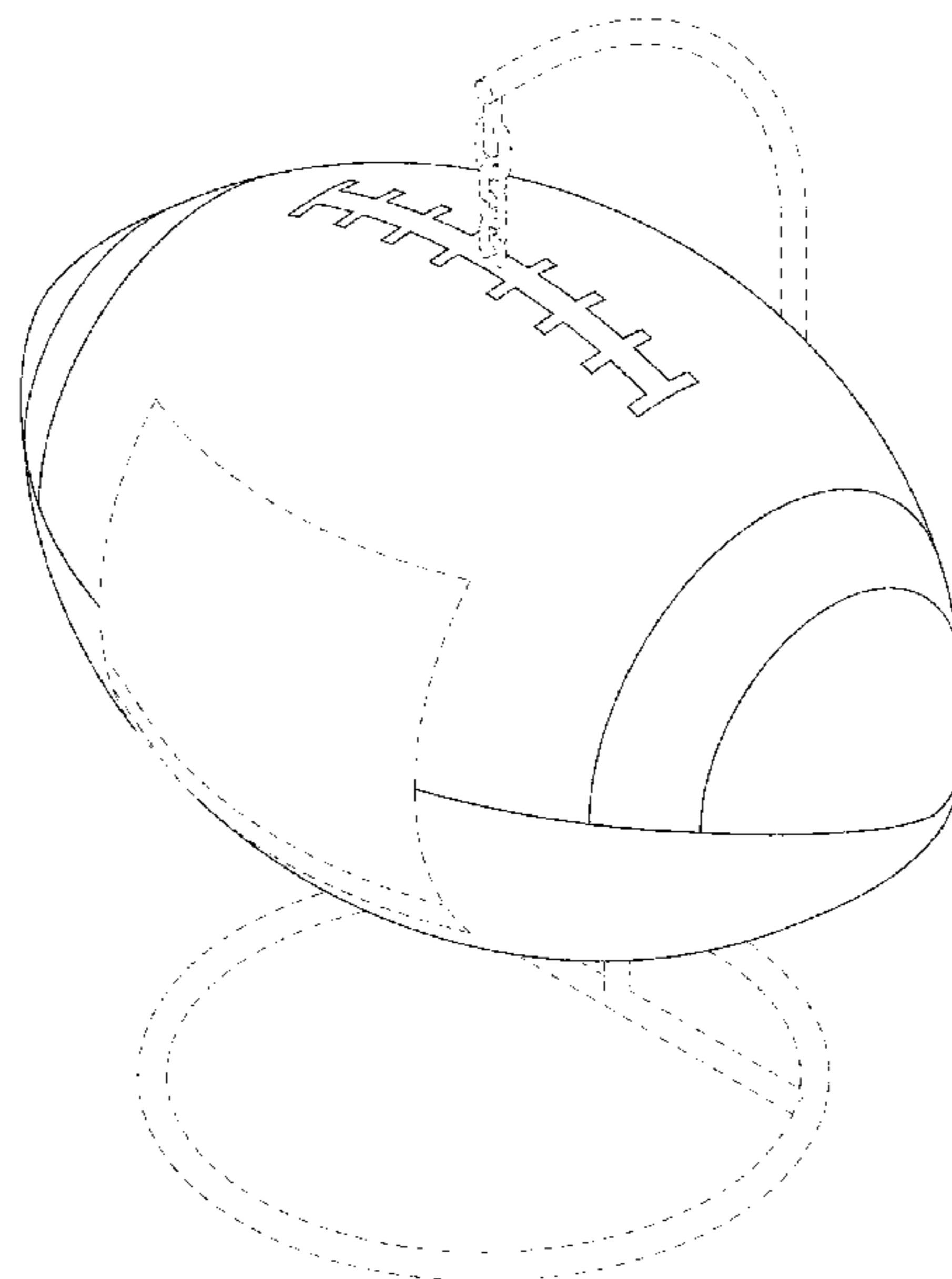
(57) **CLAIM**

The ornamental design for a hanging horizontal football chair, as shown and described.

**DESCRIPTION**

FIG. 1 is a front, top perspective view of a hanging horizontal football chair showing my new design; FIG. 2 is a front elevational view thereof; FIG. 3 is a rear elevational view thereof; FIG. 4 is a left side elevational view thereof; FIG. 5 is a right side elevational view thereof; FIG. 6 is a top plan view thereof; and, FIG. 7 is a bottom plan view thereof. The broken lines illustrate portions of the hanging horizontal football chair that form no part of the claimed design.

**1 Claim, 7 Drawing Sheets**



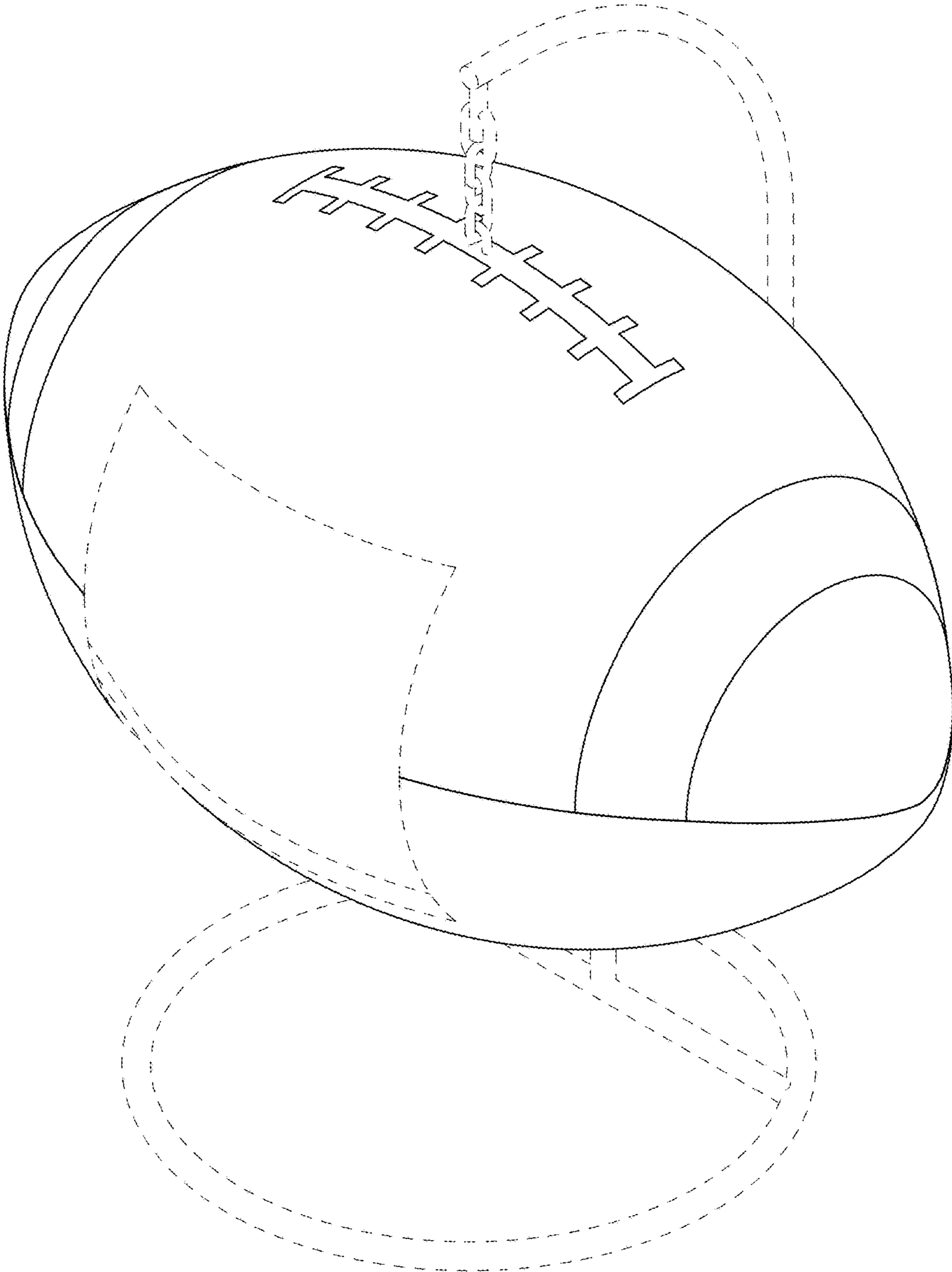


FIG. 1

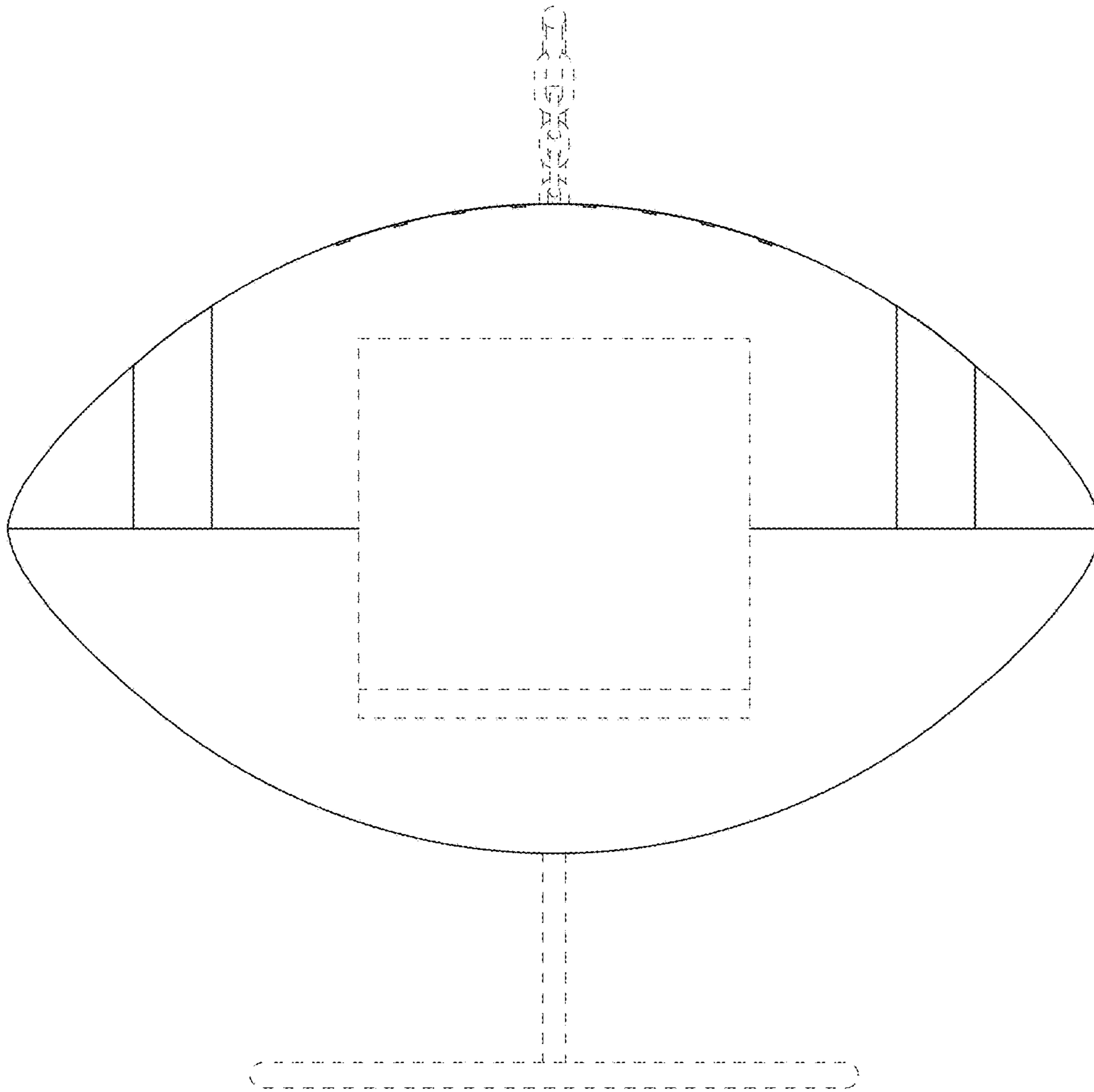


FIG. 2

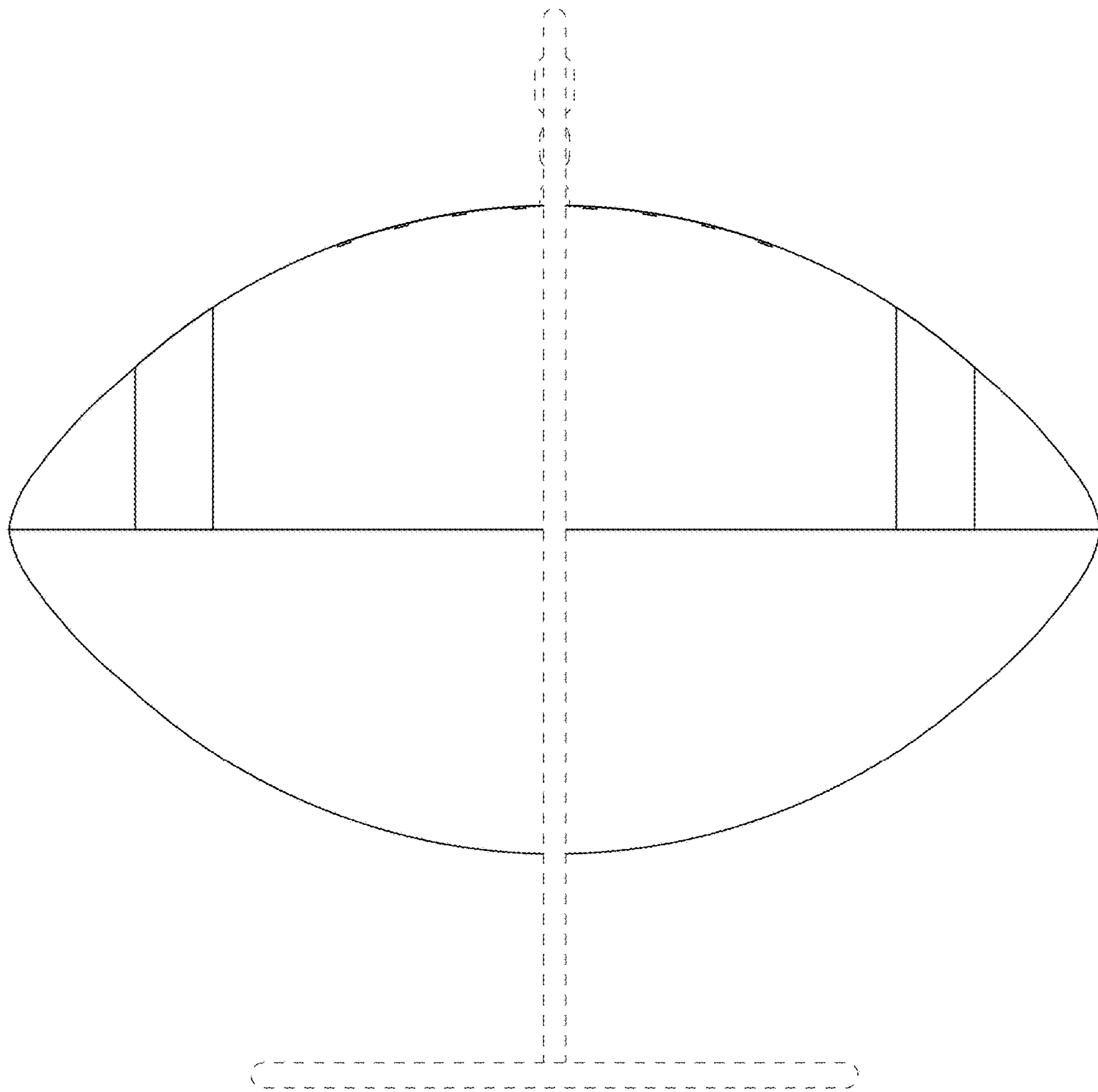


FIG. 3

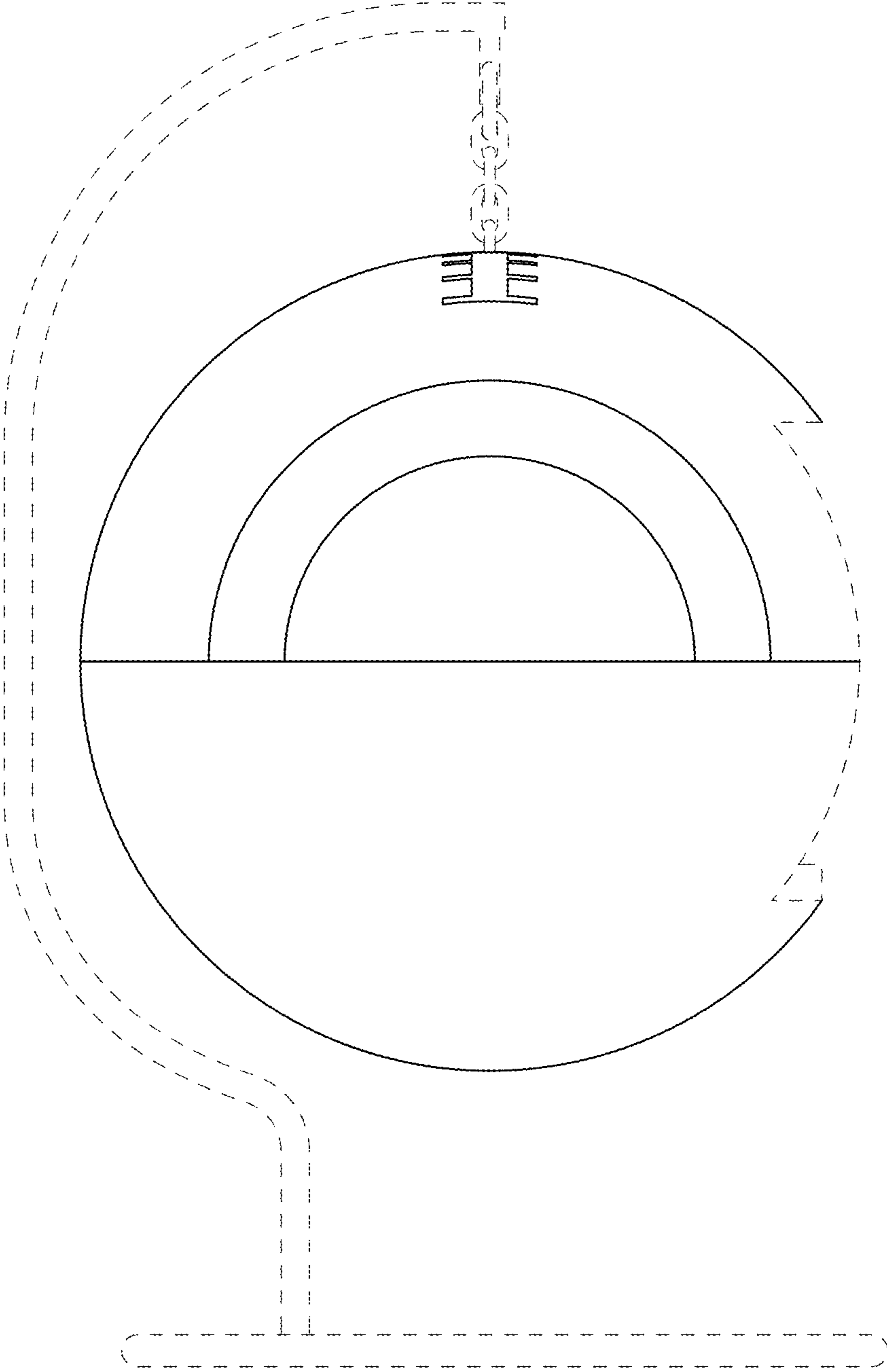


FIG. 4

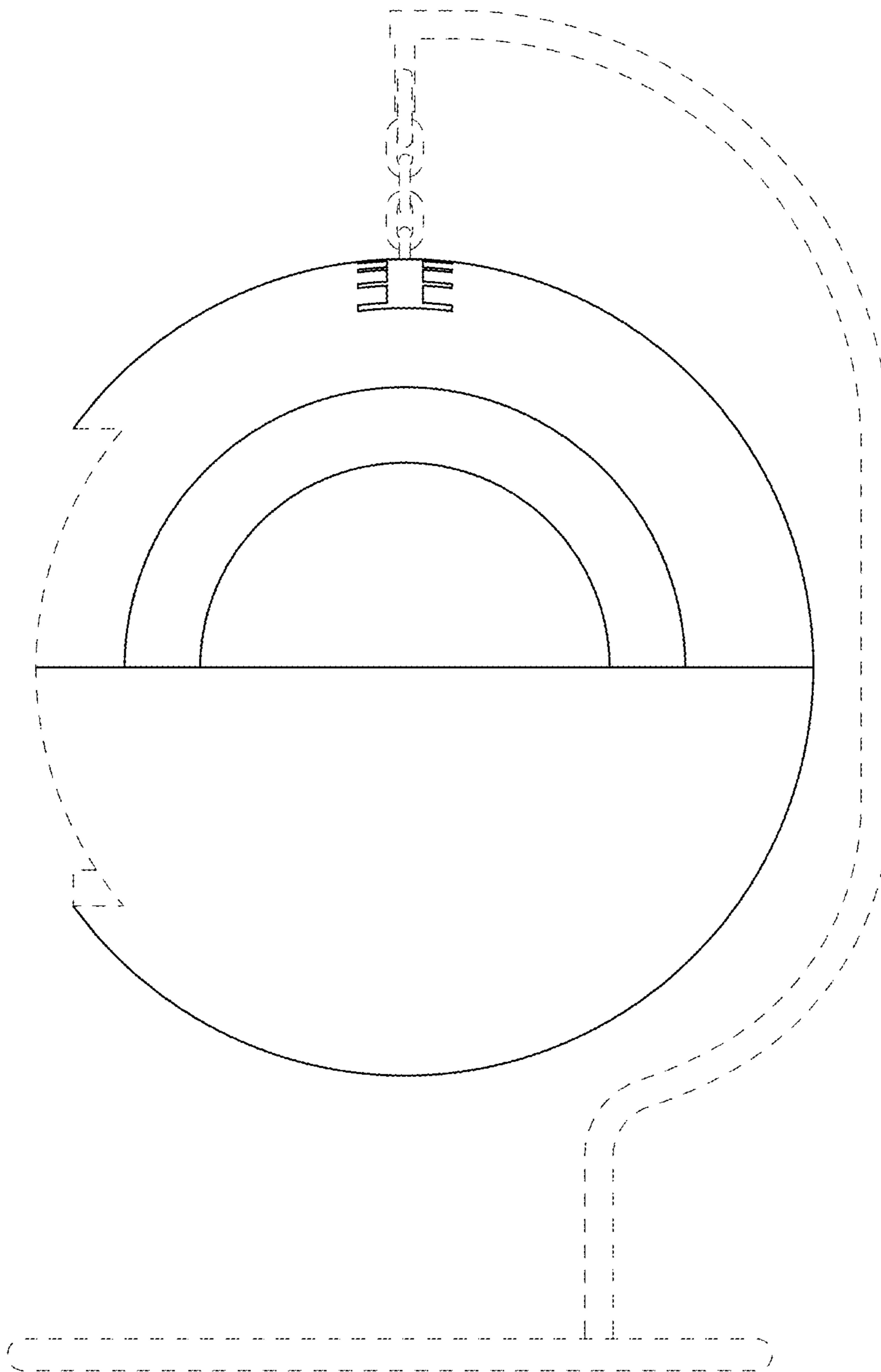


FIG. 5

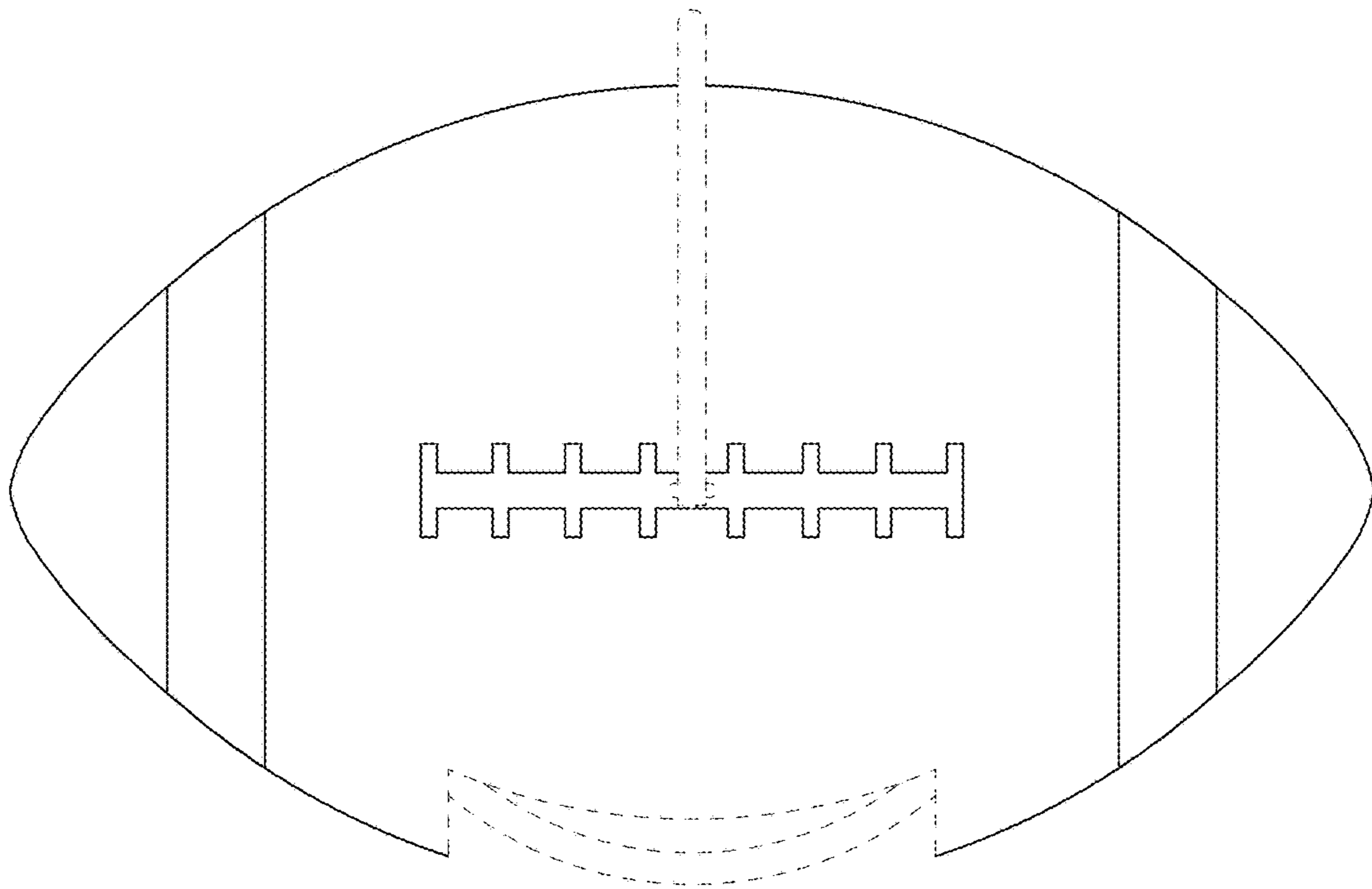


FIG. 6

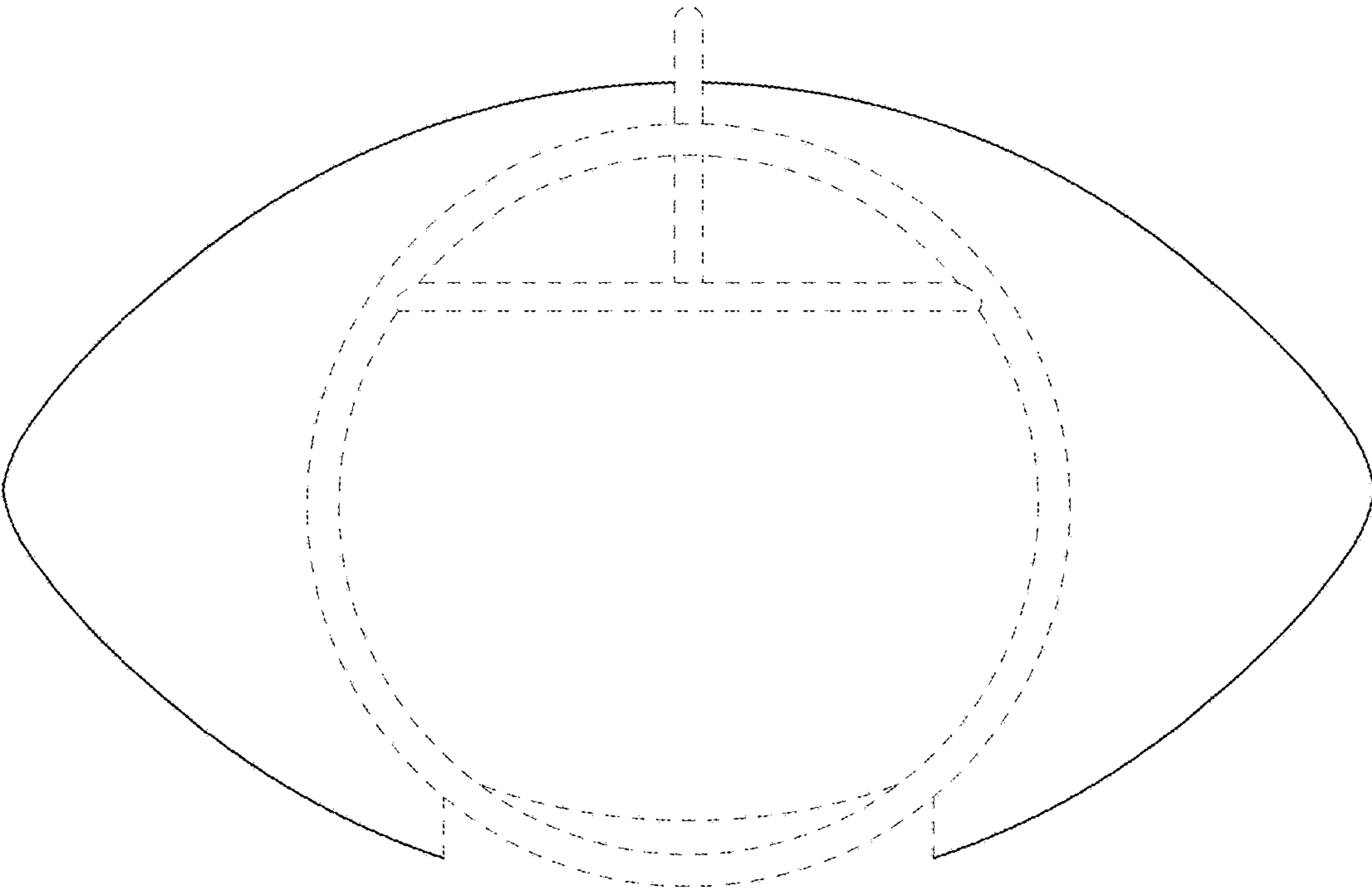


FIG. 7