

US00D820601S

(12) **United States Design Patent**
Sanghi

(10) **Patent No.:** **US D820,601 S**

(45) **Date of Patent:** **** Jun. 19, 2018**

(54) **PAINT BRUSH WITH INTERCHANGEABLE HEADS**

(71) Applicant: **Anurag Sanghi**, Delhi (IN)

(72) Inventor: **Anurag Sanghi**, Delhi (IN)

(**) Term: **15 Years**

(21) Appl. No.: **29/588,200**

(22) Filed: **Dec. 19, 2016**

(51) **LOC (11) Cl.** **04-02**

(52) **U.S. Cl.**
USPC **D4/135**

(58) **Field of Classification Search**
USPC D4/104, 105, 106, 107, 108, 109, 110,
D4/111, 112, 113, 121, 127, 132, 134,
D4/135, 138, 122, 123, 124, 125, 128,
D4/129, 130, 131, 133, 136, 137, 199,
D4/114, 115, 116, 117, 118, 119, 120;
132/313, 317, 320; 15/DIG. 15;
D14/411; D19/159, 173, 914, 916, 929;
D28/7, 56
CPC ... A46B 9/021; A46B 2200/1046; A46B 5/02;
A46B 5/0095; A46B 5/021; A46B
2200/205

See application file for complete search history.

(56) **References Cited**

U.S. PATENT DOCUMENTS

D190,312 S * 5/1961 Gahm D19/179
3,609,051 A * 9/1971 Braun B44D 3/00
15/159.1
D295,421 S * 4/1988 Young 401/209

D387,088 S * 12/1997 Tseng D19/173
D433,189 S * 10/2000 Schoon D28/56
D433,537 S * 11/2000 Schoon D28/56
D440,602 S * 4/2001 Ikeda D19/174
6,367,113 B1 * 4/2002 Usui A46B 5/02
15/143.1
7,140,061 B2 * 11/2006 Baker A46B 17/04
15/168
D595,770 S * 7/2009 Zhang D19/184
8,677,641 B2 * 3/2014 Panno, Jr. B44D 3/00
33/483
9,462,871 B2 * 10/2016 Machiorlette A45D 40/26
9,872,556 B2 * 1/2018 Levy A46B 5/0095
2017/0086573 A1 * 3/2017 Soloff A46B 9/12

* cited by examiner

Primary Examiner — Karen E Eldridge Powers
(74) *Attorney, Agent, or Firm* — Egbert Law Offices,
PLLC

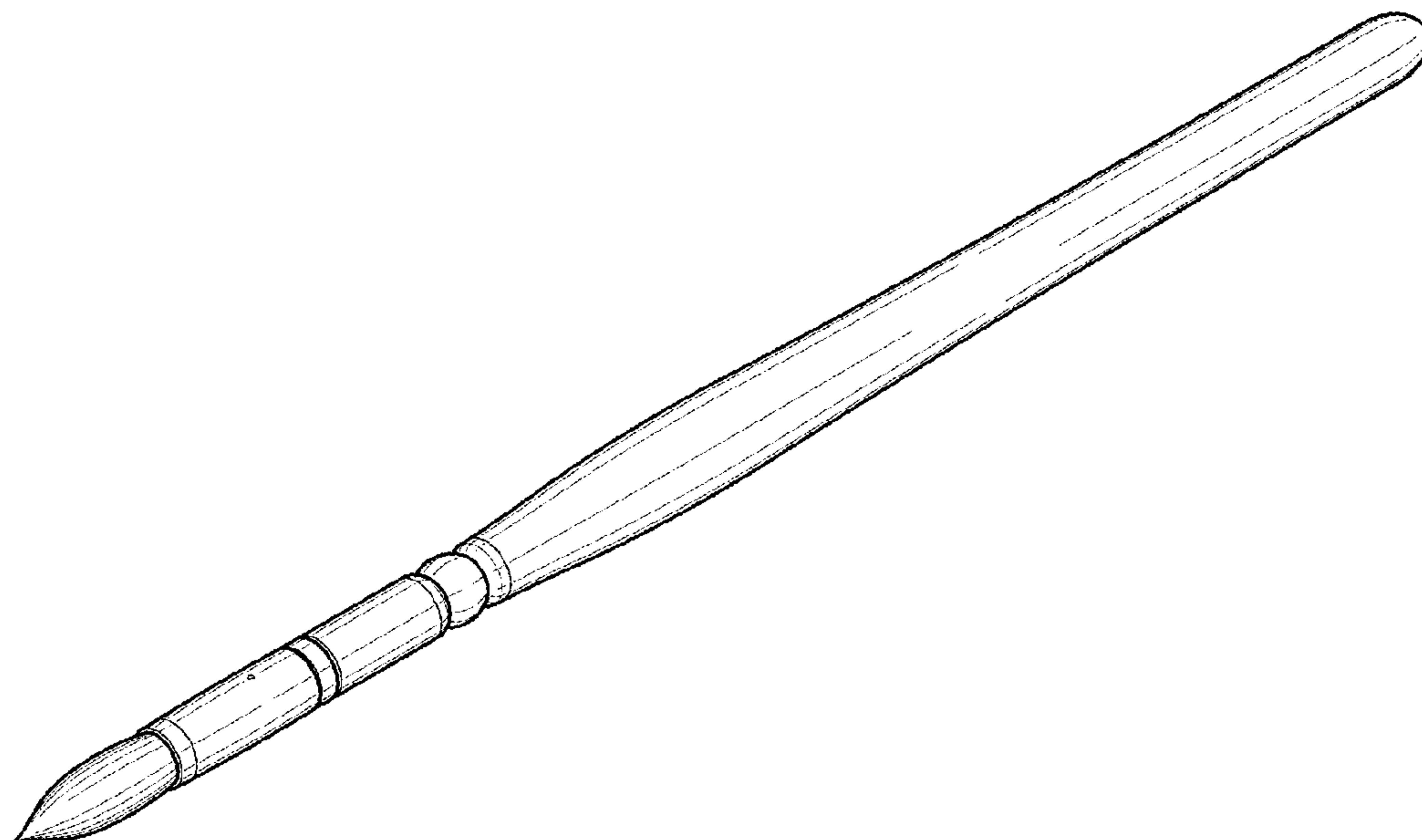
(57) **CLAIM**

The ornamental design for a paint brush with interchangeable heads, as shown and described.

DESCRIPTION

FIG. 1 is a perspective view of a paint brush with interchangeable heads showing my new design.
FIG. 2 is a top plan view thereof;
FIG. 3 is a bottom plan view thereof;
FIG. 4 is a front elevation view thereof;
FIG. 5 is a rear elevation view thereof;
FIG. 6 is a side elevation view thereof, an opposite side view being a mirror image thereof; and,
FIG. 7 is an exploded perspective view thereof.

1 Claim, 2 Drawing Sheets



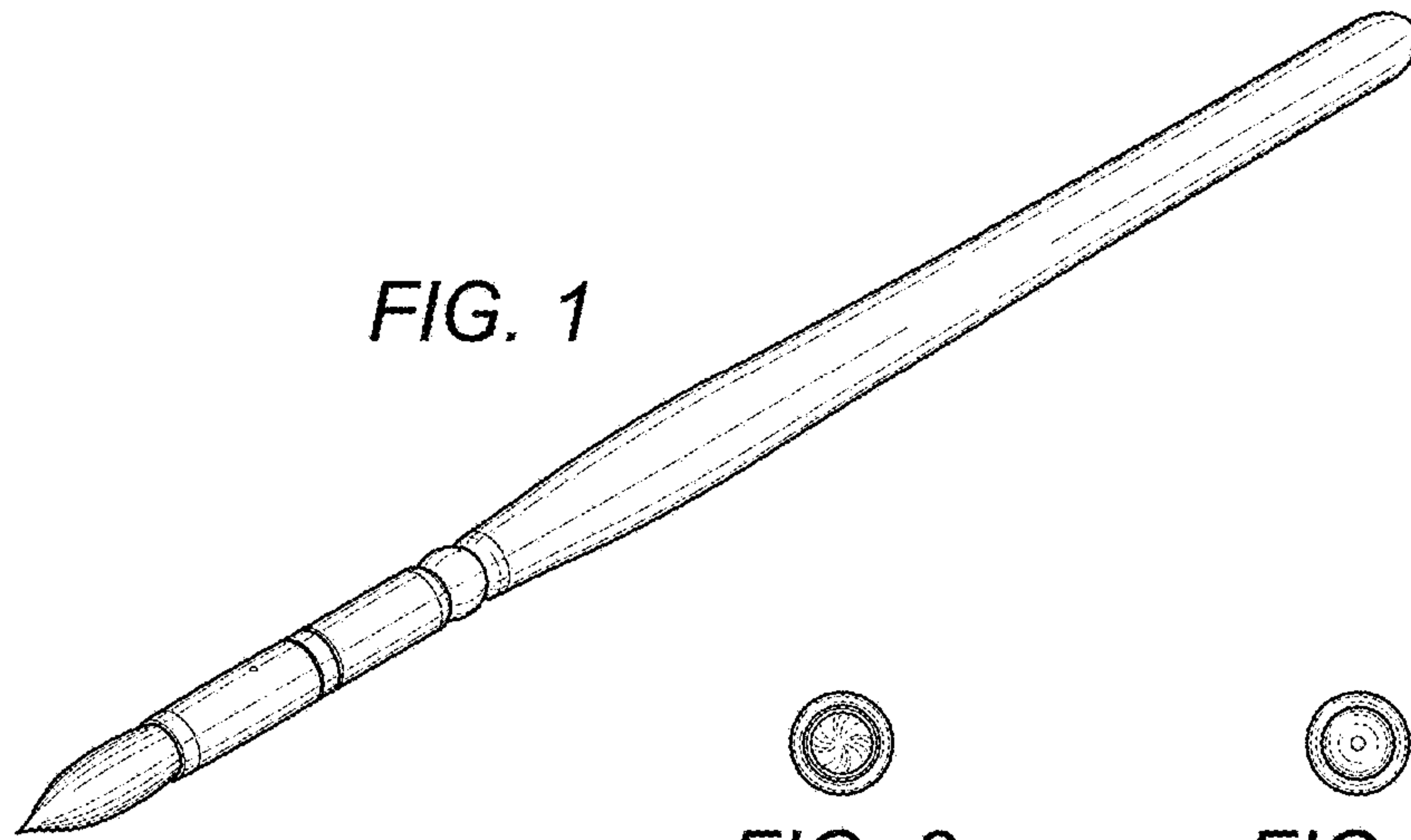


FIG. 1



FIG. 2

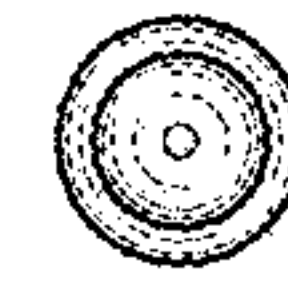


FIG. 3



FIG. 4

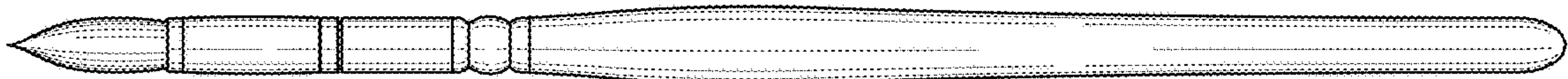


FIG. 5

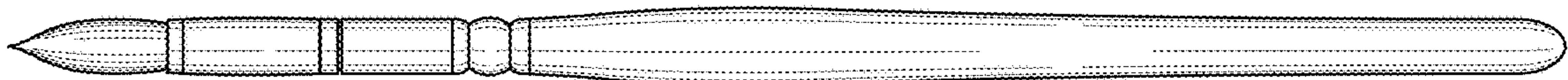


FIG. 6

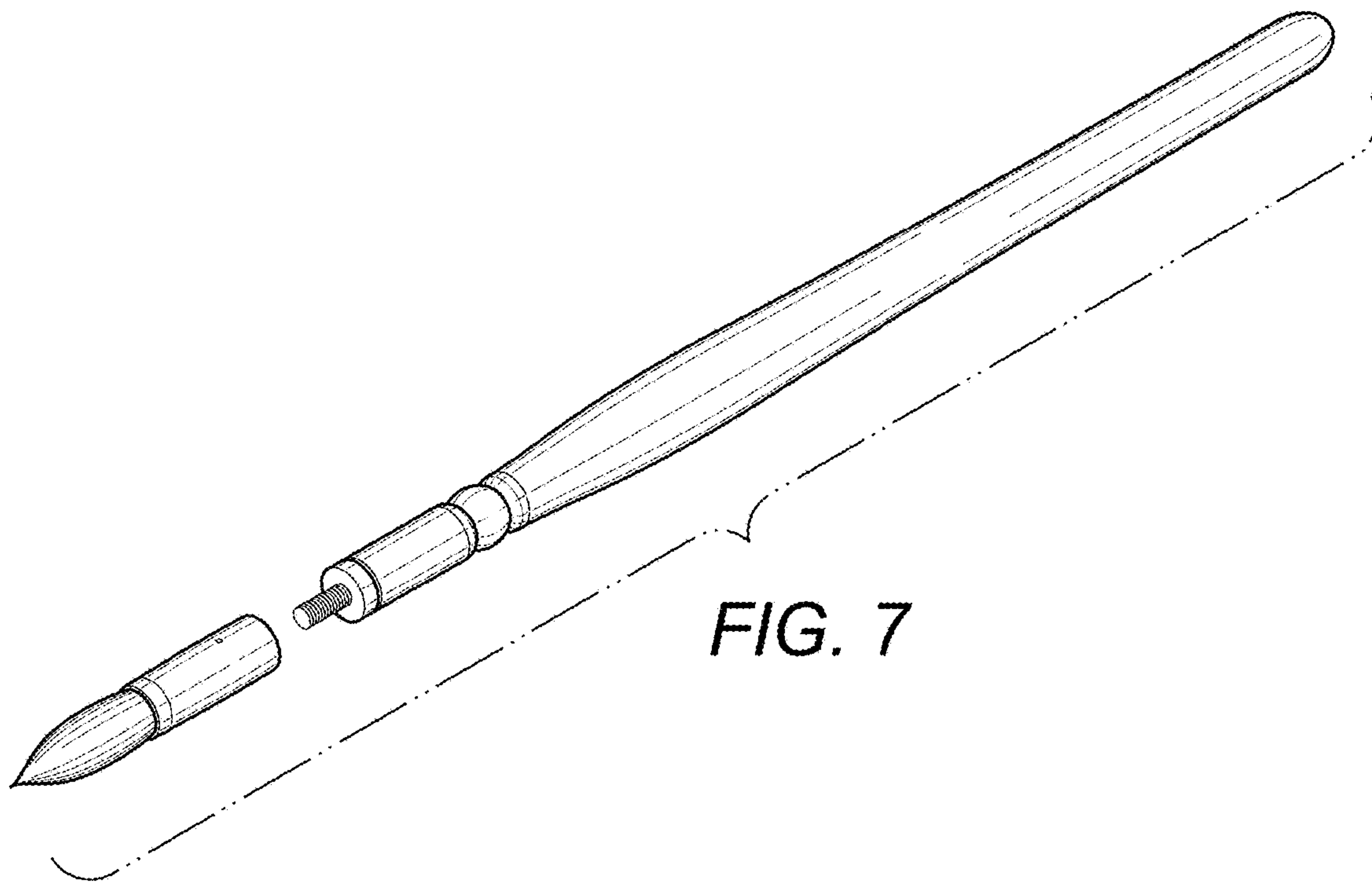


FIG. 7