



US00D820598S

(12) **United States Design Patent**
Ettore Tomasetta

(10) **Patent No.:** **US D820,598 S**
(45) **Date of Patent:** **** Jun. 19, 2018**

(54) **RING FOR HANDBAG**
(71) Applicant: **Chloe S.A.S.**, Paris (FR)
(72) Inventor: **Marco Ettore Tomasetta**, Paris (FR)
(73) Assignee: **CHLOE S.A.S.**, Paris (FR)
(**) Term: **15 Years**
(21) Appl. No.: **29/596,494**
(22) Filed: **Mar. 8, 2017**

D533,997 S 12/2006 Jacobs
D543,360 S 5/2007 Gonzalez
D564,225 S 3/2008 Morelli
D572,005 S 7/2008 Castiglioni
D579,197 S 10/2008 Forte
D587,451 S 3/2009 Guichot
D591,043 S 4/2009 Gonzalez
D594,653 S 6/2009 Ramsey
D624,750 S 10/2010 Della Valle et al.
D690,509 S 10/2013 Guichot
D703,430 S 4/2014 Della Valle et al.
D709,691 S 7/2014 Ford
D723,271 S 3/2015 Basha
D759,963 S 6/2016 Romano

(Continued)

(30) **Foreign Application Priority Data**

Sep. 28, 2016 (EM) 003398528

(51) **LOC (11) Cl.** **03-01**

(52) **U.S. Cl.**
USPC **D3/318**

(58) **Field of Classification Search**
USPC D3/232-233, 240-243, 245-246, 318
CPC .. A45C 1/024; A45C 3/06; A45C 5/03; A45C
2005/032; A45C 2005/035; A45C
2005/037; A45C 5/04; A45C 5/14; A45C
13/26; A45C 13/28
See application file for complete search history.

(56) **References Cited**

U.S. PATENT DOCUMENTS

D128,506 S 7/1941 Sloane et al.
D134,256 S 11/1942 Lewis
D170,958 S 12/1953 Aberman
D264,019 S 4/1982 Schimmel
D283,081 S 3/1986 Hansen
D370,341 S 6/1996 Azar et al.
D387,200 S 12/1997 Kuhn
D400,705 S 11/1998 Akutsu
D403,151 S 12/1998 Heredos-Formby
D487,190 S 3/2004 Galliano
D491,466 S 6/2004 Man
D519,737 S 5/2006 Gonzalez

Primary Examiner — Holly H Baynham

(74) *Attorney, Agent, or Firm* — Fross Zelnick Lehrman
& Zissu, P.C.; Charles T. J. Weigell, Esq.

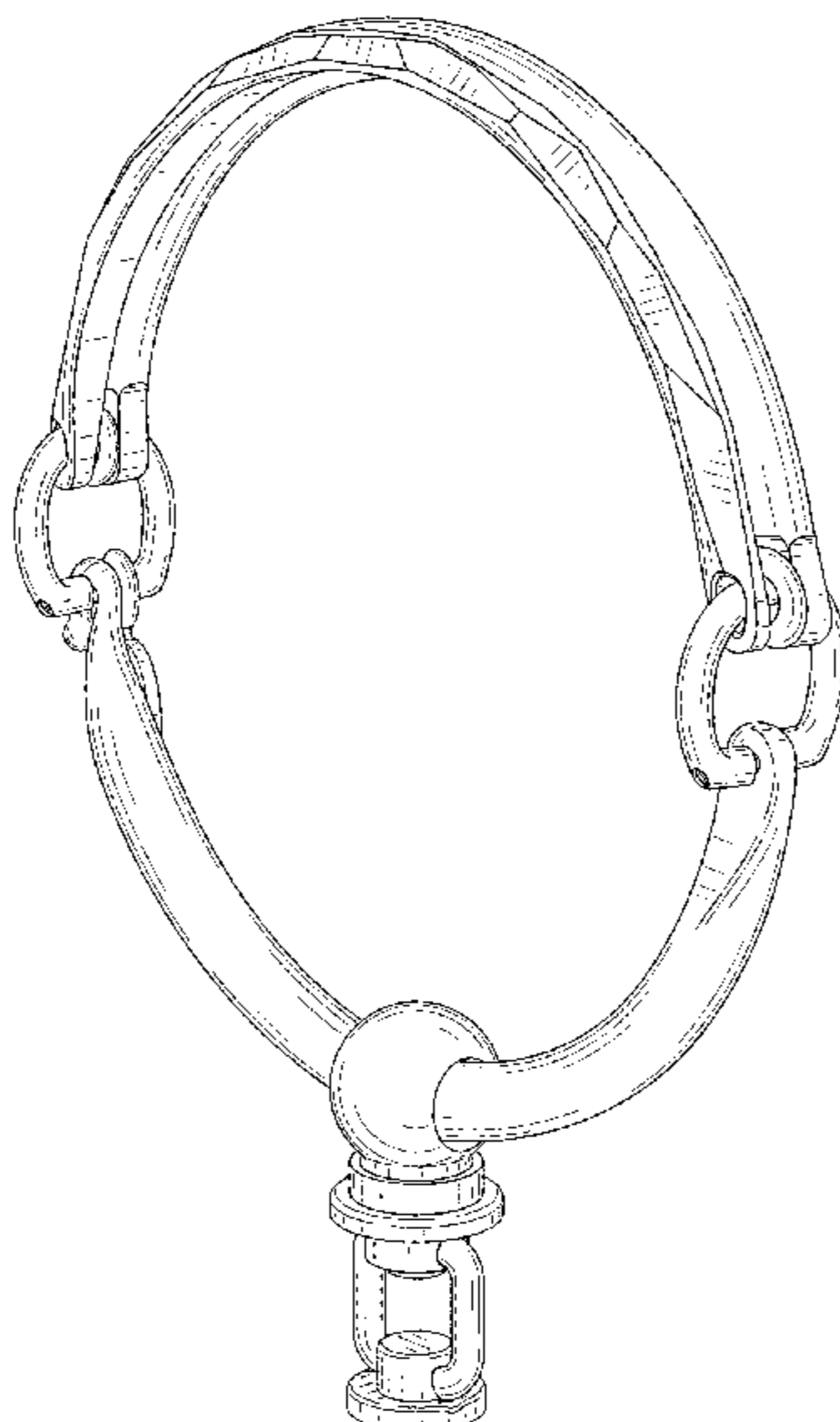
(57) **CLAIM**

The ornamental design for a ring for handbag, as shown and described.

DESCRIPTION

FIG. 1 is a front perspective view of a ring for handbag showing my new design, in a closed position;
FIG. 2 is a front view thereof;
FIG. 3 is a back view thereof;
FIG. 4 is a left side view thereof;
FIG. 5 is a right side view thereof;
FIG. 6 is a top view thereof;
FIG. 7 is a bottom view thereof;
FIG. 8 is a front perspective view of the ring for handbag shown in FIG. 1, in an open position;
FIG. 9 is a front view thereof;
FIG. 10 is a back view thereof;
FIG. 11 is a left side view thereof;
FIG. 12 is a right side view thereof;
FIG. 13 is a top view thereof; and,
FIG. 14 is a bottom view thereof.

1 Claim, 10 Drawing Sheets



(56)

References Cited

U.S. PATENT DOCUMENTS

D782,823 S 4/2017 Salvador
D784,010 S 4/2017 Dumas

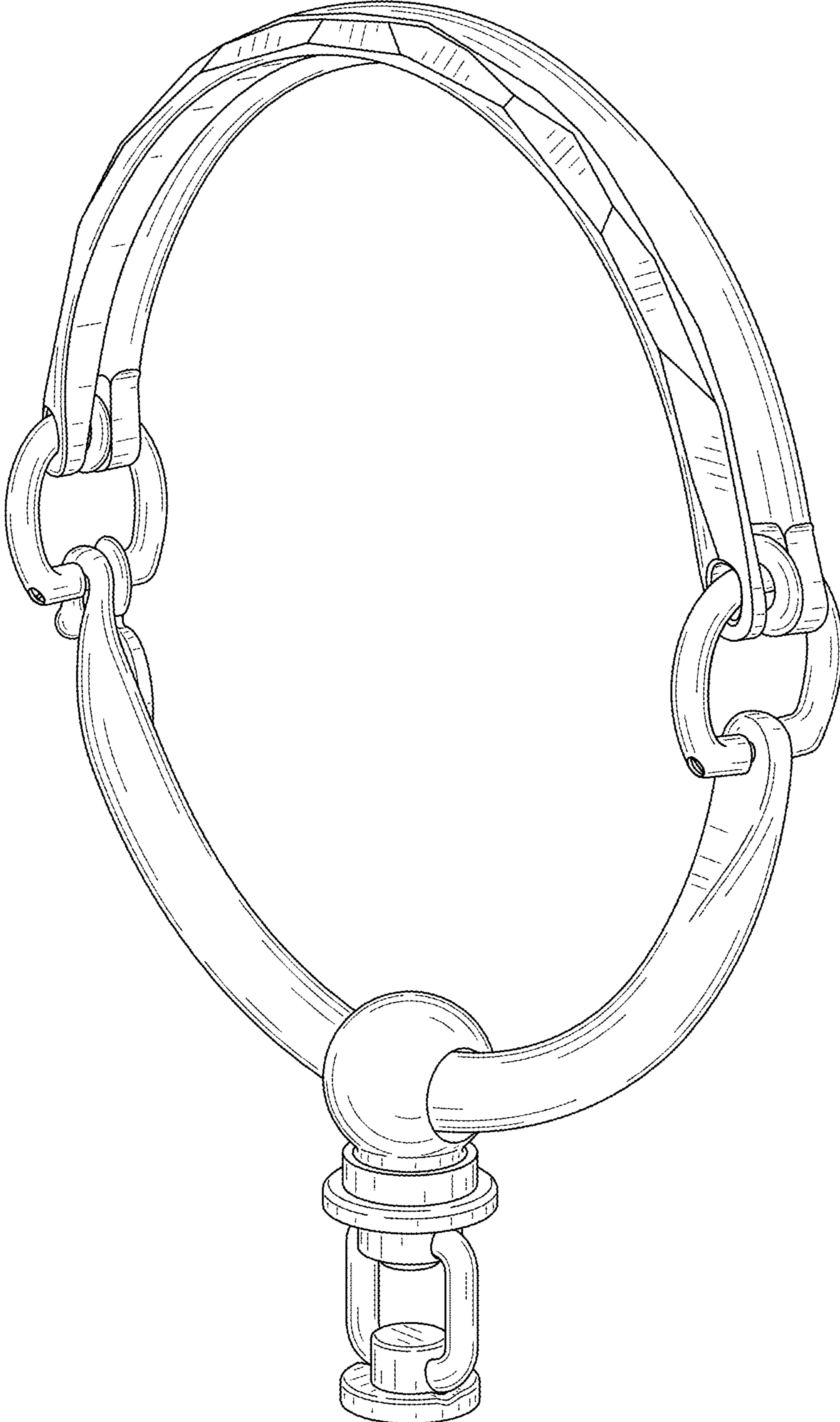


FIG. 1

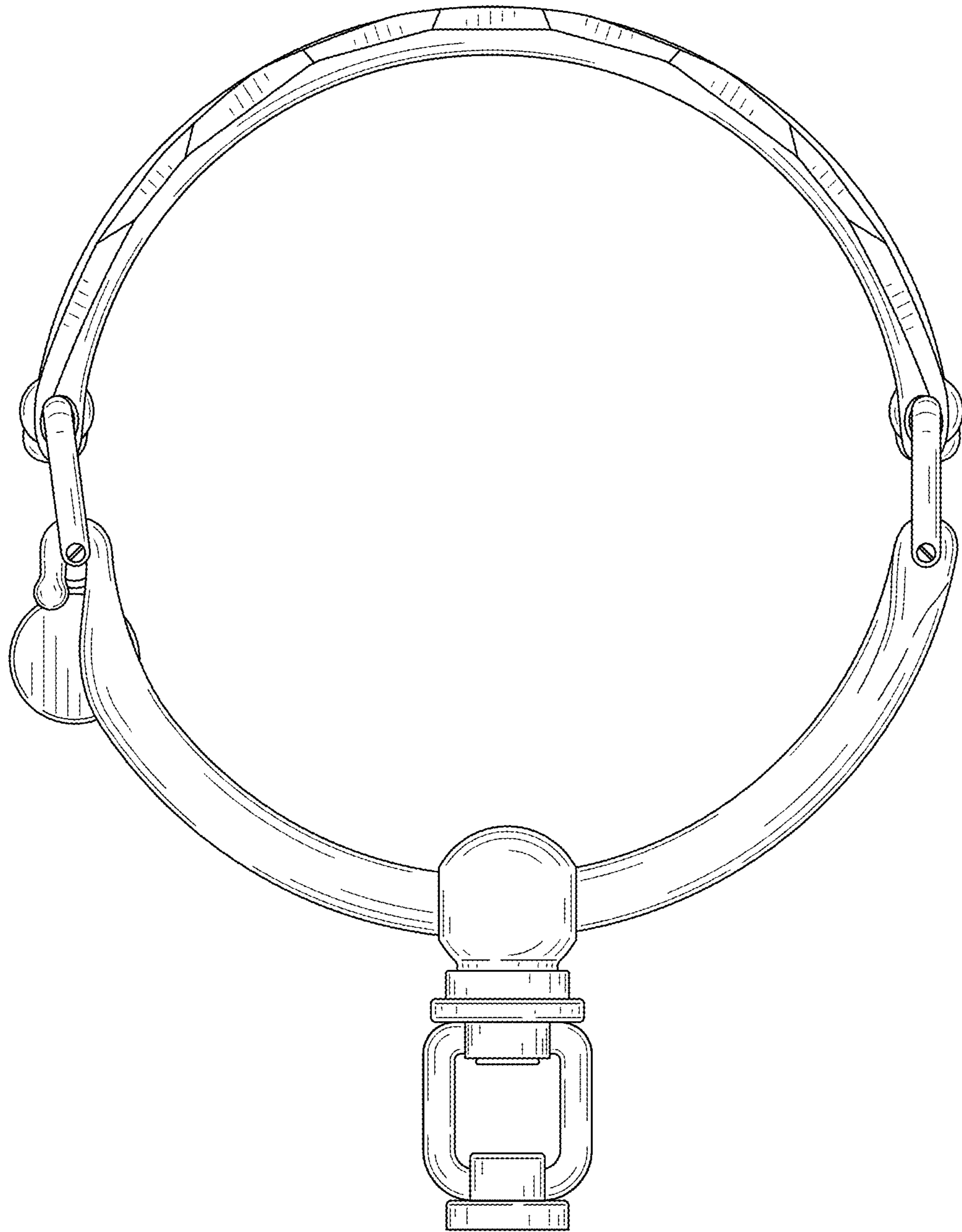


FIG. 2

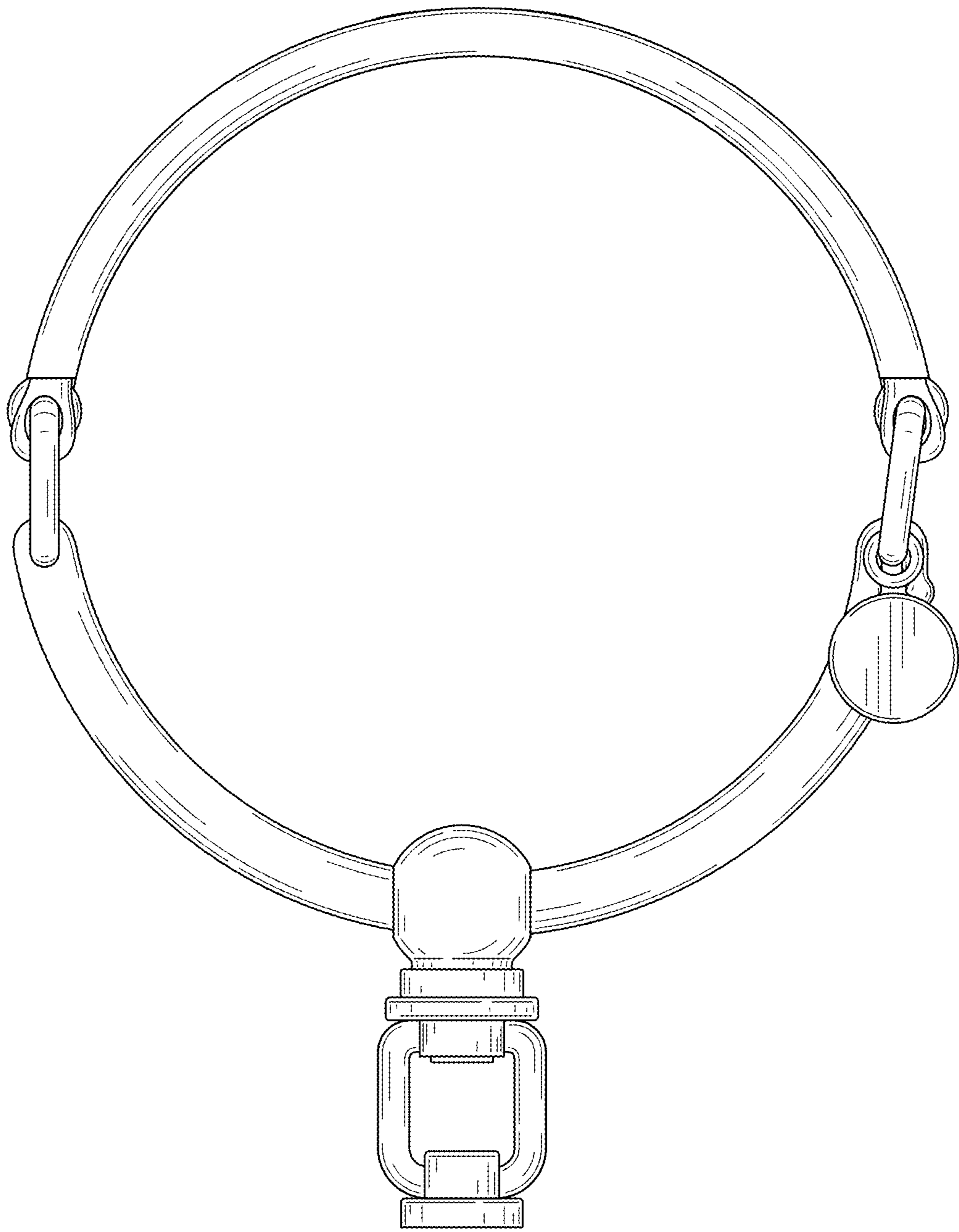


FIG. 3

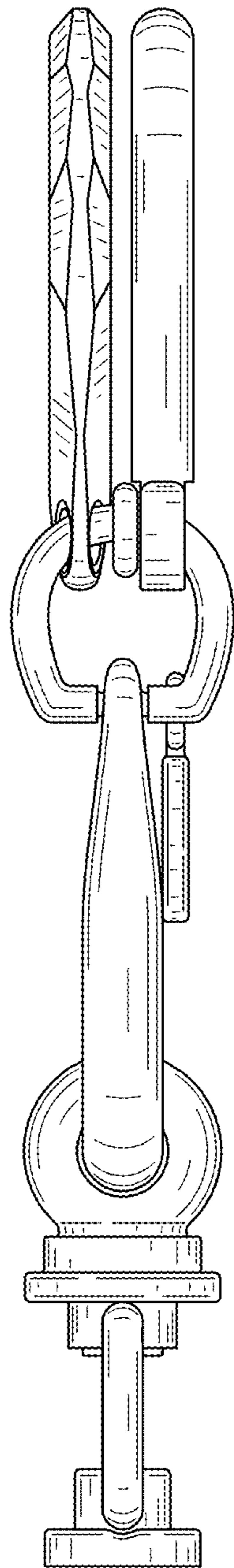


FIG. 4

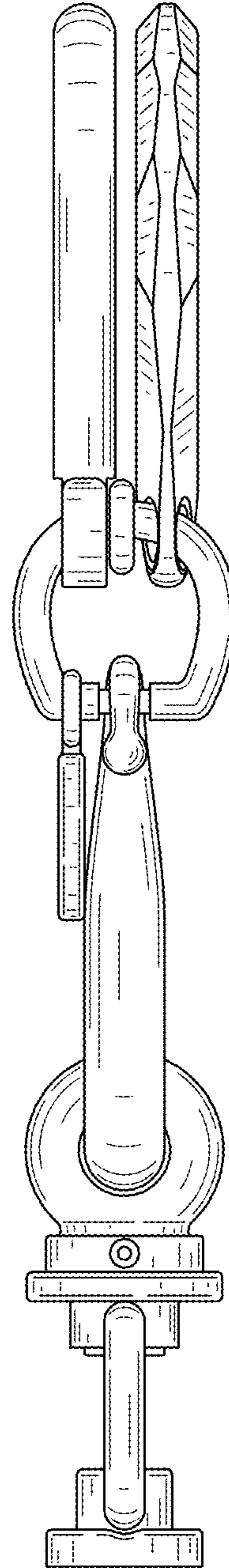


FIG. 5

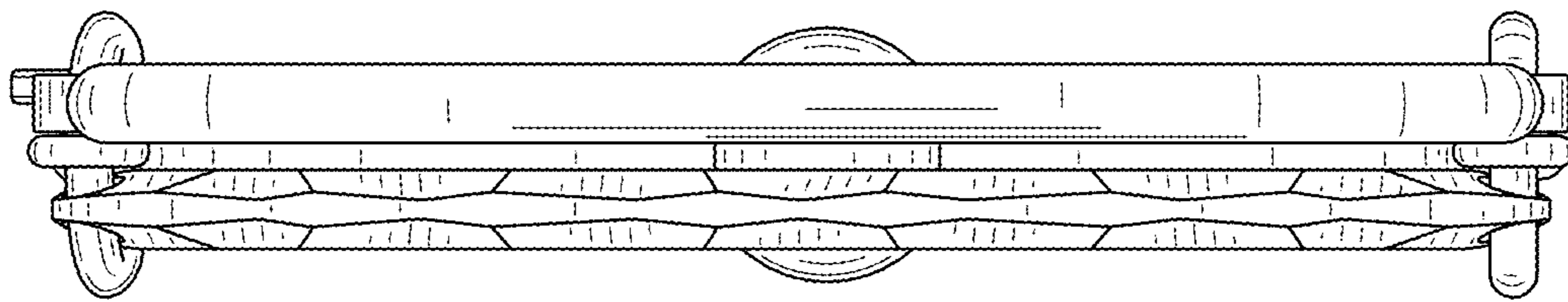


FIG. 6

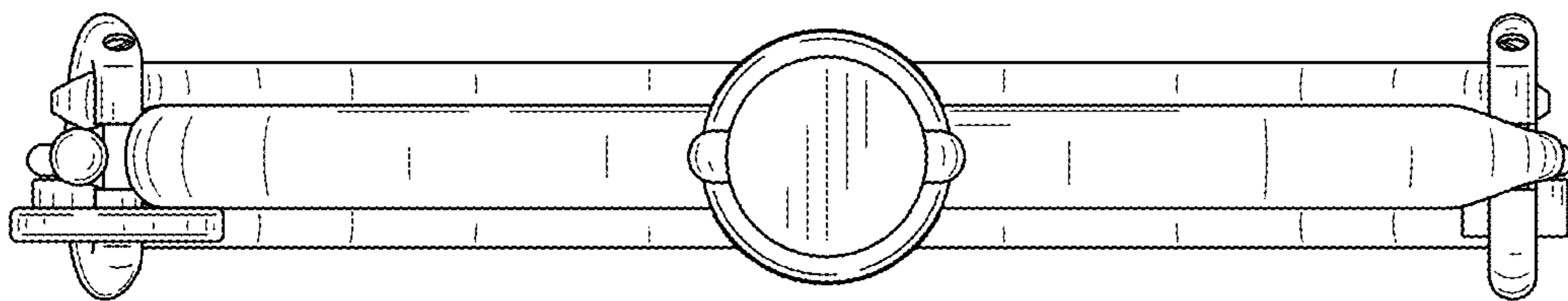


FIG. 7

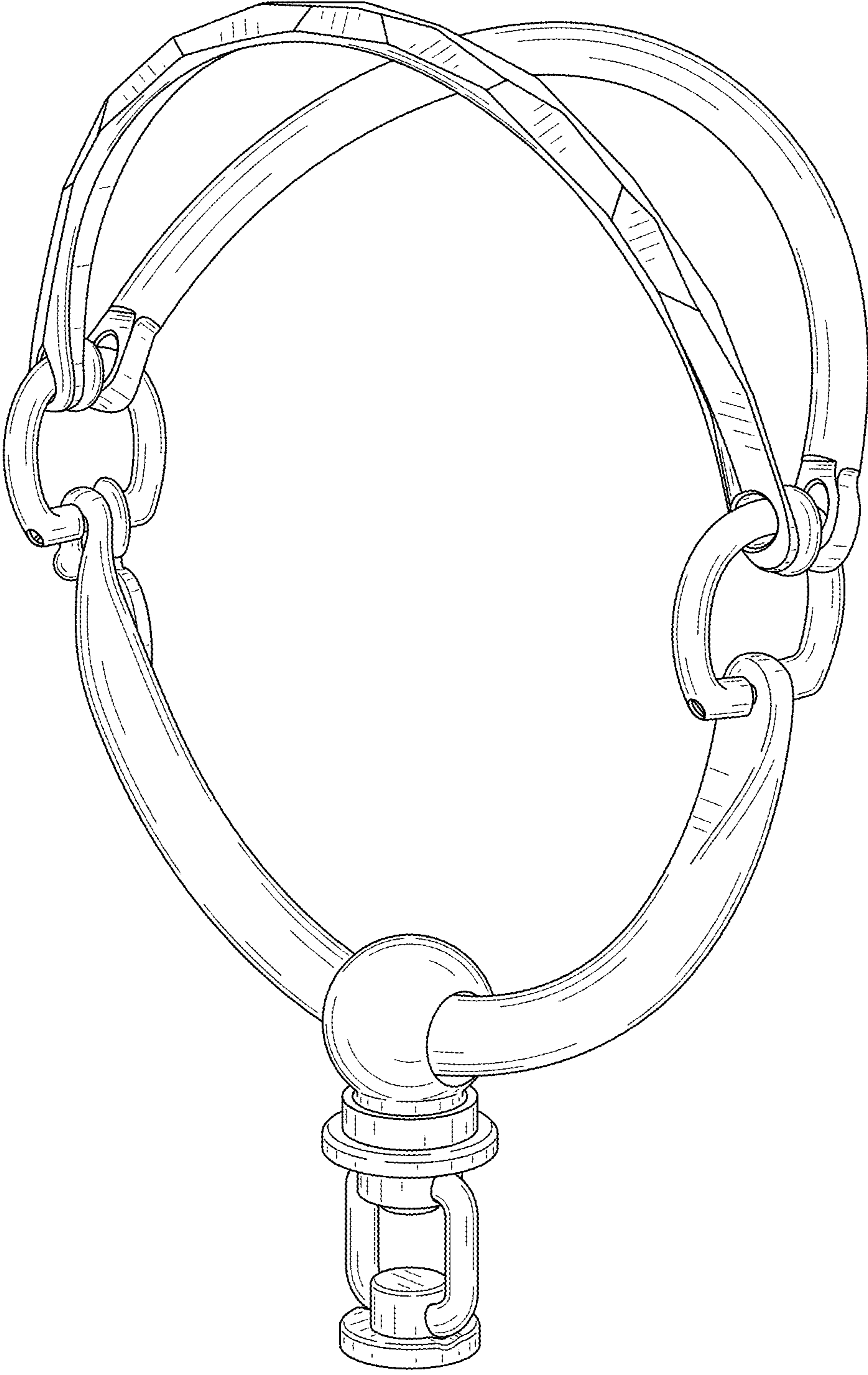


FIG. 8

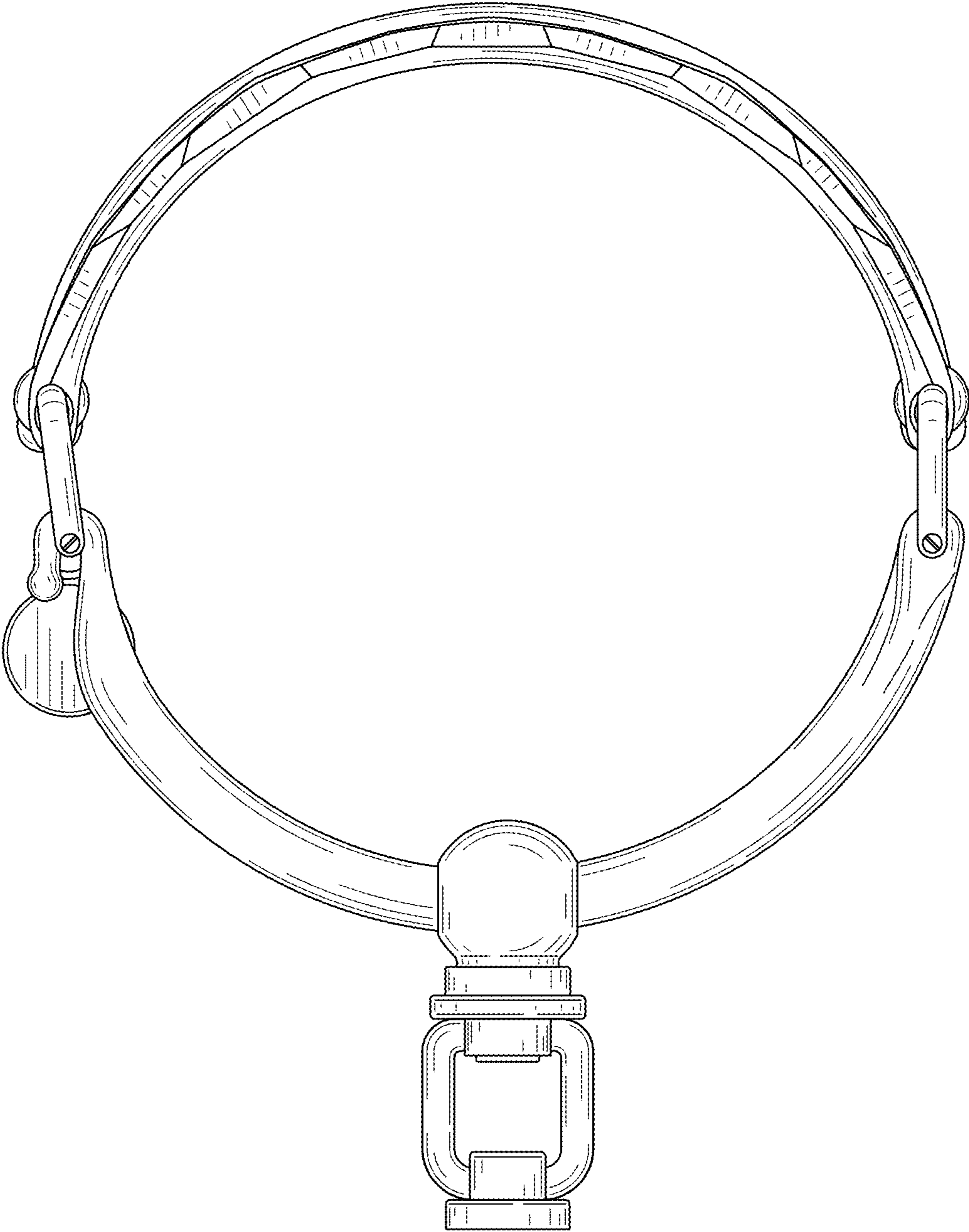


FIG. 9

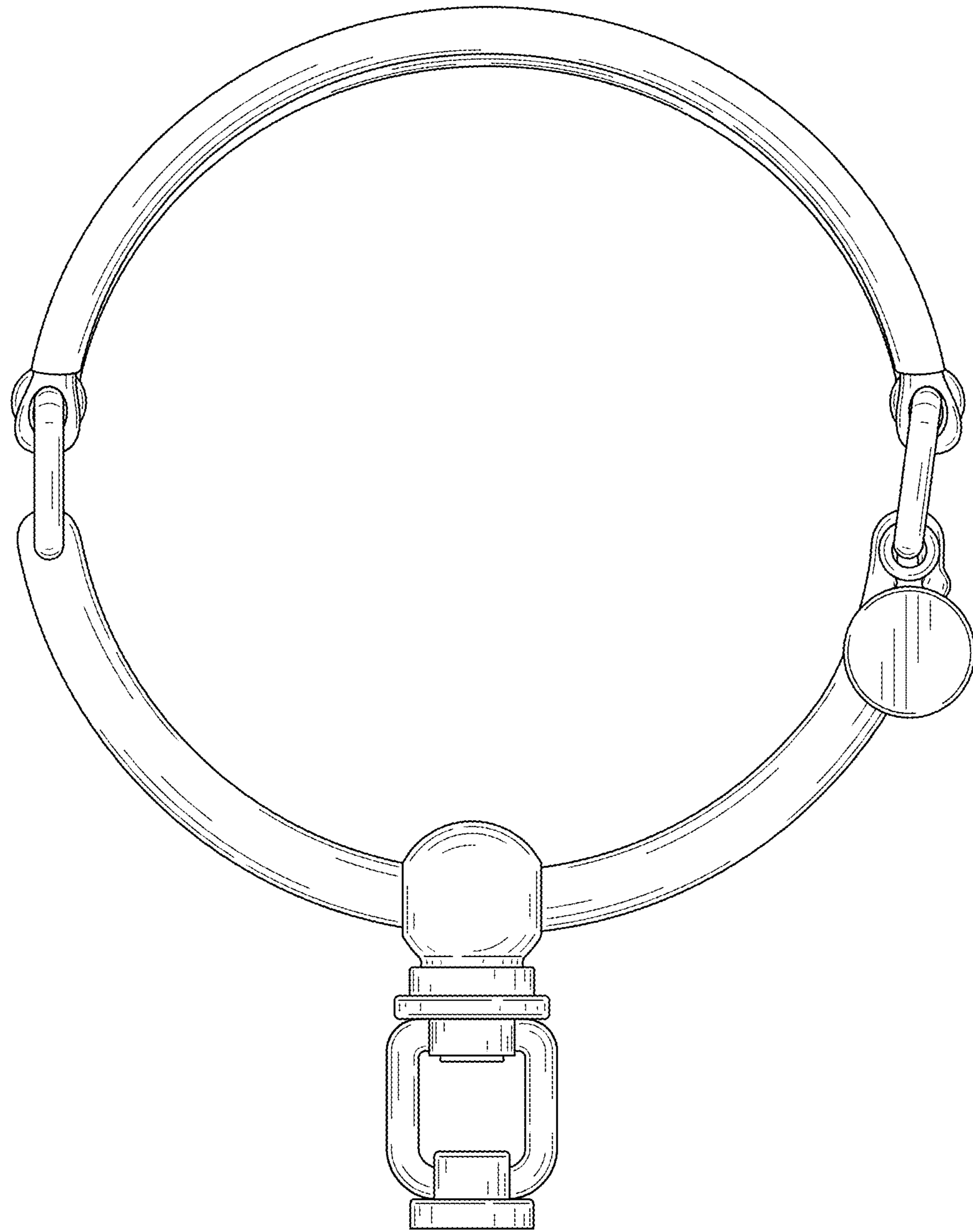


FIG. 10

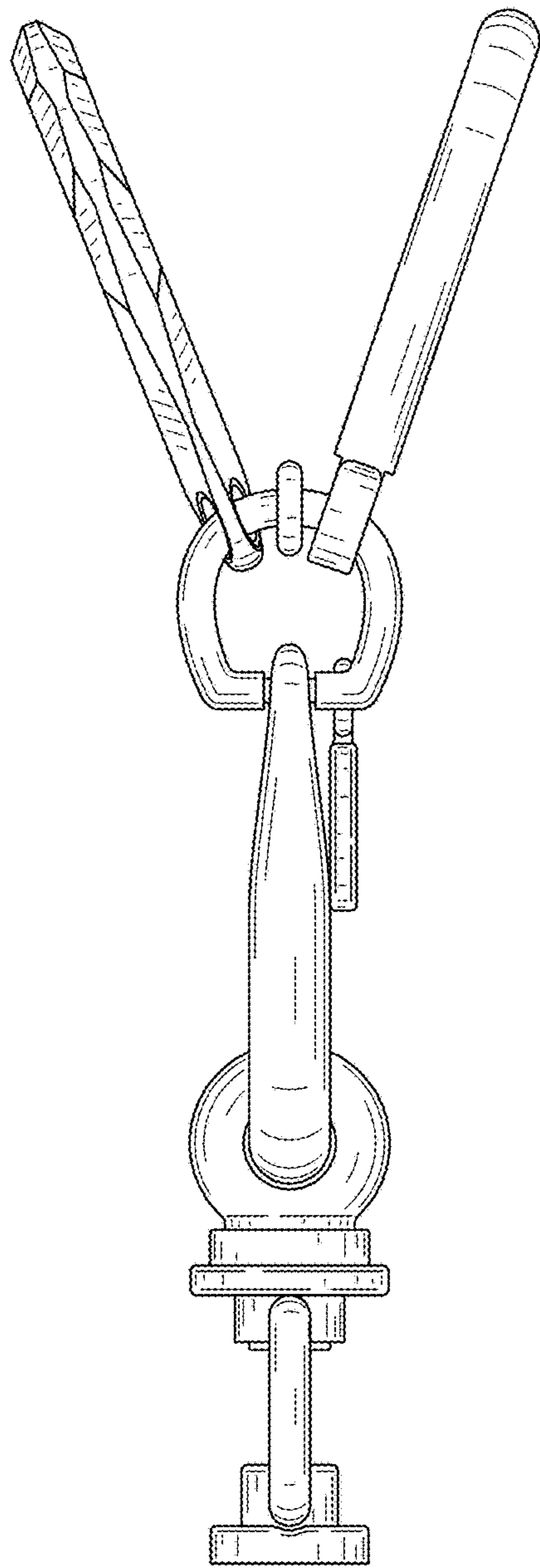


FIG. 11

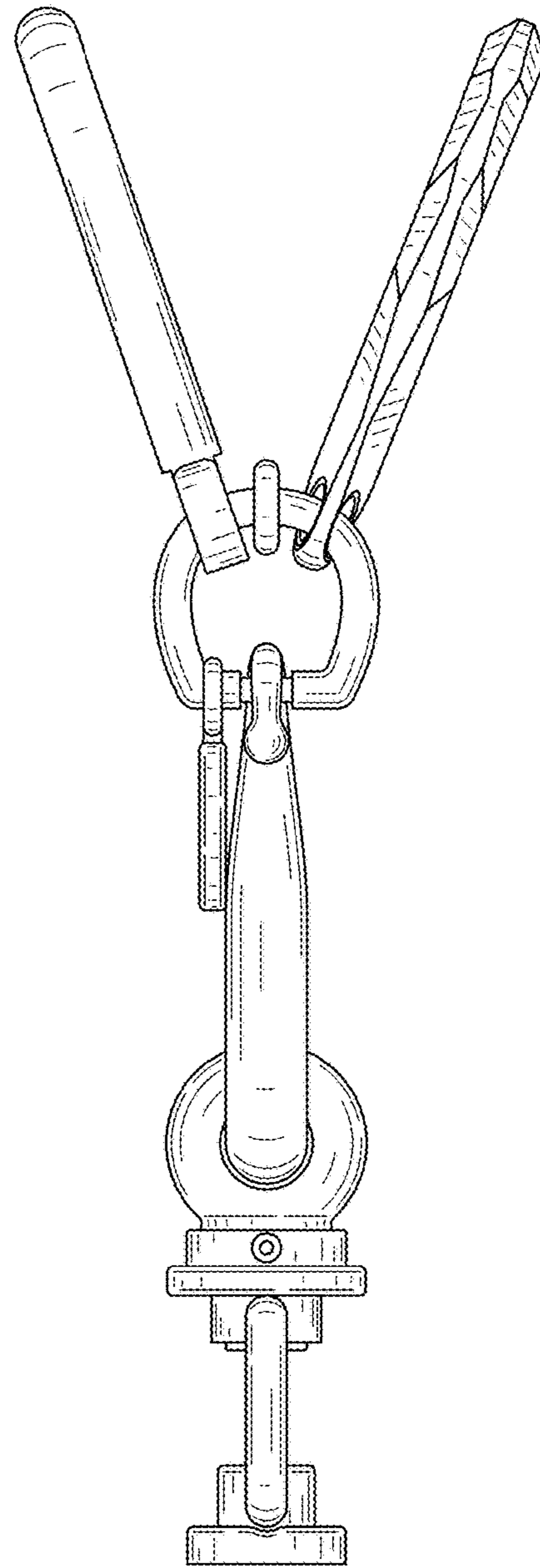


FIG. 12

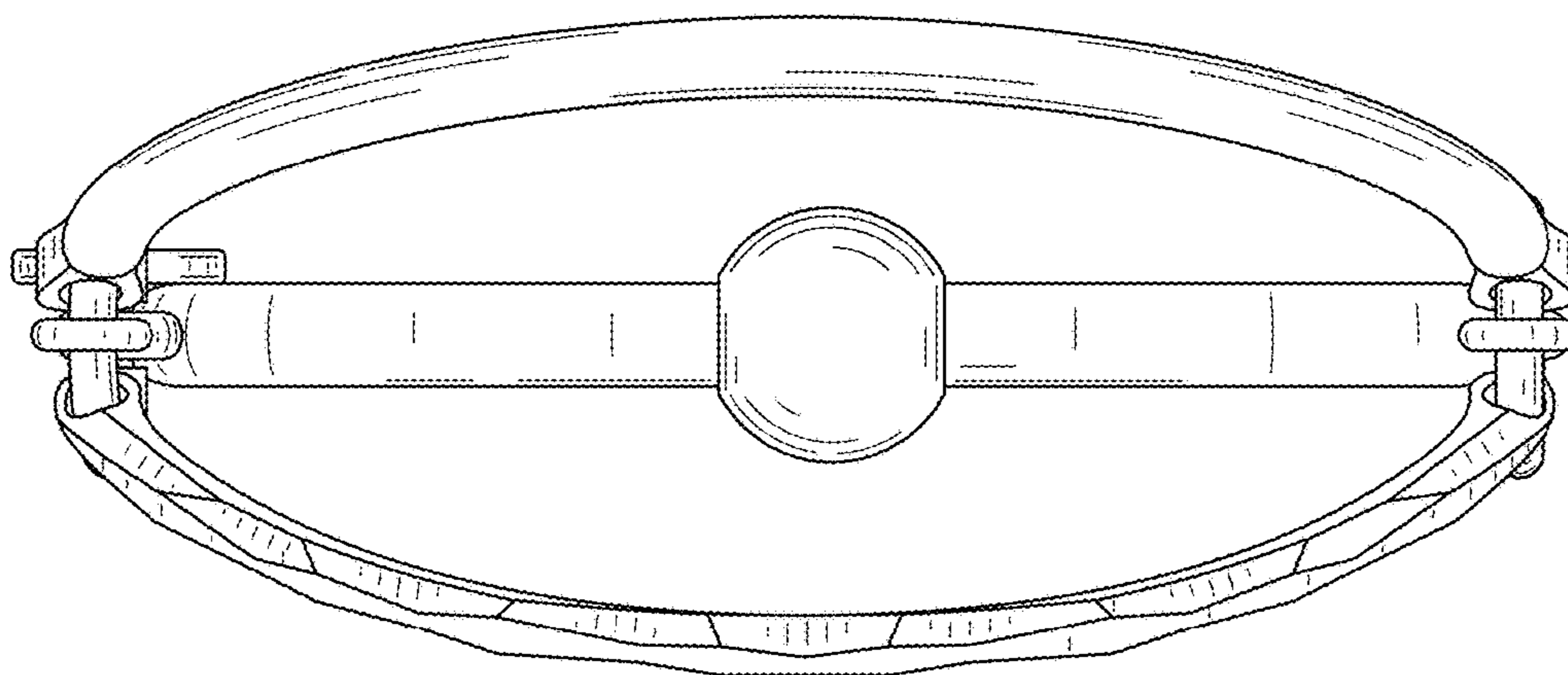


FIG. 13

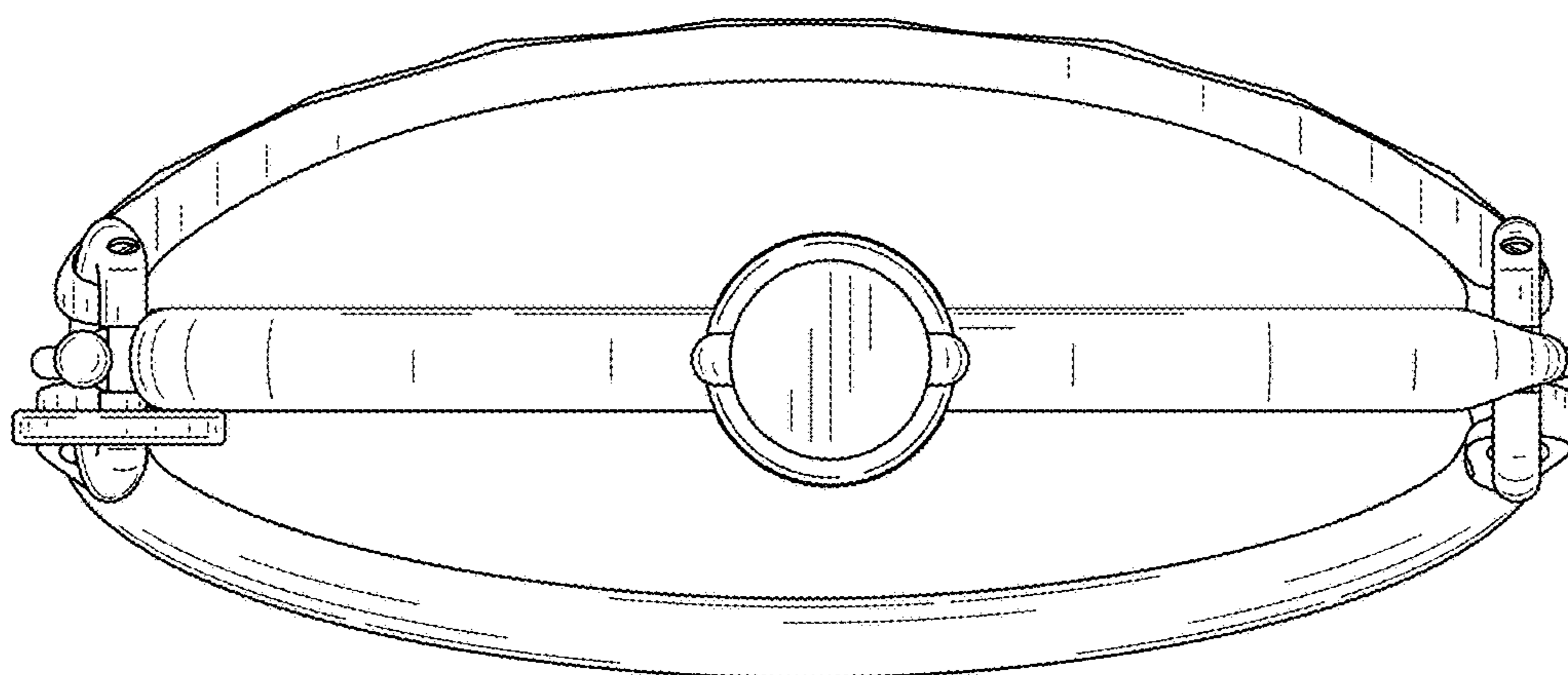


FIG. 14