



US00D820597S

(12) **United States Design Patent**  
**Chen**

(10) **Patent No.:** **US D820,597 S**

(45) **Date of Patent:** **\*\* Jun. 19, 2018**

(54) **PULL ROD HANDLE FOR LUGGAGE**

(71) Applicant: **Solite International Co., Ltd.**,  
Changhua, Changhua County (TW)

(72) Inventor: **Yu-Chi Chen**, Changhua (TW)

(73) Assignee: **Solite International Co., Ltd.**,  
Changhua (TW)

(\*\*) Term: **15 Years**

(21) Appl. No.: **29/595,623**

(22) Filed: **Mar. 1, 2017**

(51) **LOC (11) Cl.** ..... **03-01**

(52) **U.S. Cl.**  
USPC ..... **D3/318**

(58) **Field of Classification Search**  
USPC ..... D3/318  
CPC ..... A45F 5/10; A45F 5/14  
See application file for complete search history.

(56) **References Cited**

**U.S. PATENT DOCUMENTS**

D528,302 S \* 9/2006 Moon ..... D3/318  
D583,564 S \* 12/2008 Wu ..... D3/318

D637,398 S \* 5/2011 Jiang ..... D3/318  
D651,803 S \* 1/2012 Wu ..... D3/318  
D663,526 S \* 7/2012 Wu ..... A45C 13/262  
D3/318  
D677,896 S \* 3/2013 Wu ..... D3/318  
D730,057 S \* 5/2015 Tong ..... D3/318

\* cited by examiner

*Primary Examiner* — Holly H Baynham

(74) *Attorney, Agent, or Firm* — Alan D. Kamrath;  
Kamrath IP Lawfirm, P.A.

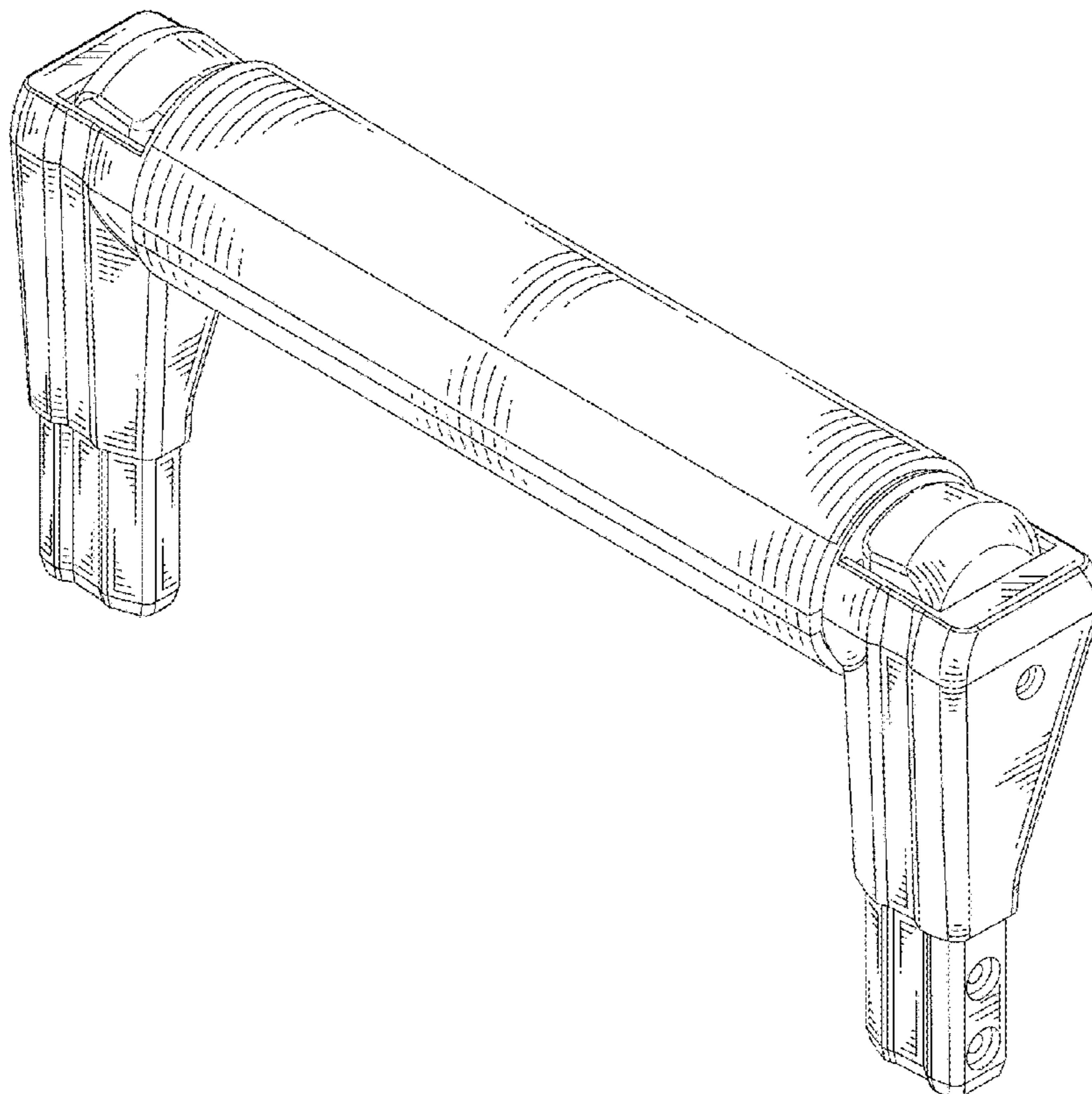
(57) **CLAIM**

The ornamental design for pull rod handle for luggage, as shown and described.

**DESCRIPTION**

FIG. 1 is a perspective view of a pull rod handle for luggage showing my new design;  
FIG. 2 is a front view thereof;  
FIG. 3 is a rear view thereof;  
FIG. 4 is a left view thereof;  
FIG. 5 is a right view thereof;  
FIG. 6 is a top view thereof; and,  
FIG. 7 is a bottom view thereof.

**1 Claim, 5 Drawing Sheets**



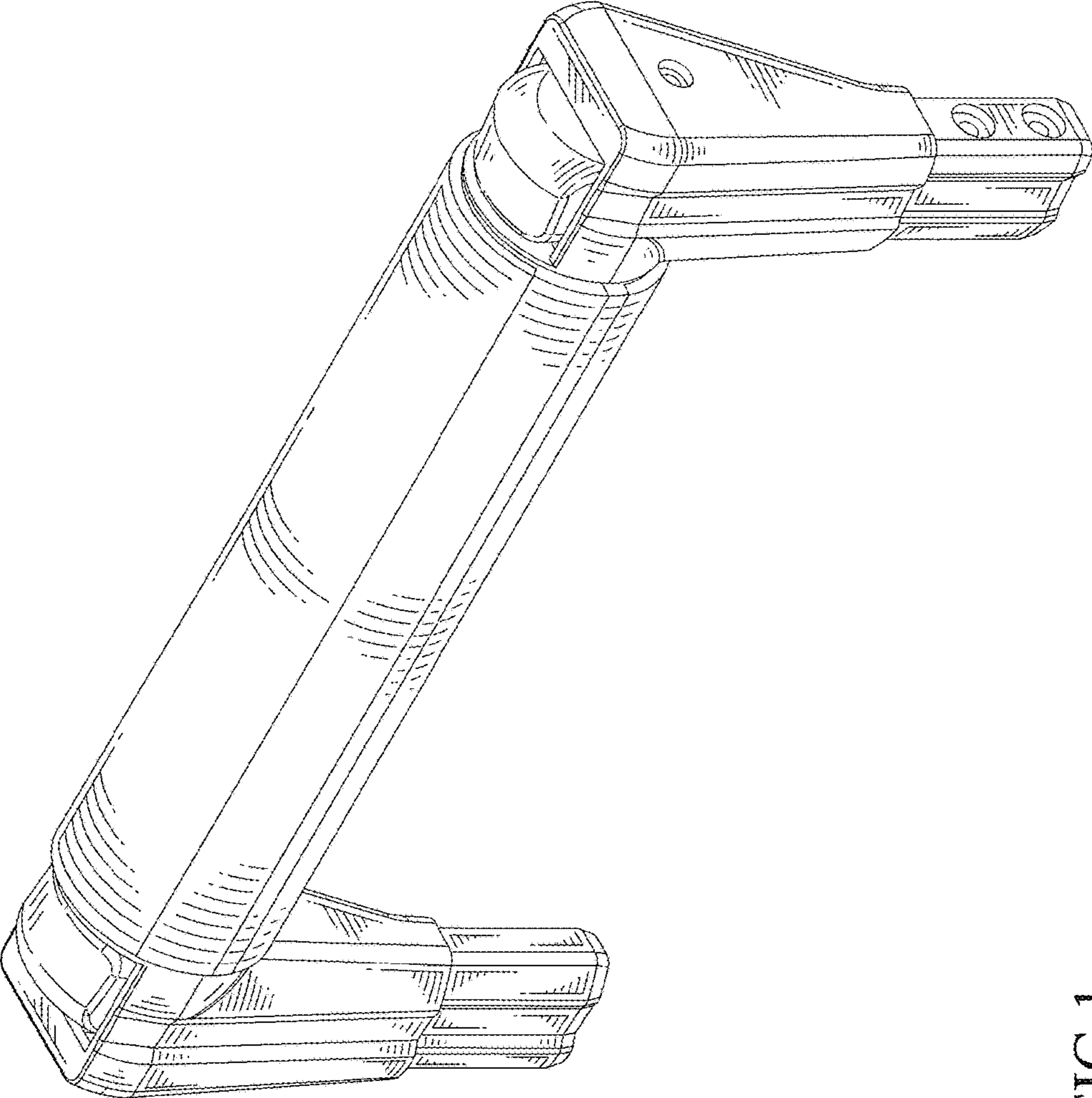


FIG.1

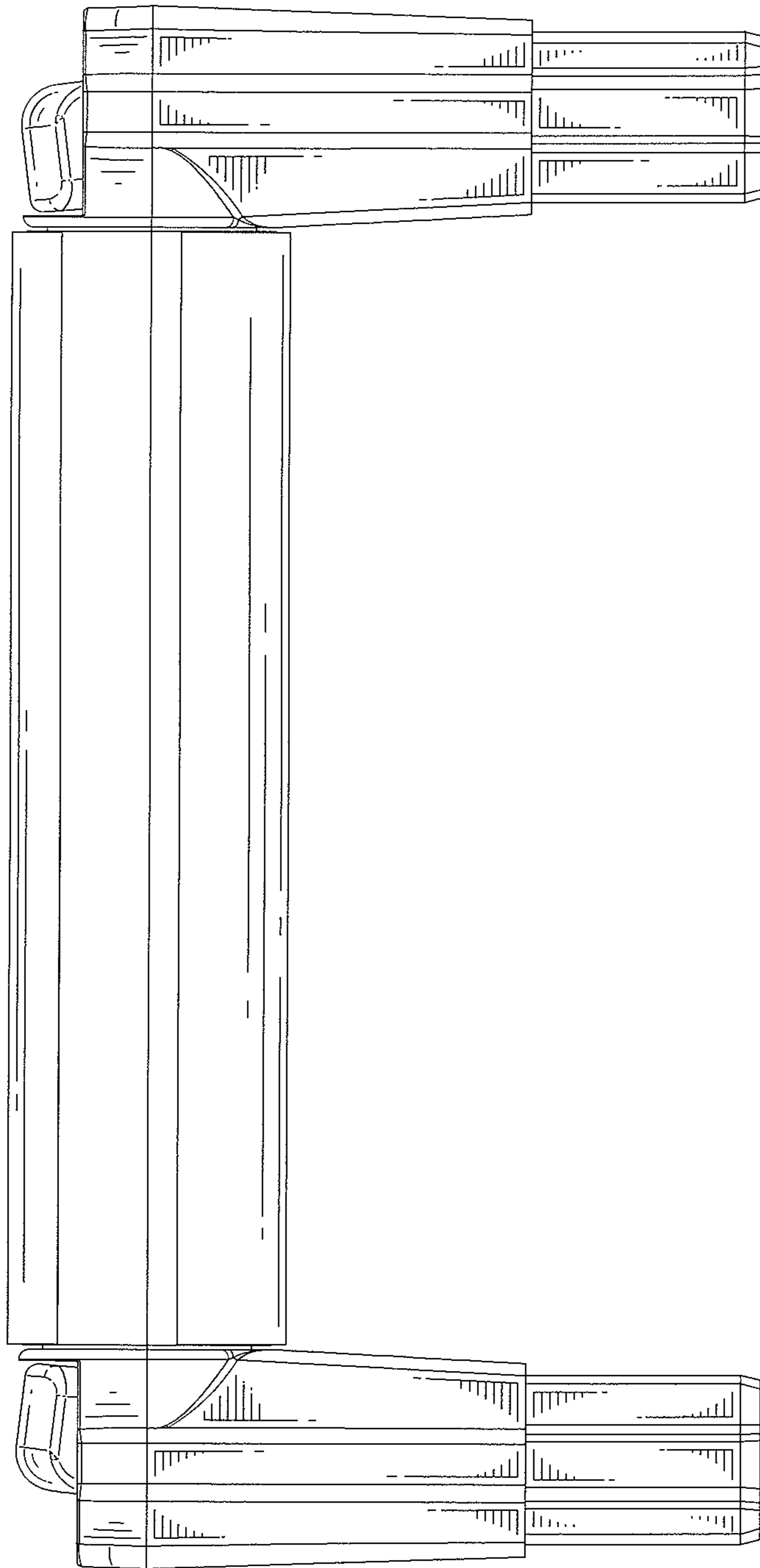


FIG.2

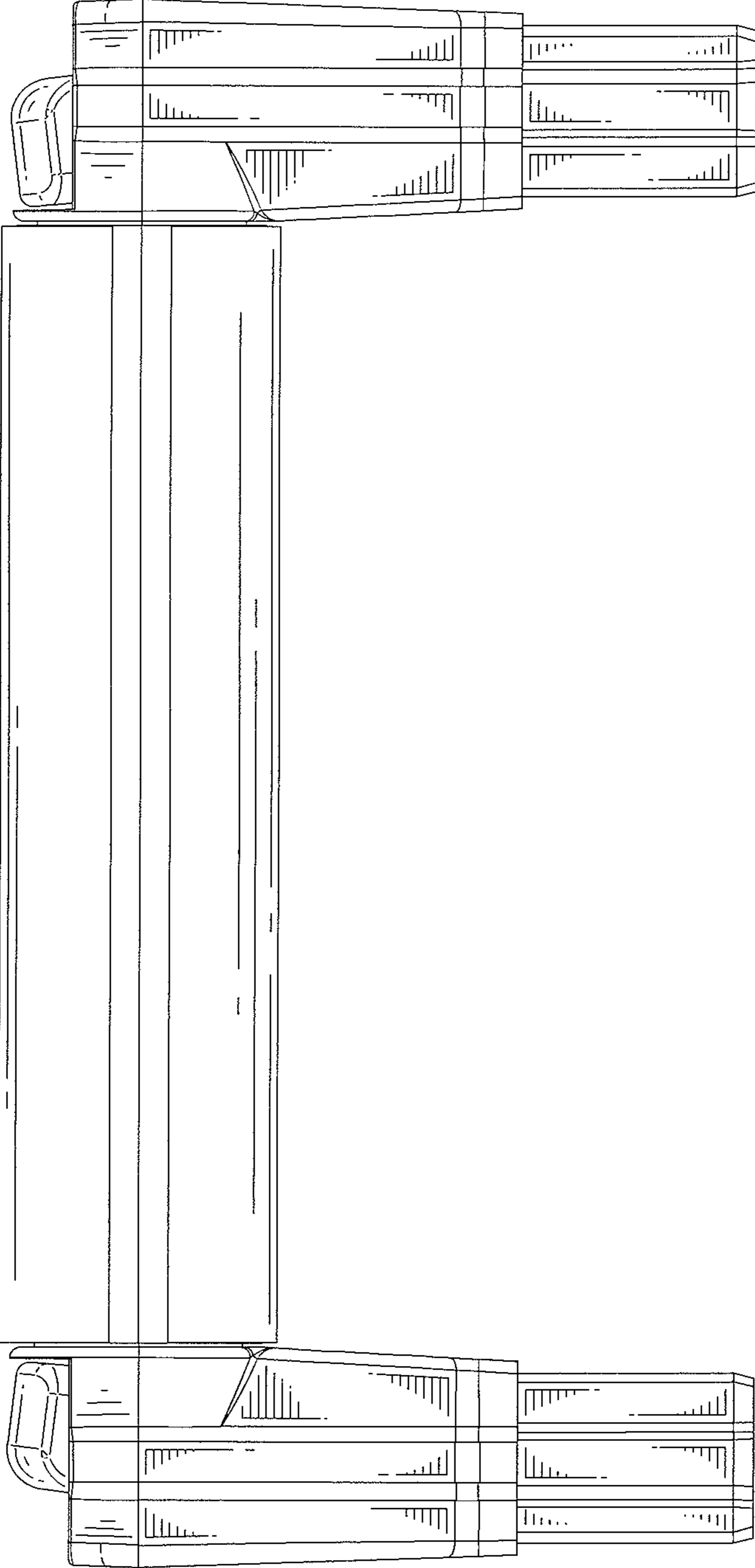


FIG. 3

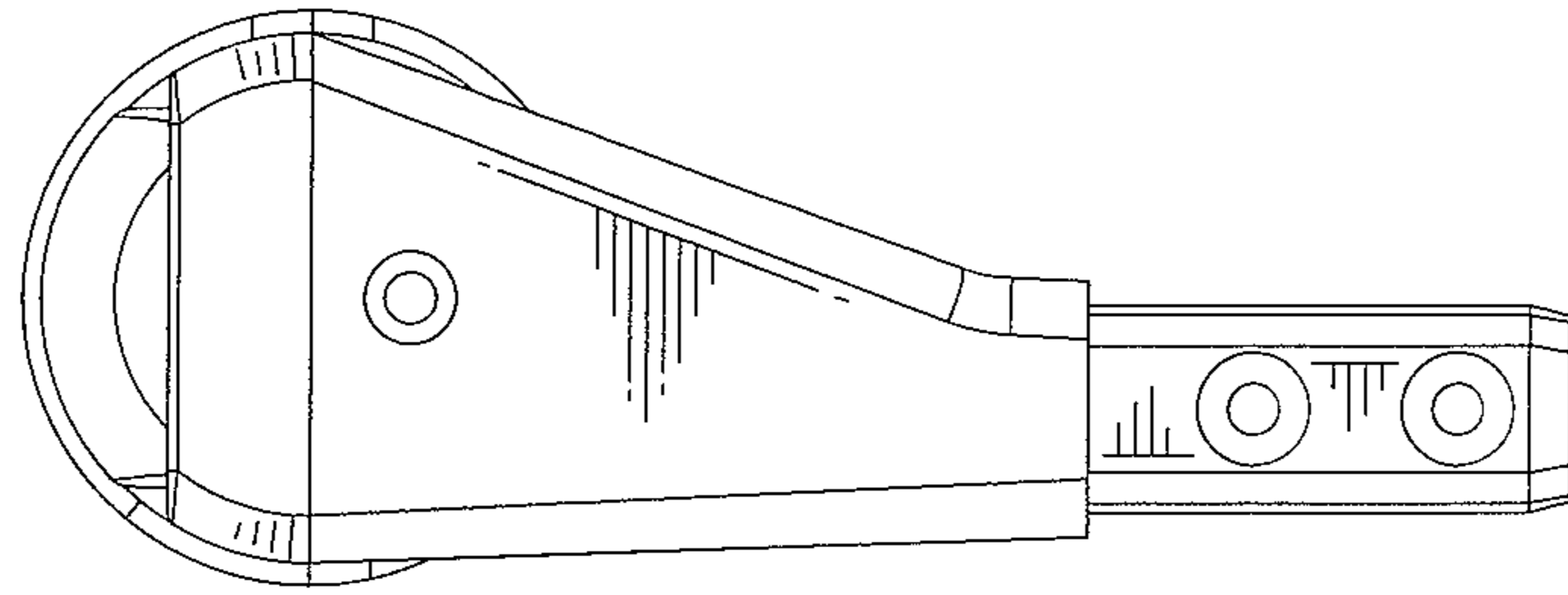


FIG. 5

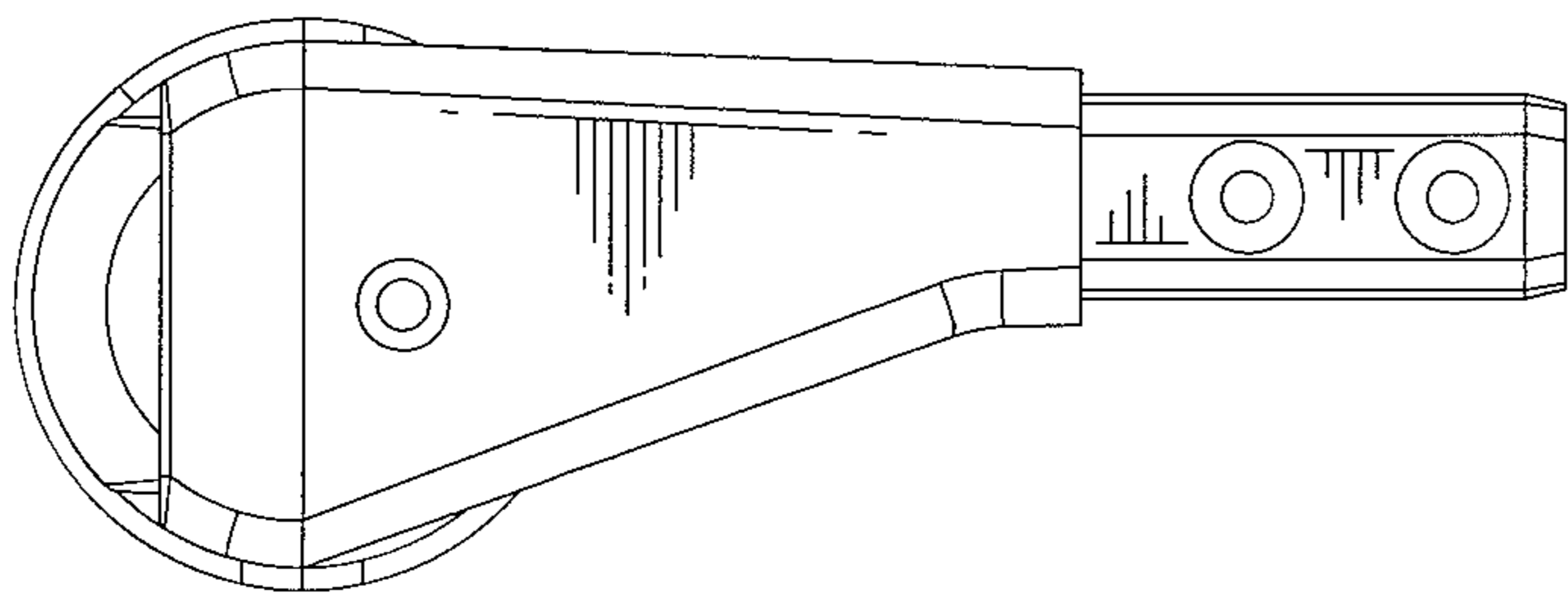


FIG. 4

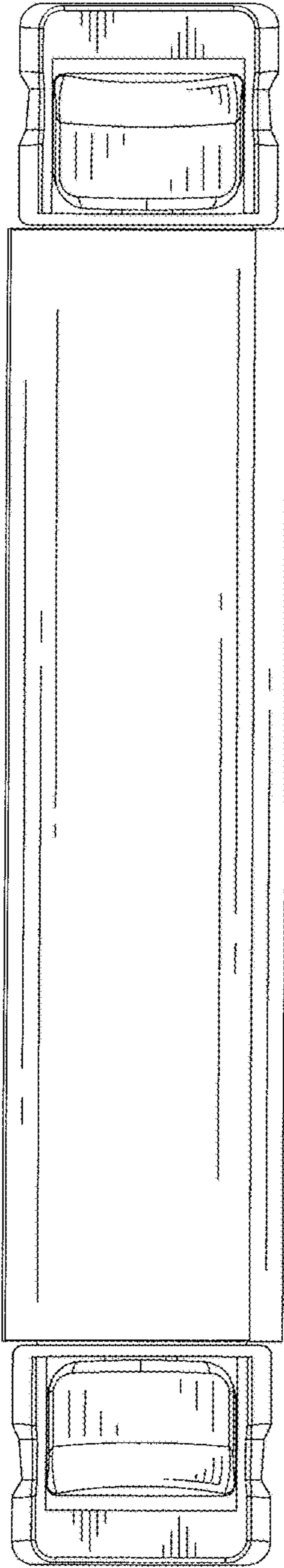


FIG. 6

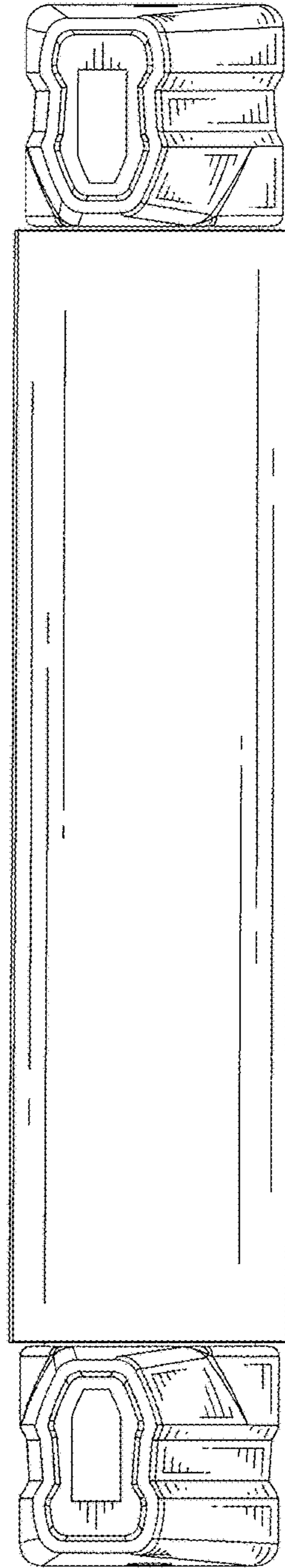


FIG. 7