



US00D820596S

(12) **United States Design Patent**
Greenwald

(10) **Patent No.:** **US D820,596 S**
(45) **Date of Patent:** **** Jun. 19, 2018**

- (54) **CASE**
- (71) Applicant: **LISA PAIGE, LLC**, New York City, NY (US)
- (72) Inventor: **Lisa Paige Greenwald**, New York City, NY (US)
- (73) Assignee: **Lisa Paige, LLC**, New York City, NY (US)
- (**) Term: **15 Years**
- (21) Appl. No.: **29/580,271**
- (22) Filed: **Oct. 6, 2016**
- (51) **LOC (11) Cl.** **03-01**
- (52) **U.S. Cl.**
USPC **D3/299; D3/303**
- (58) **Field of Classification Search**
USPC D3/203.6, 217, 218, 233, 249, 269, 274, D3/276, 279, 282, 284, 288, 289, 290, D3/900, 901, 902, 905, 313, 903, 272, D3/302, 261, 266, 301, 303, 205; D24/194, 199
CPC .. B65D 85/68; A45C 3/00; A45C 5/00; A45C 2003/007; A45C 2003/008; A45C 5/03; A45C 5/04; A45C 7/0036; A45C 2009/007; A45C 11/16; A45C 7/00; A45C 7/0059
See application file for complete search history.

- D589,250 S * 3/2009 Myers D3/218
- D602,690 S * 10/2009 Schochet D3/249
- D750,888 S * 3/2016 Johnson D3/249
- D772,559 S * 11/2016 Binder D3/203.6
- D789,076 S * 6/2017 Pierre D3/218
- D794,331 S * 8/2017 Grote D3/218

OTHER PUBLICATIONS

Chewbeads, "CB Go by Chewbeads 100% Silicone Wipes Case", Accessed Oct. 16, 2017. (<http://www.chewbeads.com/CB-GO-Wipes-Clutch-Case-p/wipesclutch.htm>).*
Chewbeads, "CB Go by Chewbeads 100% Silicone Small Pouch", Accessed Oct. 16, 2017. (<http://www.chewbeads.com/CB-GO-Small-Pouch-for-pacifiers-and-more-p/pouch.htm>).*

* cited by examiner

Primary Examiner — Jennifer Rivard
Assistant Examiner — April Rivas
(74) *Attorney, Agent, or Firm* — Rivenoak Law Group, P.C.

(57) **CLAIM**

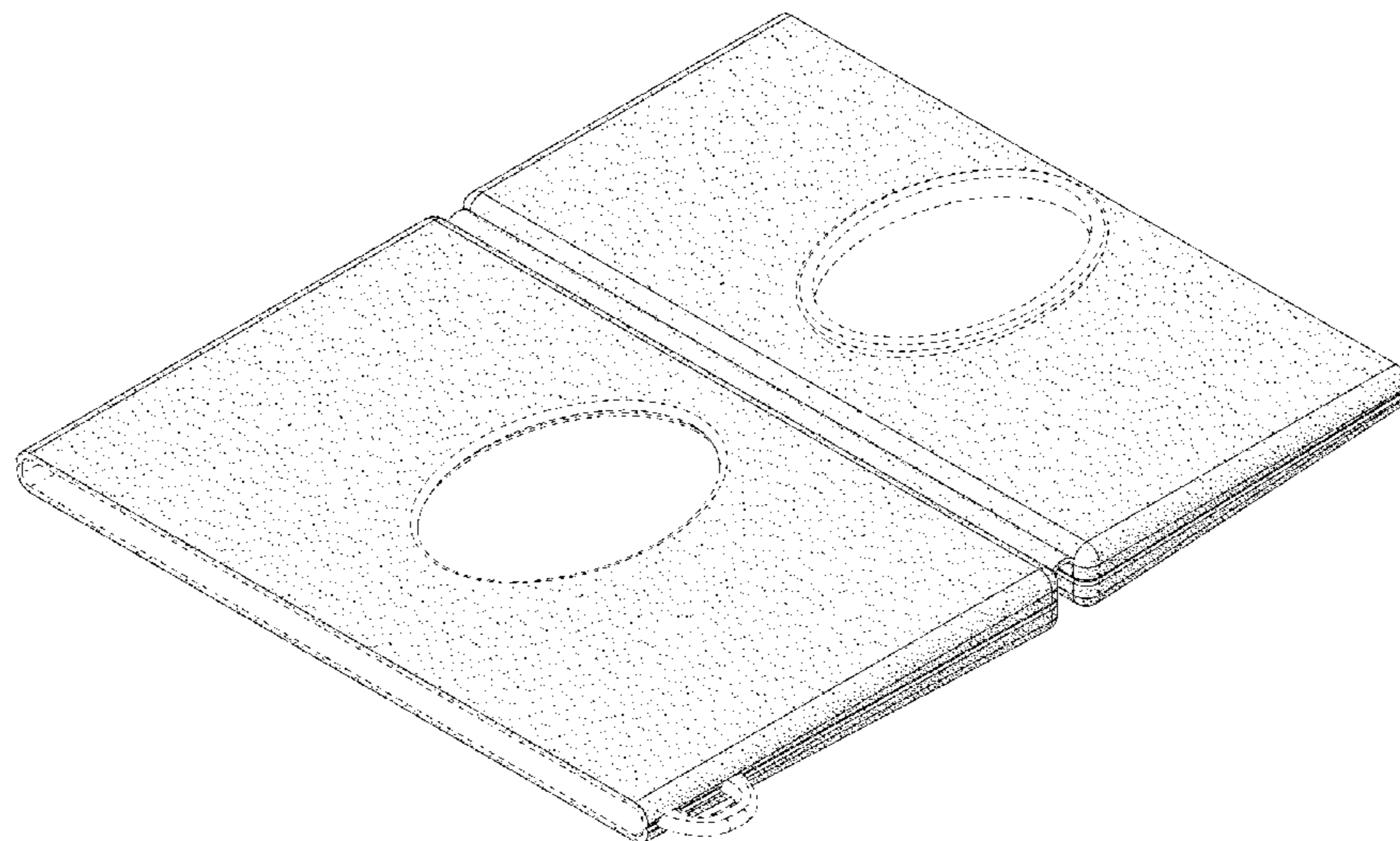
The ornamental design for case, as shown and described.

DESCRIPTION

FIG. 1 is a top perspective view of a case in accordance with the present teachings.
FIG. 2 is a bottom perspective view of the case of FIG. 1.
FIG. 3 is a top view of the case of FIG. 1.
FIG. 4 is a bottom view of the case of FIG. 1.
FIG. 5 is a front view of the case of FIG. 1.
FIG. 6 is a back view of the case of FIG. 1.
FIG. 7 is a left side view of the case of FIG. 1; and,
FIG. 8 is a right side view of the case of FIG. 1.
The broken lines illustrate portions of the case and form no part of the claimed design.

1 Claim, 5 Drawing Sheets

- (56) **References Cited**
U.S. PATENT DOCUMENTS
D202,755 S * 11/1965 Schlessinger D3/250
D435,340 S * 12/2000 Kojoori D3/247
D446,930 S * 8/2001 Bodony D3/233
D447,334 S * 9/2001 Williams D3/215
D492,483 S * 7/2004 Gildea D3/249
7,073,684 B2 * 7/2006 Decker A47K 10/421
221/63



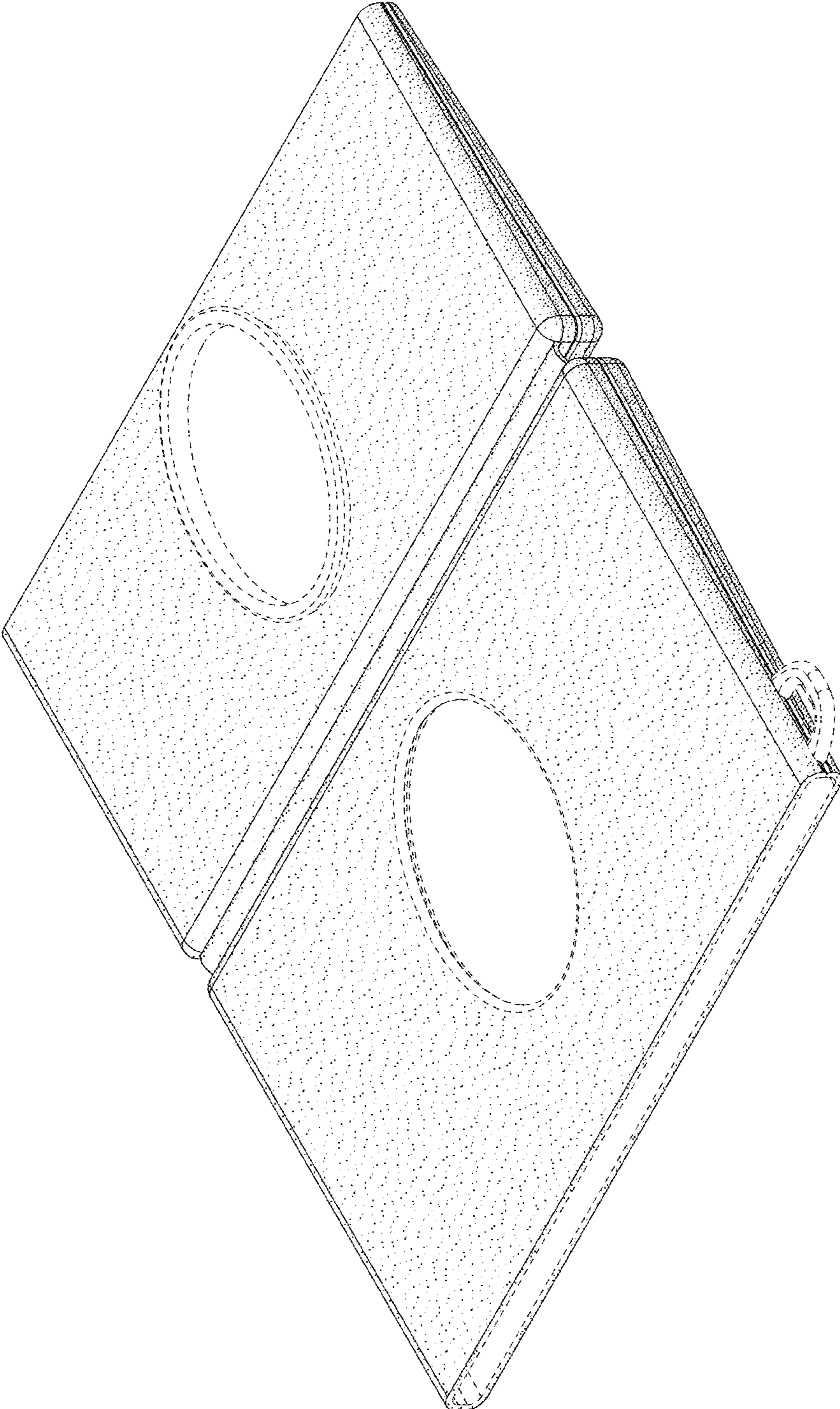


FIG. 1

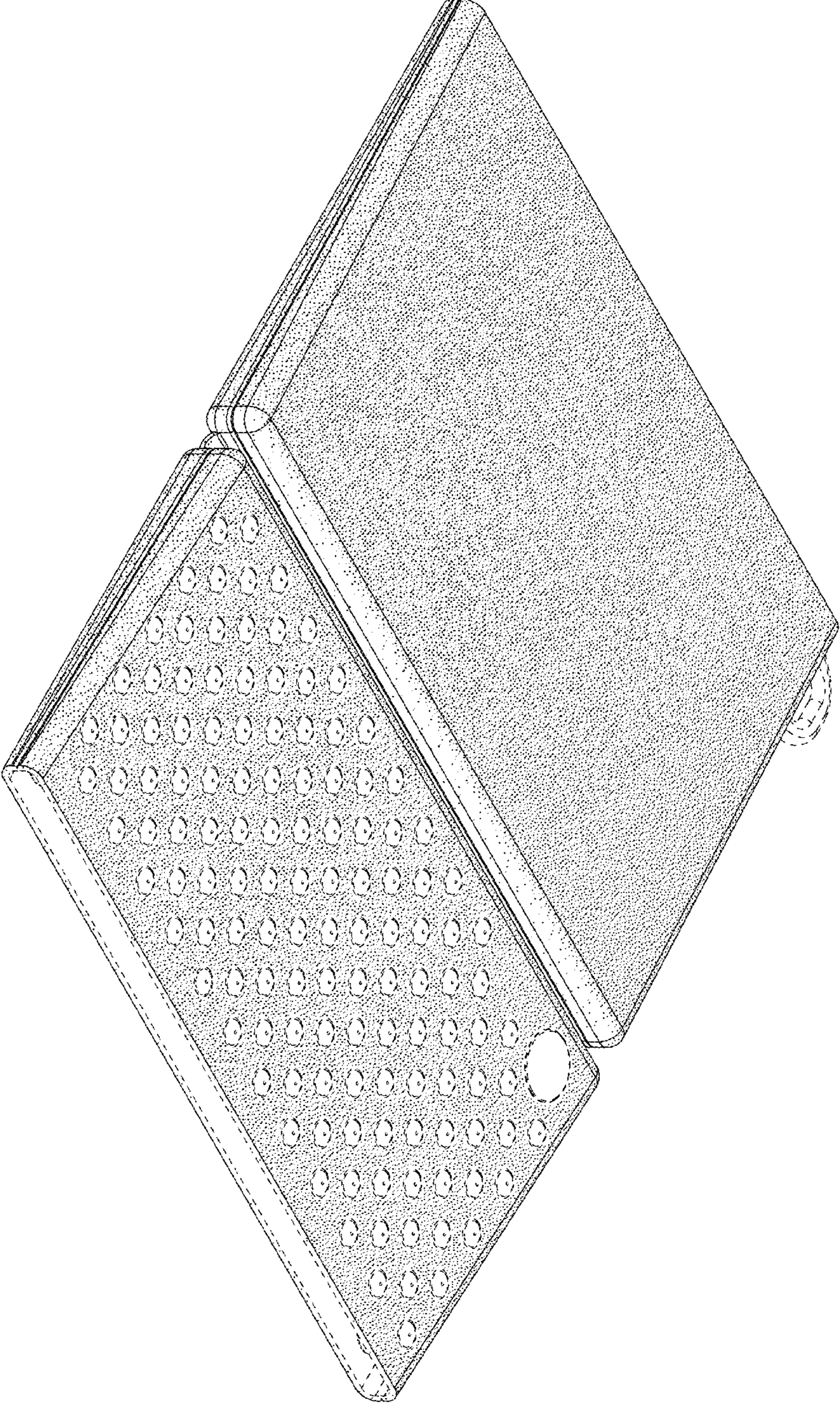


FIG. 2

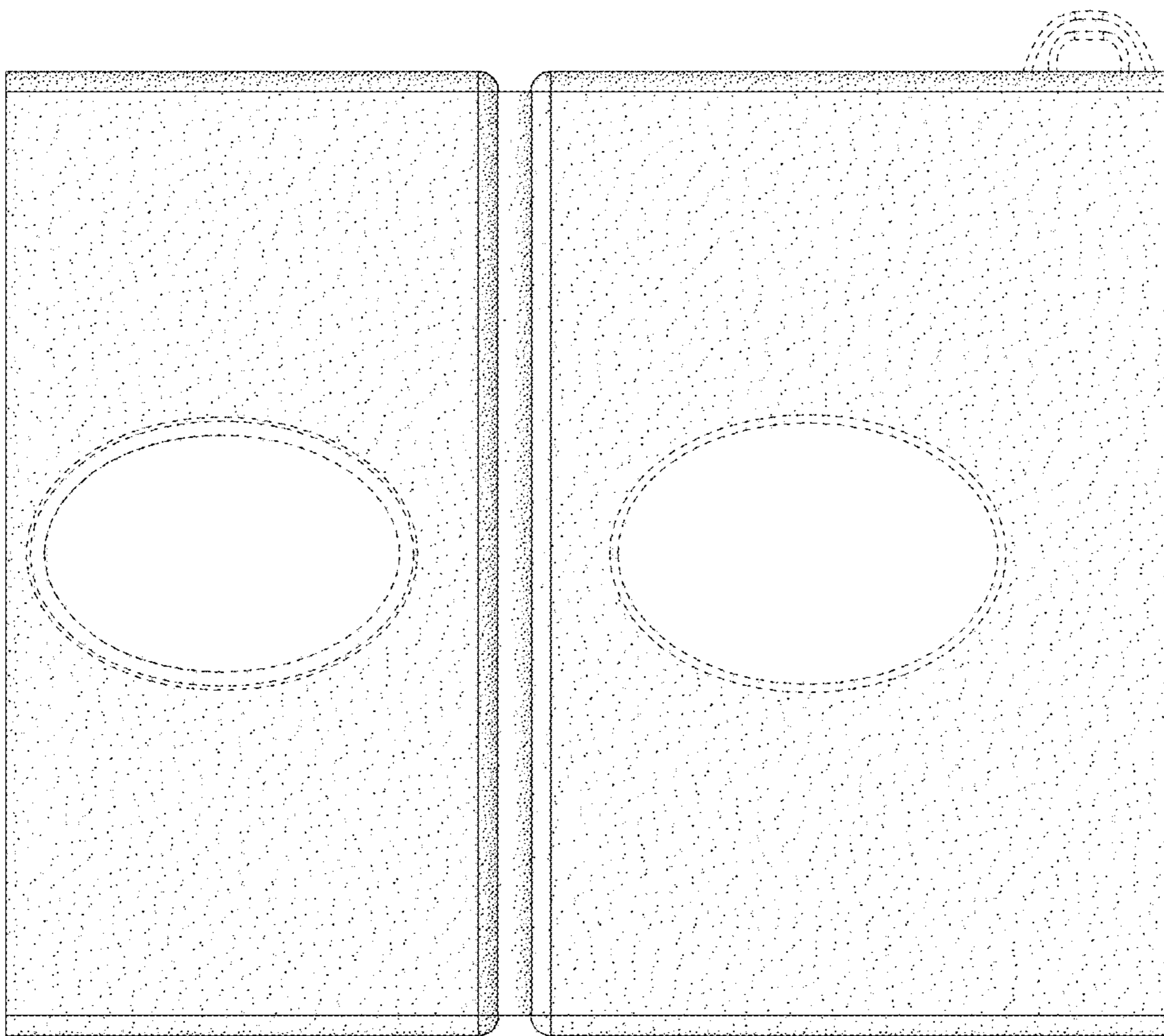


FIG. 3

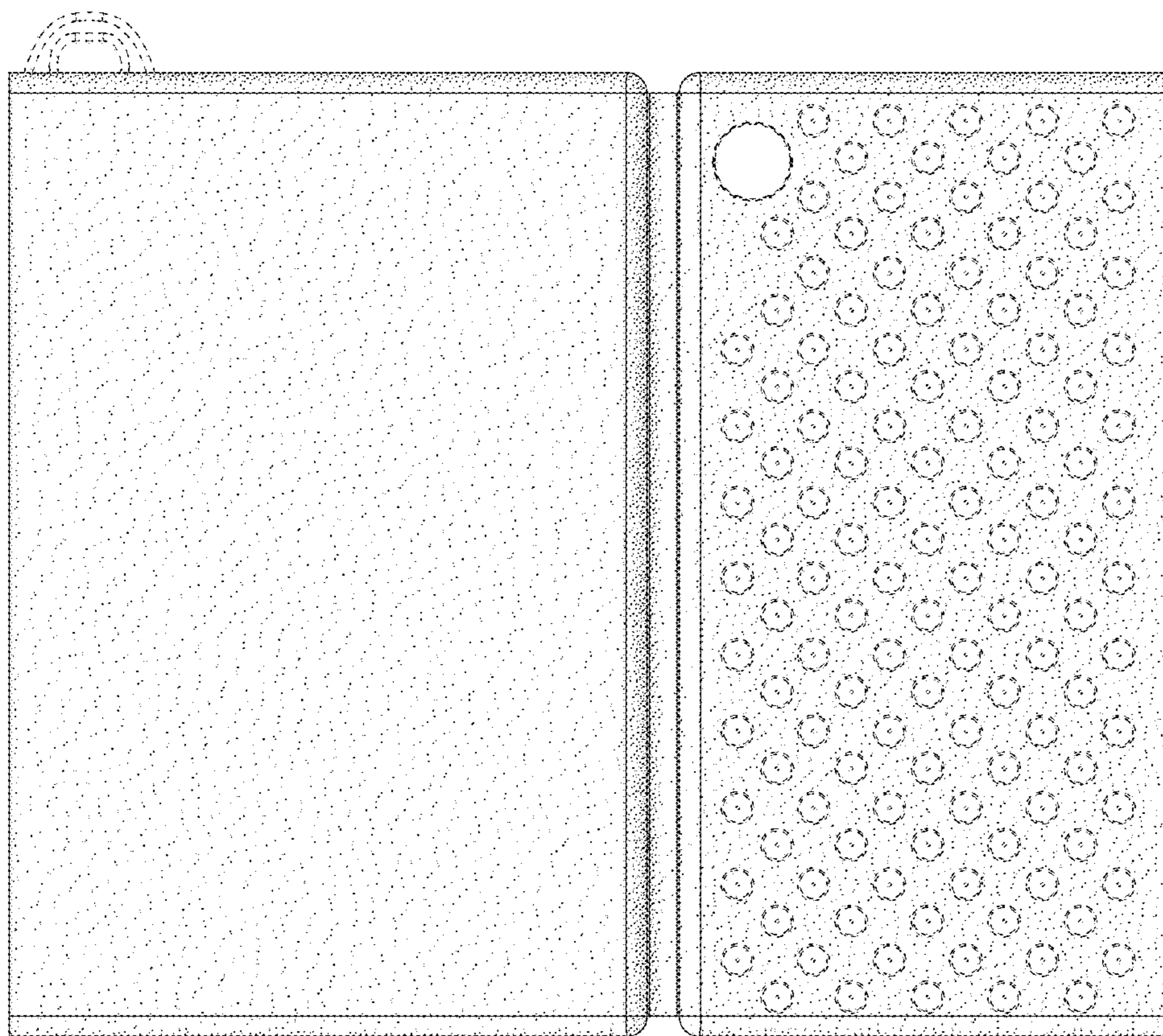


FIG. 4

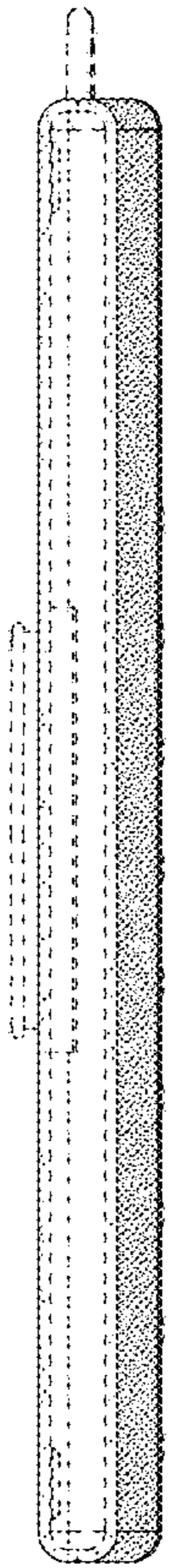


FIG. 5

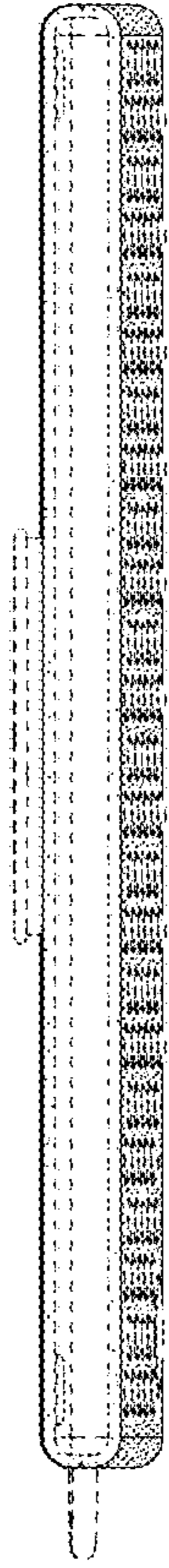


FIG. 6

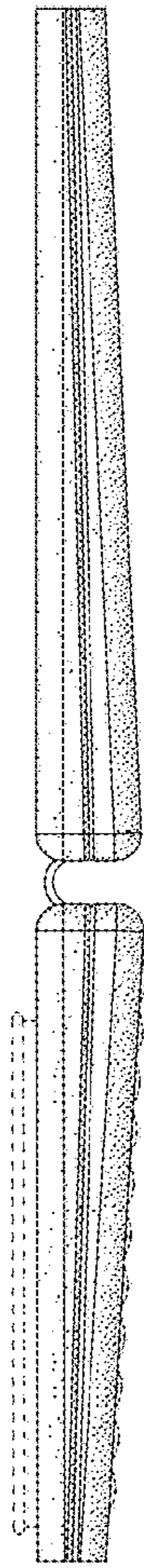


FIG. 7

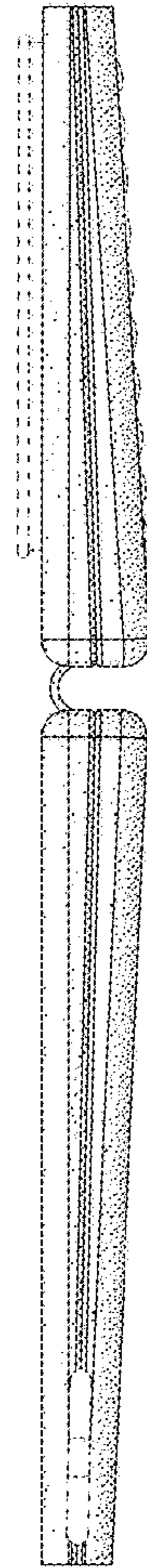


FIG. 8