



US00D820595S

(12) **United States Design Patent**
Currier

(10) **Patent No.:** **US D820,595 S**

(45) **Date of Patent:** **** Jun. 19, 2018**

(54) **HANGING STORAGE CONTAINER**

D740,561 S * 10/2015 Mbi D3/283
D762,978 S * 8/2016 Boroski D3/283
D770,360 S * 11/2016 Currier D12/415

(71) Applicant: **TALUS CORPORATION**, Portland,
ME (US)

(72) Inventor: **Jason Currier**, Portland, ME (US)

(73) Assignee: **Talus Corporation**, Portland, ME (US)

(**) Term: **15 Years**

(21) Appl. No.: **29/585,360**

(22) Filed: **Nov. 23, 2016**

(51) **LOC (11) Cl.** **03-01**

(52) **U.S. Cl.**
USPC **D3/293**; D3/299

(58) **Field of Classification Search**
USPC D3/274, 273, 276, 283, 284, 285, 287,
D3/288, 289, 290, 905, 203.1, 203.6, 205,
D3/215, 243, 244, 299, 902, 293;
D12/415, 416; D7/605, 607
CPC A45C 3/04; A45C 5/005; A45C 2005/10;
A45C 2007/0004; A45C 7/0036; A45C
2009/007; A45C 9/00; A45C 2011/003;
A45C 11/20

See application file for complete search history.

(56) **References Cited**

U.S. PATENT DOCUMENTS

D284,333 S * 6/1986 Huston D3/268
D291,149 S * 8/1987 Smith D3/287
D346,489 S * 5/1994 Bean D12/407
D423,779 S * 5/2000 Goatcher D3/283
D461,053 S * 8/2002 Heilman D3/299
D471,012 S * 3/2003 Peterson D3/254
D530,983 S * 10/2006 Krieger D12/416
D602,688 S * 10/2009 Smith D3/233
D614,867 S * 5/2010 Johnson D3/290
D666,814 S * 9/2012 Allison D3/274
D714,551 S * 10/2014 Sanchez D3/282
D716,717 S * 11/2014 Swartzel D12/416

OTHER PUBLICATIONS

Talus, "High Road Express Seatback Litter Station", accessed Sep. 20, 2017. (<http://www.talusproducts.com/Talus-High-Road-Express-Seat-Back-Litter-Station-p/hr-3529-blk.htm>).*

* cited by examiner

Primary Examiner — Jennifer Rivard

Assistant Examiner — April Rivas

(74) *Attorney, Agent, or Firm* — Tredecim LLC; Sean L. Sweeney

(57) **CLAIM**

The ornamental design for a hanging storage container, as shown and described.

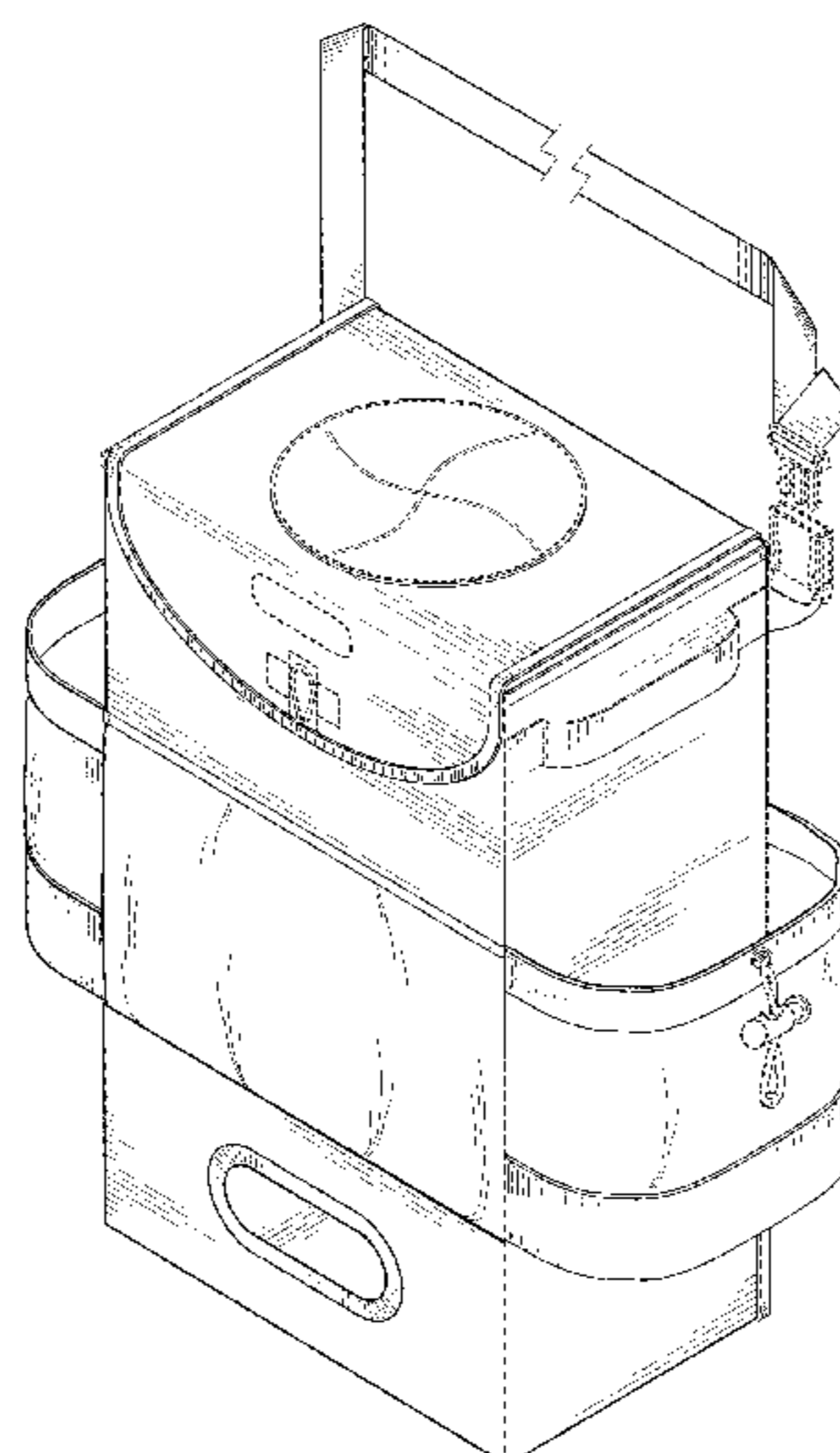
DESCRIPTION

FIG. 1 is a front view of a first embodiment of a hanging storage container showing my new design;
FIG. 2 is a rear view thereof;
FIG. 3 is a left side view thereof, the right side being a mirror image;
FIG. 4 is a top view thereof;
FIG. 5 is a top view of a second embodiment thereof;
FIG. 6 is a bottom view thereof;
FIG. 7 is a perspective front view thereof; and,
FIG. 8 is a perspective front view of the second embodiment thereof.

The broken lines illustrate portions of the hanging storage container and form no part of the claimed design. The strap is shown with a symbolic break in its length. The appearance of any portion of the article between the symbolic break forms no part of the claimed design.

The front, rear, left, right, and bottom view of the second embodiment is identical to the first embodiment.

1 Claim, 8 Drawing Sheets



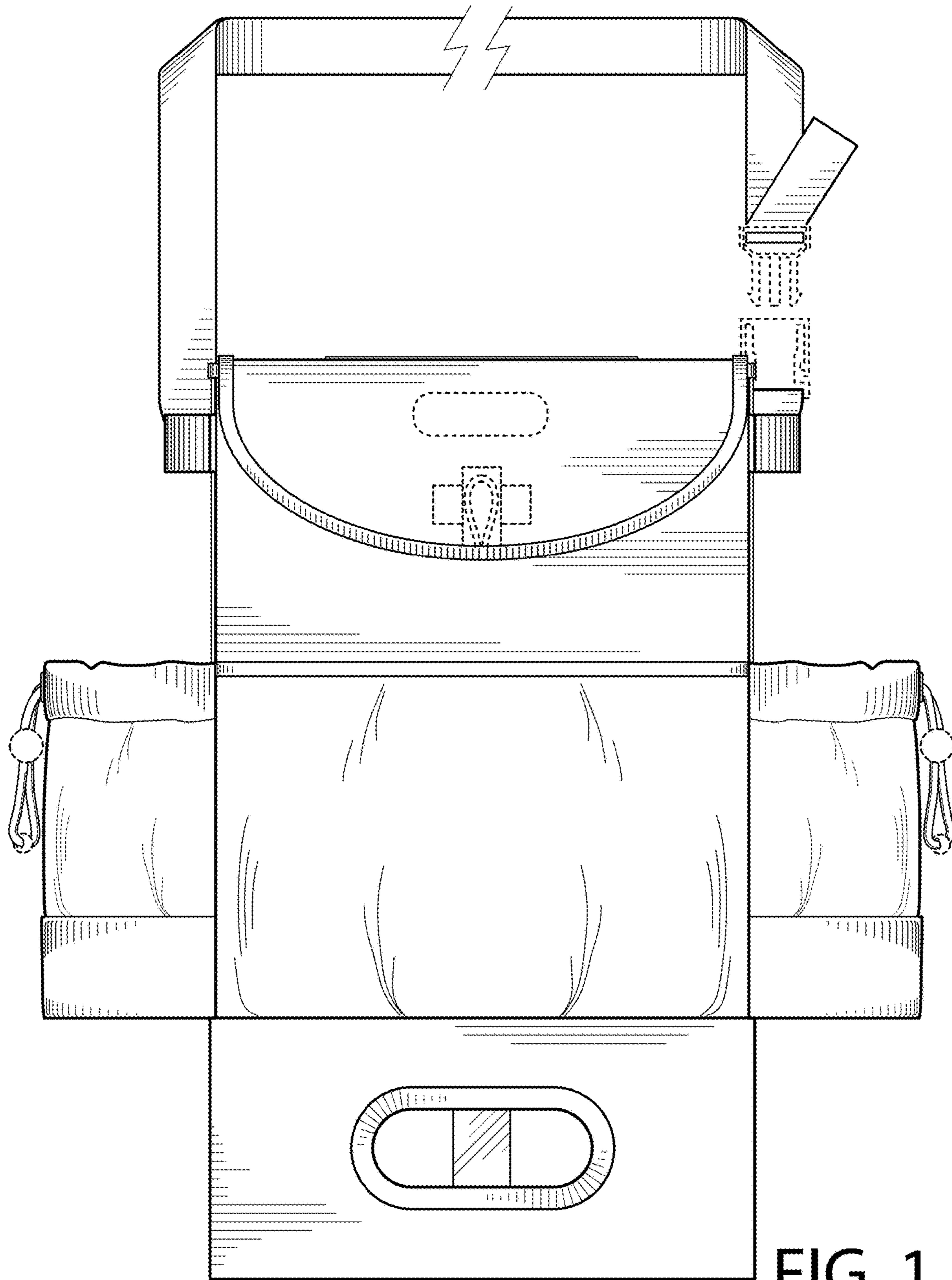


FIG. 1

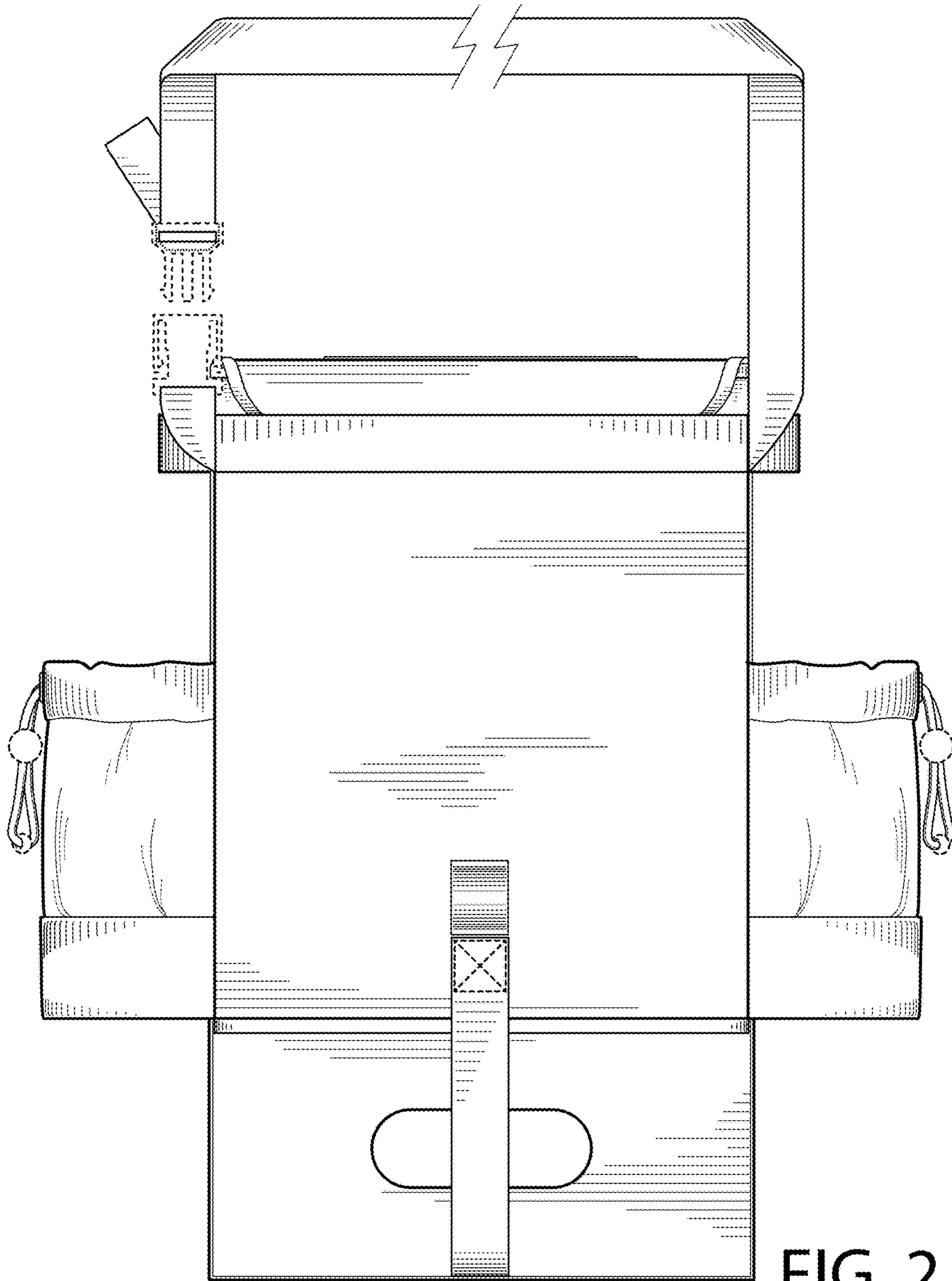


FIG. 2

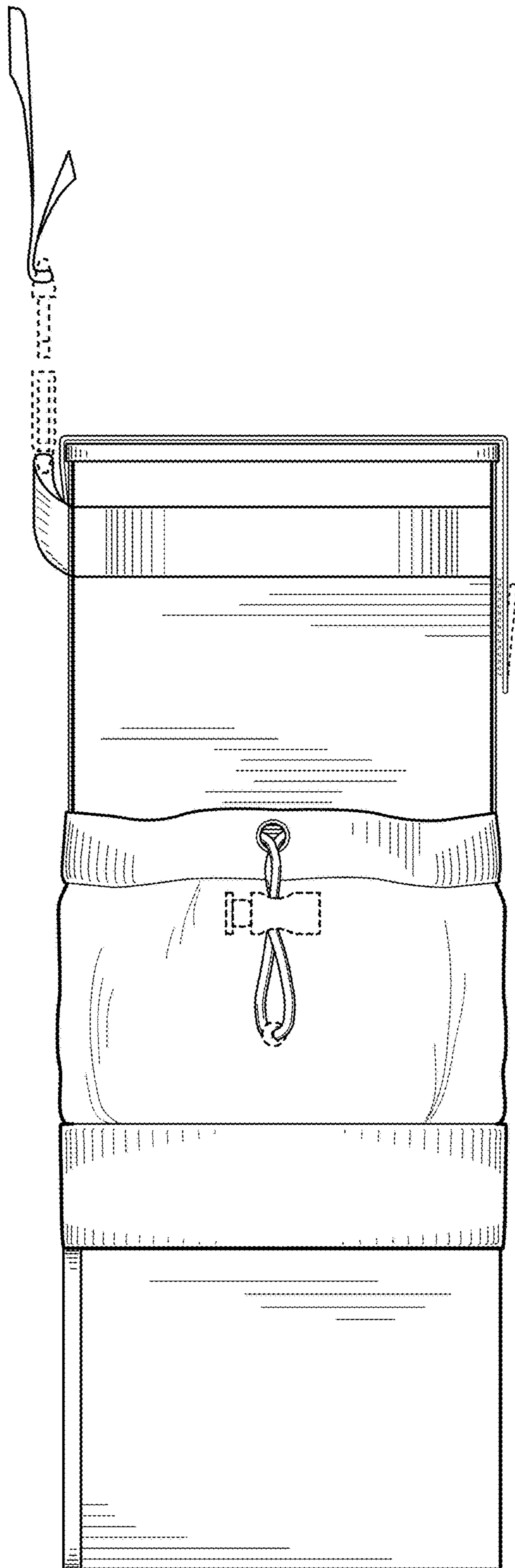


FIG. 3

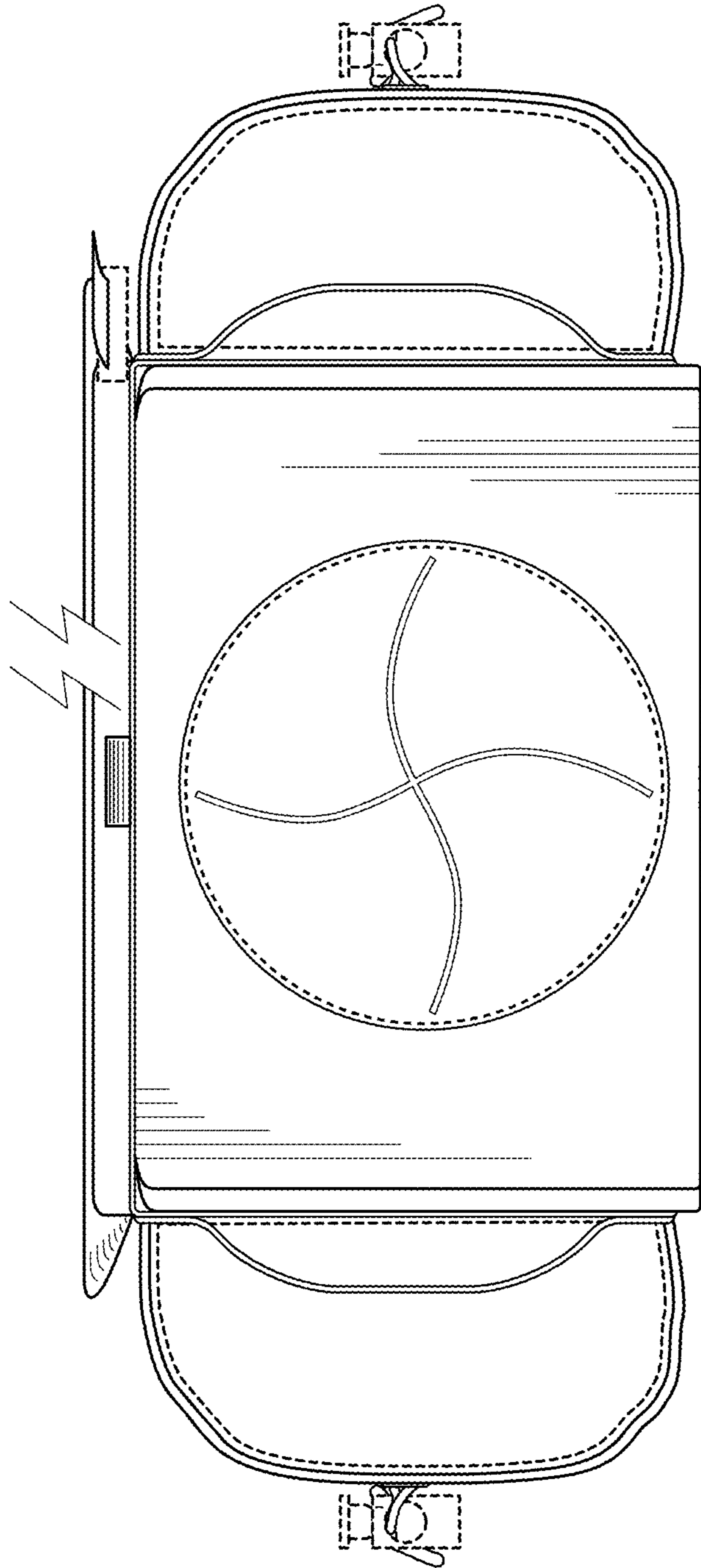


FIG. 4

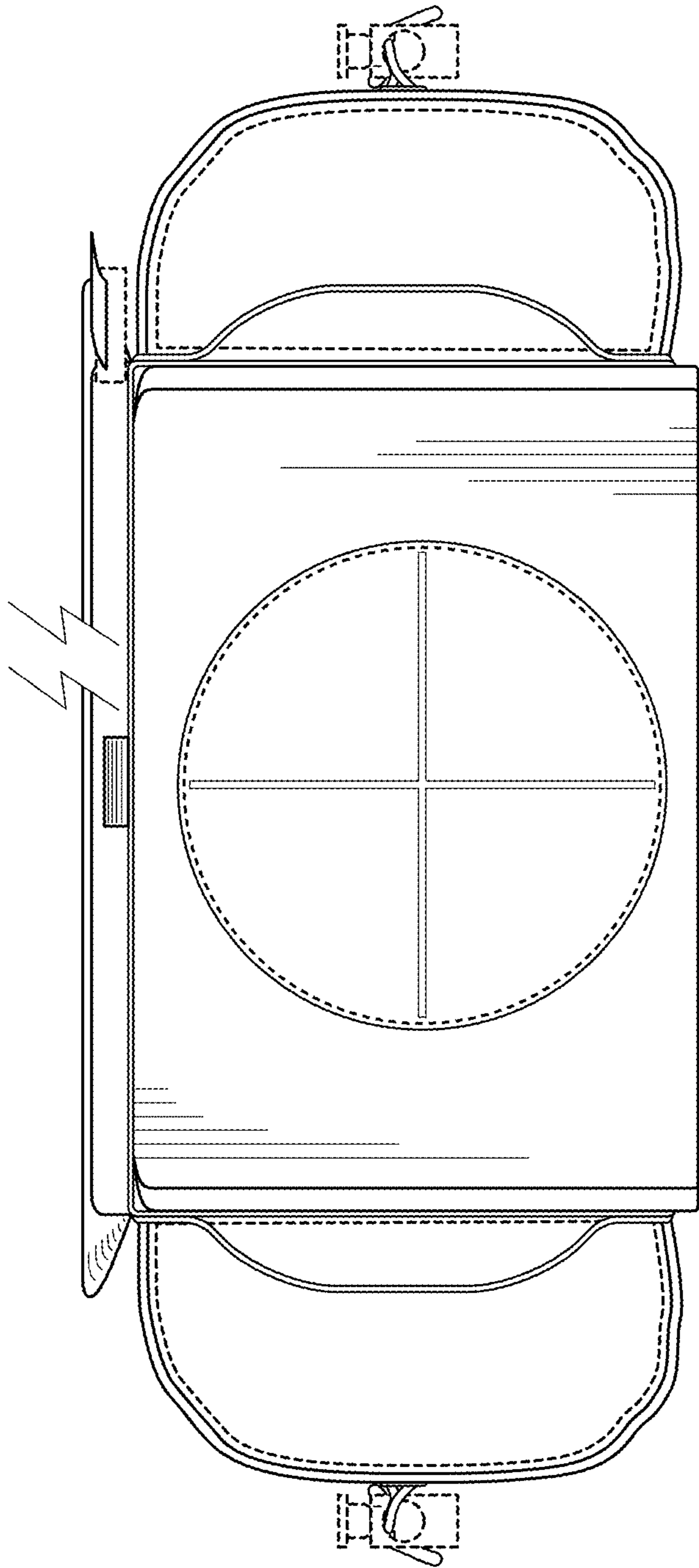


FIG. 5

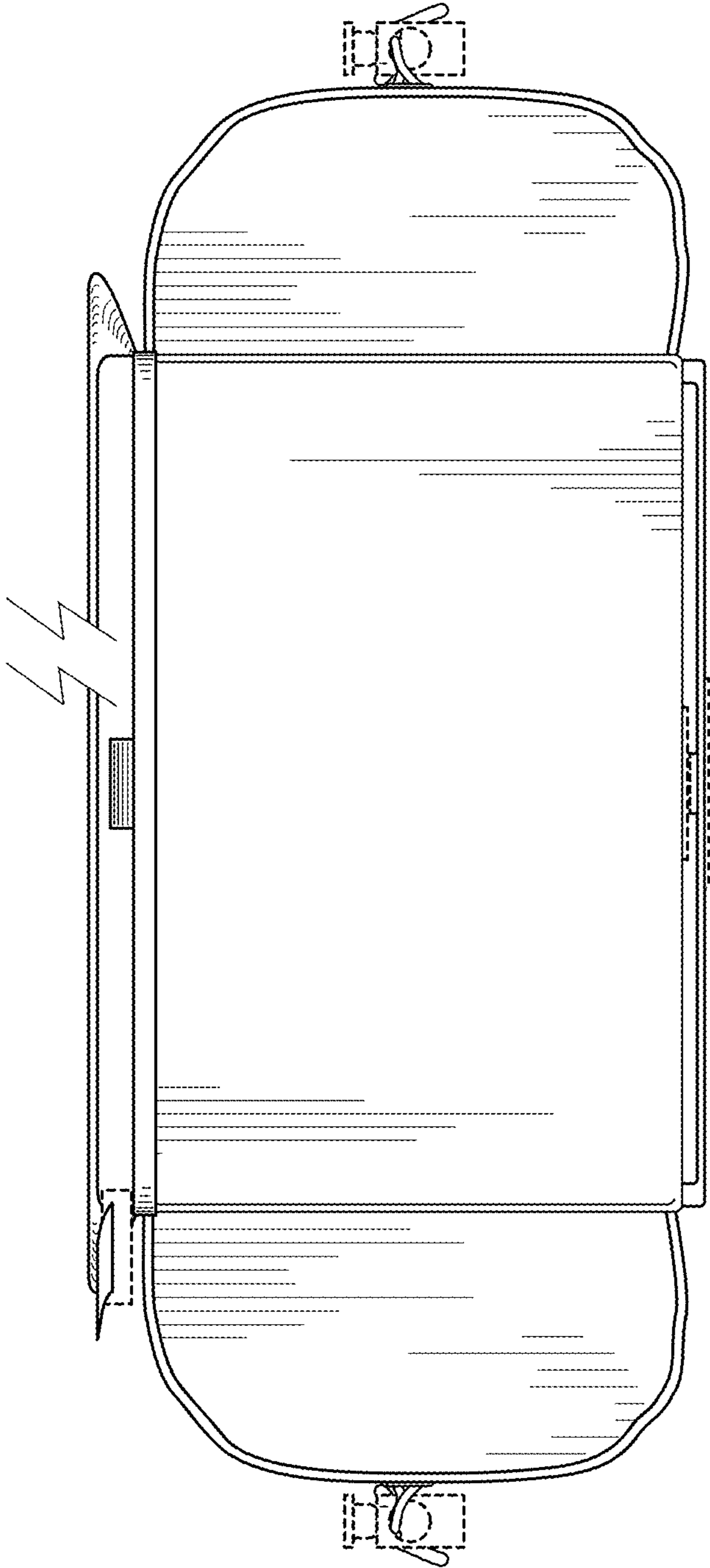


FIG. 6

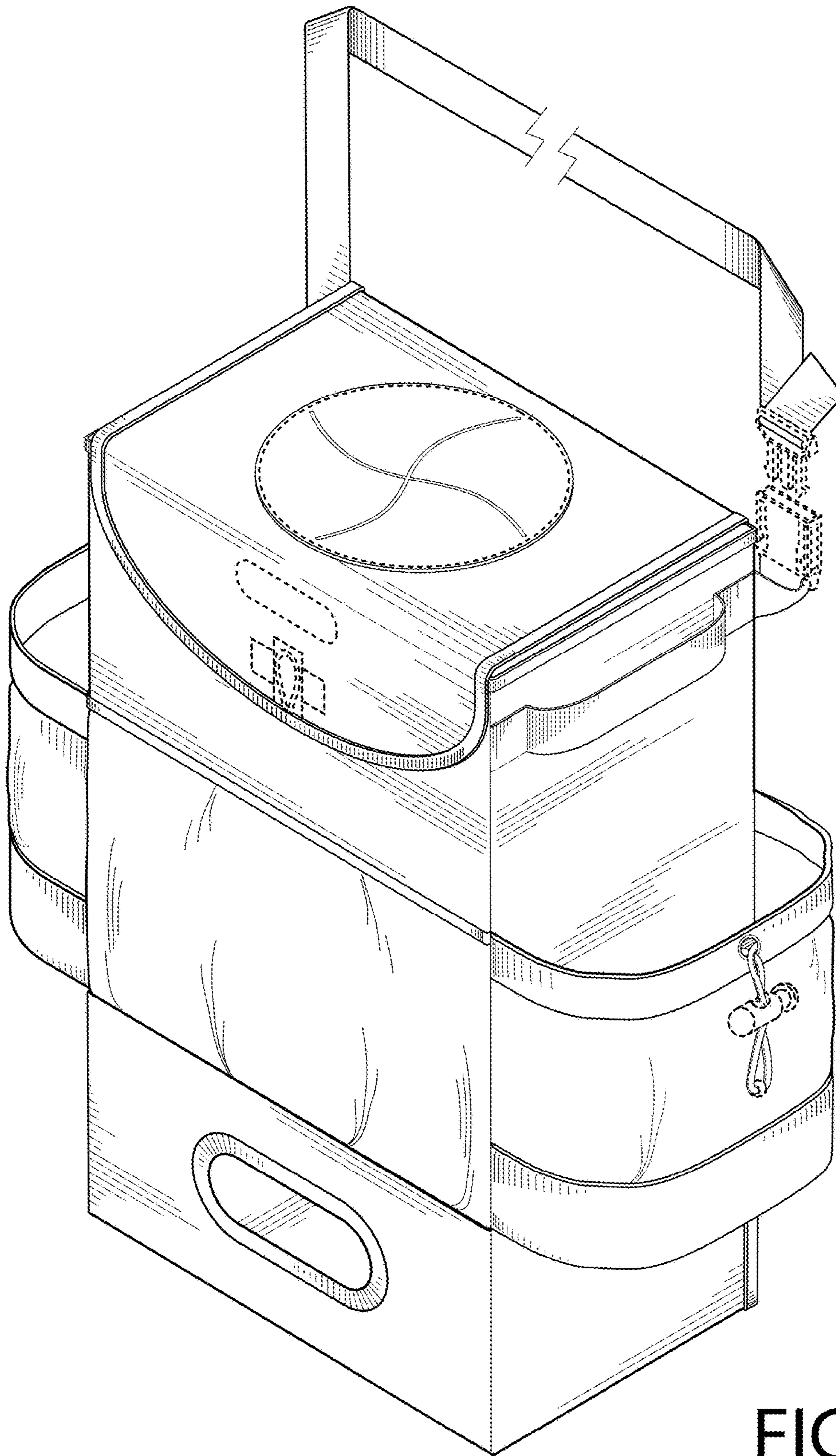


FIG. 7

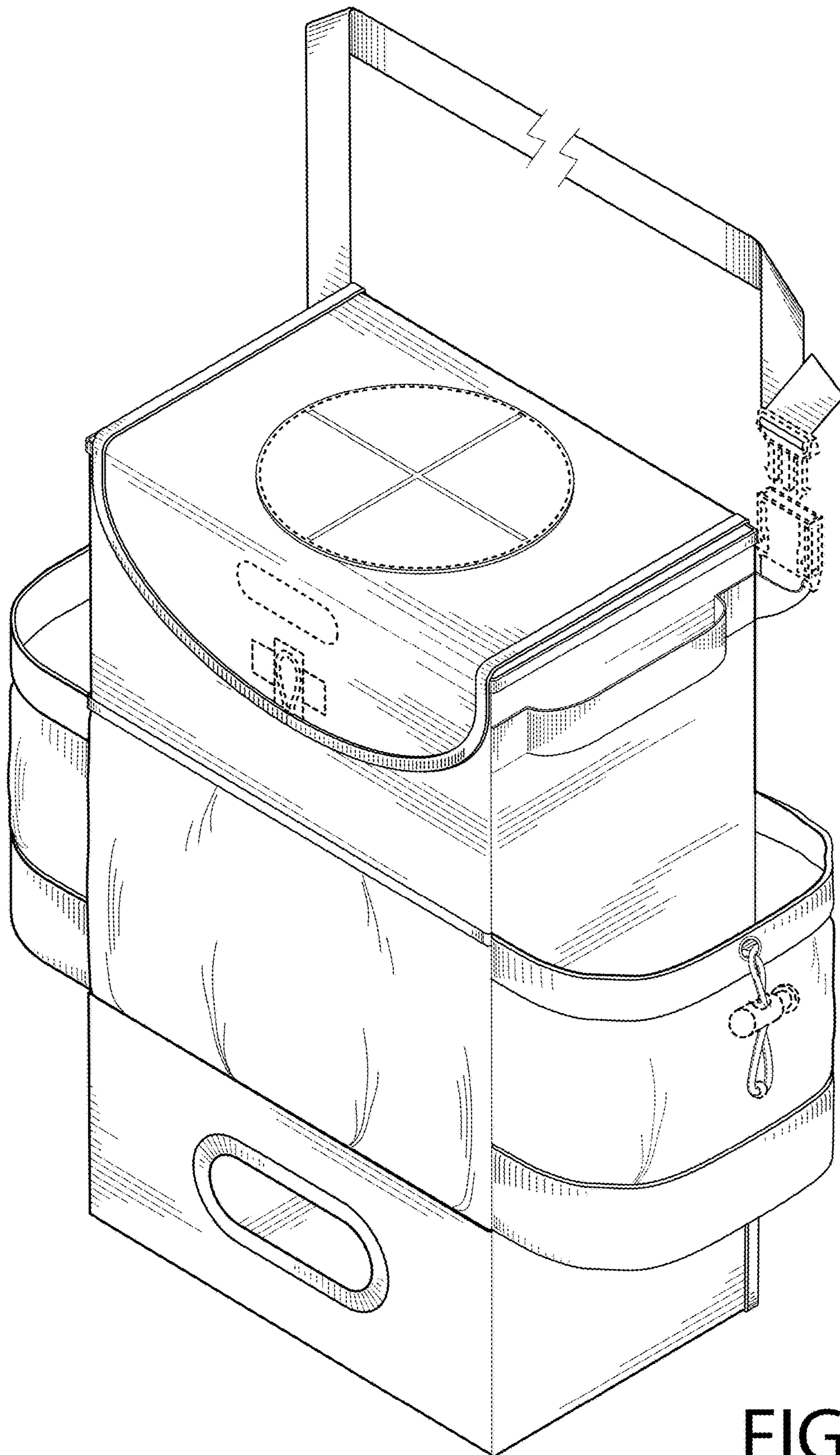


FIG. 8