



US00D820594S

(12) **United States Design Patent**
Yu

(10) **Patent No.:** **US D820,594 S**
(45) **Date of Patent:** **** Jun. 19, 2018**

(54) **LUGGAGE WITH MULTIPLE GRIP HANDLES**

com/product/travelers-club-luggage/luna-20-hardside-carry-on-spinner-luggage/348055).*

(Continued)

(71) Applicant: **Olympia International, Inc.**, Torrance, CA (US)

Primary Examiner — Jennifer Rivard

(72) Inventor: **Chris Yu**, Torrance, CA (US)

Assistant Examiner — April Rivas

(73) Assignee: **Olympia International, Inc.**, Torrance, CA (US)

(74) *Attorney, Agent, or Firm* — Lee, Hong, Degerman, Kang & Waimey

(**) Term: **15 Years**

(57) **CLAIM**

(21) Appl. No.: **29/573,631**

The ornamental design for a luggage with multiple grip handles, as shown and described.

(22) Filed: **Aug. 8, 2016**

(51) **LOC (11) Cl.** **03-01**

DESCRIPTION

(52) **U.S. Cl.**

USPC **D3/279**; D3/282

(58) **Field of Classification Search**

USPC D3/272, 273, 276, 279, 281, 282, 285, D3/287, 289, 321, 902

CPC A45C 3/00; A45C 3/004; A45C 2003/008; A45C 5/00; A45C 5/03; A45C 2005/032; A45C 2005/037; A45C 5/04

See application file for complete search history.

FIG. 1 is a front perspective view of a luggage with multiple grip handles formed along a vertical direction of the luggage;
FIG. 2 is a front elevational view thereof;
FIG. 3 is a first side elevational view thereof;
FIG. 4 is a second side elevational view thereof;
FIG. 5 is a top elevational view thereof;
FIG. 6 is a rear elevational view thereof
FIG. 7 is a side perspective view thereof;
FIG. 8 is a bottom elevation view thereof;
FIG. 9 is a front perspective view of a luggage with multiple grip handles formed along an horizontal direction of the luggage;
FIG. 10 is a front elevational view thereof;
FIG. 11 is a first side elevational view thereof;
FIG. 12 is a second side elevational view thereof;
FIG. 13 is a top elevational view thereof;
FIG. 14 is a rear elevational view thereof
FIG. 15 is a side perspective view thereof; and,
FIG. 16 is a bottom elevation view thereof.
The broken lines illustrate portions of the luggage with multiple grip handles and form no part of the claimed design.

(56) **References Cited**

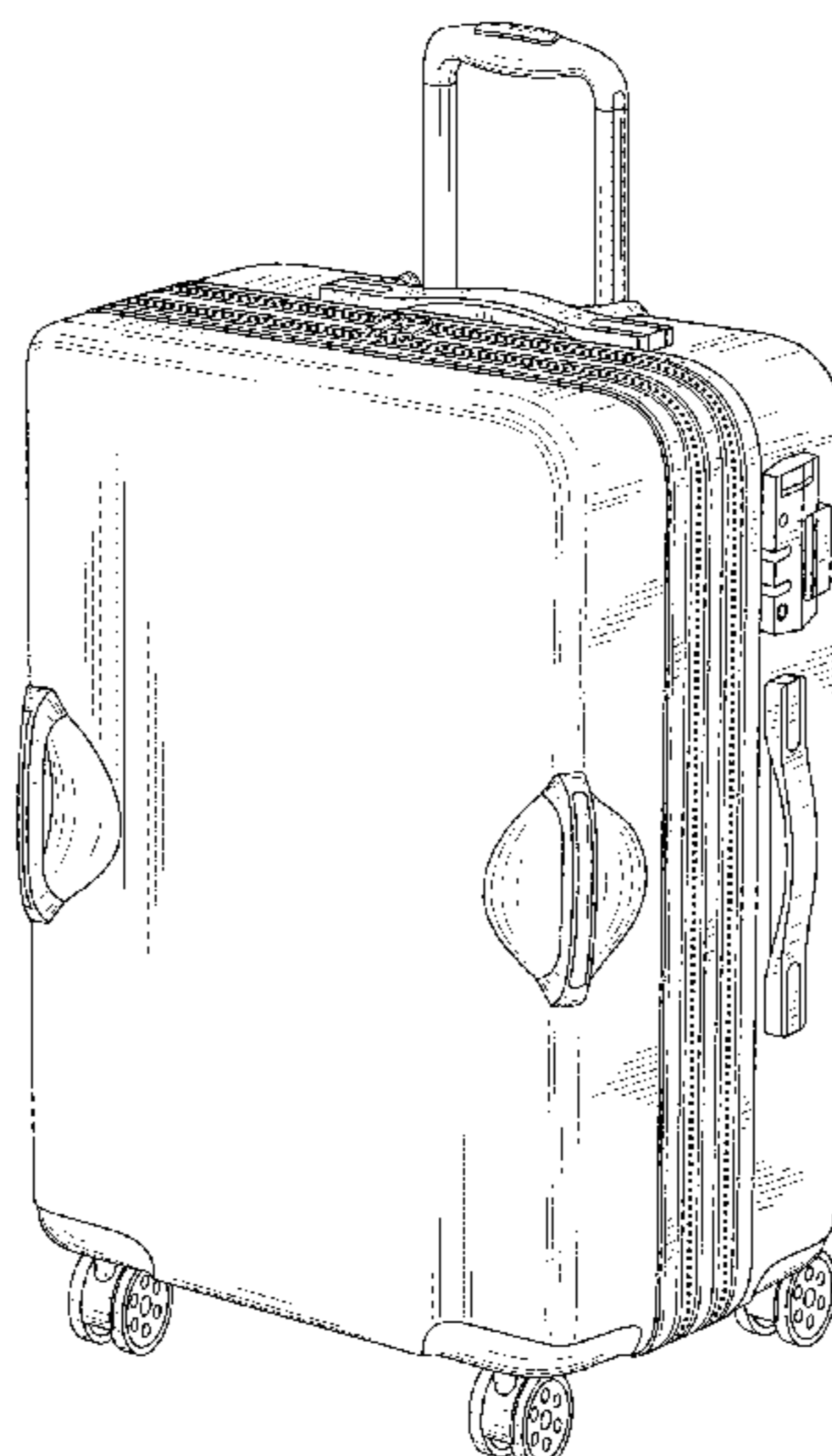
U.S. PATENT DOCUMENTS

D383,603 S *	9/1997	Pedlar	D3/279
D607,207 S *	1/2010	Horiyama	D3/279
D665,998 S *	8/2012	Sijmons	D3/279
D690,510 S *	10/2013	Fux	B62B 1/18
				D3/270
D712,658 S *	9/2014	Lai	D3/279
D759,971 S *	6/2016	Riddiford	D3/279
D784,017 S *	4/2017	Hsieh	D3/279
D790,220 S *	6/2017	Barenbrug	D3/281

OTHER PUBLICATIONS

eBags, "Travelers Club Luggage Luna 20" Hardside Carry-On Spinner Luggage", Accessed Aug. 28, 2017. (<https://www.ebags.com>)

1 Claim, 16 Drawing Sheets



(56)

References Cited

OTHER PUBLICATIONS

Rakuten Global Market, "Grip master sifre suitcase 67 cm size L", Accessed Aug. 28, 2017, Reviewed as early as Jul. 14, 2016. (<https://global.rakuten.com/en/store/mm-company/item/b5225t-67/>).*

Amazon, "siffler suitcase Star Wars 87L 5.3kg Vader Luke lightsaber grip master Starwars", Accessed Aug. 28, 2017. (<https://www.amazon.com/Chiflet-siffler-suitcase-lightsaber-STARWARS/dp/B0166HLQDA>).*

* cited by examiner

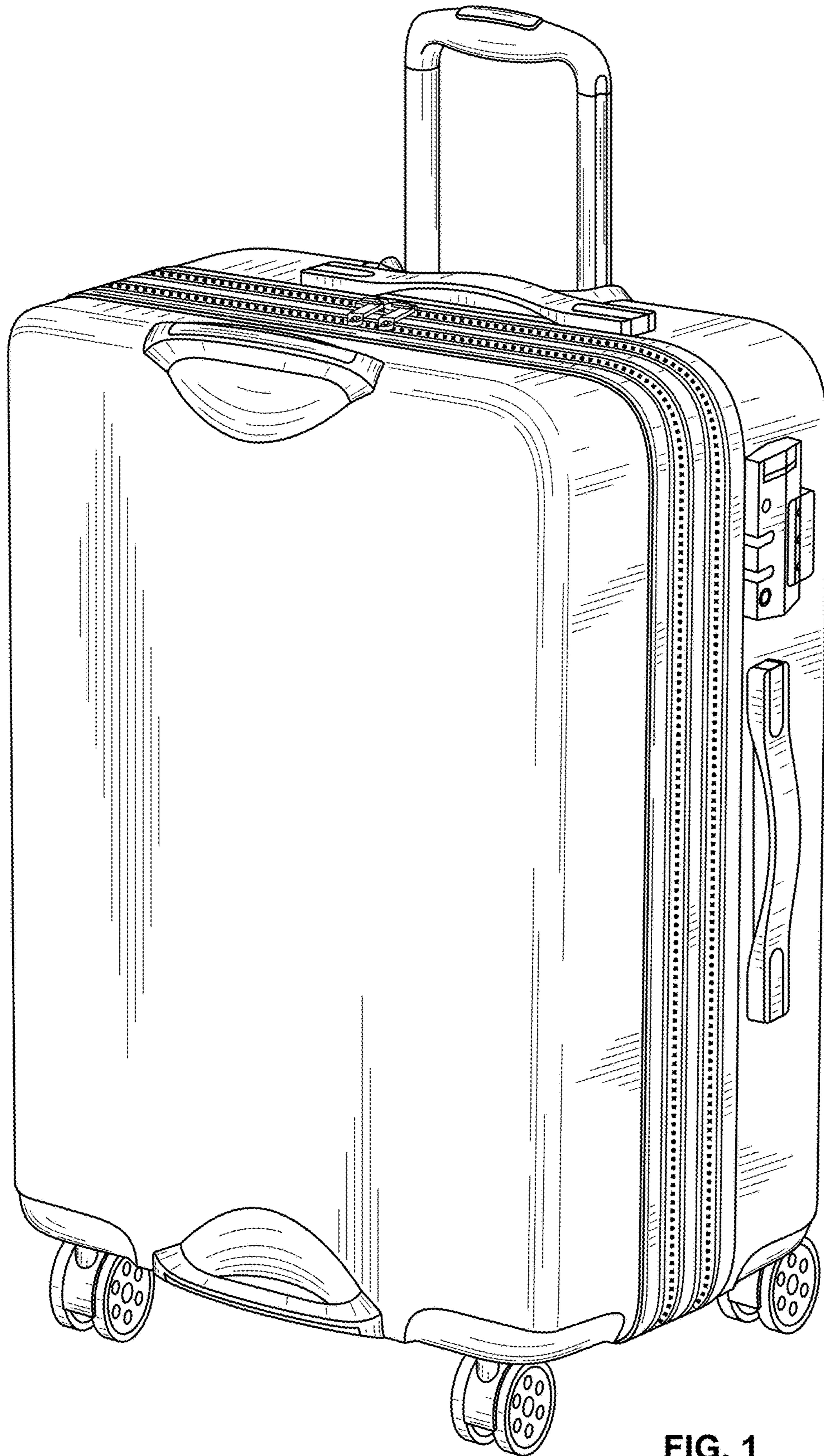


FIG. 1

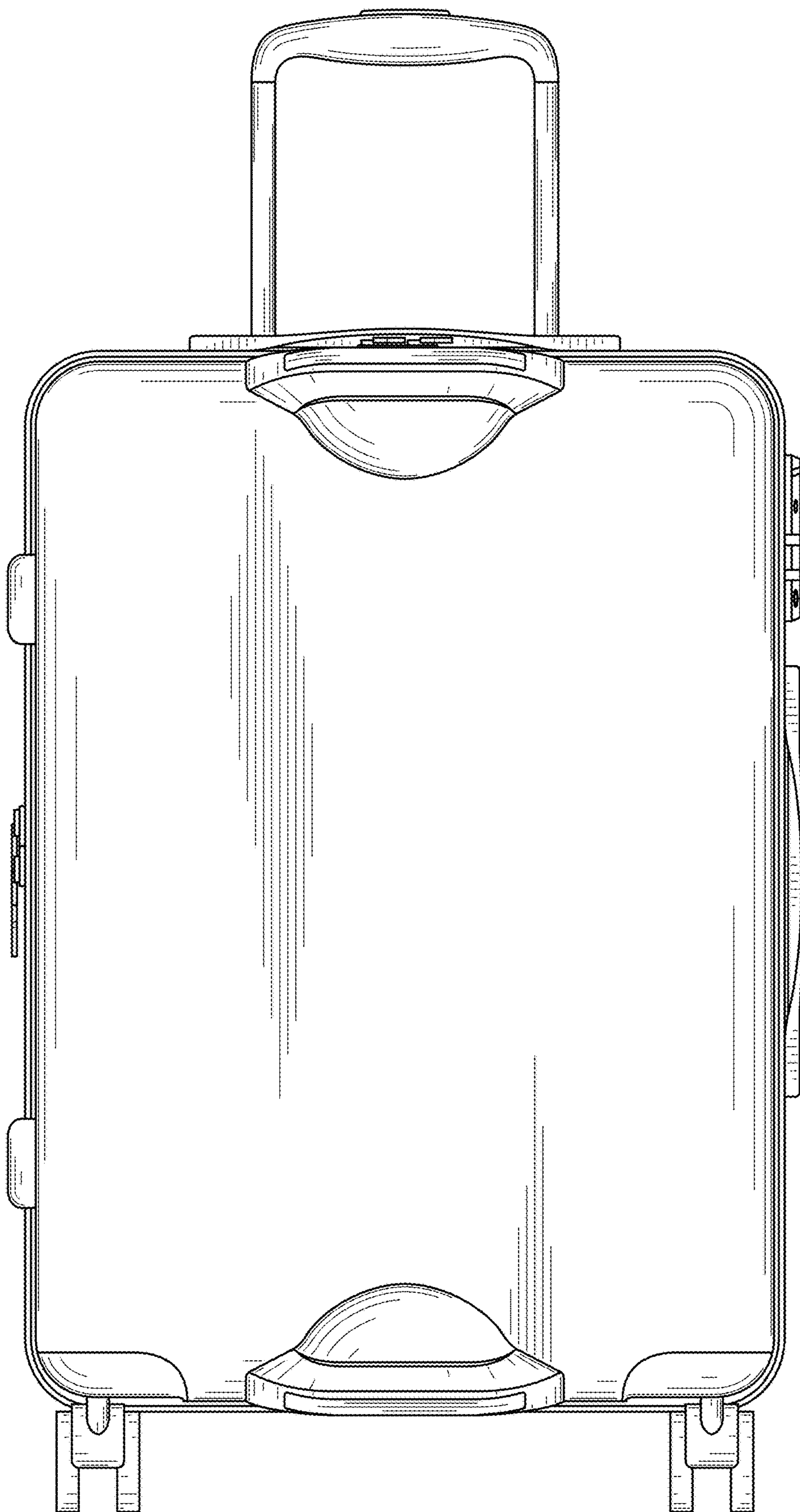


FIG. 2

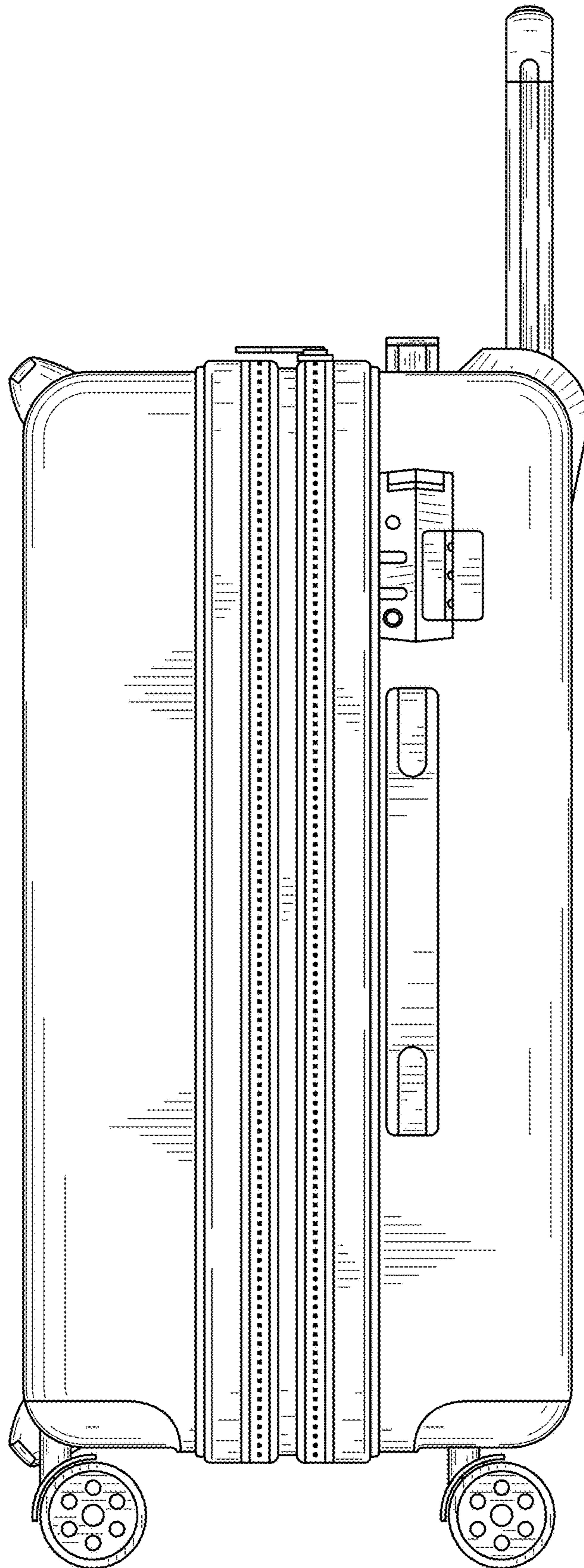


FIG. 3

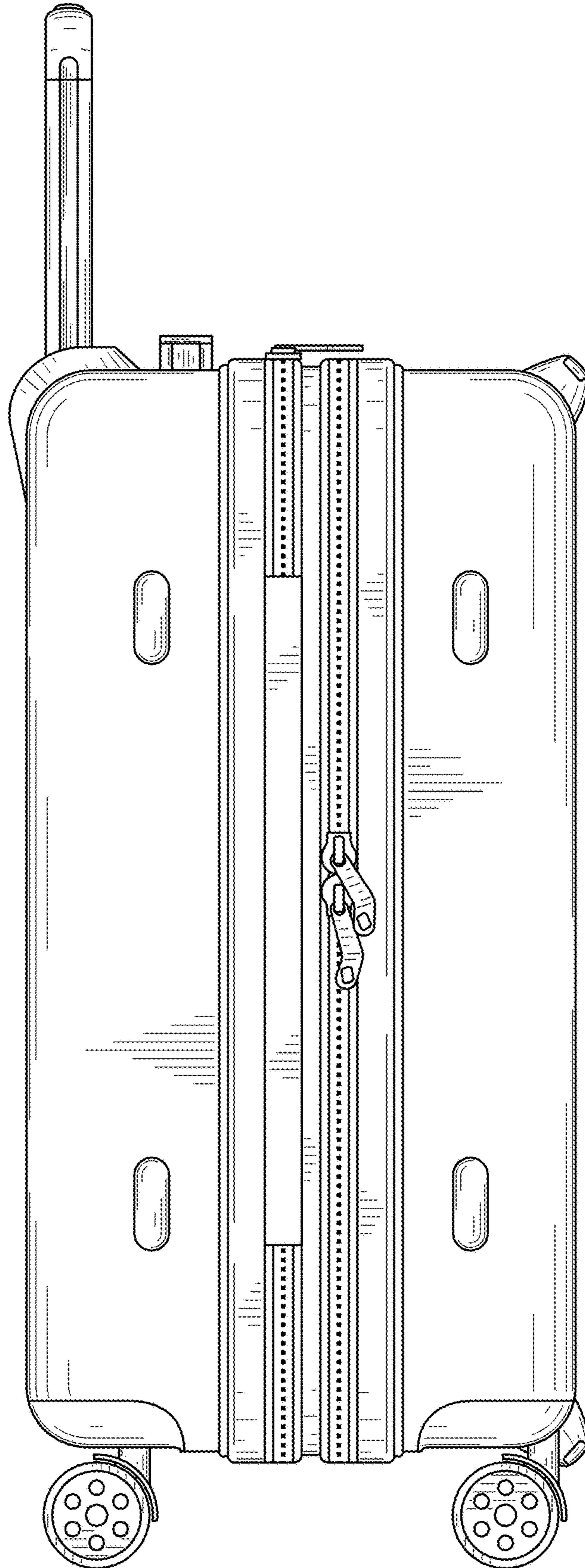


FIG. 4

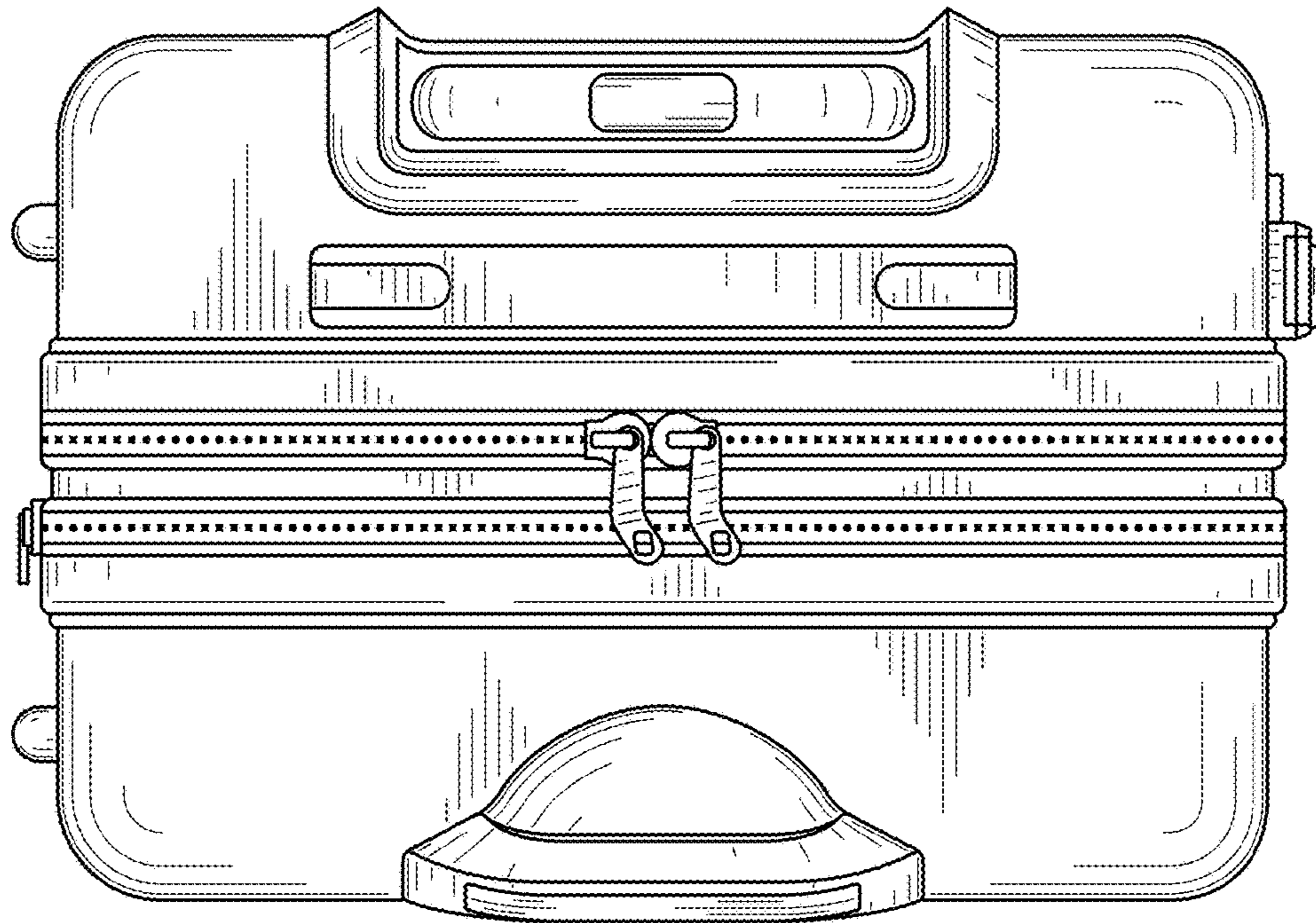


FIG. 5

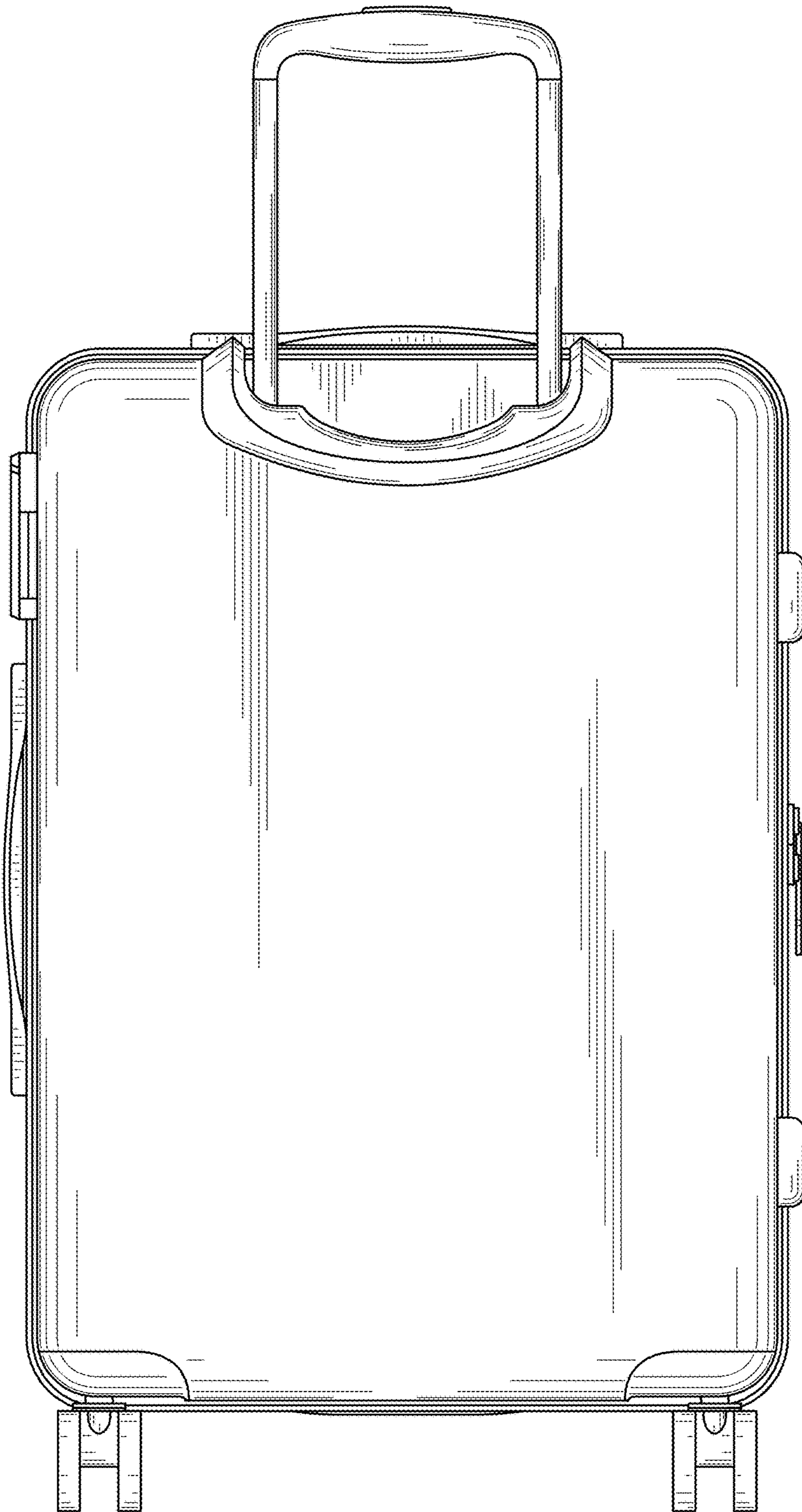


FIG. 6

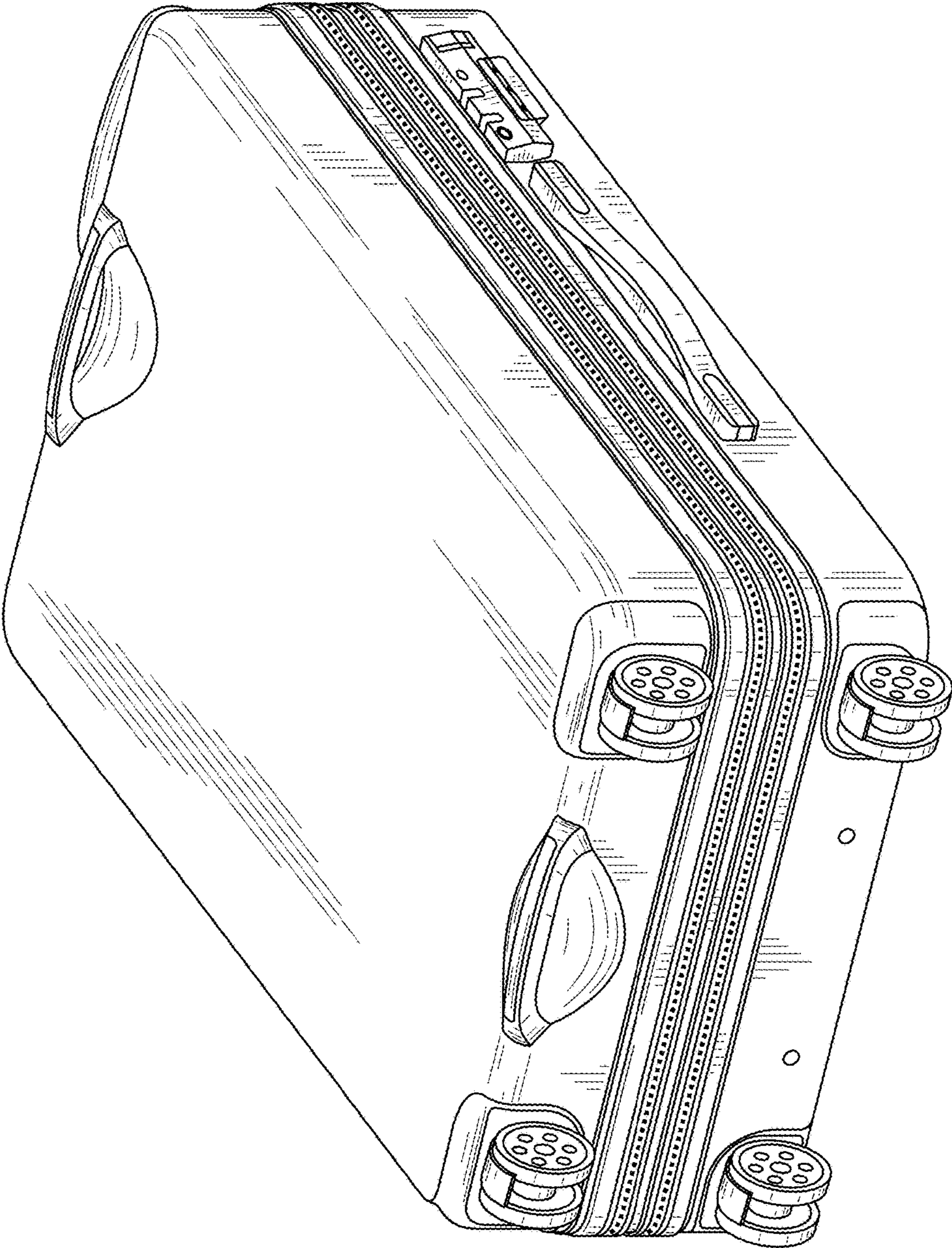


FIG. 7

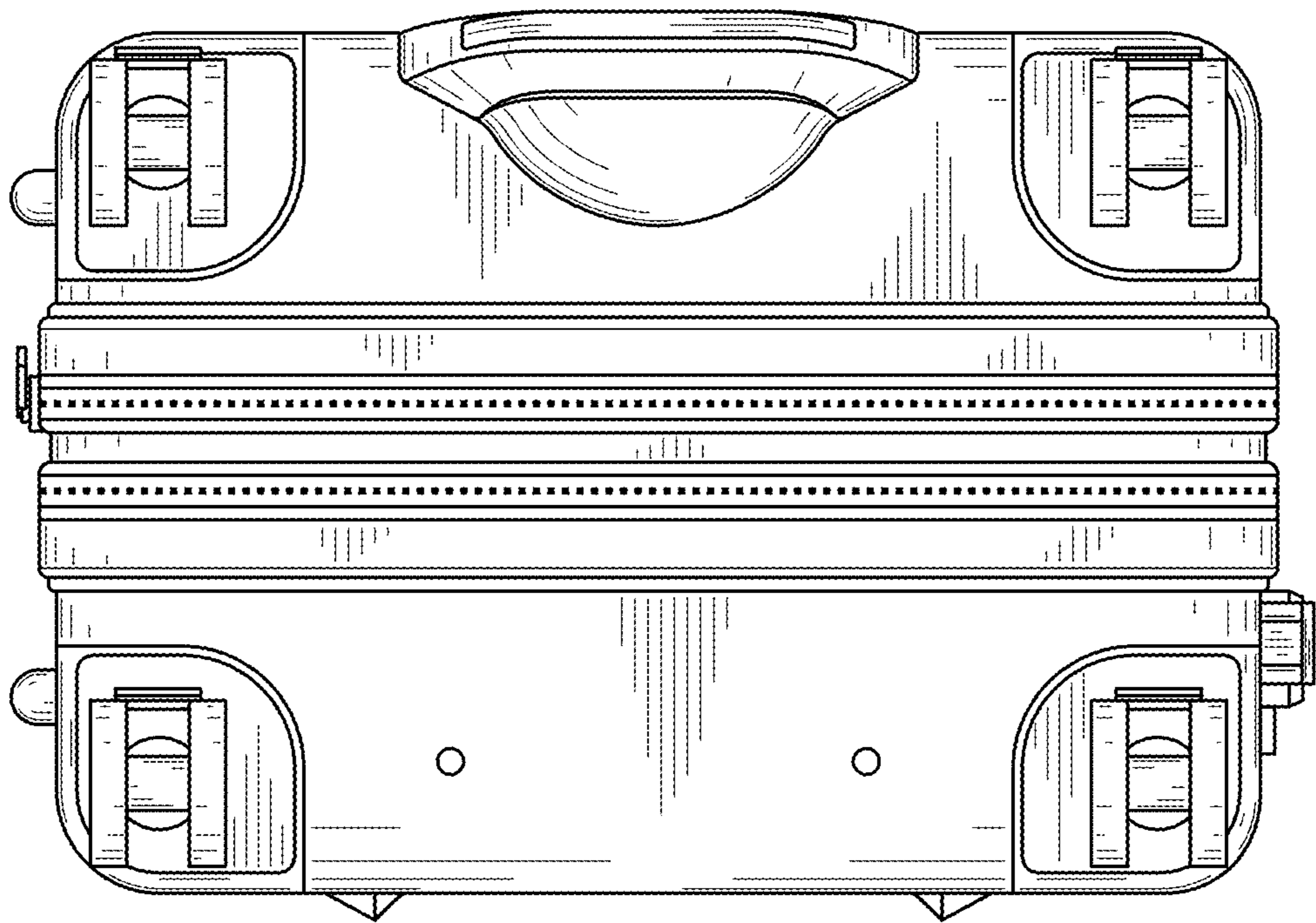


FIG. 8

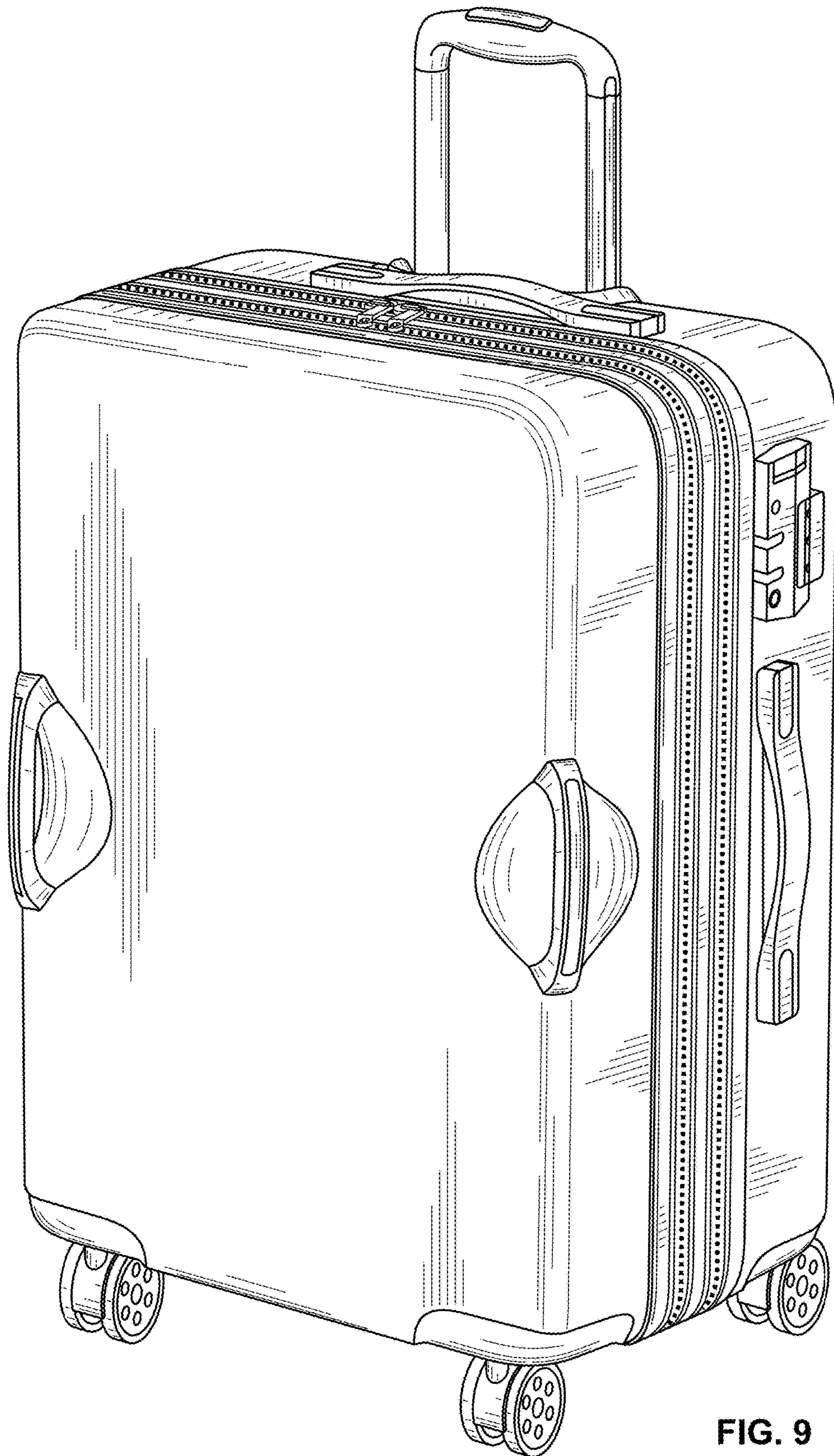


FIG. 9

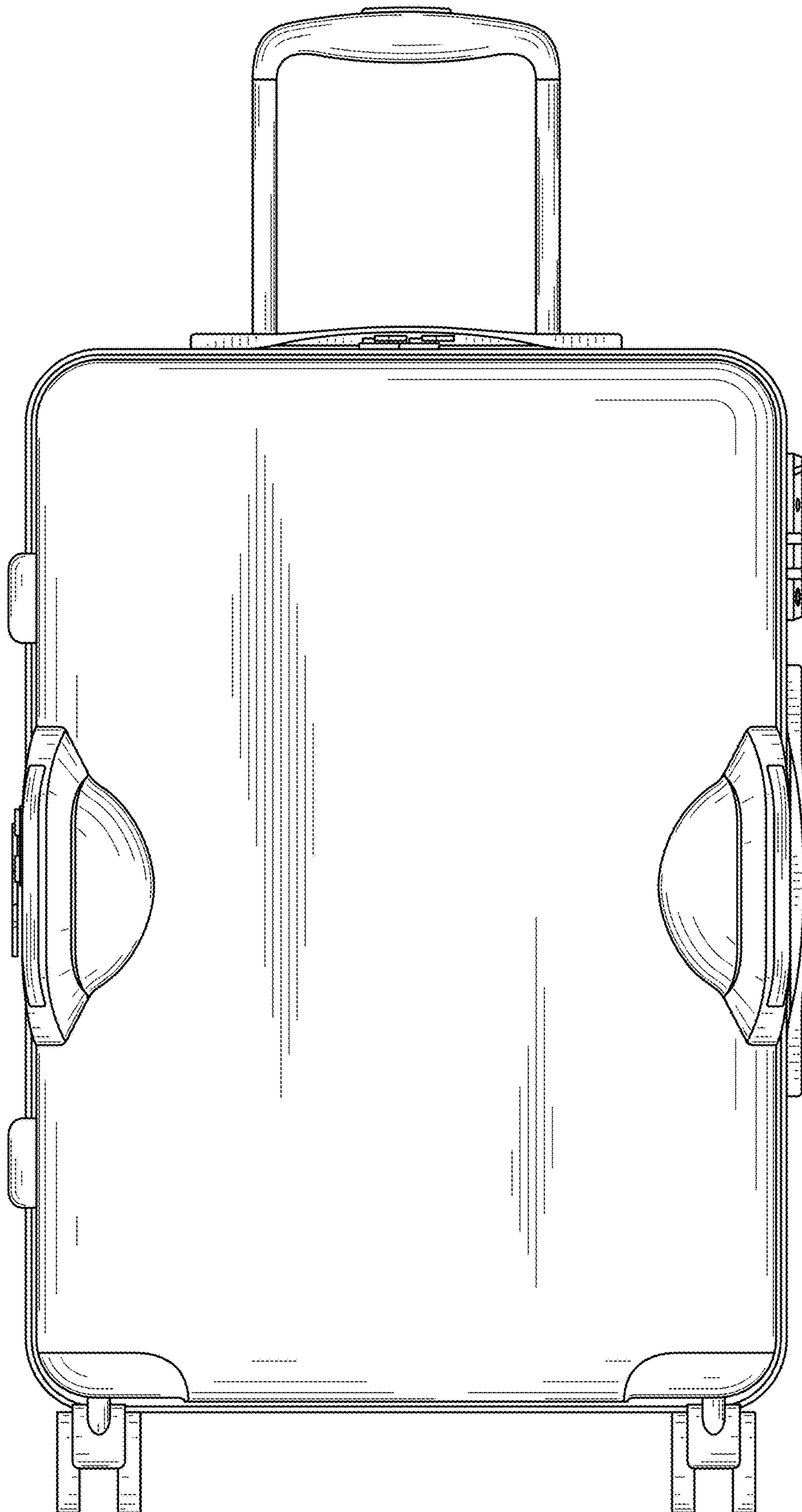


FIG. 10

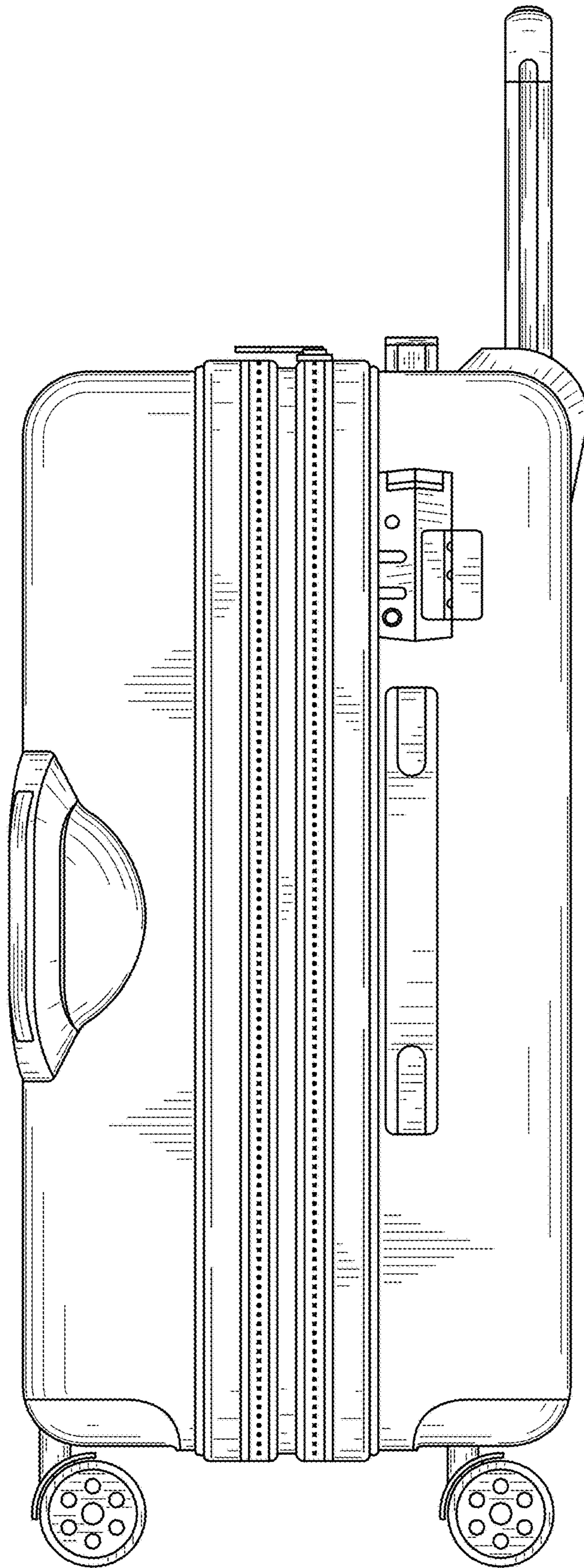


FIG. 11

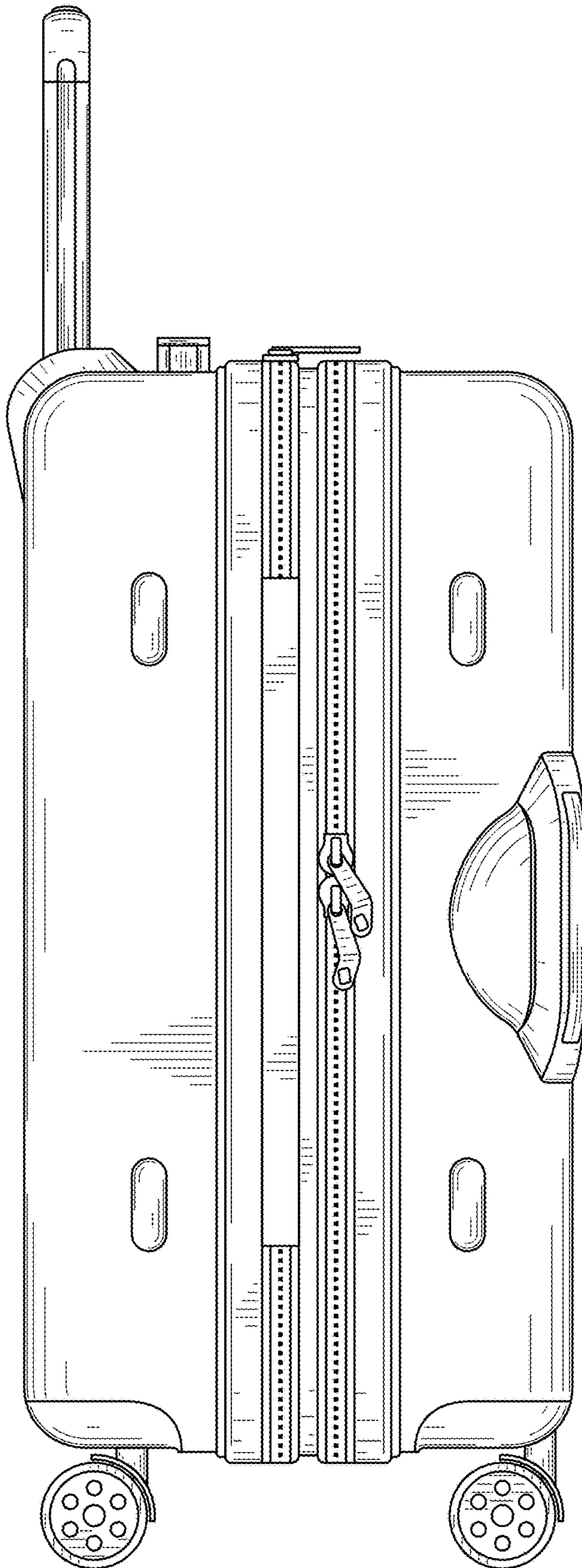


FIG. 12

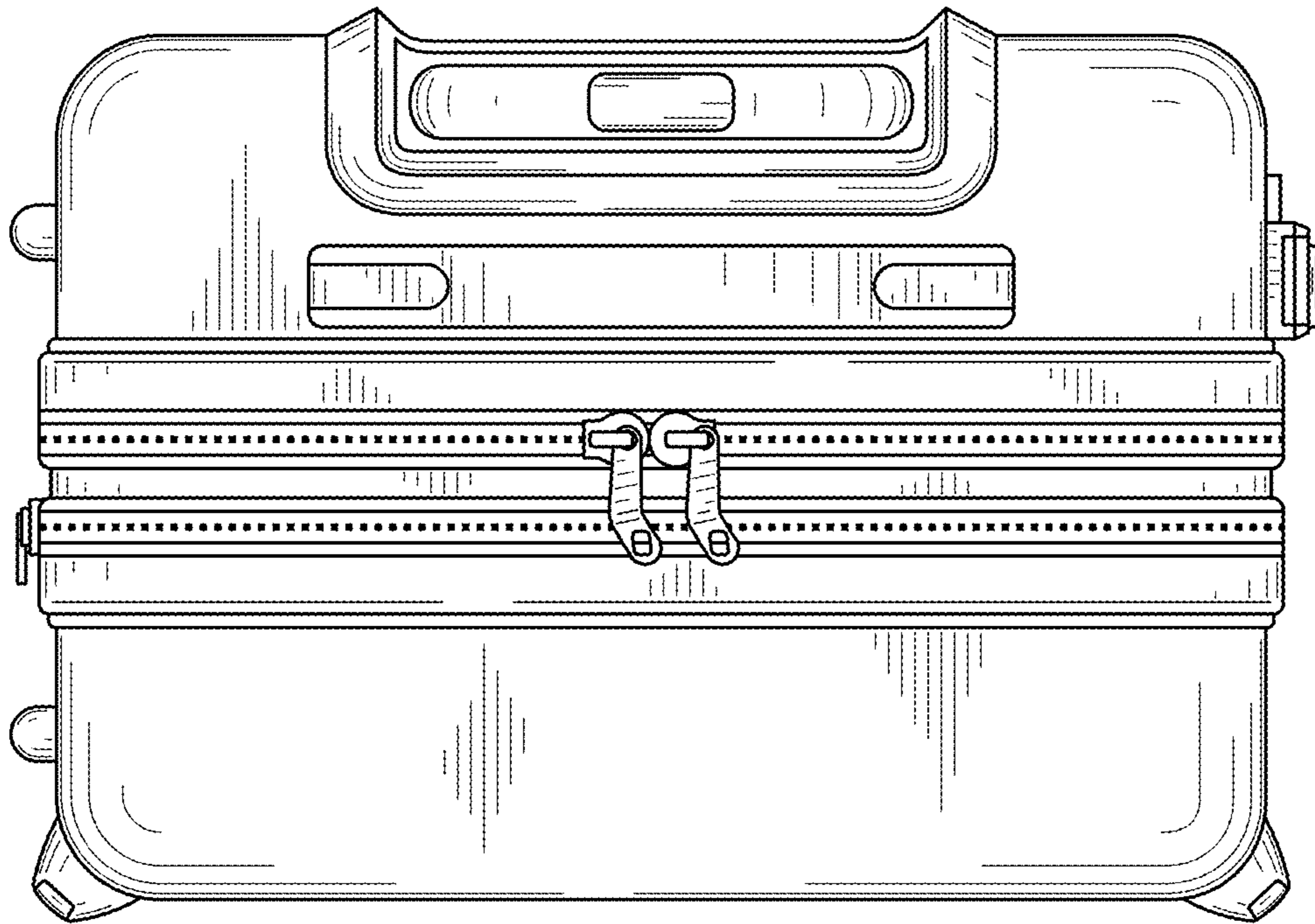


FIG. 13

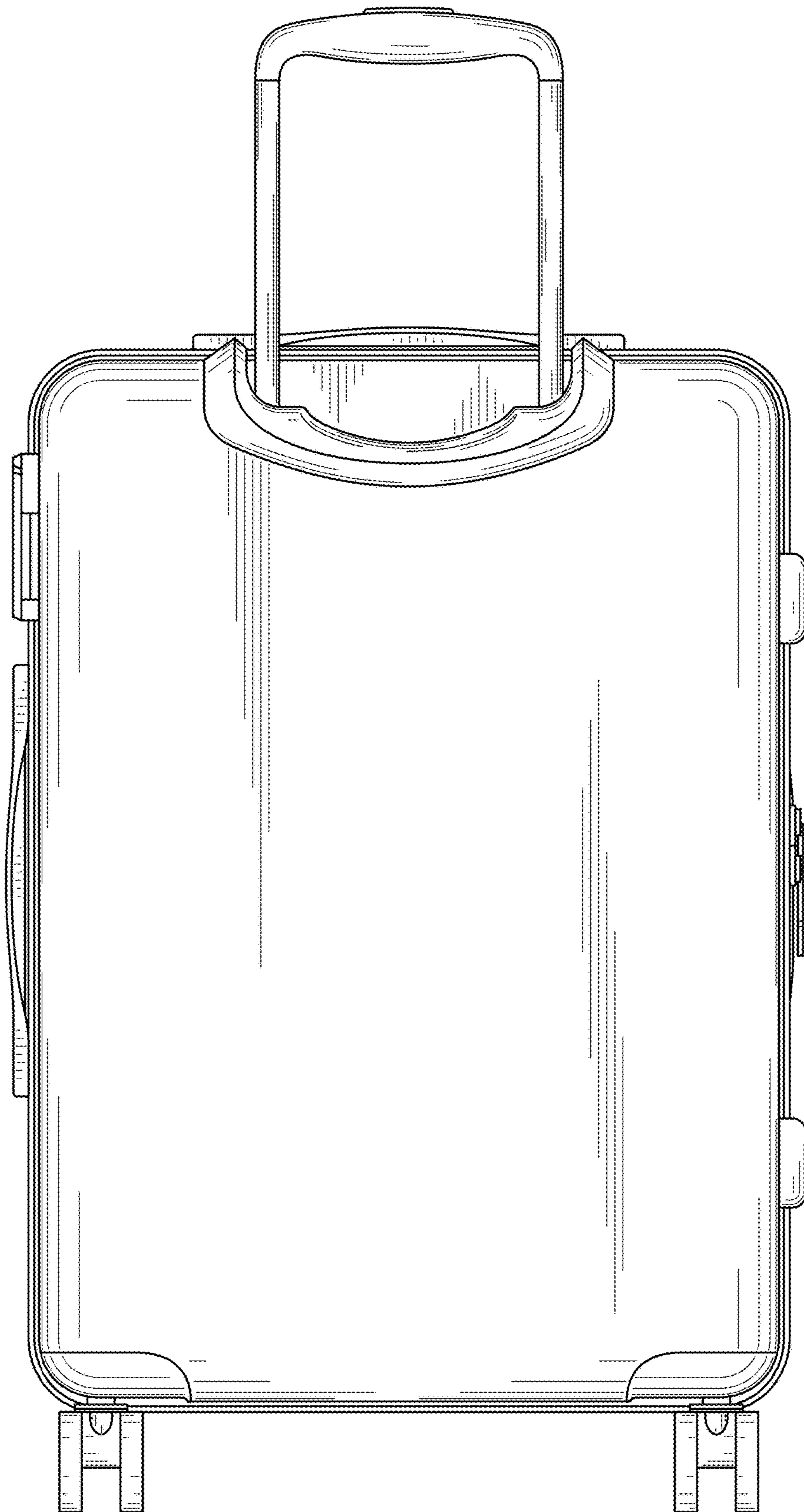


FIG. 14

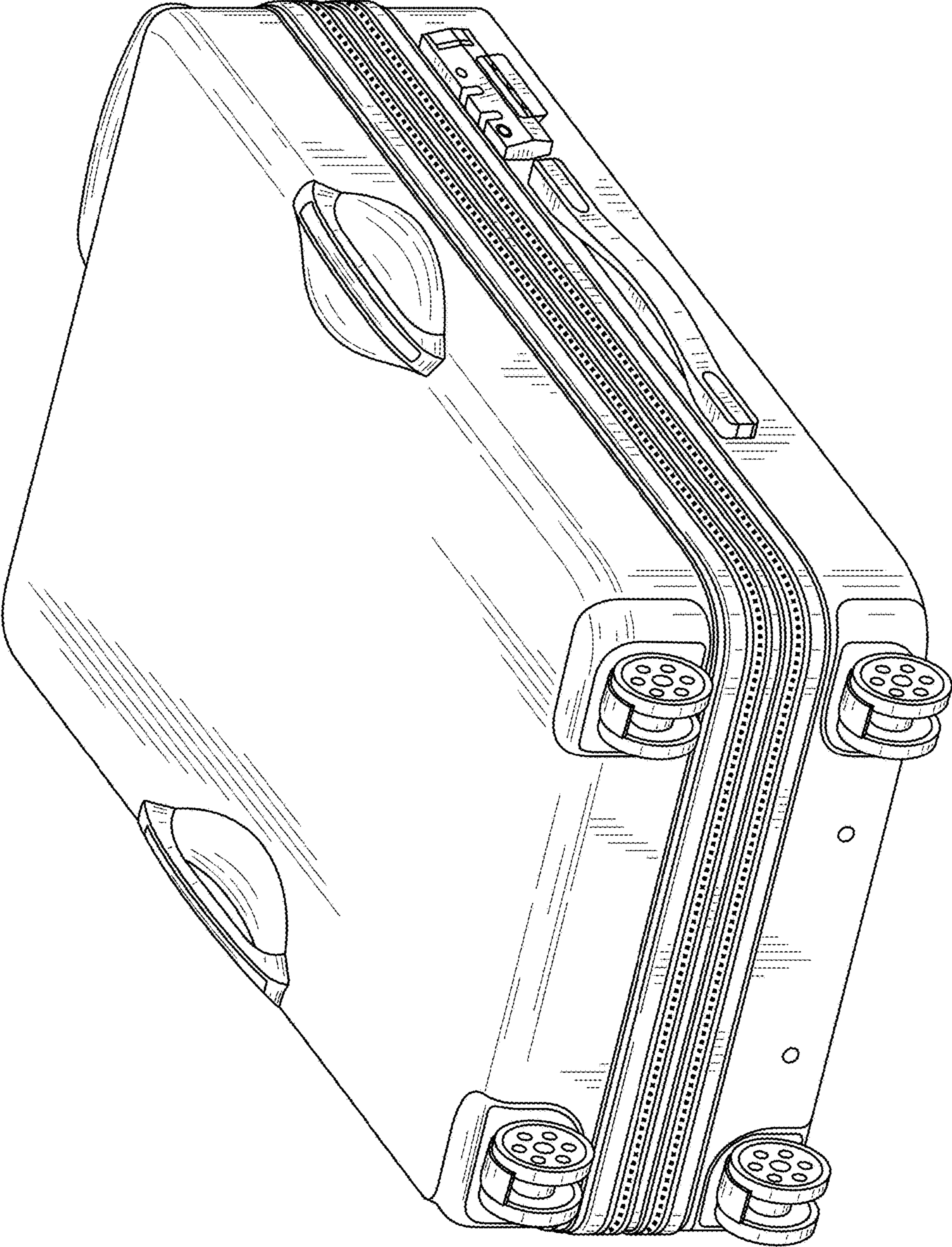


FIG. 15

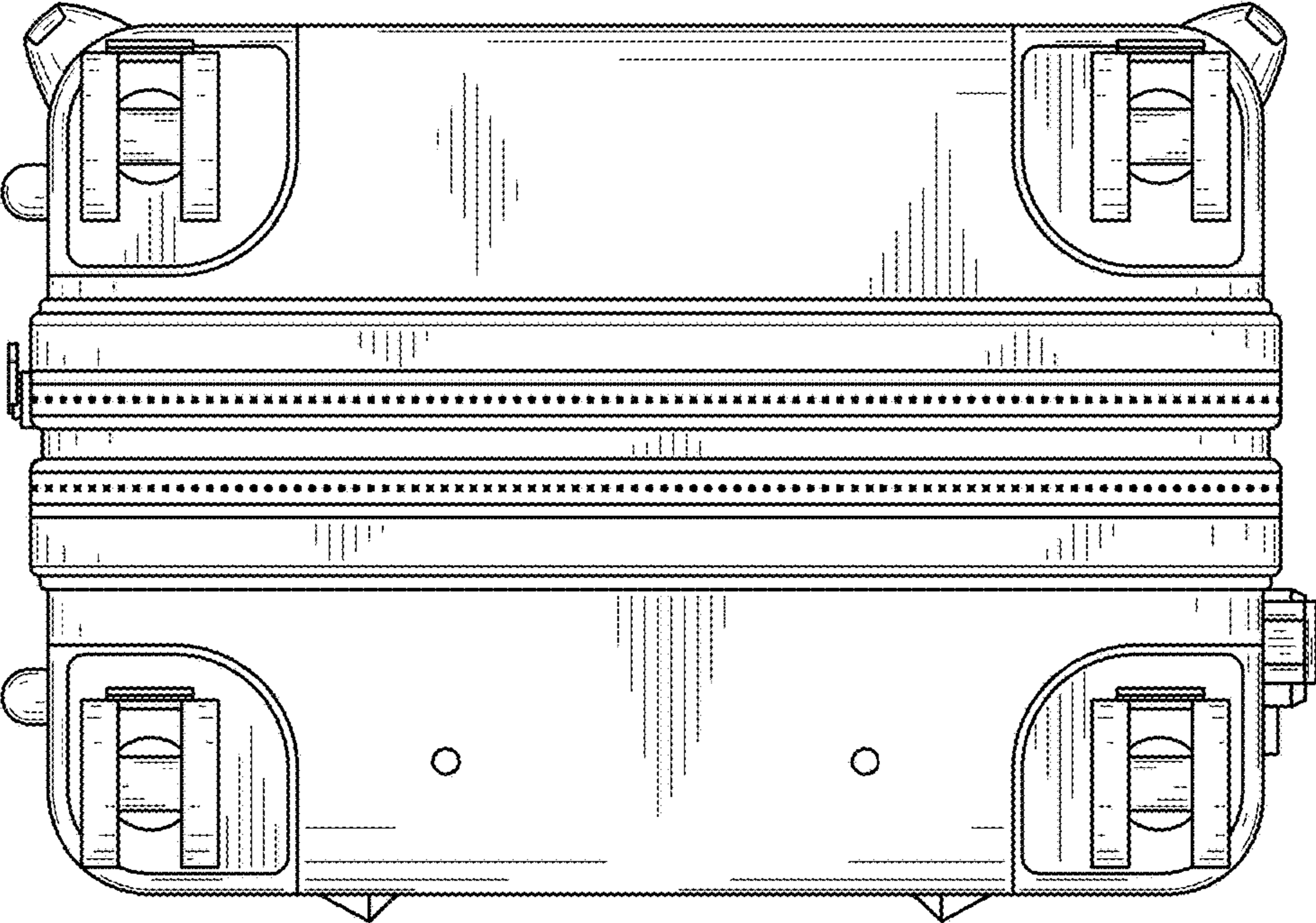


FIG. 16