



US00D820593S

(12) **United States Design Patent**
Harrison et al.

(10) **Patent No.:** **US D820,593 S**
(45) **Date of Patent:** **** Jun. 19, 2018**

(54) **CASE FOR LENSES**

- (71) Applicant: **CooperVision International Holding Company, LP**, St. Michael (BB)
- (72) Inventors: **Glenn Harrison**, Andover (GB); **Gary Hunt**, Bristol (GB); **Matthew Sultan Yan**, Bristol (GB)
- (73) Assignee: **CooperVision International Holding Company, LP**, St. Michael (BB)
- (**) Term: **15 Years**

- (21) Appl. No.: **29/582,504**
- (22) Filed: **Oct. 28, 2016**
- (51) **LOC (11) Cl.** **03-01**
- (52) **U.S. Cl.**
USPC **D3/264**
- (58) **Field of Classification Search**
USPC D3/219, 252, 263–265; 206/5, 5.1, 6
CPC A45C 11/04; A45C 11/005; A45C 11/38;
A45C 11/06; A45C 2011/001; G02C
3/04; A47F 7/021

See application file for complete search history.

(56) **References Cited**

U.S. PATENT DOCUMENTS

3,089,500	A	5/1963	Stalcup	
3,460,552	A *	8/1969	Sturgeon	A45C 11/005 134/135
3,856,571	A	12/1974	Sherman	
4,091,917	A	5/1978	Clawson et al.	
4,328,890	A *	5/1982	Thomas	A45C 11/005 134/901
4,337,858	A *	7/1982	Thomas	A45C 11/005 134/137
D267,652	S *	1/1983	Thomas	206/5.1
4,406,362	A	9/1983	Thomas et al.	
4,823,944	A	4/1989	Ryder	
5,129,999	A	7/1992	Holland et al.	

(Continued)

FOREIGN PATENT DOCUMENTS

- CN 204769688 * 11/2015 B08B 3/08
- CN 204964930 * 1/2016 G02C 13/00

(Continued)

OTHER PUBLICATIONS

Captain America White Blue Contact Lens Case, Lenskart.com, [online], [site visited Oct. 6, 2017]. <URL: <http://www.lenskart.com/lenskart-captain-america-white-blue-contact-lens-case-contents-1-picker-1-solutions-bottle-lens-case-outer-box.html>> (Year: 2017).*

(Continued)

Primary Examiner — T. Chase Nelson
Assistant Examiner — Jonathan J. Han
(74) *Attorney, Agent, or Firm* — Kilyk & Bowersox, P.L.L.C.

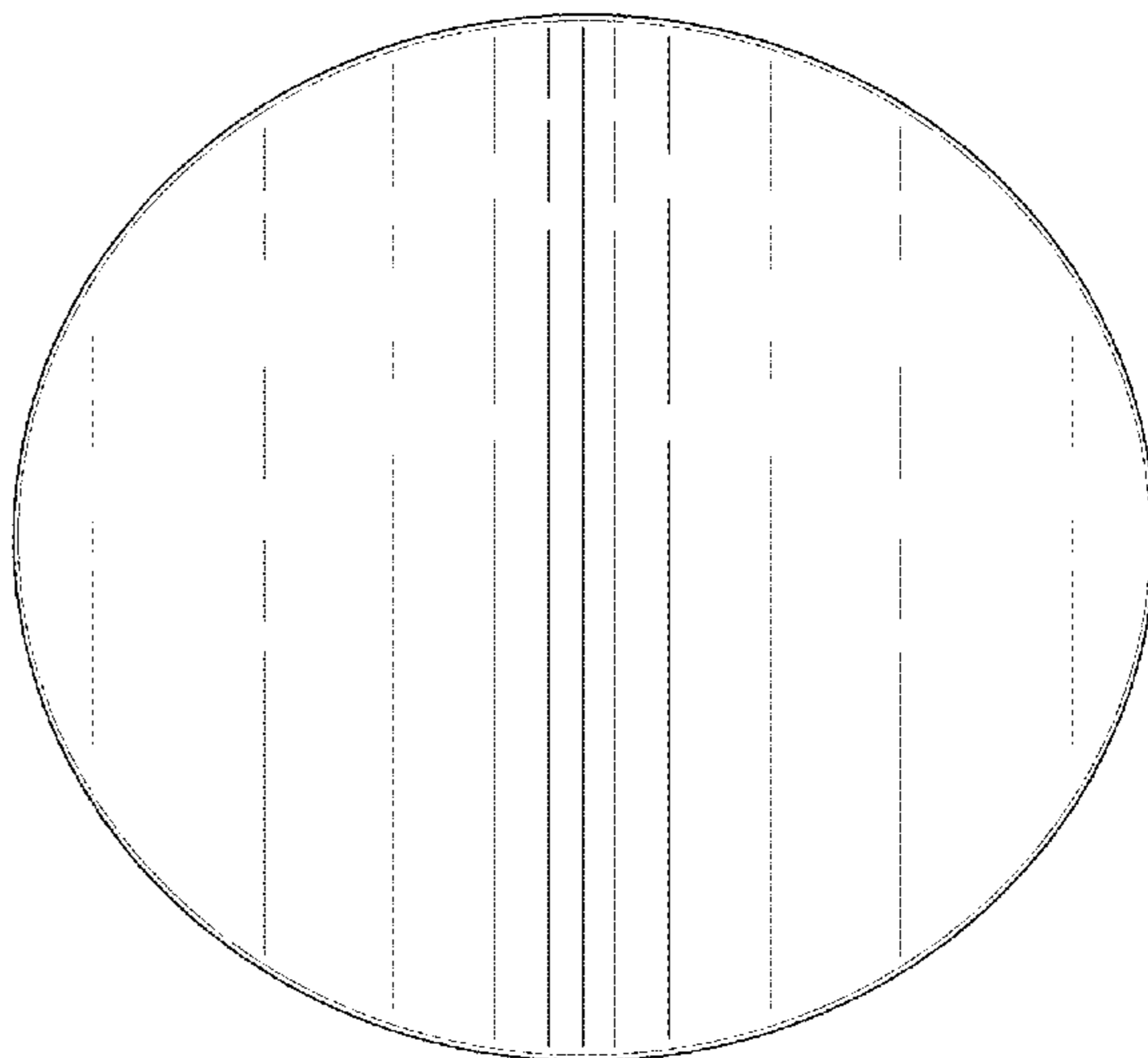
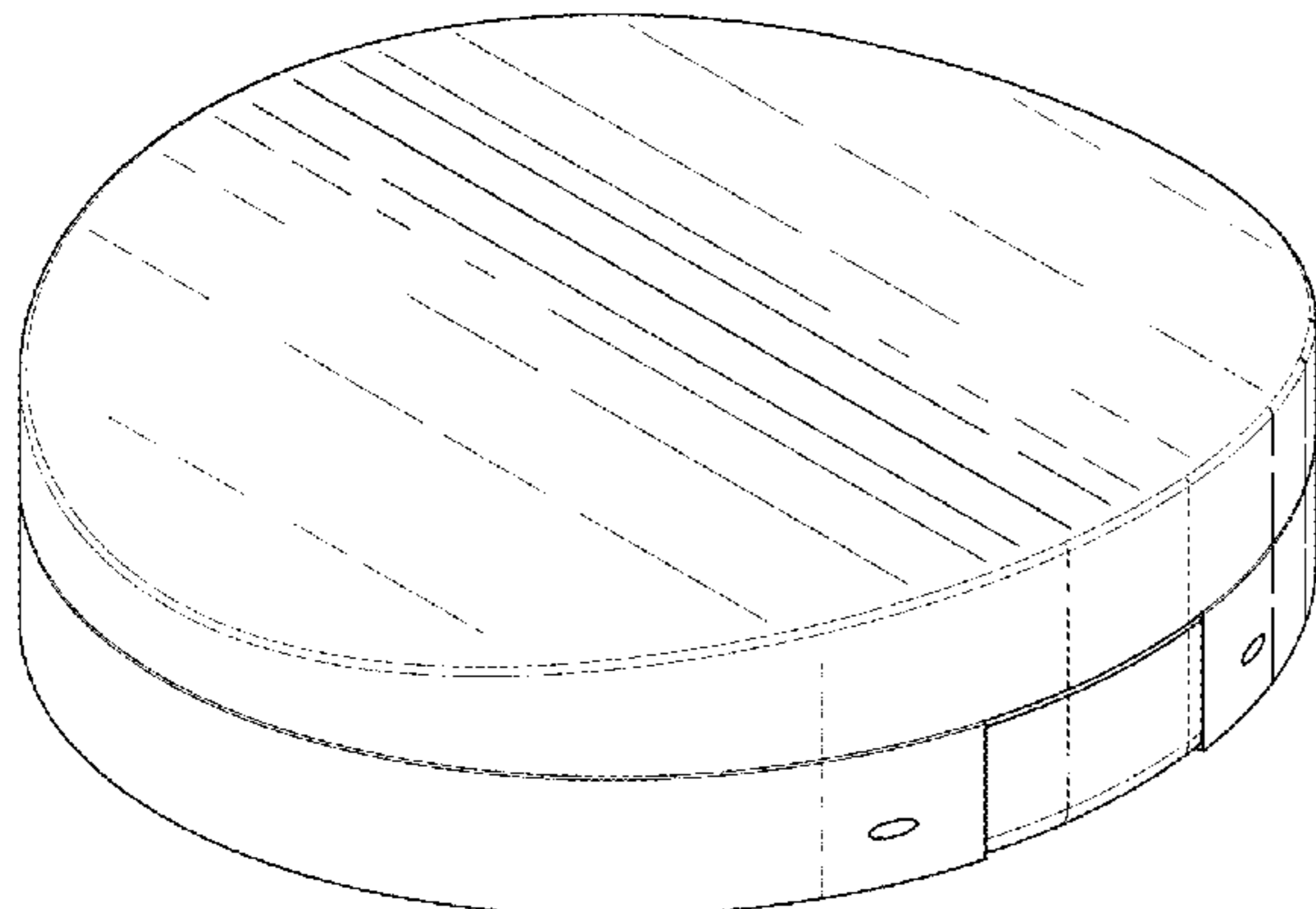
(57) **CLAIM**

The ornamental design for a case for lenses, as shown and described.

DESCRIPTION

FIG. 1 is a perspective view as viewed from the front and top direction of the case for lenses, showing our new design; FIG. 2 is a perspective view as viewed from the rear and top direction thereof; FIG. 3 is a top view thereof; FIG. 4 is a bottom view thereof; FIG. 5 is a front view thereof; FIG. 6 is a rear view thereof; FIG. 7 is a right side view thereof; and, FIG. 8 is a left side view thereof. The broken lines in the drawings are used to illustrate unclaimed parts of the invention and form no part of the claimed design.

1 Claim, 6 Drawing Sheets



(56)

References Cited

U.S. PATENT DOCUMENTS

5,131,532 A * 7/1992 Ives A45C 11/005
206/210
D342,808 S * 12/1993 Bakic D28/82
5,297,687 A 3/1994 Freed
5,365,630 A 11/1994 Beckrich
5,375,699 A * 12/1994 Amend A45C 11/005
134/901
5,439,572 A 8/1995 Pankow
5,792,012 A * 8/1998 Dudley A63B 67/14
473/588
D405,606 S * 2/1999 Merritt D3/254
5,871,702 A 2/1999 Kutner et al.
D408,591 S * 4/1999 Litton D28/82
6,244,430 B1 6/2001 Travis
D449,523 S * 10/2001 Kaplan D9/503
D460,218 S * 7/2002 Thorpe D28/82
D463,628 S * 9/2002 Thorpe D28/82
D468,058 S * 12/2002 Thorpe D28/82
6,868,963 B2 3/2005 Borovsky
D507,078 S * 7/2005 Greenfield D28/82
D515,426 S * 2/2006 Pace D9/504
D524,989 S * 7/2006 Lombardi D28/82
D582,273 S * 12/2008 Vogel D9/449
D622,003 S * 8/2010 Naughton D28/82
D626,289 S * 10/2010 Lee D28/82
D640,545 S * 6/2011 Gibson D9/428
8,015,987 B2 9/2011 Zakutin
D649,781 S * 12/2011 Nathanson D3/264
D650,269 S * 12/2011 Berggren D9/423
8,069,979 B2 12/2011 Newman et al.
D651,519 S * 1/2012 Gibson D9/428
D660,693 S * 5/2012 Berggren D9/421
8,215,482 B2 * 7/2012 Cronin A24F 23/00
206/236
D664,840 S * 8/2012 Jones D9/423
D681,936 S * 5/2013 Basas D3/203.2
8,701,881 B2 * 4/2014 Gibson A24F 23/00
206/236
D707,039 S * 6/2014 Zerlin D3/203.2

D718,528 S * 12/2014 Garavaglia D3/264
D723,274 S * 3/2015 Almanaseer D3/264
D756,790 S * 5/2016 Henriksson D9/504
D773,302 S * 12/2016 Henriksson D9/451
D797,449 S * 9/2017 Peng D3/301
2005/0133382 A1 6/2005 Gerard et al.

FOREIGN PATENT DOCUMENTS

DE 9216029 U1 1/1993
JP H07237682 A 9/1995
WO 2013182849 A1 12/2013

OTHER PUBLICATIONS

Round White Contact Lens Mirror Case Ideal Travel Kit, NeonMegastore.com, [online], [site visited Oct. 6, 2017]. <URL: <http://www.neonmegastore.com/round-white-contact-lens-mirror-case-ideal-travel-kit.html>> (Year: 2017).*

Wholesale—Lady Contact Lens Box, DHgate.com, [online], [site visited Oct. 6, 2017]. <URL: <https://www.dhgate.com/product/wholesale-lady-women-perfume-bottle-design/386646799.html#sb3-4-1b;hot|4232234685>> (Year: 2017).*

Single Well Compact w/mirror Item #: 439PE-ES1141, AluminumLipstickCase.com, [online], [site visited Oct. 6, 2017]. <URL: <http://aluminumlipstickcase.com/cosmetic-compact.html>> (Year: 2017).*

Lancome Miracle Cushion Liquid Cushion Compact Foundation, Ulta.com, [online], [site visited Oct. 6, 2017]. <URL: <http://www.ulta.com/miracle-cushion-liquid-cushion-compact-foundation?productId=xlsImpprod12371019#>> (Year: 2017).*

Vintage Antique Style Brass Tobacco Snuff or Pill Box Ring Container Box, EarlyHomeDecor.com, [online], [site visited Oct. 6, 2017]. <URL: <https://www.earlyhomedecor.com/collections/snuff-boxes/products/vintage-antique-style-brass-tobacco-snuff-or-pill-box-ring-container-box>> (Year: 2017).*

U.S. Appl. No. 15/335,836, filed Oct. 27, 2016 (53 pages).
Design U.S. Appl. No. 29/582,505, filed Oct. 28, 2016 (7 pages).
Design U.S. Appl. No. 29/582,507, filed Oct. 28, 2016 (15 pages).

* cited by examiner

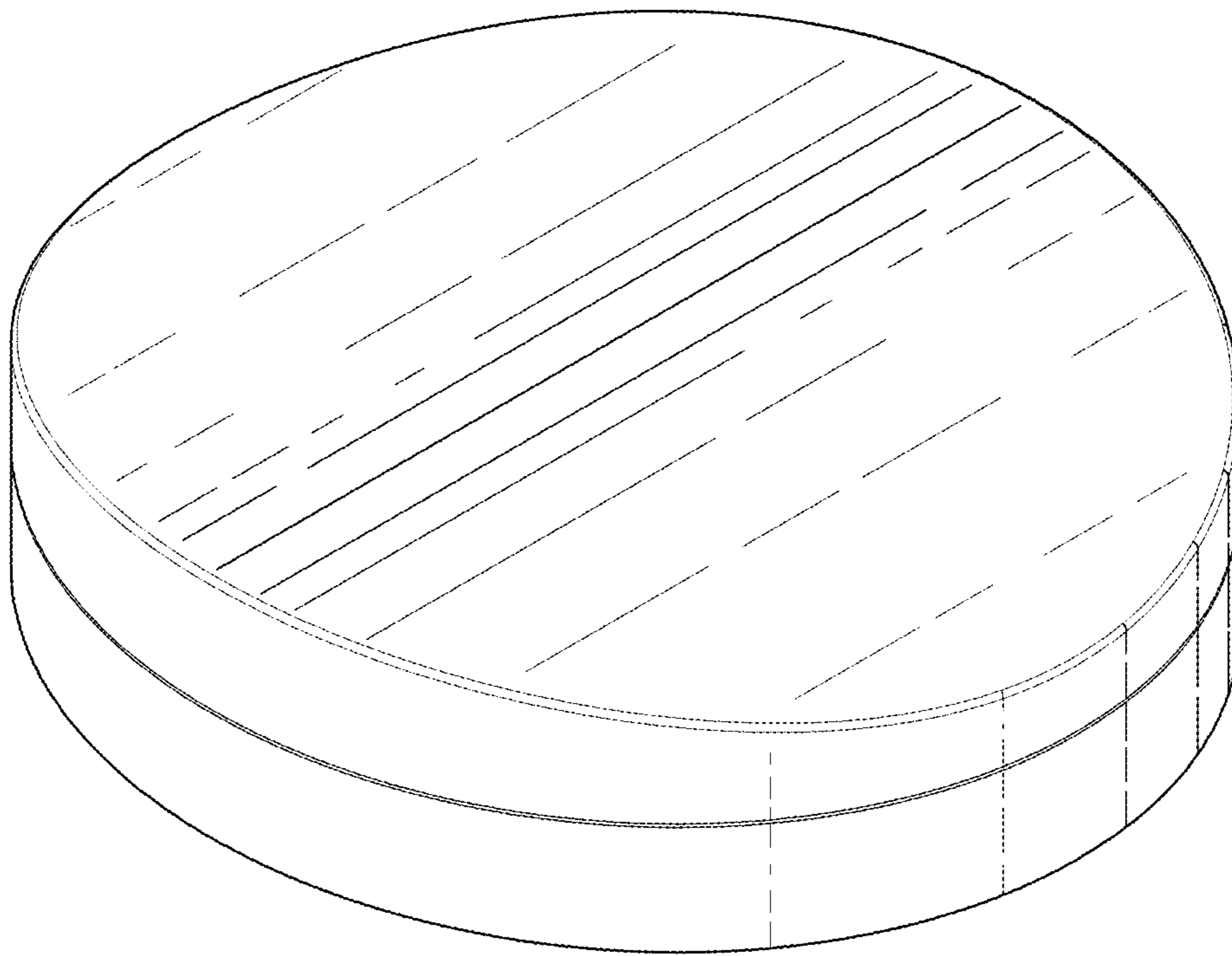


FIG. 1

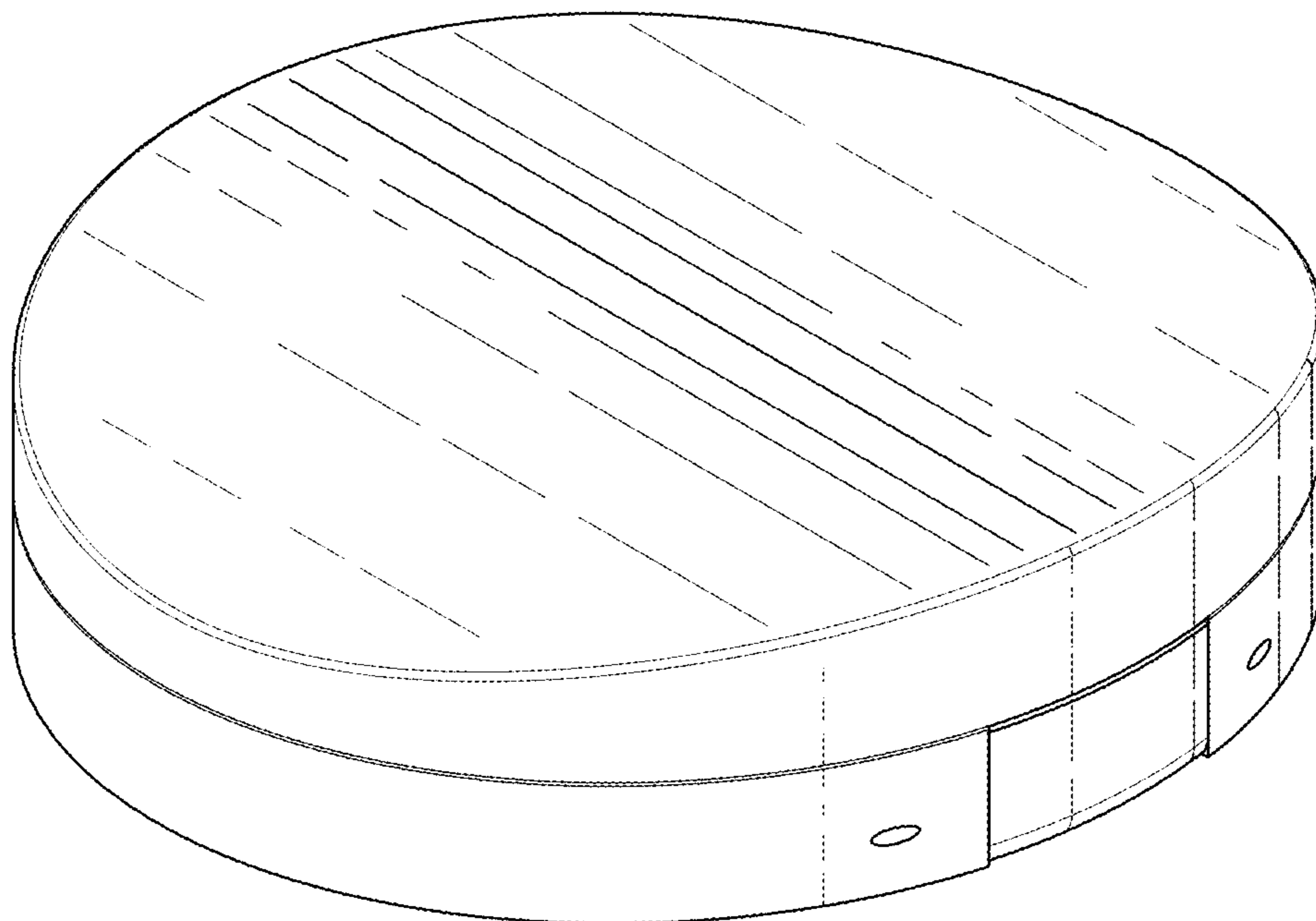


FIG. 2

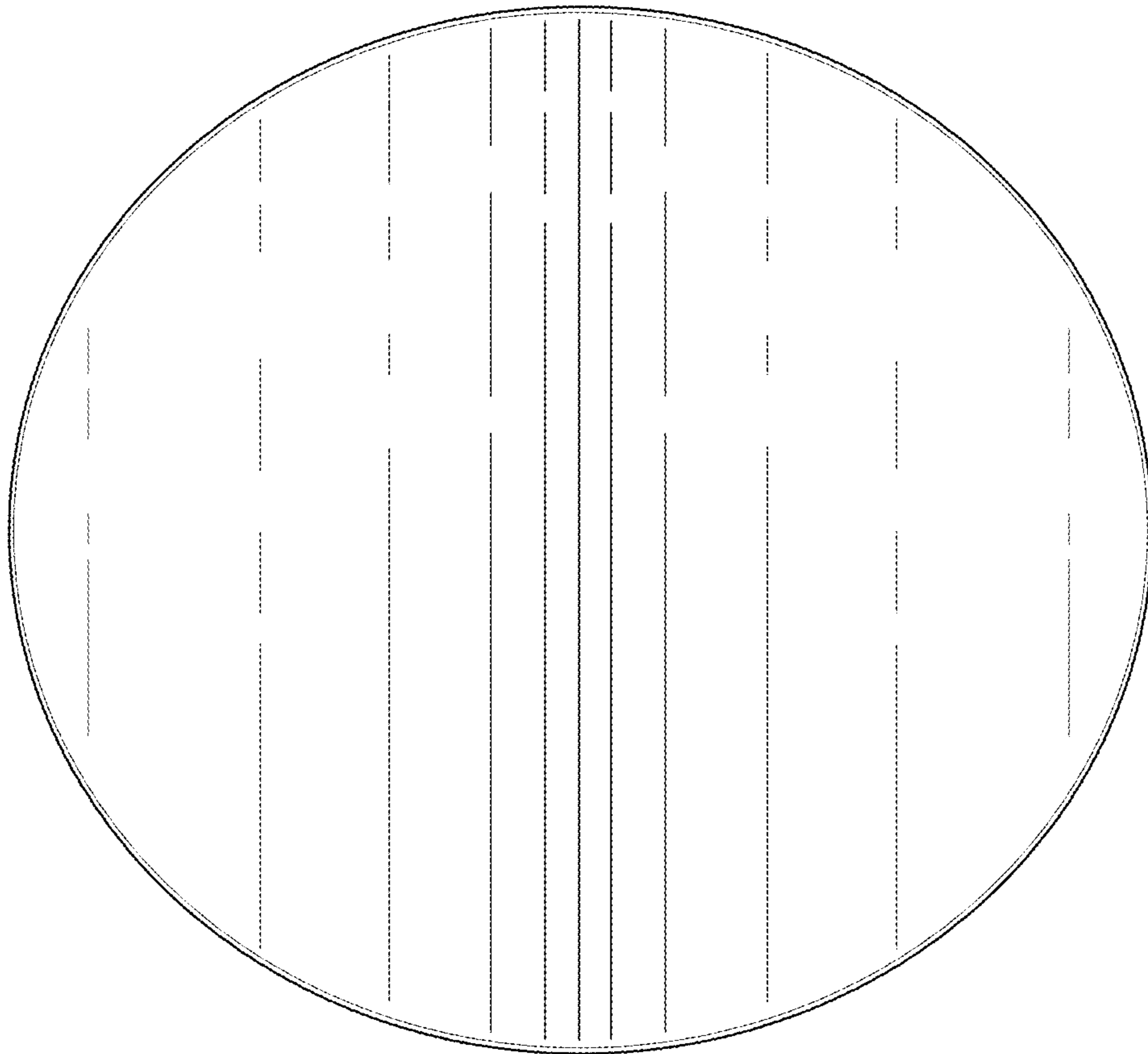


FIG. 3

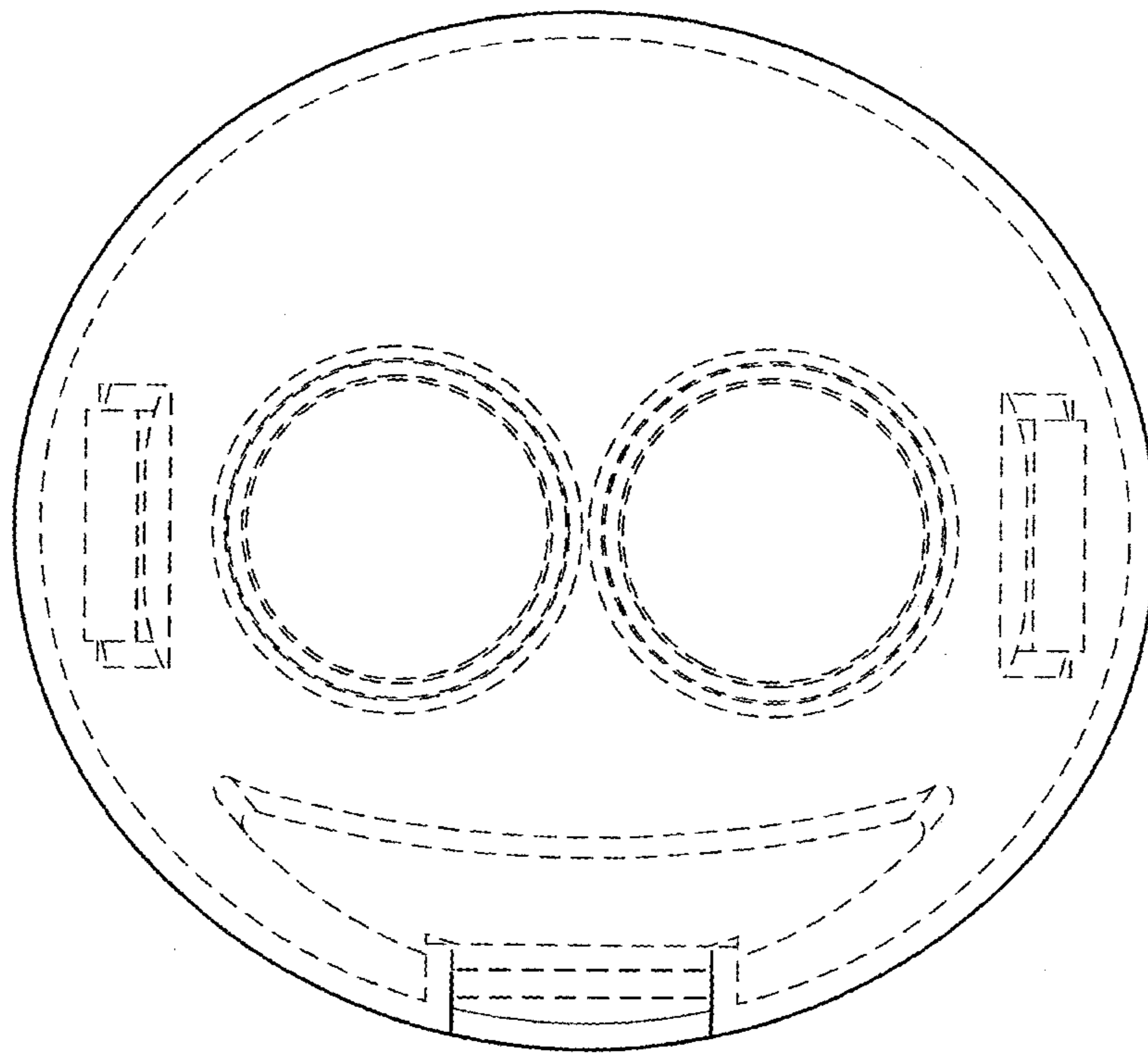


FIG. 4

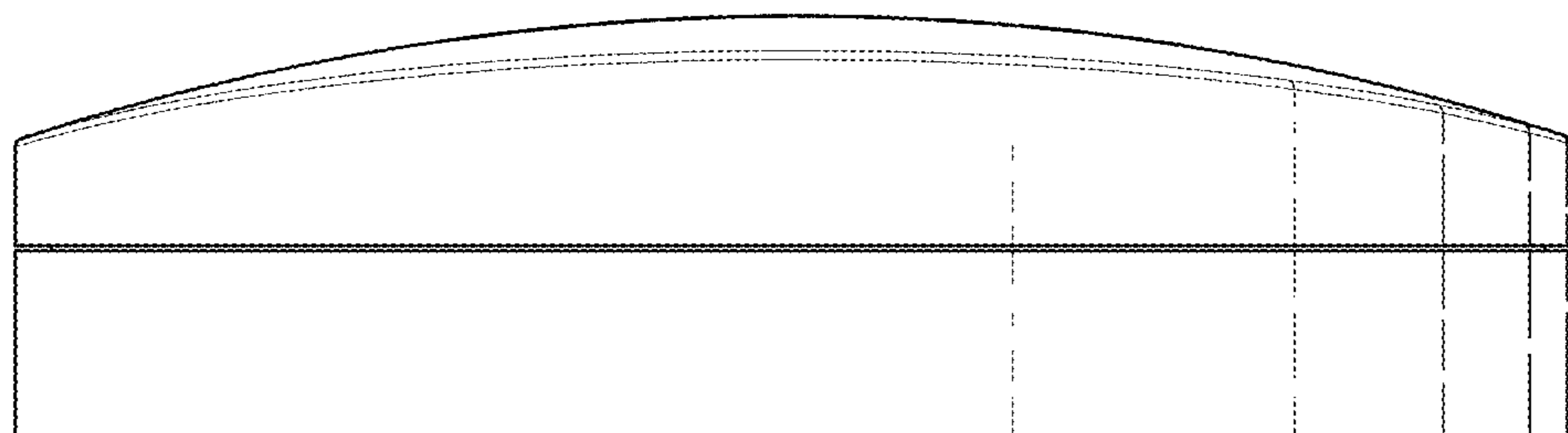


FIG. 5

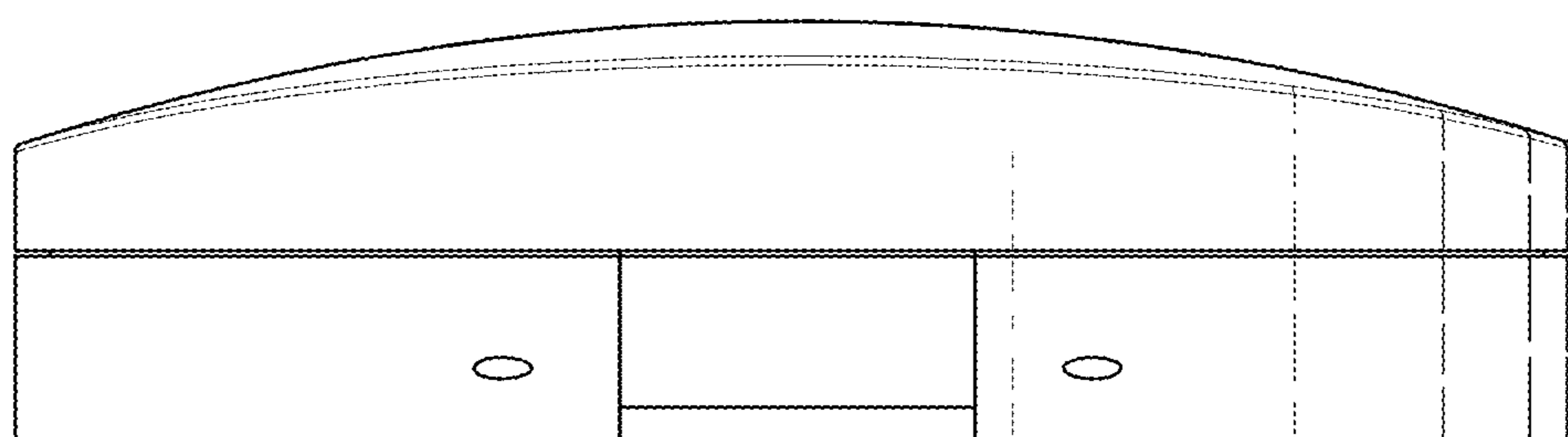


FIG. 6

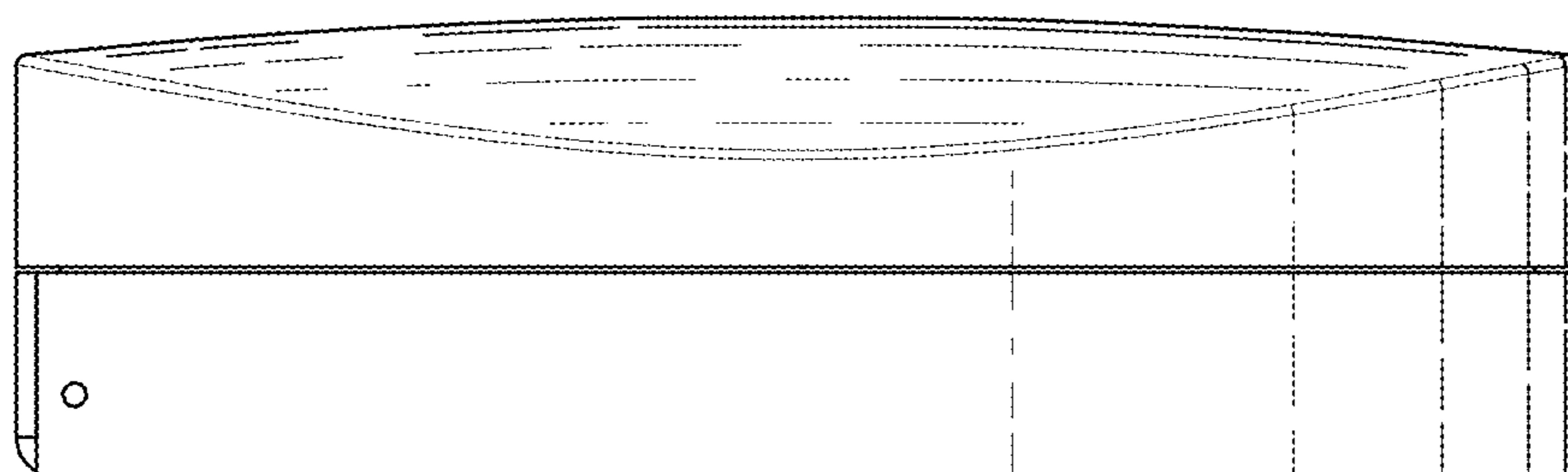


FIG. 7

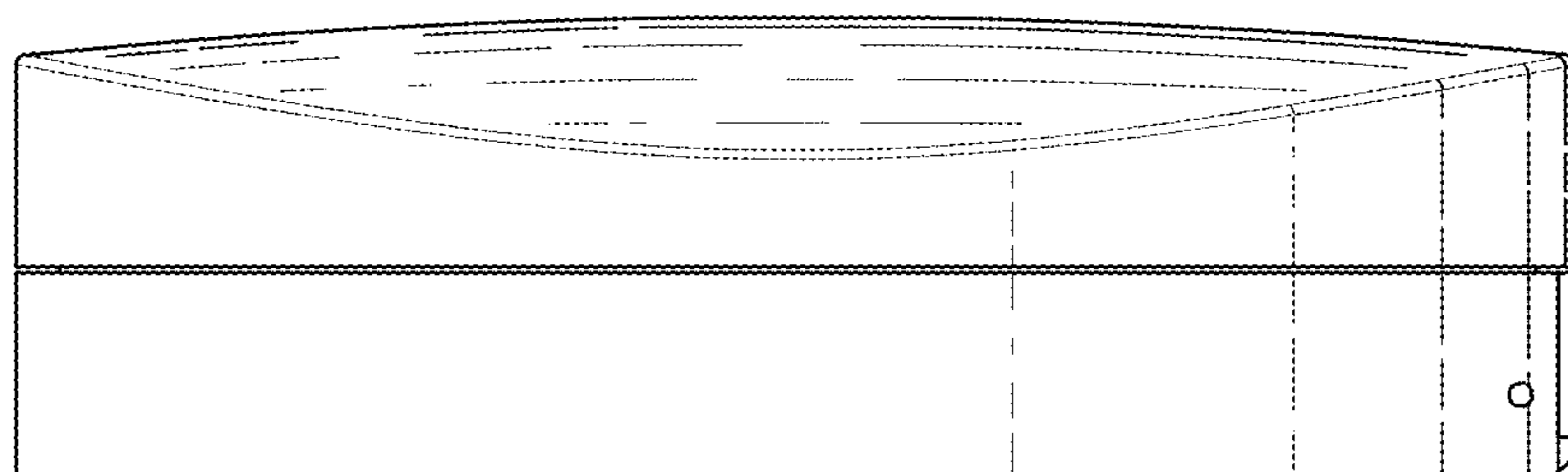


FIG. 8