



US00D820590S

(12) **United States Design Patent**  
**Camerlengo**

(10) **Patent No.:** **US D820,590 S**  
(45) **Date of Patent:** **\*\* Jun. 19, 2018**

(54) **HANDBAG**

D139,382 S \* 11/1944 Hiltenbrand ..... D3/241  
D476,809 S \* 7/2003 Ko ..... D3/232  
D772,565 S \* 11/2016 Gavriel ..... D3/243

(71) Applicant: **TLC HOLDING S.R.L.**, Correggio  
(Reggio Emilia) (IT)

\* cited by examiner

(72) Inventor: **Maria Serena Camerlengo**, Rome (IT)

*Primary Examiner* — Holly H Baynham

(73) Assignee: **FREGOLI S.R.L.**, Correggio (RE) (IT)

(74) *Attorney, Agent, or Firm* — Timothy J. Klima;  
Shuttleworth & Ingersoll, PLC

(\*\*) Term: **15 Years**

(21) Appl. No.: **29/595,980**

(57) **CLAIM**

(22) Filed: **Mar. 3, 2017**

The ornamental design for a handbag, as shown and described.

(30) **Foreign Application Priority Data**

Sep. 7, 2016 (EM) ..... 003369511

(51) **LOC (11) Cl.** ..... **03-01**

(52) **U.S. Cl.**  
USPC ..... **D3/243**

(58) **Field of Classification Search**  
USPC ..... D3/232–233, 240–243, 245–246  
CPC ..... A45C 1/024; A45C 3/06  
See application file for complete search history.

**DESCRIPTION**

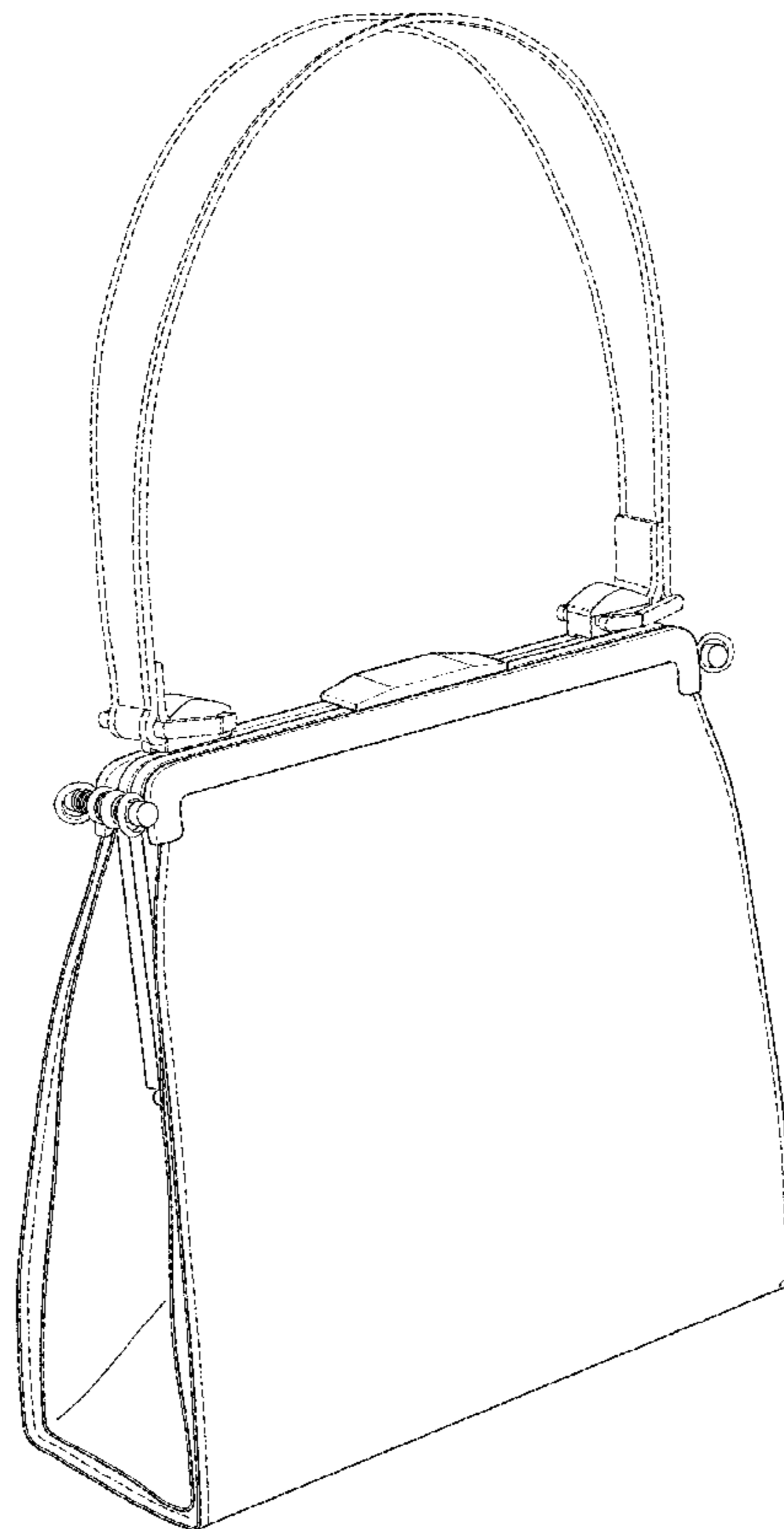
FIG. 1 is a front perspective of the handbag;  
FIG. 2 is a front view thereof;  
FIG. 3 is a right side view thereof;  
FIG. 4 is a left side view thereof.  
FIG. 5 is a back view thereof;  
FIG. 6 is a top view thereof; and,  
FIG. 7 is a bottom view thereof.  
The broken lines in the figures illustrate portions of the handbag that form no part of the claimed design.

(56) **References Cited**

**U.S. PATENT DOCUMENTS**

D109,193 S \* 4/1938 Lewis ..... D3/240

**1 Claim, 5 Drawing Sheets**



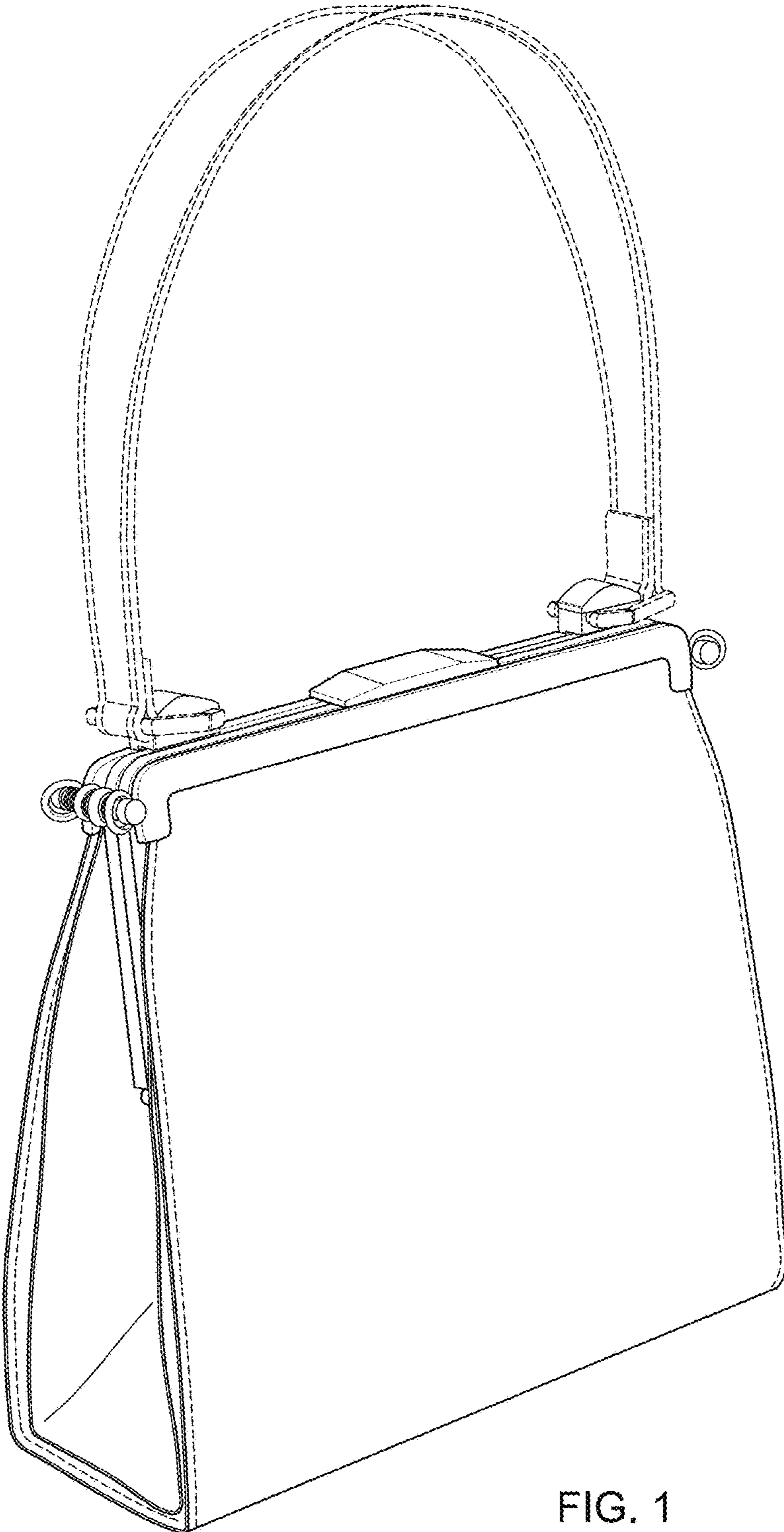


FIG. 1

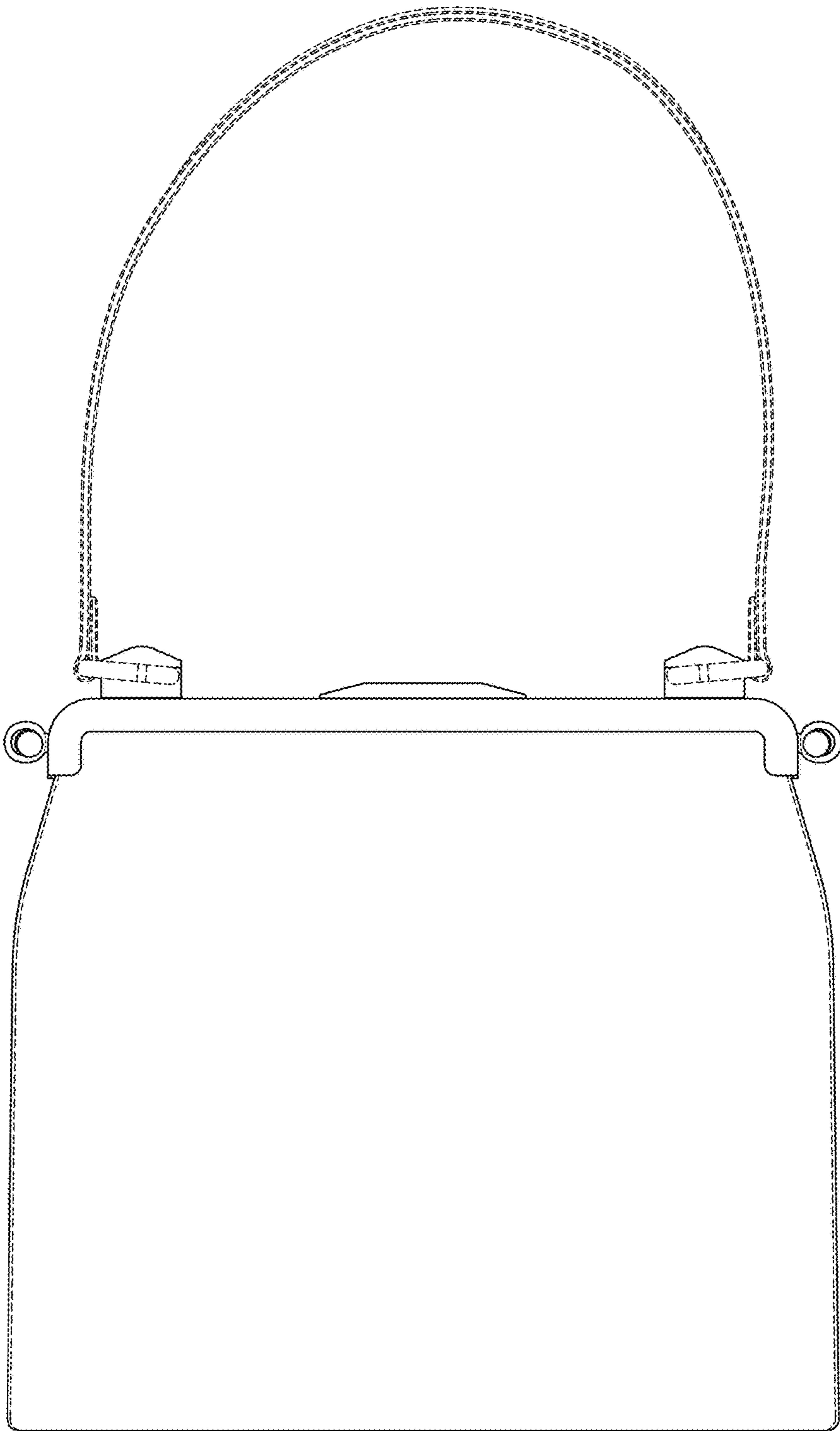


FIG. 2

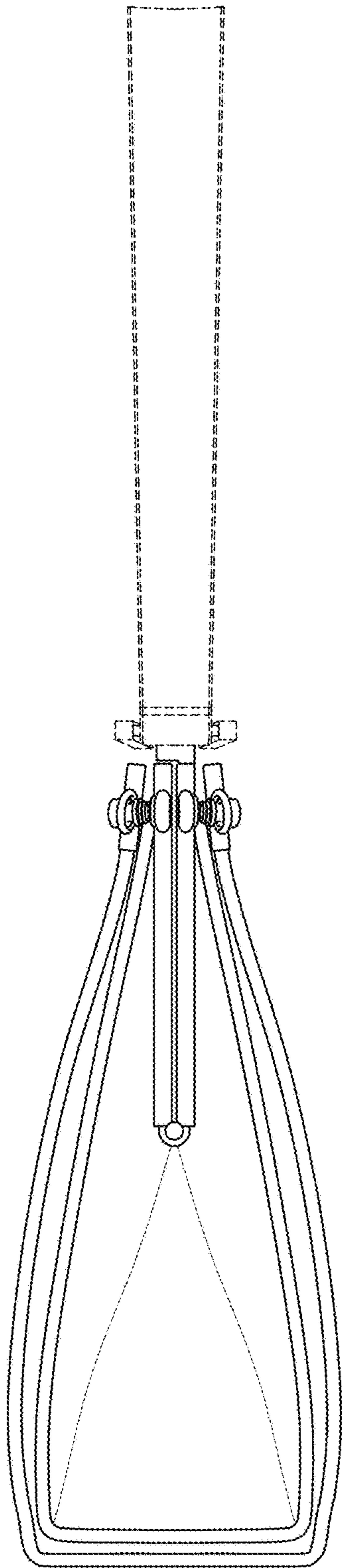


FIG. 3

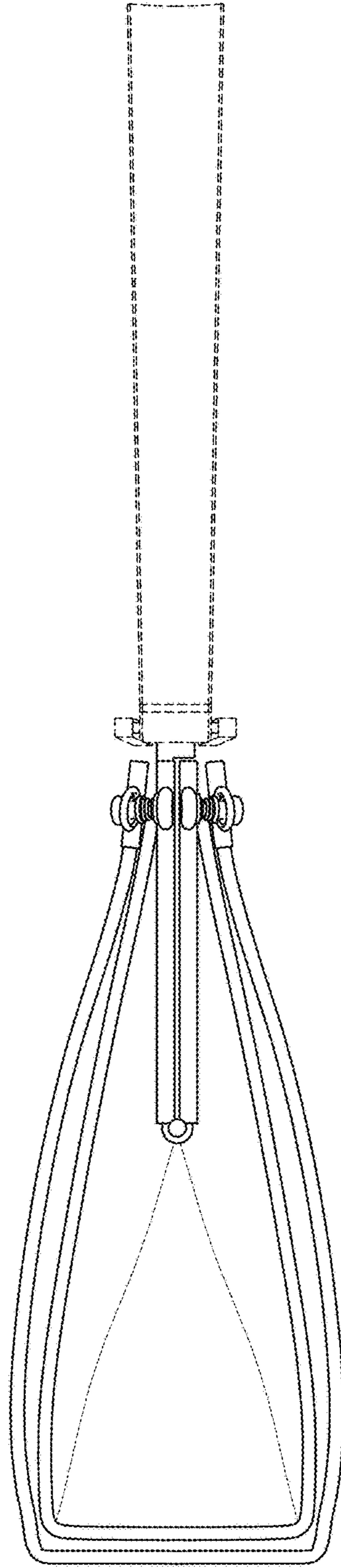


FIG. 4

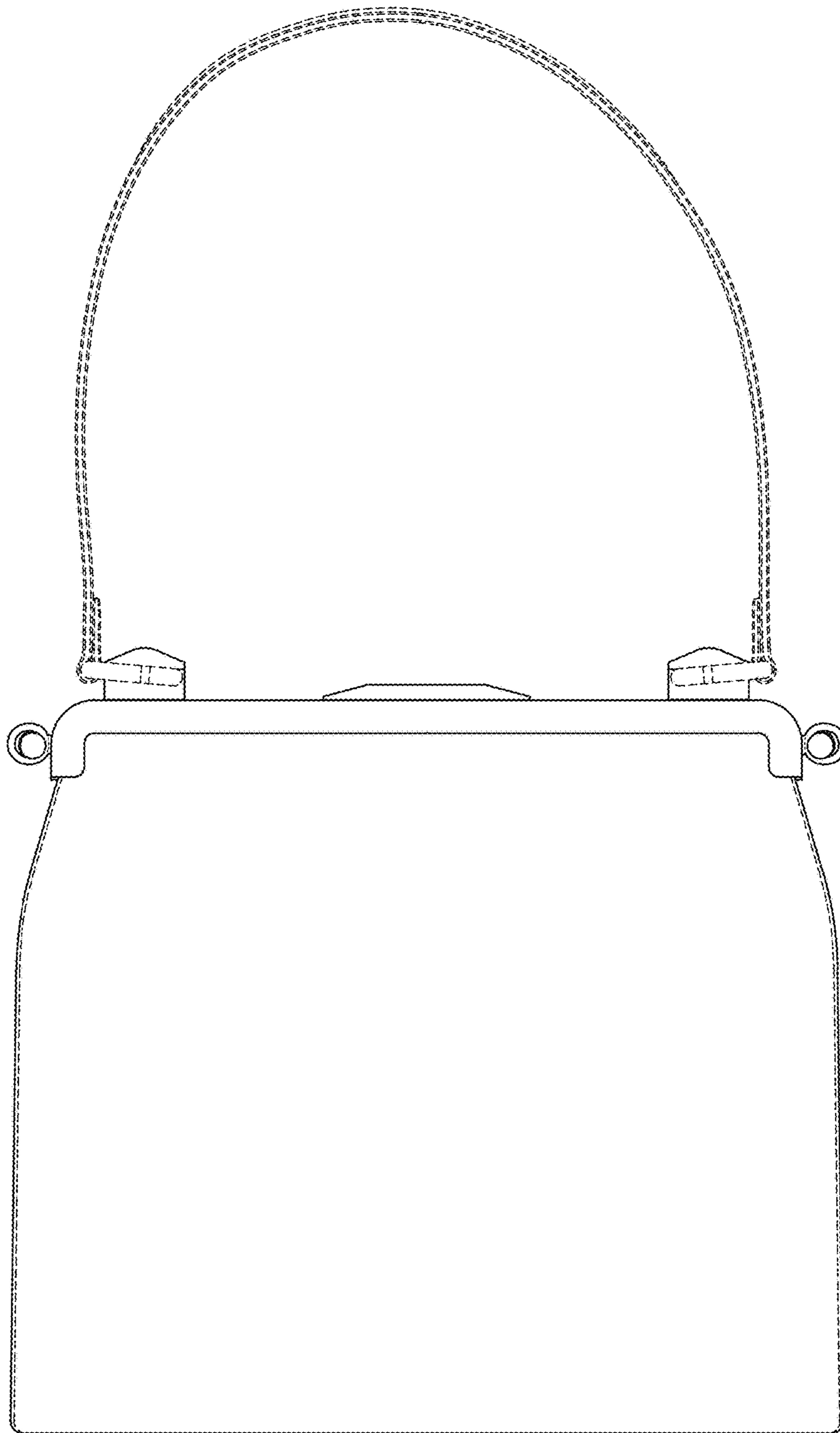


FIG. 5

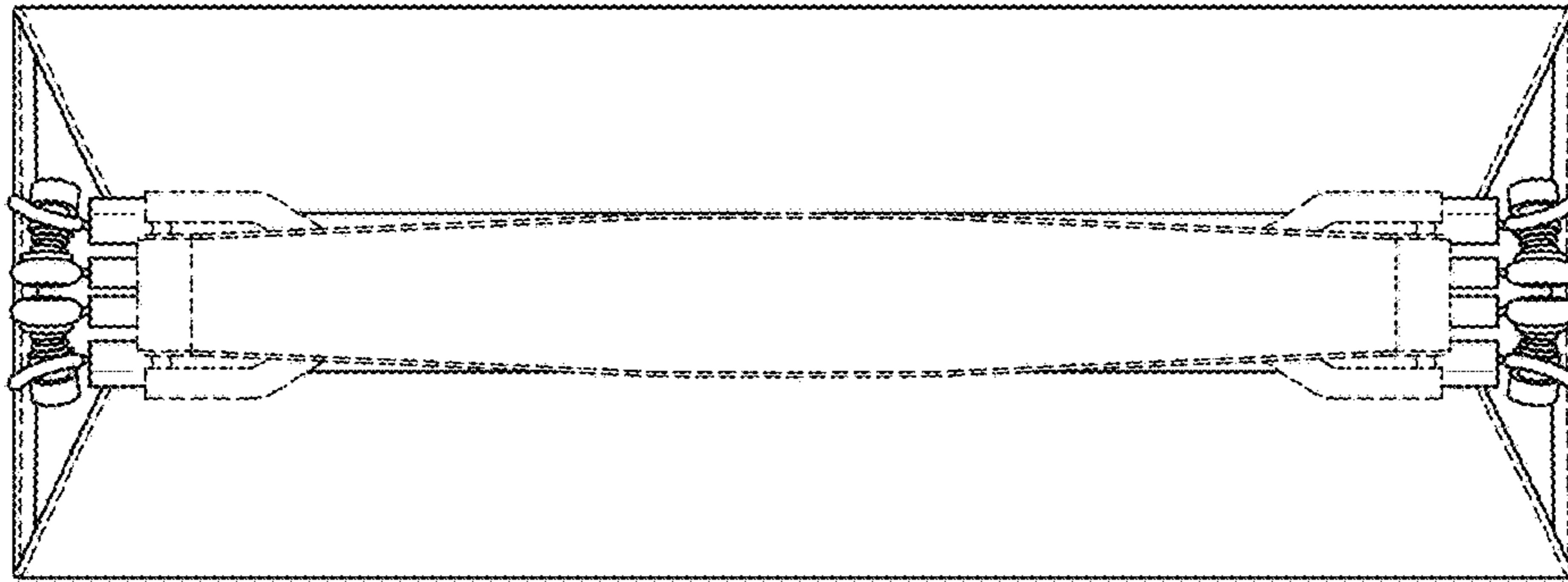


FIG. 6

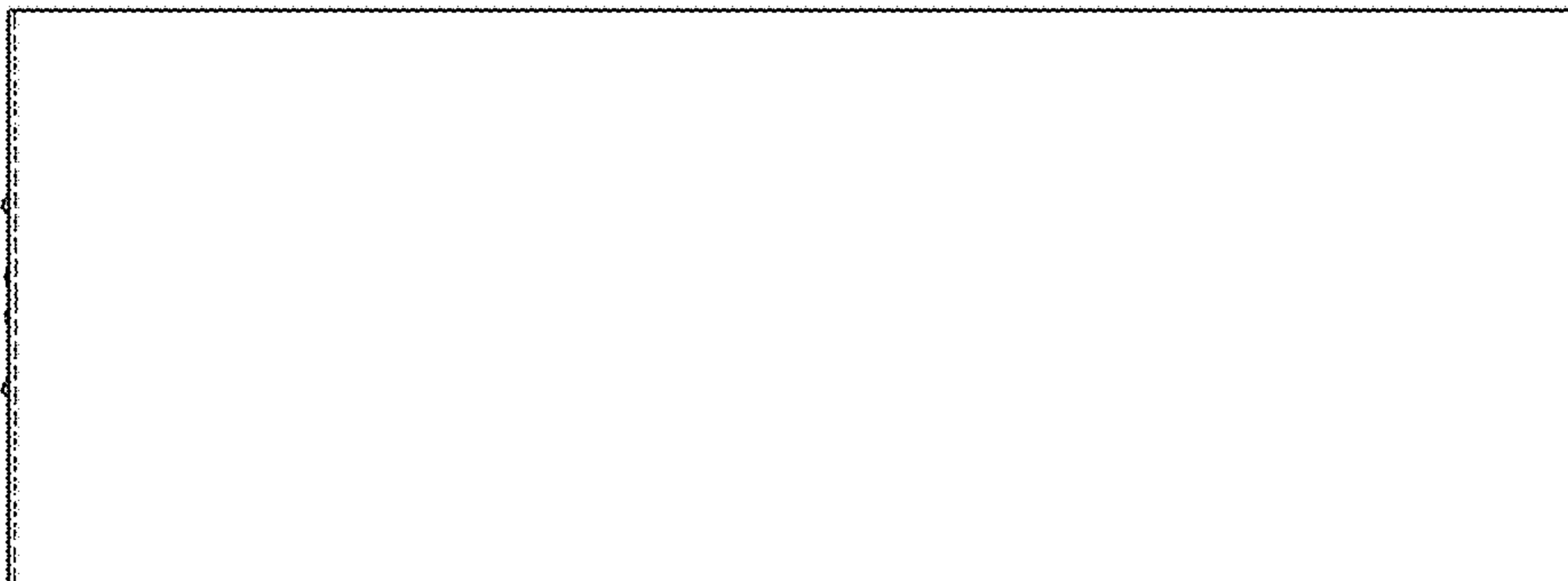


FIG. 7