

US00D820587S

(12) **United States Design Patent**
Wampold

(10) **Patent No.:** **US D820,587 S**
(45) **Date of Patent:** **** Jun. 19, 2018**

- (54) **MUSHROOM TOTE**
- (71) Applicant: **BigMouth, Inc.**, Glastonbury, CT (US)
- (72) Inventor: **Stephen G. Wampold**, Glastonbury, CT (US)
- (73) Assignee: **BIGMOUTH, LLC**, Glastonbury, CT (US)
- (**) Term: **15 Years**
- (21) Appl. No.: **29/596,824**
- (22) Filed: **Mar. 10, 2017**
- (51) **LOC (11) Cl.** **03-01**
- (52) **U.S. Cl.**
USPC **D3/234; D3/238**
- (58) **Field of Classification Search**
USPC D3/232–234, 238, 240–243, 245–246
CPC A45C 1/024; A45C 3/06
See application file for complete search history.

- D726,273 S 4/2015 Wampold
- D727,689 S 4/2015 Wampold
- D728,113 S 4/2015 Wampold
- D737,101 S 8/2015 Wampold
- D738,687 S 9/2015 Wampold
- D754,245 S 4/2016 Wampold
- D759,182 S 6/2016 Wampold
- D770,860 S 11/2016 Wampold
- D772,012 S 11/2016 Wampold
- D775,295 S 12/2016 Wampold
- D775,894 S 1/2017 Wampold

* cited by examiner

Primary Examiner — Holly H Baynham
(74) *Attorney, Agent, or Firm* — K&L Gates LLP

(57) **CLAIM**

The ornamental design for a mushroom tote, as shown and described.

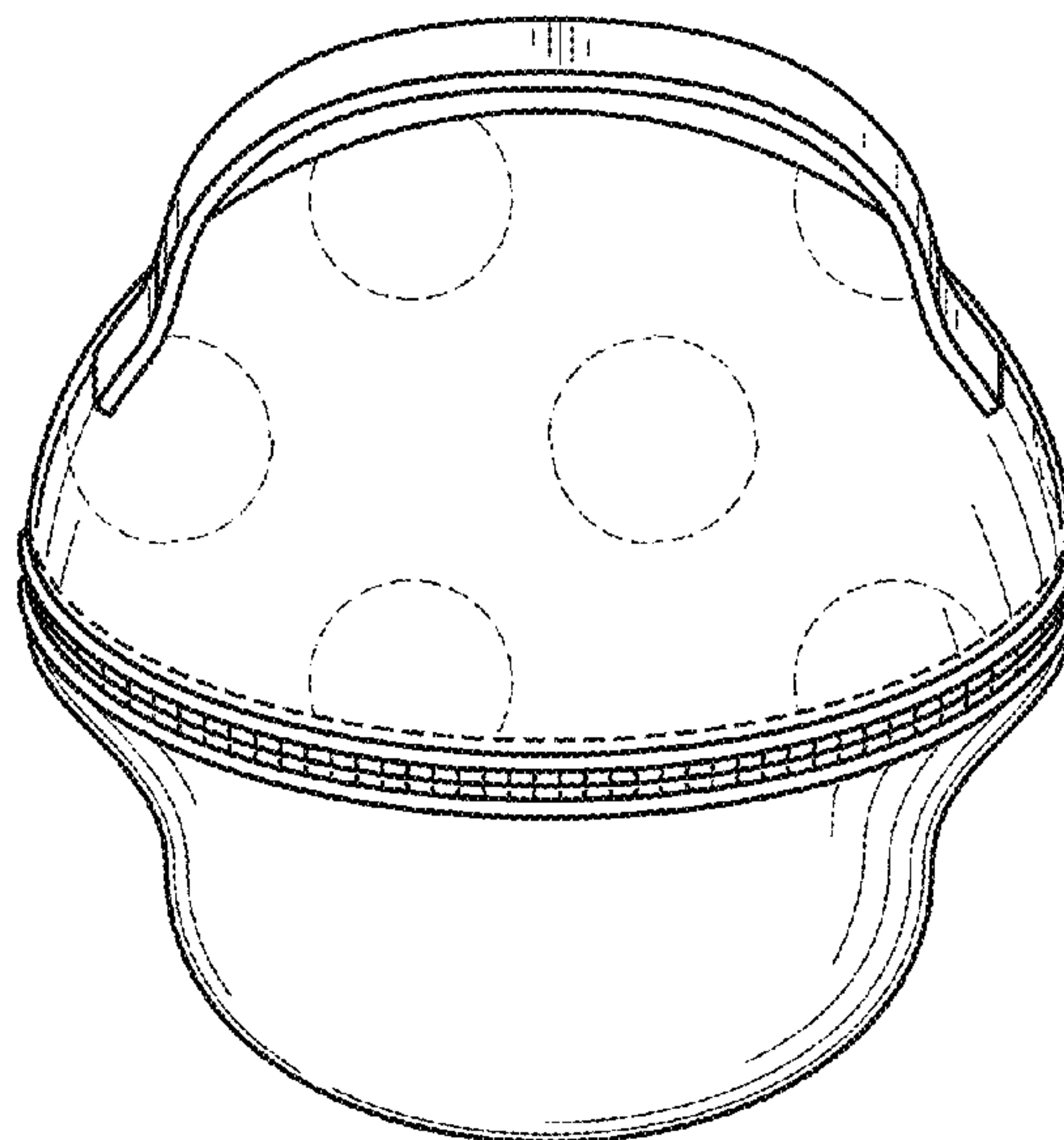
DESCRIPTION

FIG. 1 is a top front perspective view of my design;
 FIG. 2 is a top rear perspective view thereof;
 FIG. 3 is a top view thereof;
 FIG. 4 is a bottom view thereof;
 FIG. 5 is a rear view thereof;
 FIG. 6 is a front view thereof;
 FIG. 7 is an elevation view of one side thereof;
 FIG. 8 is an elevation view of the other side thereof;
 FIG. 9 is a top and bottom exterior opened perspective view thereof;
 FIG. 10 is a top and bottom interior opened perspective view thereof; and,
 FIG. 11 is an opened side elevation view thereof.
 The broken lines showing stitching and ornamentation are for the purposes of illustrating environment and form no part of the claimed design.

1 Claim, 7 Drawing Sheets

(56) **References Cited**
U.S. PATENT DOCUMENTS

- D381,502 S * 7/1997 Petto D3/237
- D417,954 S * 12/1999 Pearl-Lee D3/226
- D583,557 S * 12/2008 Siegel D3/234
- D631,654 S * 2/2011 Lizhu D3/233
- D637,395 S * 5/2011 Patascher D3/234
- D644,430 S * 9/2011 Neeson D3/234
- D671,313 S * 11/2012 Brazzell D3/234
- D677,885 S * 3/2013 Shyr D3/234
- D697,765 S 1/2014 Wampold
- D703,008 S 4/2014 Wampold
- D703,009 S 4/2014 Wampold
- D719,409 S 12/2014 Wampold
- D720,078 S 12/2014 Wampold
- D721,182 S 1/2015 Wampold
- D725,209 S 3/2015 Wampold



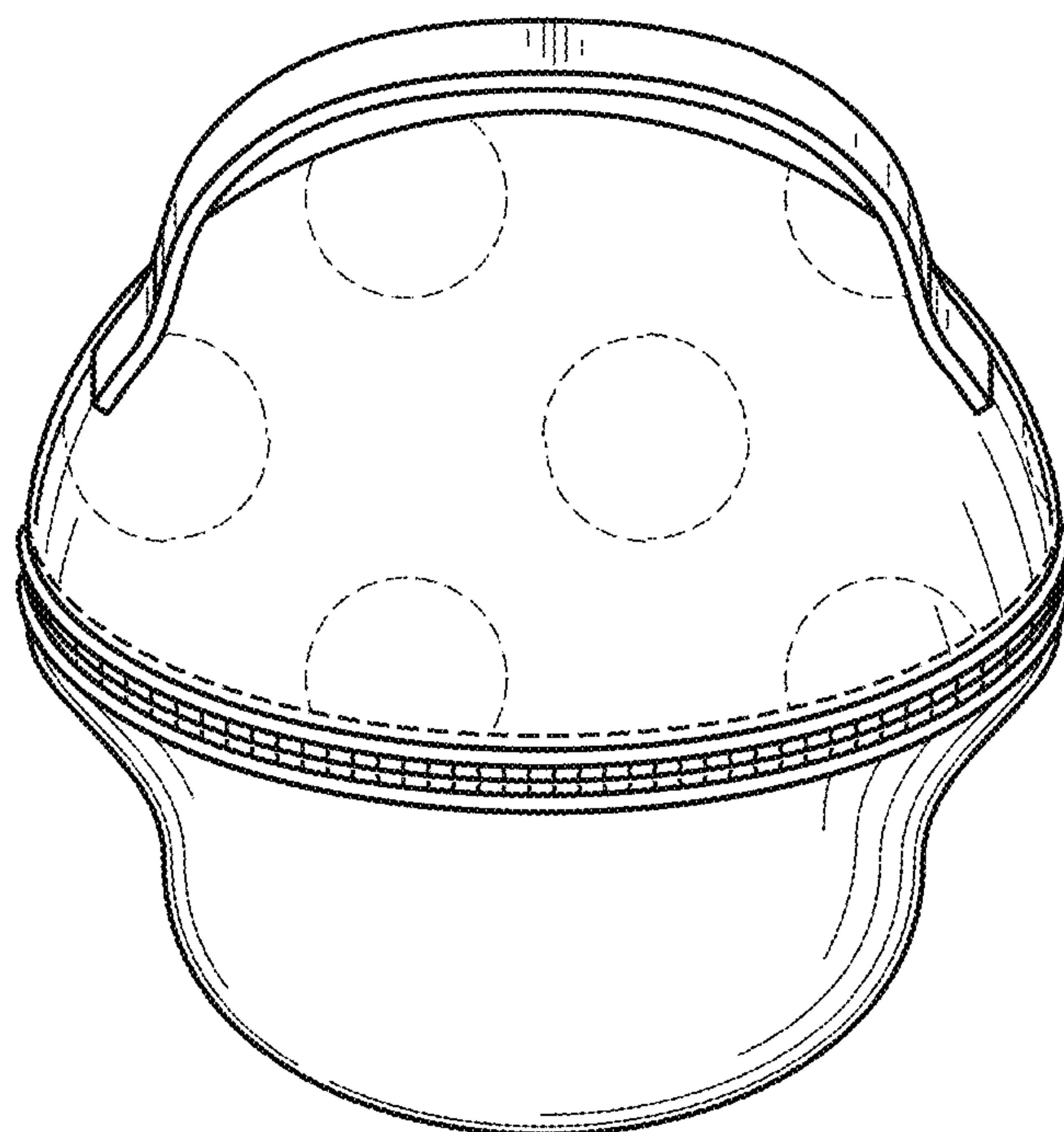


FIG. 1

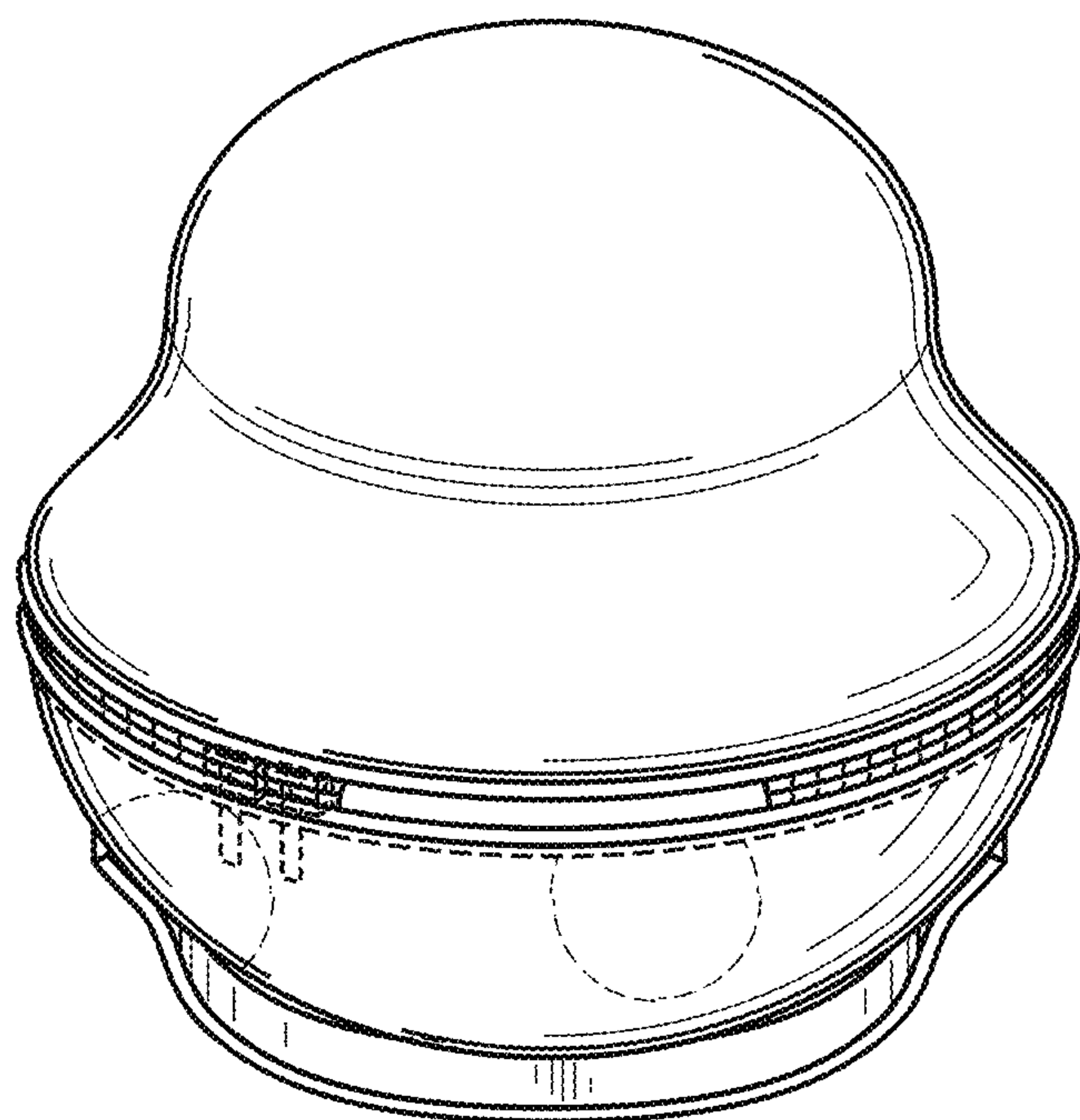


FIG. 2

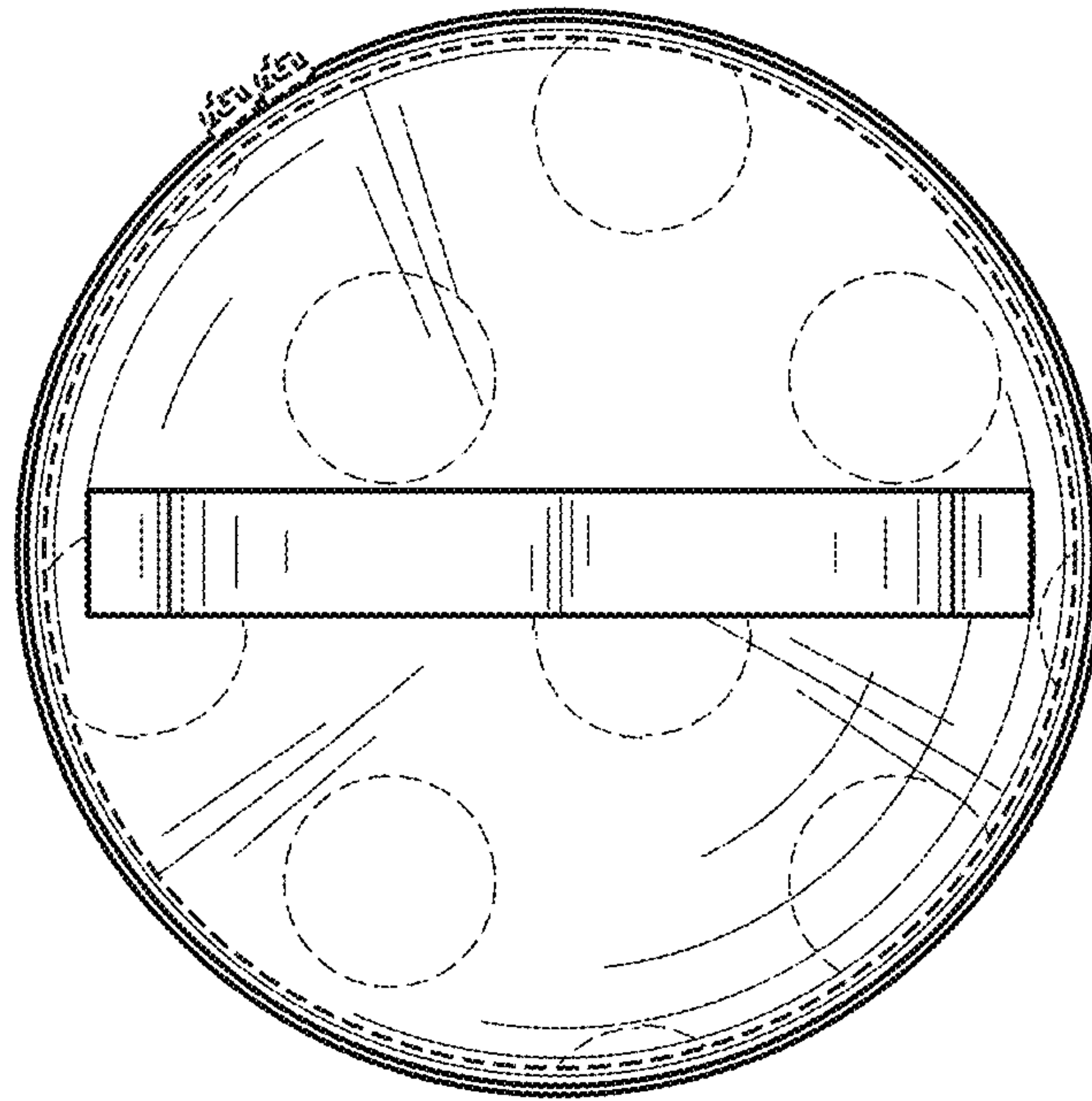


FIG. 3

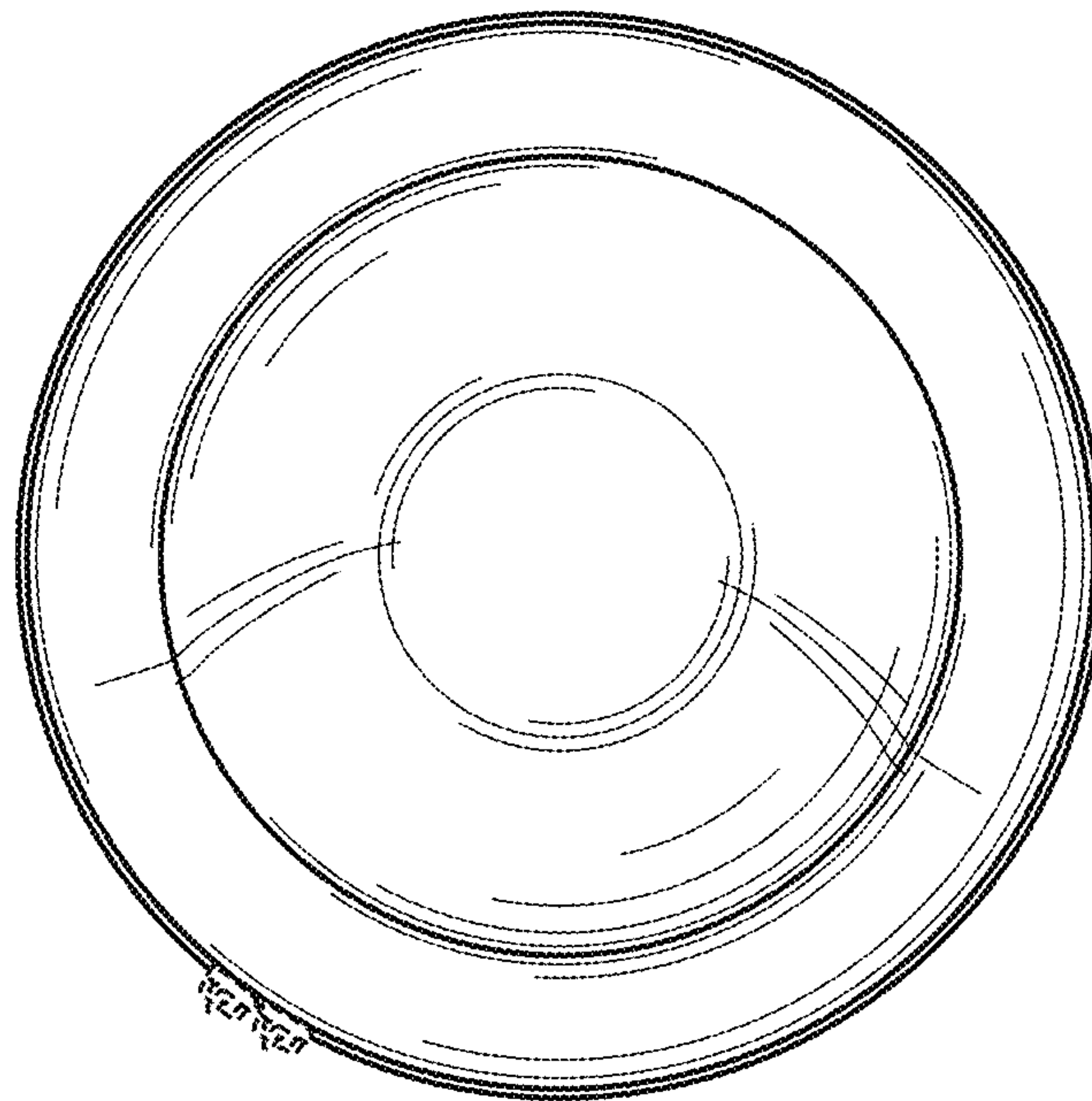


FIG. 4

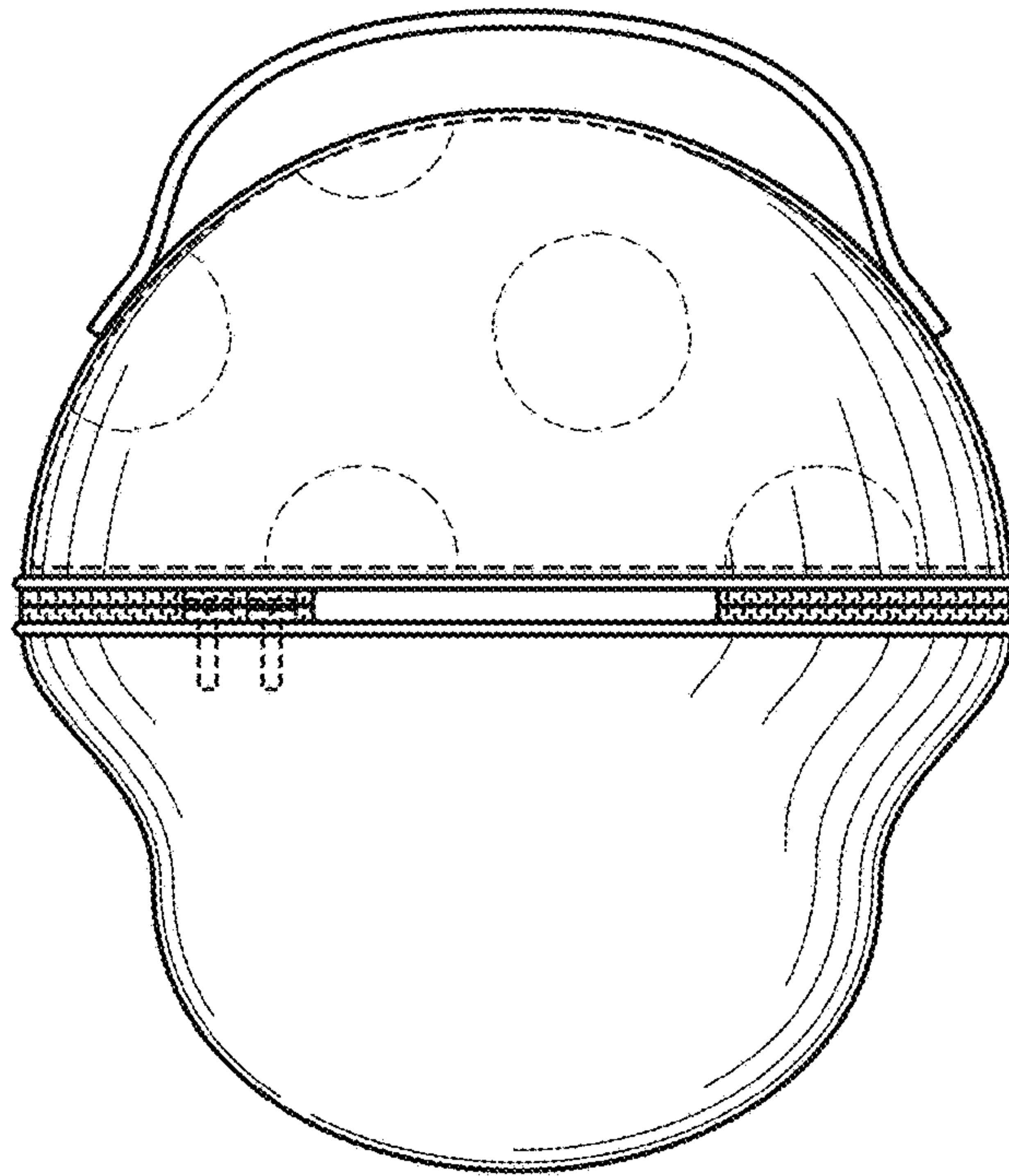


FIG. 5

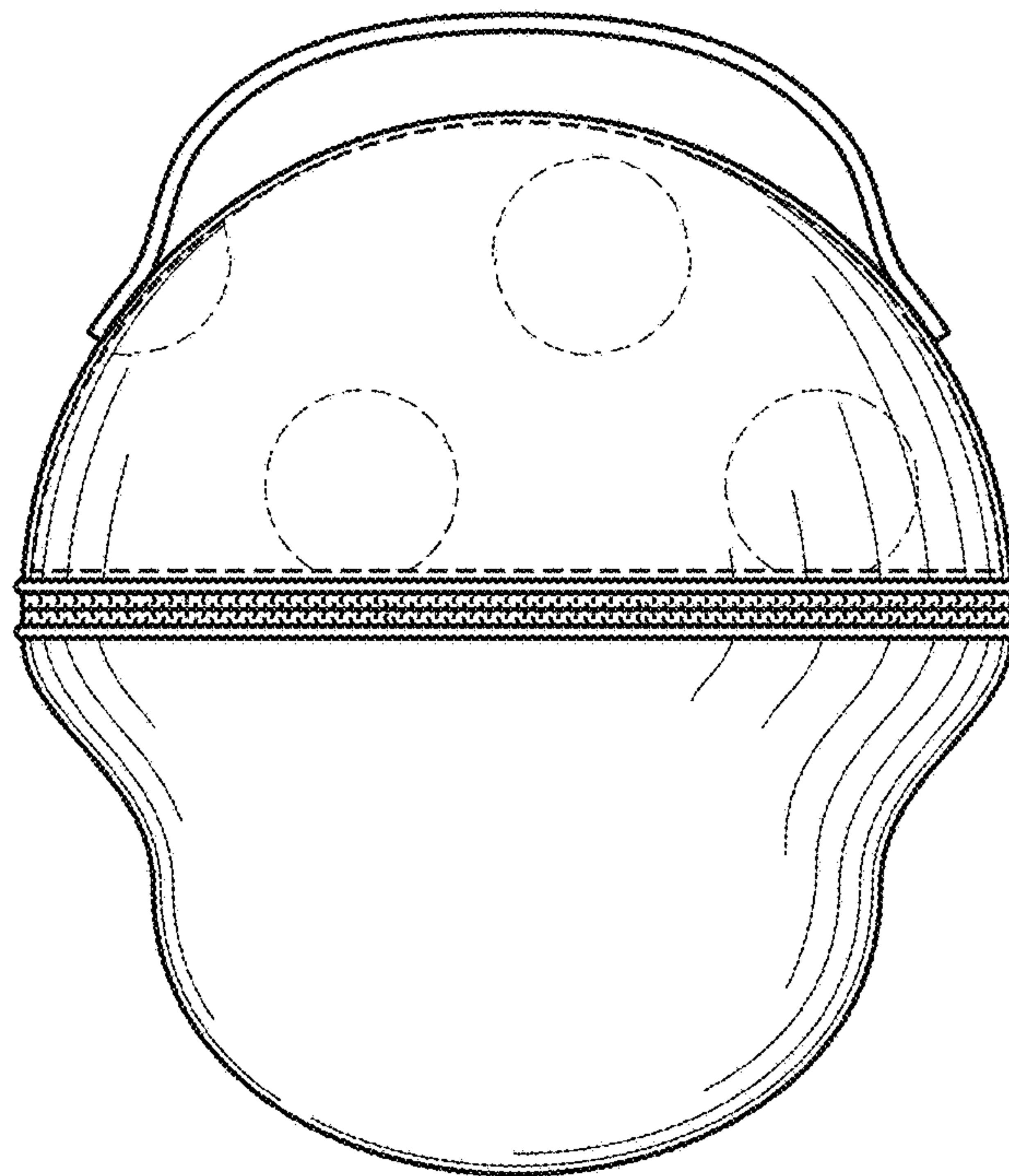


FIG. 6

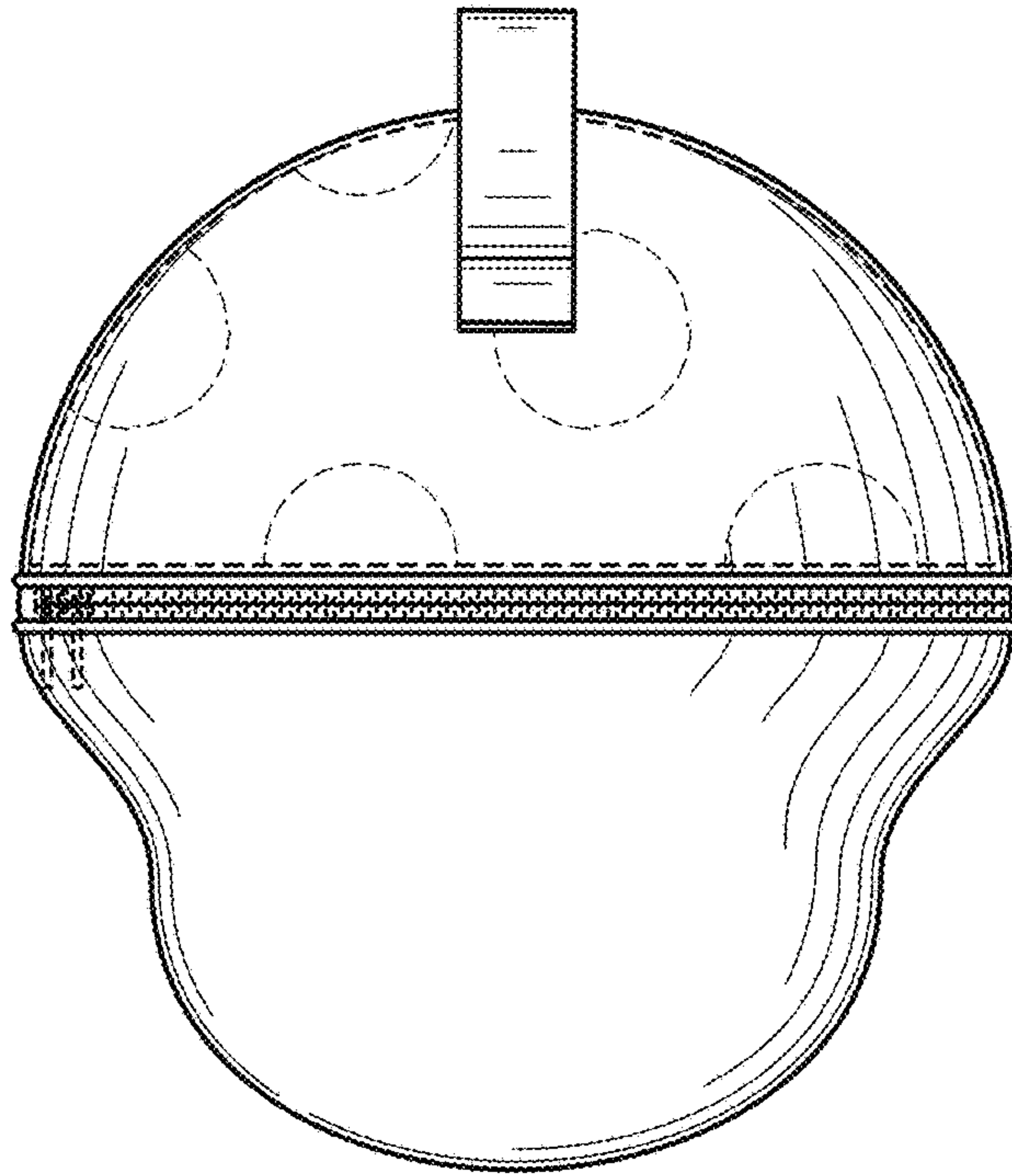


FIG. 7

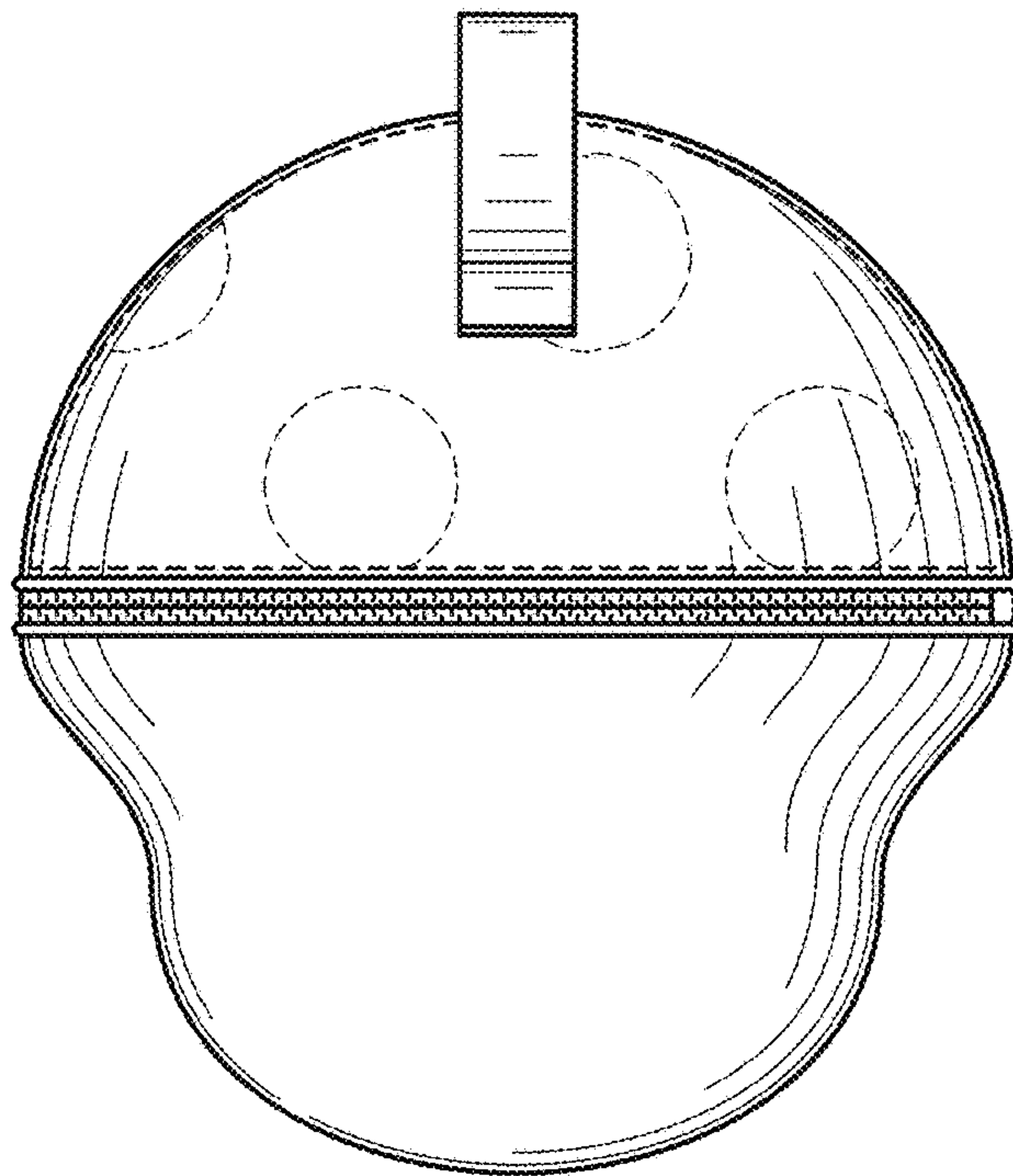


FIG. 8

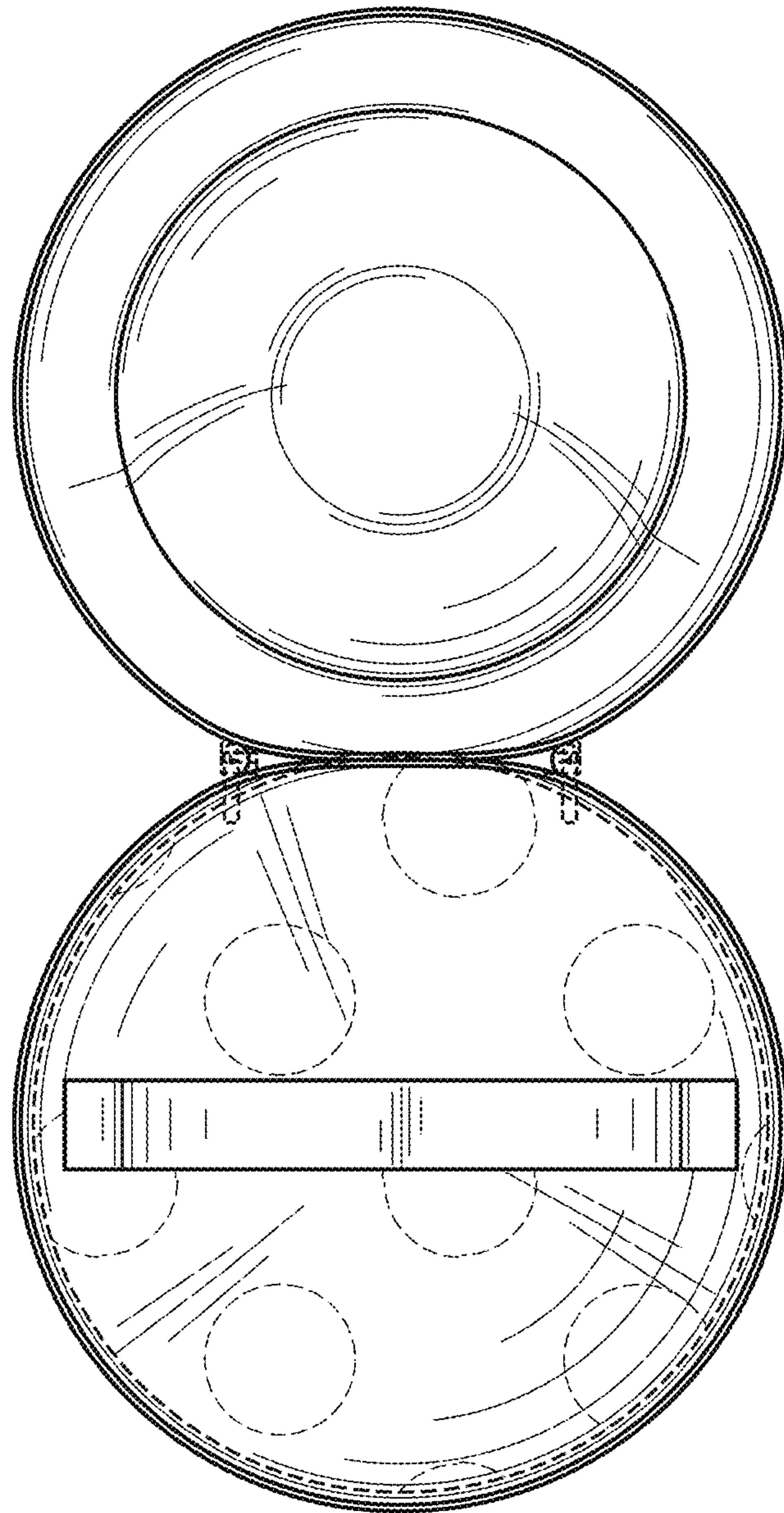


FIG. 9

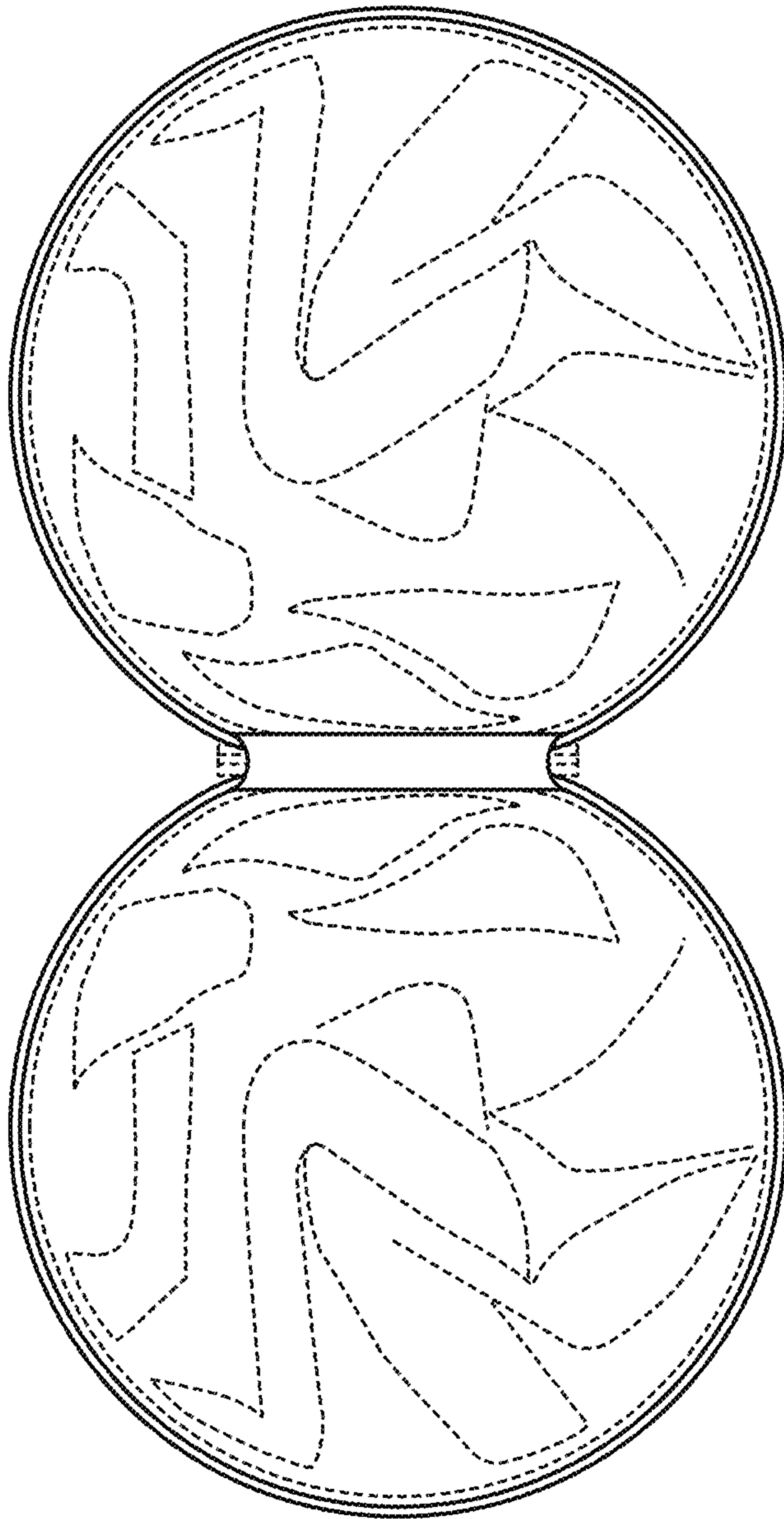


FIG. 10

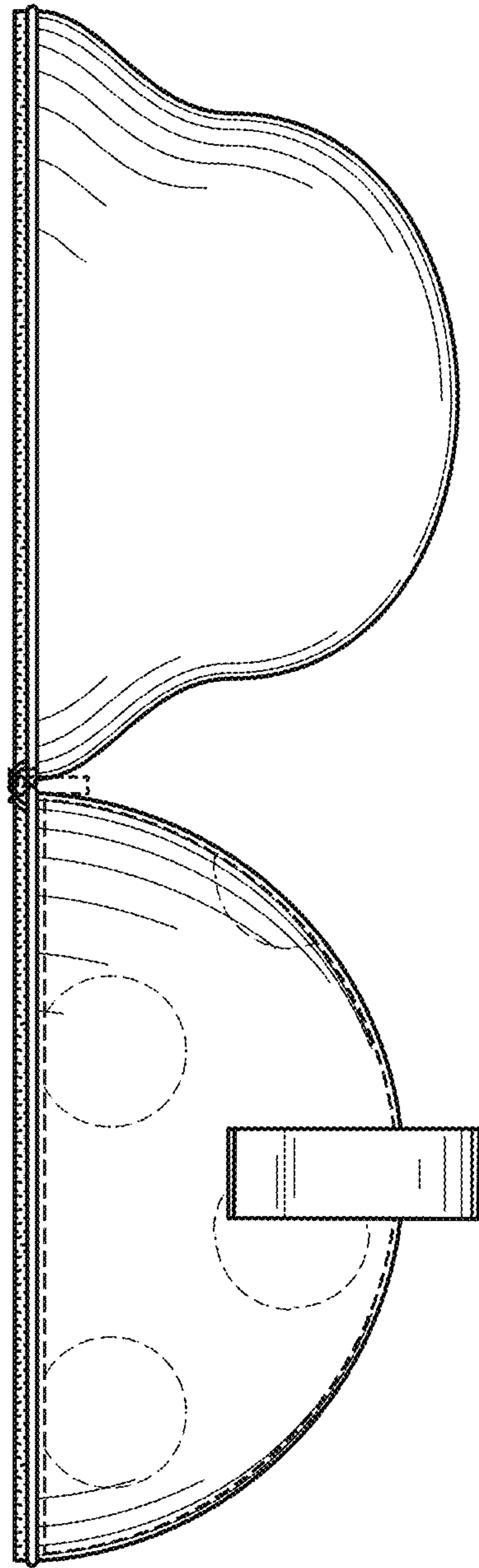


FIG. 11