



US00D820585S

(12) **United States Design Patent**  
**O'Brien**

(10) **Patent No.:** **US D820,585 S**

(45) **Date of Patent:** **\*\* Jun. 19, 2018**

(54) **PET CARE UTILITY BELT**

(71) Applicant: **Megan O'Brien**, Beverly Hills, CA  
(US)

(72) Inventor: **Megan O'Brien**, Beverly Hills, CA  
(US)

(\*\*) Term: **15 Years**

(21) Appl. No.: **29/607,377**

(22) Filed: **Jun. 13, 2017**

(51) **LOC (11) Cl.** ..... **03-01**

(52) **U.S. Cl.**  
USPC ..... **D3/224**

(58) **Field of Classification Search**  
USPC ..... D3/224, 226, 215, 221; 224/674-675,  
224/664-665, 684, 901.8, 933; 119/770,  
119/795, 797, 863; 294/1.3, 146;  
206/223, 133, 38  
CPC ..... A01K 27/006; A01K 27/008; A45F 5/00;  
A45F 5/02

See application file for complete search history.

(56) **References Cited**

**U.S. PATENT DOCUMENTS**

4,923,105	A	5/1990	Snyder	
5,447,227	A *	9/1995	Kosberg	A01K 1/035 206/223
D393,365	S *	4/1998	Wheeler	D3/226
5,890,637	A	4/1999	Furneaux	
6,016,772	A	1/2000	Noyes	
6,073,823	A *	6/2000	Gordon	A45F 5/02 224/661
6,257,473	B1 *	7/2001	Ringelstetter	E01H 1/1206 119/795
D510,480	S *	10/2005	McCarter	D3/224

D637,394	S *	5/2011	Cunningham	D3/226
D658,871	S *	5/2012	Voit	D3/226
D723,265	S *	3/2015	Ford	D3/224
2006/0011691	A1	1/2006	Perez	
2006/0027187	A1	2/2006	Nicastro	
2015/0075448	A1	3/2015	Clark	

\* cited by examiner

*Primary Examiner* — Catherine Oliver-Garcia

(74) *Attorney, Agent, or Firm* — MacMillan, Sobanski & Todd, LLC

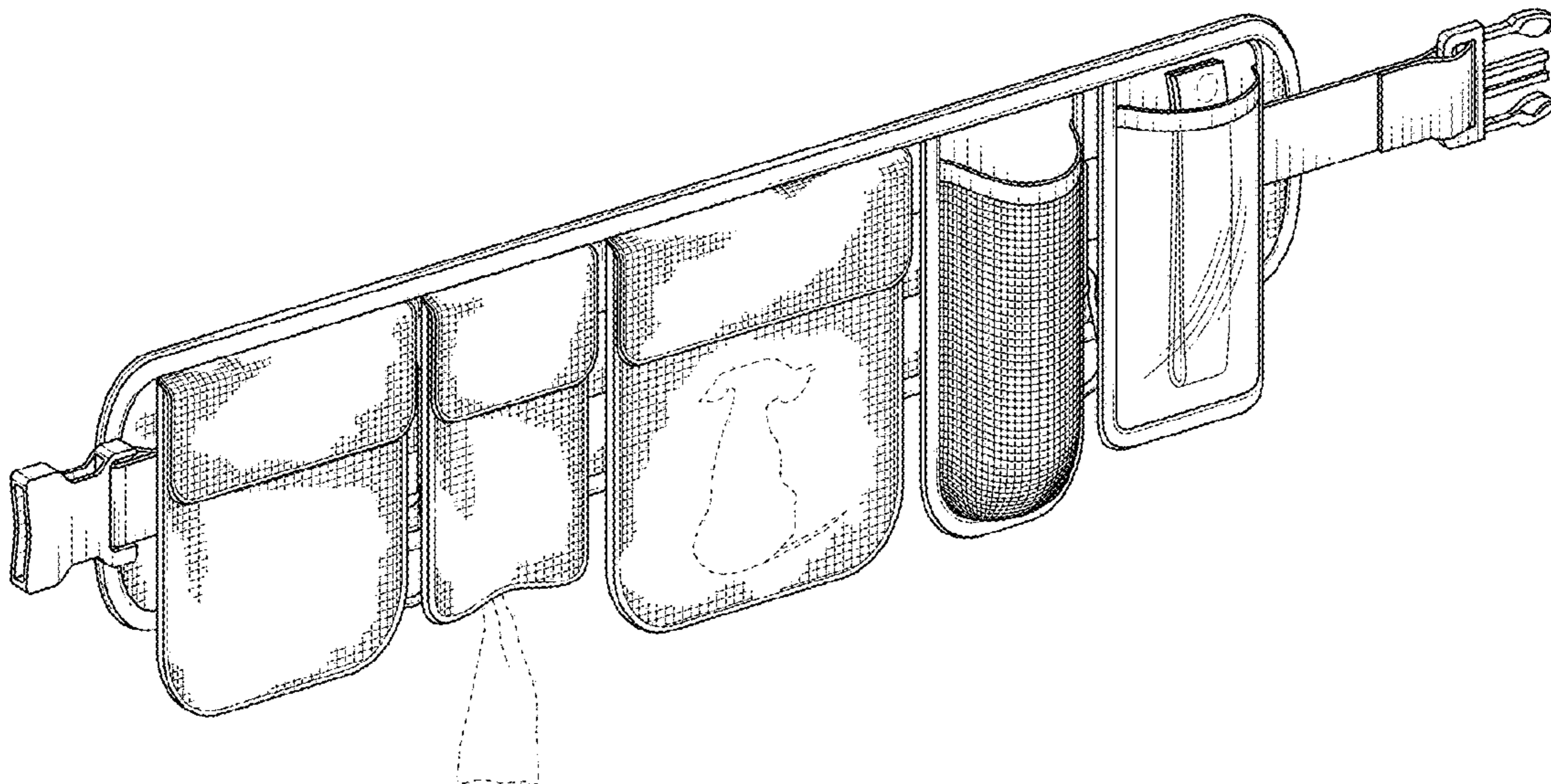
(57) **CLAIM**

The ornamental design for a pet care utility belt, as shown and described.

**DESCRIPTION**

FIG. 1 is a front perspective view of a pet care utility belt according to the design;  
 FIG. 2 is a front elevational view thereof;  
 FIG. 3 is a rear elevational view thereof;  
 FIG. 4 is a left side elevational view thereof;  
 FIG. 5 is a right side elevational view thereof;  
 FIG. 6 is a top plan view thereof;  
 FIG. 7 is a bottom plan view thereof; and,  
 FIG. 8 is an enlarged portion of the bottom plan view of FIG. 7 showing a dispenser pouch opening for accessing a bag, the bag and opening shown in broken lines.  
 The portions of the design shown in broken lines in the drawings are included for the purpose of showing features that form no part of the claimed design.

**1 Claim, 4 Drawing Sheets**



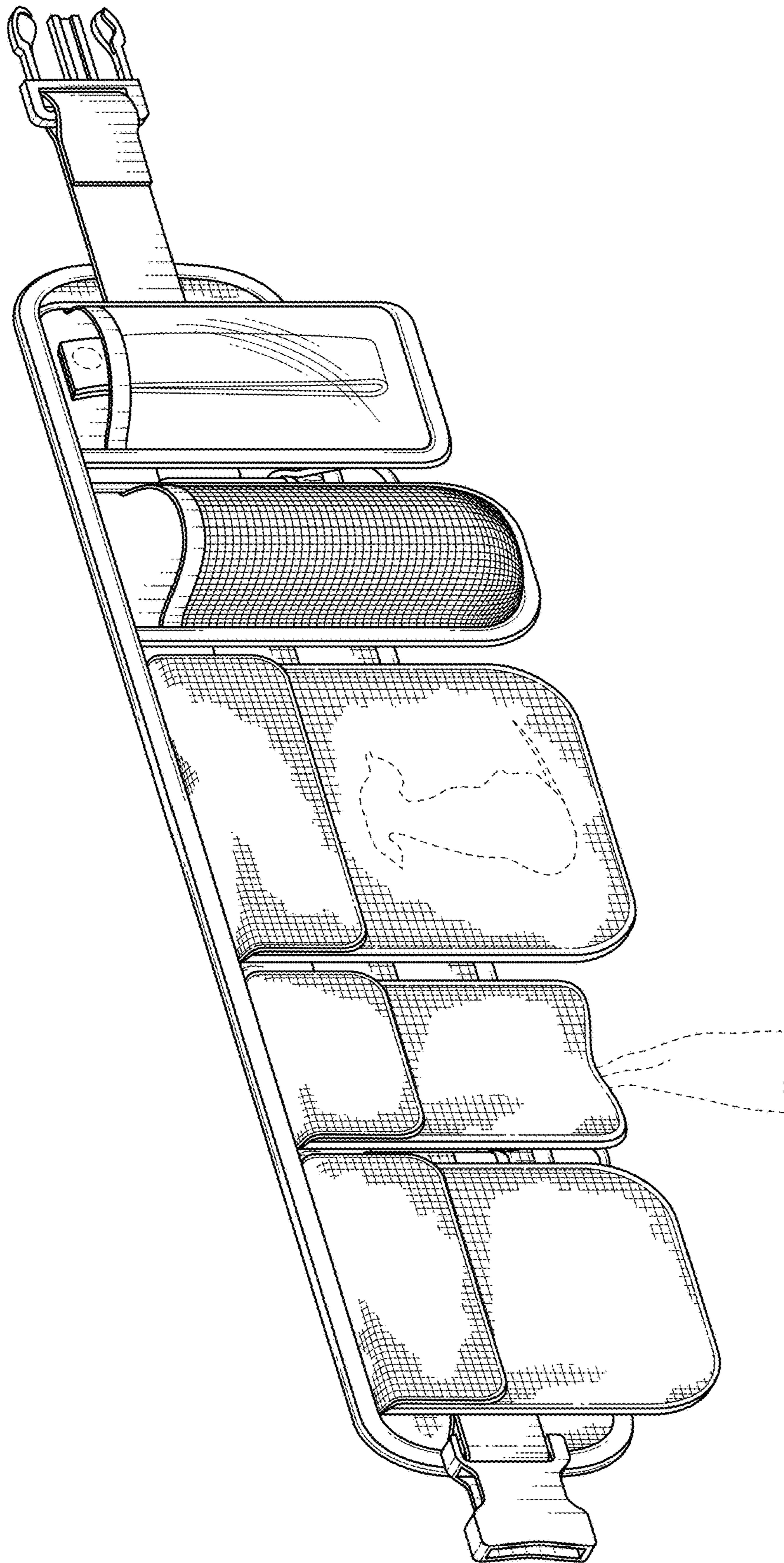


FIG. 1



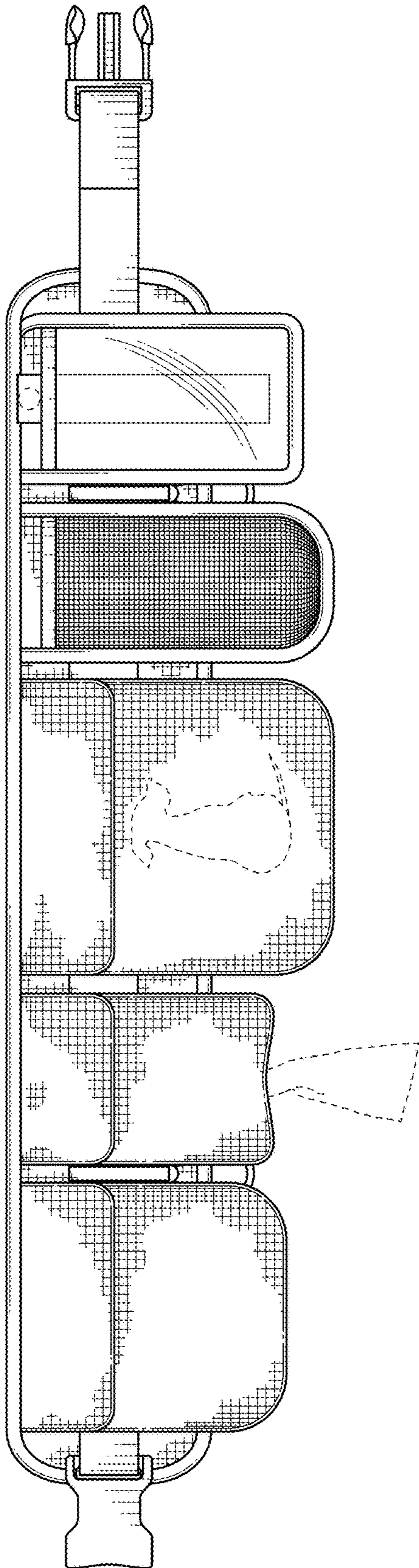


FIG. 2

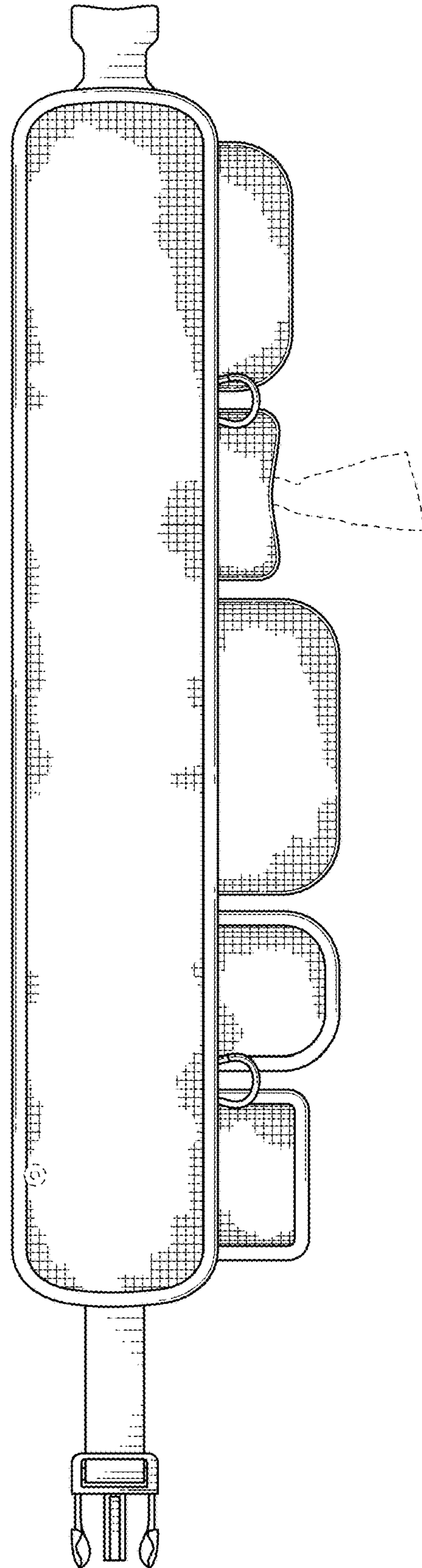


FIG. 3

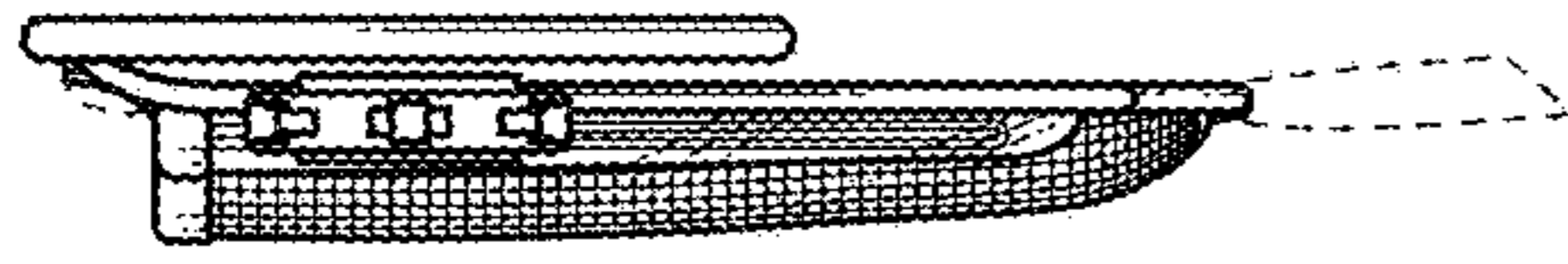


FIG. 4

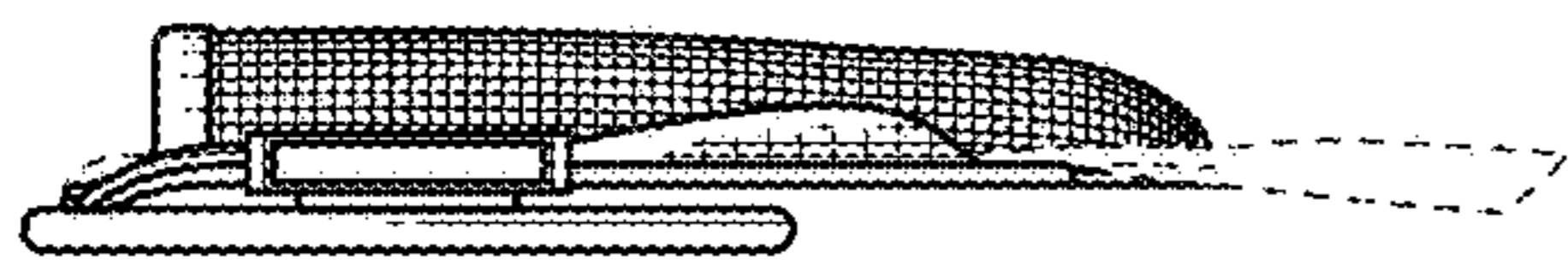


FIG. 5

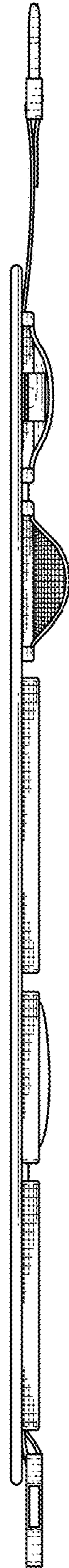


FIG. 6

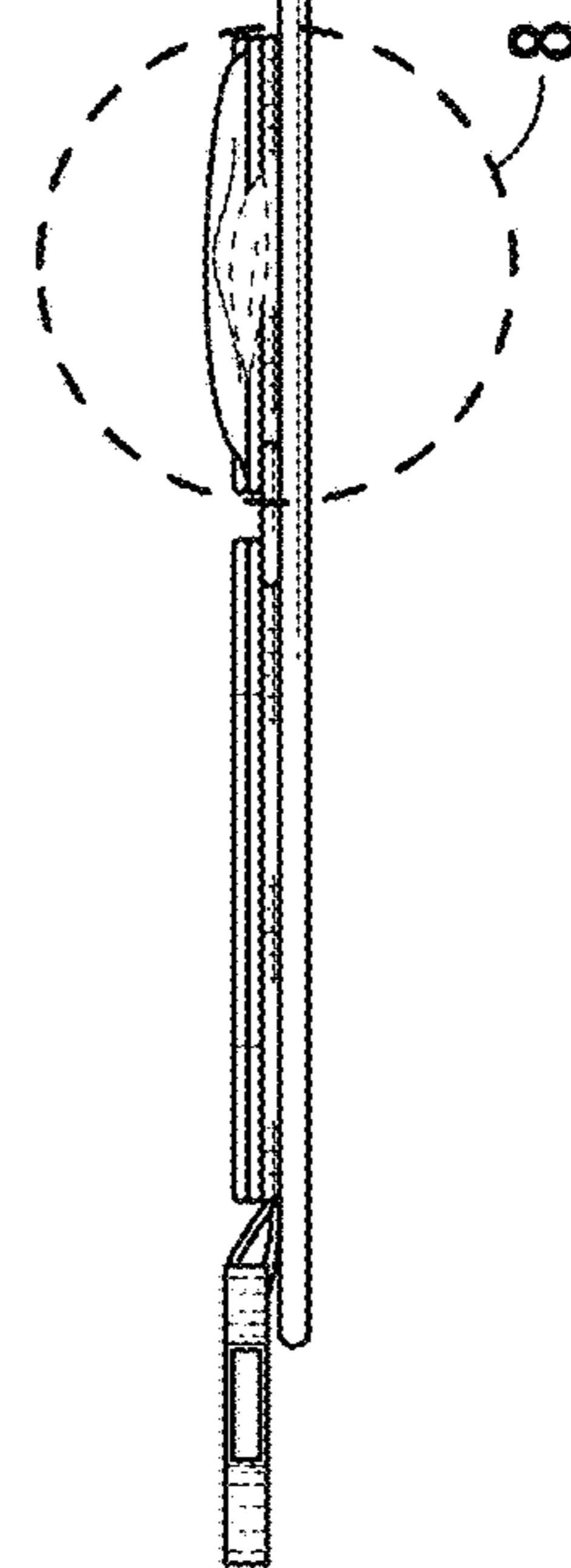


FIG. 7



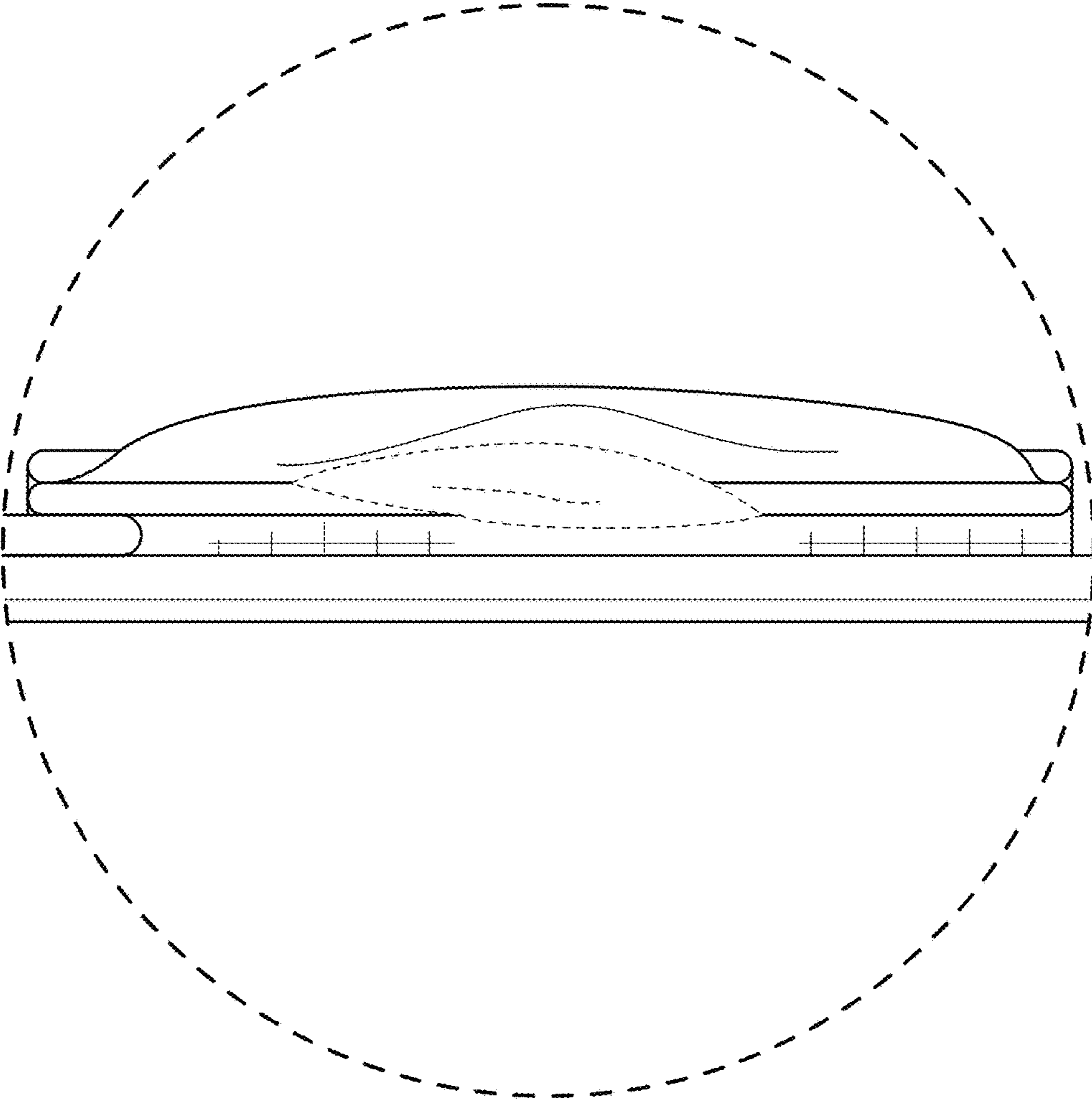


FIG. 8