



US00D820582S

(12) **United States Design Patent**
Farnum et al.

(10) **Patent No.:** **US D820,582 S**
(45) **Date of Patent:** **** Jun. 19, 2018**

- (54) **RETRACTABLE SEAM RIPPER**
- (71) Applicant: **DPG USA Inc**, Schaumburg, IL (US)
- (72) Inventors: **Ronald C. Farnum**, Lombard, IL (US); **Sabrina Katz**, Chicago, IL (US); **Evan Ward**, Chicago, IL (US); **Daniel Schaumann**, Chicago, IL (US)
- (73) Assignee: **DPG USA INC.**, Schaumburg, IL (US)
- (**) Term: **15 Years**
- (21) Appl. No.: **29/541,878**
- (22) Filed: **Oct. 8, 2015**
- (51) **LOC (11) Cl.** **03-99**
- (52) **U.S. Cl.**
USPC **D3/18**
- (58) **Field of Classification Search**
USPC D3/18, 20, 28; 112/128, 129;
30/286-289, 294
CPC D05B 37/04; B26B 29/02; B26B 5/005;
A43D 5/04; B43M 7/002; A61B
17/32002
See application file for complete search history.

(56) **References Cited**

U.S. PATENT DOCUMENTS

2,320,784	A *	6/1943	Livingston	A41H 31/005 30/272.1
2,370,440	A *	2/1945	Beavin	A41H 31/005 30/289
D222,660	S *	11/1971	Miles et al.	D3/18
D225,700	S *	1/1973	Ament et al.	D3/18
D225,701	S *	1/1973	Ament et al.	D3/18
3,756,175	A *	9/1973	Rogers	D05B 89/00 112/128
3,972,117	A *	8/1976	Fogg	A41H 31/005 30/287
4,175,498	A *	11/1979	Walters	D05B 89/00 112/129

4,510,688	A *	4/1985	White	A41H 31/005 30/294
D282,590	S *	2/1986	Ramik	D28/20
D296,042	S *	6/1988	Lee	D3/18
D351,059	S *	10/1994	Kahlcke	D3/18
D382,702	S *	8/1997	Matuo	D3/28
D490,605	S *	6/2004	Earle	D3/28
D548,453	S *	8/2007	Mihara	D3/28
D701,039	S *	3/2014	Sasur	D3/18
D701,040	S *	3/2014	Hatcher	D3/18

(Continued)

Primary Examiner — John Windmuller

Assistant Examiner — Steven J Czyz

(74) *Attorney, Agent, or Firm* — Robert S. Alexander;
Ferrells, PLLC; Anna L. Kinney

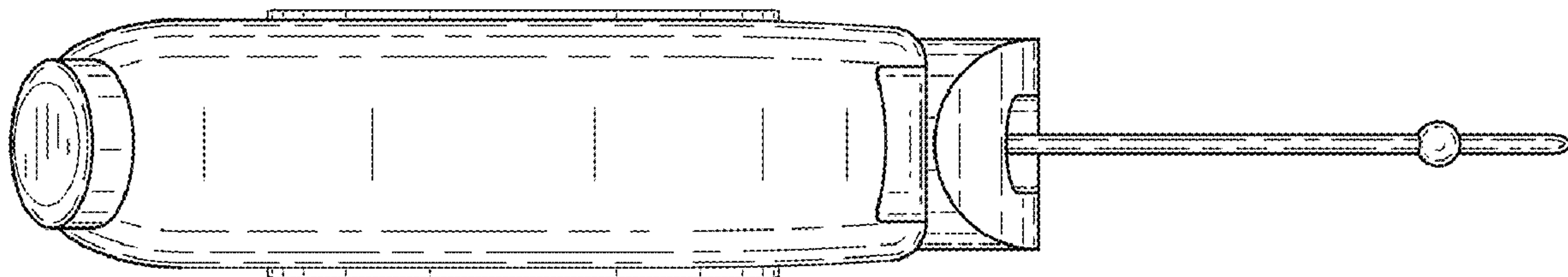
(57) **CLAIM**

The ornamental design for a retractable seam ripper, as shown and described.

DESCRIPTION

FIG. 1 is a top plan view of a retractable seam ripper of the present invention;
 FIG. 2 is an upper perspective view of the retractable seam ripper of FIG. 1;
 FIG. 3 is a left elevation view of the retractable seam ripper of FIG. 1;
 FIG. 4 is a front elevation view of the retractable seam ripper of FIG. 1;
 FIG. 5 is a right elevation view of the retractable seam ripper of FIG. 1;
 FIG. 6 is a rear elevation of the retractable seam ripper of FIG. 1;
 FIG. 7 is a bottom plan view of the retractable seam ripper of FIG. 1; and,
 FIG. 8 is a lower perspective view of the retractable seam ripper of FIG. 1.
 The broken lines depict portions of the article that form no part of the claimed design.

1 Claim, 4 Drawing Sheets



(56)

References Cited

U.S. PATENT DOCUMENTS

2005/0262704 A1* 12/2005 DiSanto A41H 31/005
30/289
2014/0277042 A1* 9/2014 Racenet A61B 17/32001
606/170
2017/0099903 A1* 4/2017 Farnum A41H 31/005
2017/0099904 A1* 4/2017 Farnum B26B 1/08

* cited by examiner

FIG. 1

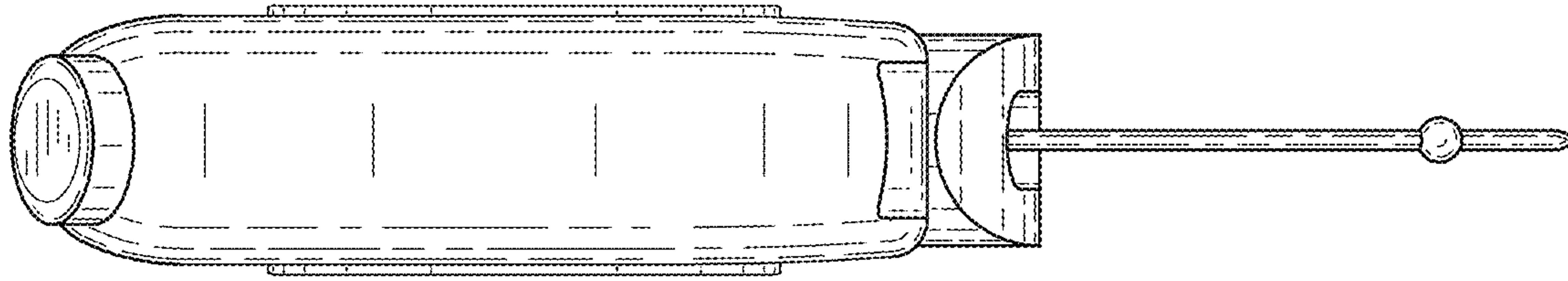


FIG. 2

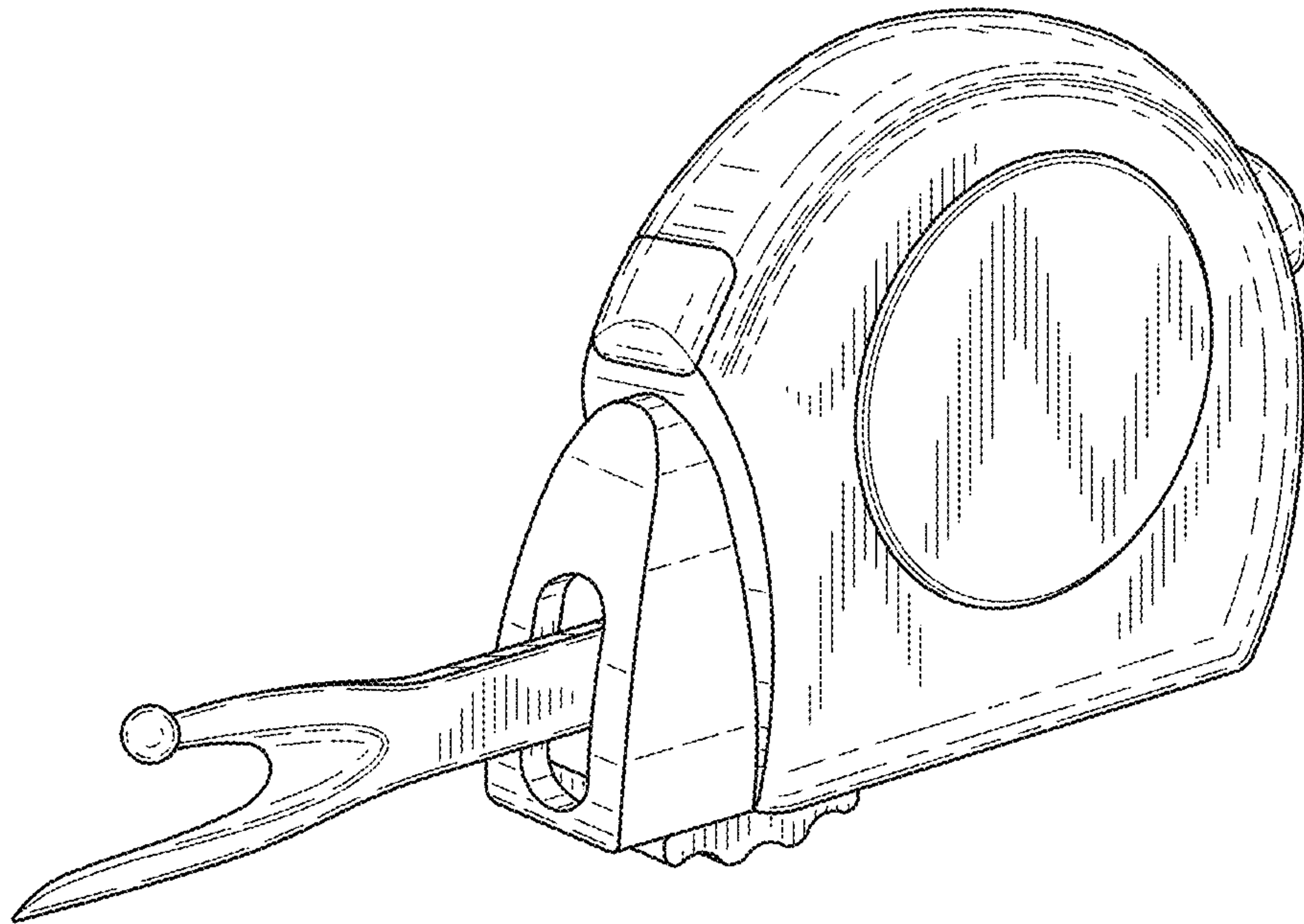


FIG. 3

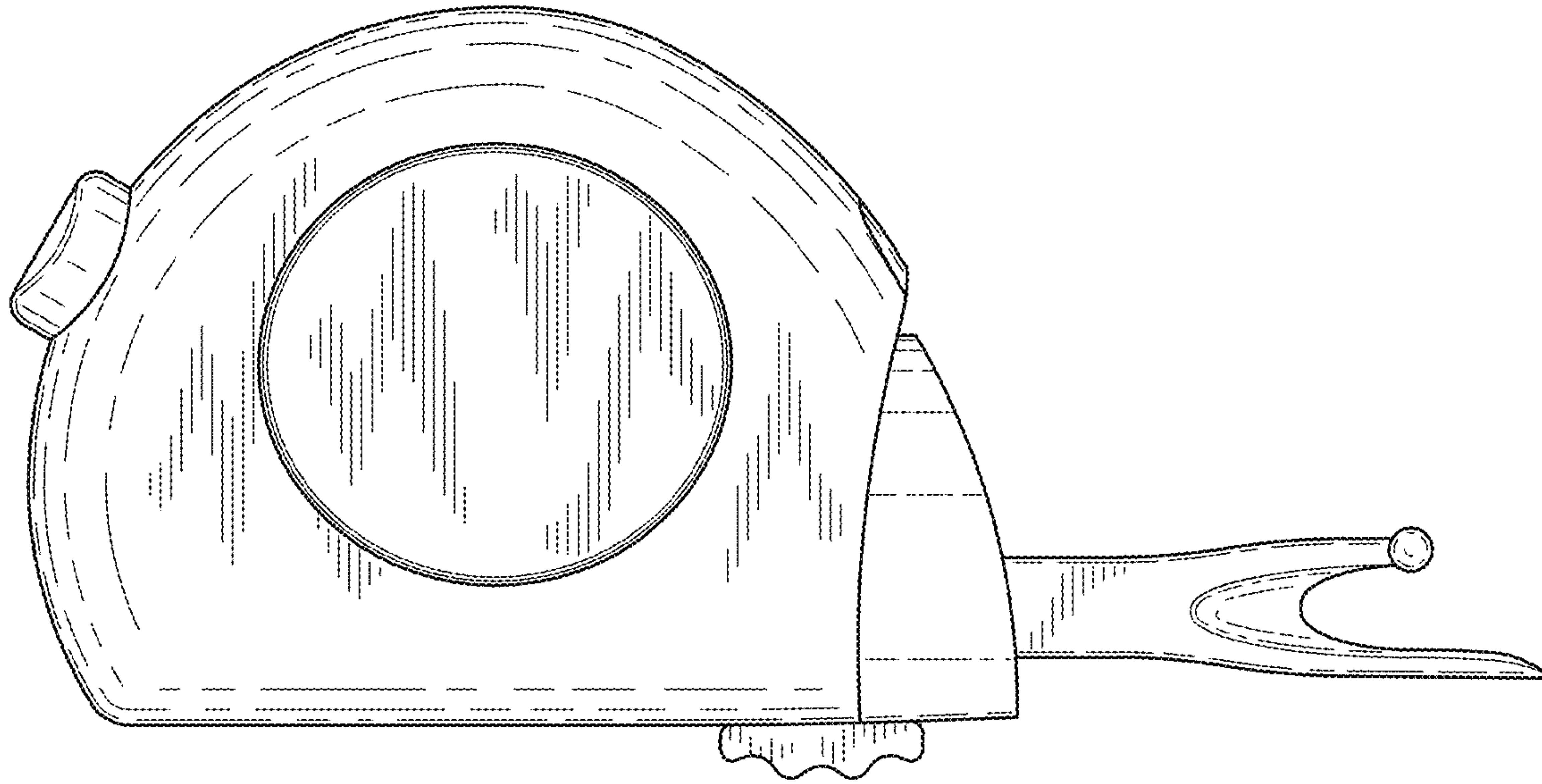


FIG. 4

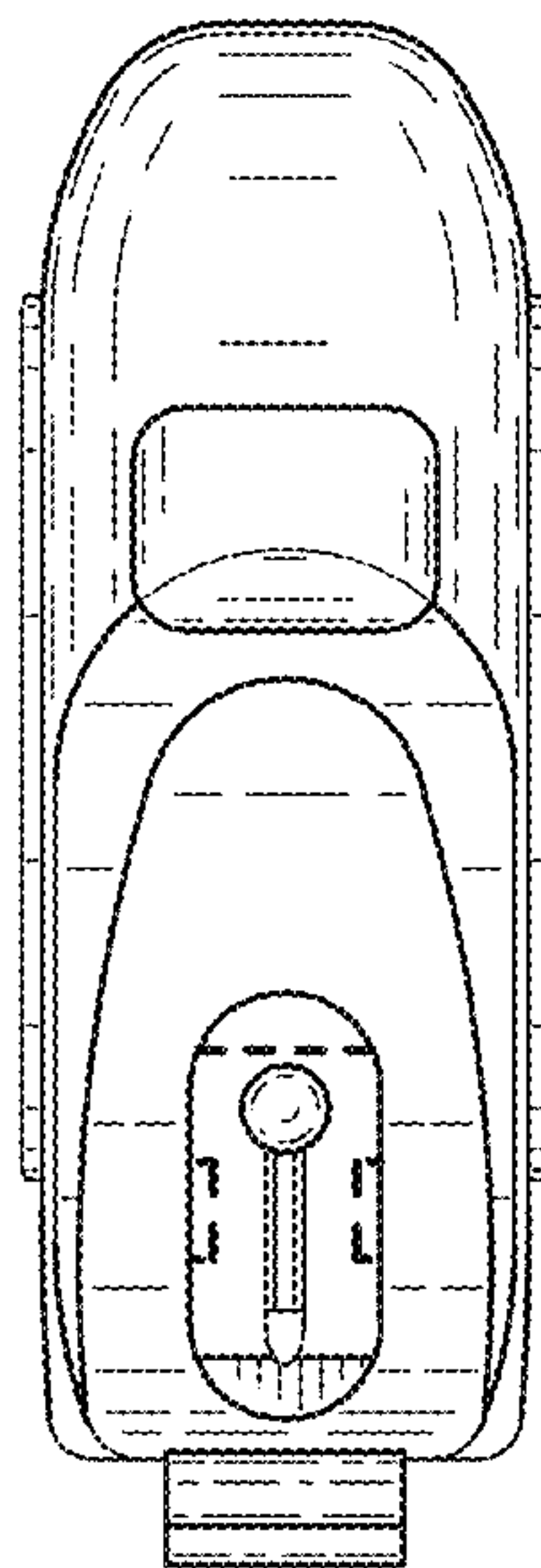


FIG. 5

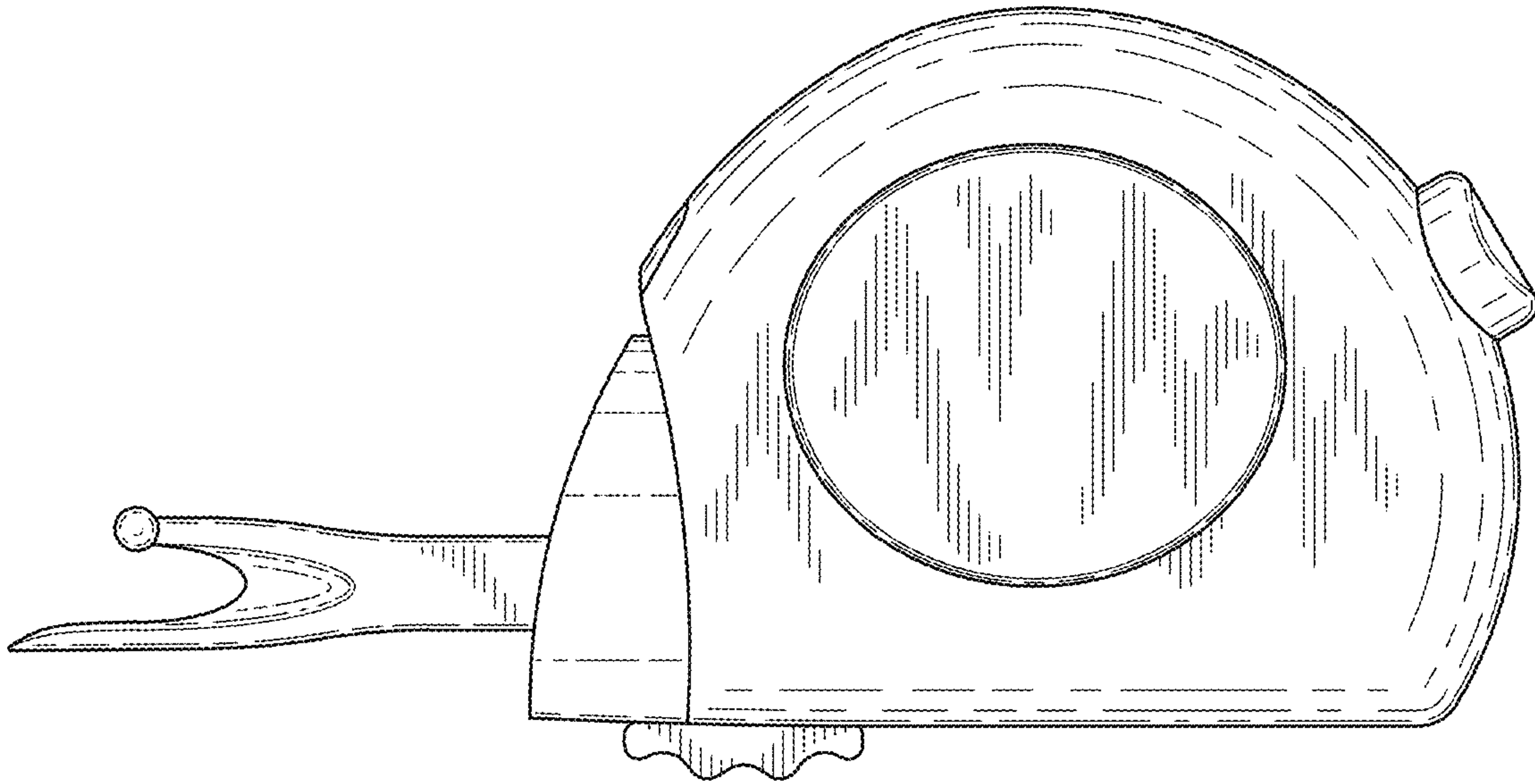


FIG. 6

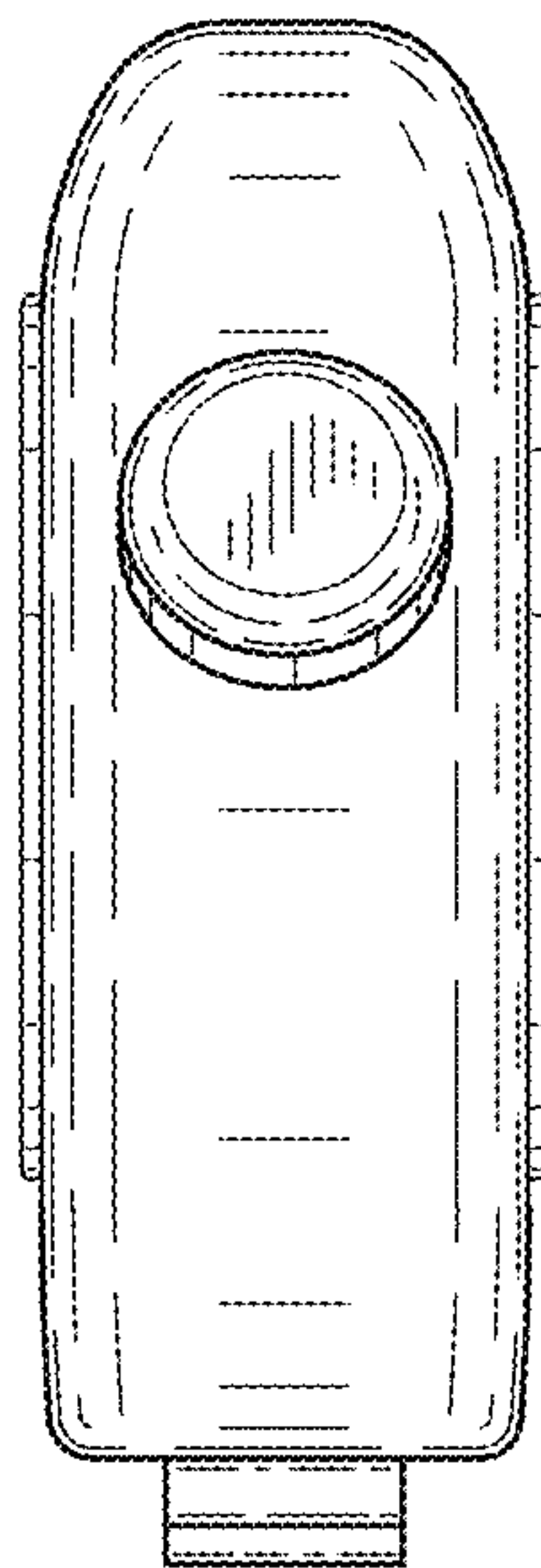


FIG. 7

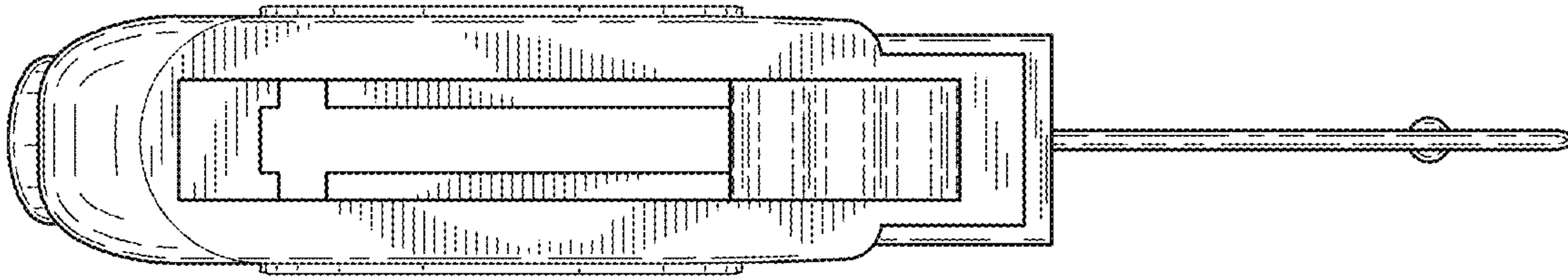


FIG. 8

