



US00D820557S

(12) **United States Design Patent**
Warman

(10) **Patent No.:** **US D820,557 S**
(45) **Date of Patent:** **** Jun. 19, 2018**

(54) **UNDERWEAR OR SHORTS WITH
INTERNAL POCKET**

D760,995 S * 7/2016 Astin D2/712
D761,520 S * 7/2016 Klein D2/712
D786,535 S * 5/2017 Grosse D2/738

(Continued)

(71) Applicant: **Ben Warman**, Newcastle-upon-Tyne
(GB)

Primary Examiner — Robin V Webster

(72) Inventor: **Ben Warman**, Newcastle-upon-Tyne
(GB)

Assistant Examiner — James C Thorn, Sr.

(**) Term: **15 Years**

(74) *Attorney, Agent, or Firm* — Winthrop & Weinstine,
P.A.

(21) Appl. No.: **29/573,544**

(22) Filed: **Aug. 8, 2016**

(57) **CLAIM**

The ornamental design for underwear or shorts with an
internal pocket, as shown and described.

(30) **Foreign Application Priority Data**

DESCRIPTION

Feb. 15, 2016 (EM) 002986992-0002

(51) **LOC (11) Cl.** **02-01**

(52) **U.S. Cl.**
USPC **D2/712**

(58) **Field of Classification Search**
USPC D2/712, 704, 738, 711, 713
CPC A41D 1/062; A41D 1/065; A41D 1/067;
A41D 1/08; A41D 7/00; A41D 7/005
See application file for complete search history.

FIG. 1 is an isometric view of the underwear or shorts with
an internal pocket, as the underwear or shorts would be
worn;

FIG. 2 is a front view of the underwear or shorts of FIG. 1,
as the underwear or shorts would be worn;

FIG. 3 is a rear view of the underwear or shorts of FIG. 1,
as the underwear or shorts would be worn;

FIG. 4 is a side view of the underwear or shorts of FIG. 1,
as the underwear or shorts would be worn;

FIG. 5 is a top view of the underwear or shorts of FIG. 1, as
the underwear or shorts would be worn;

FIG. 6 is a bottom view of the underwear or shorts of FIG.
1, as the underwear or shorts would be worn;

FIG. 7 is a top view of the underwear or shorts of FIG. 1,
shown in an open arrangement, where the interior of the
underwear or shorts is visible, illustrating the design of the
internal pocket; and,

FIG. 8 is cross-sectional view of an interior of the underwear
or shorts of FIG. 7, taken along cross-sectional reference
line 8-8 illustrated in FIG. 7.

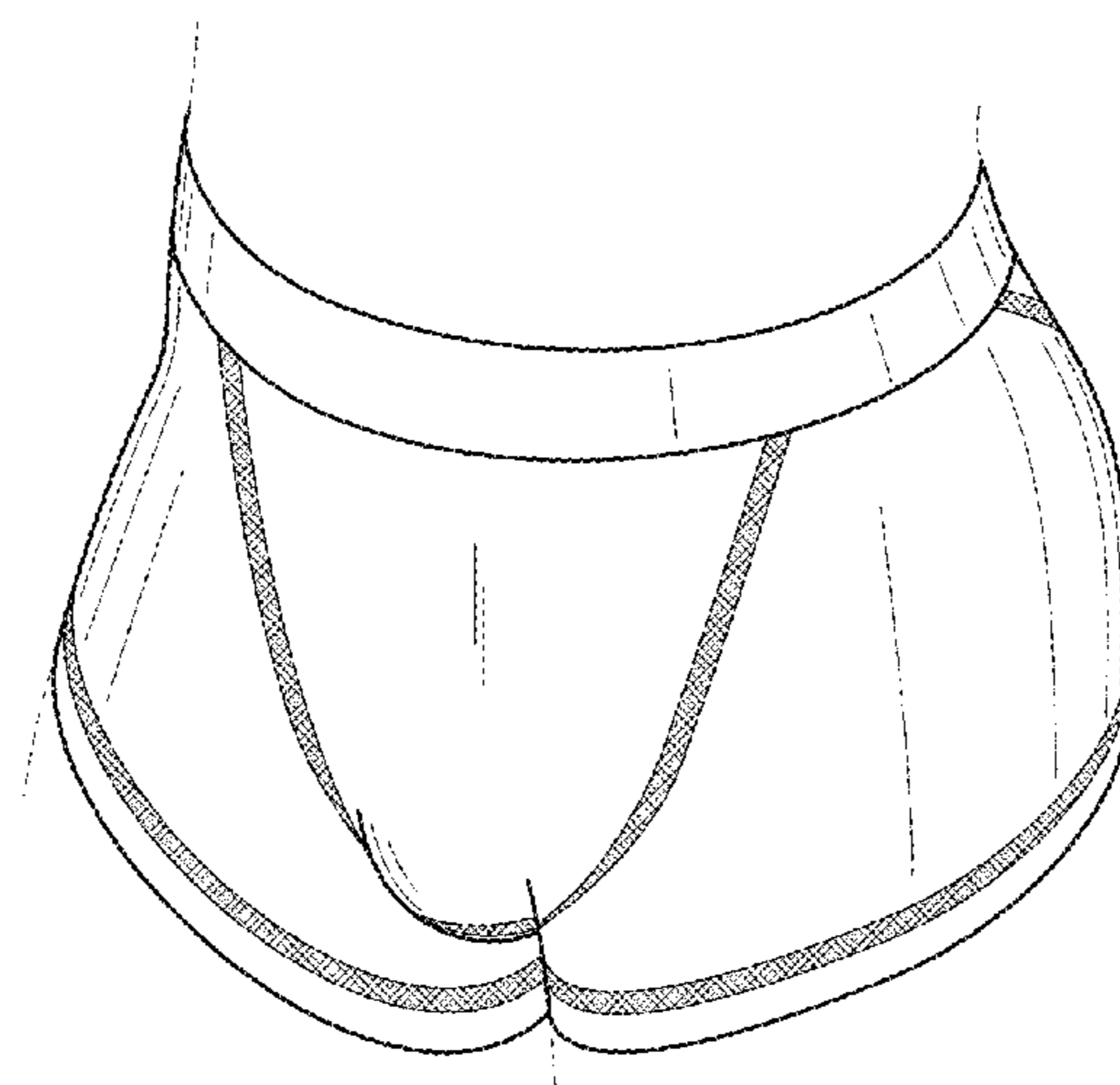
The broken lines of FIGS. 1-8 are provided for purposes of
illustration and form no part of the claimed design of the
present application.

(56) **References Cited**

U.S. PATENT DOCUMENTS

3,174,482 A * 3/1965 Parrott A41B 9/02
2/404
3,362,410 A * 1/1968 Jagers, Jr. A41C 1/003
450/116
D498,900 S * 11/2004 Fox D2/712
D564,179 S * 3/2008 Sutherland D2/712
D657,937 S * 4/2012 Jones D2/712
D677,447 S * 3/2013 Shoemaker A41B 9/008
D2/712
D687,617 S * 8/2013 LaCour-Phillippi D2/712
D702,918 S * 4/2014 Radford D2/712
D735,444 S * 8/2015 Harris D2/712
D759,345 S * 6/2016 Astin D2/712

1 Claim, 5 Drawing Sheets



(56)

References Cited

U.S. PATENT DOCUMENTS

2010/0005561 A1* 1/2010 Holland A41B 9/023
2/67
2015/0231482 A1* 8/2015 Ziehler A63B 71/1216
2/403

* cited by examiner

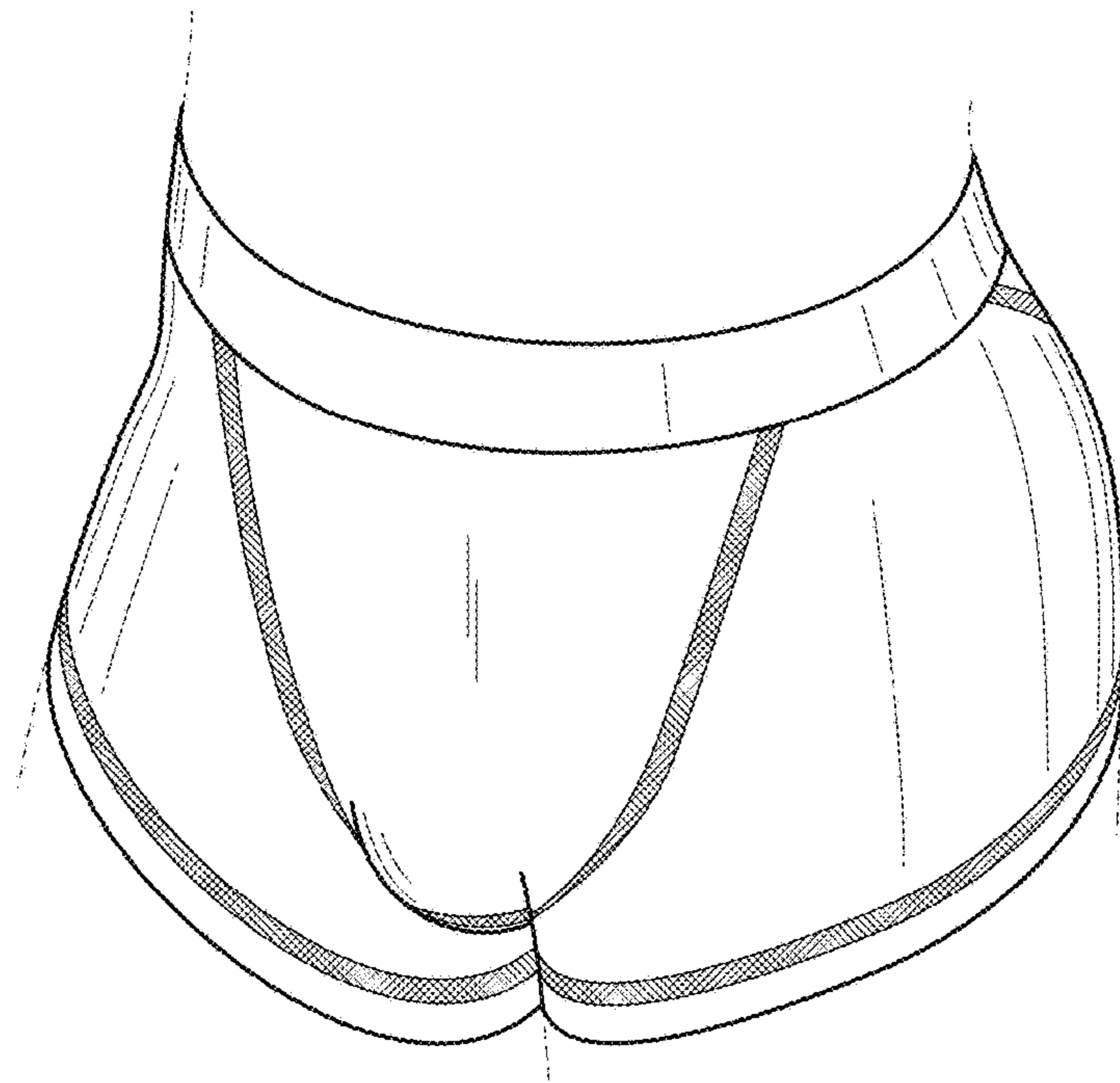


Fig. 1

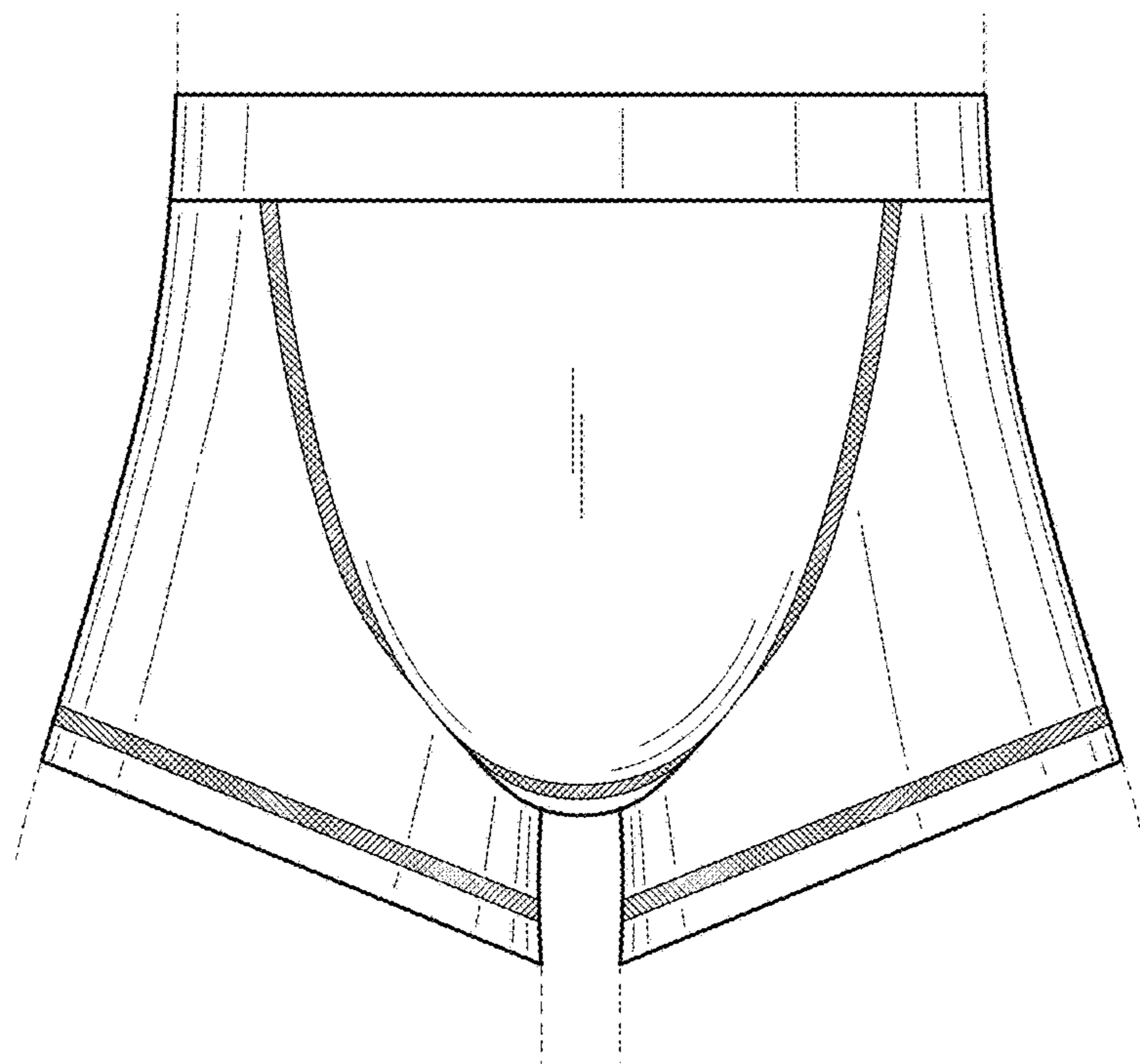


Fig. 2

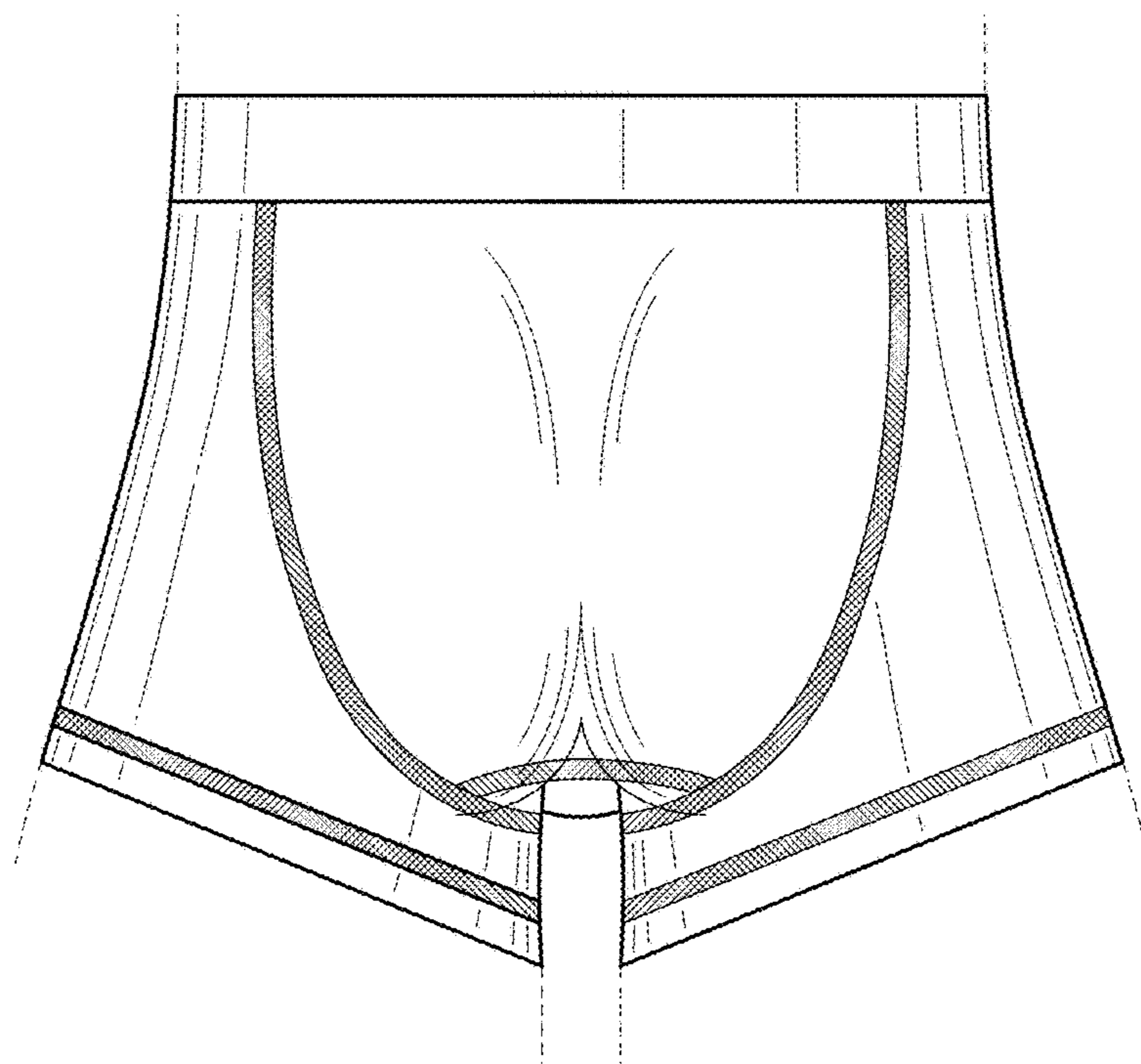


Fig. 3

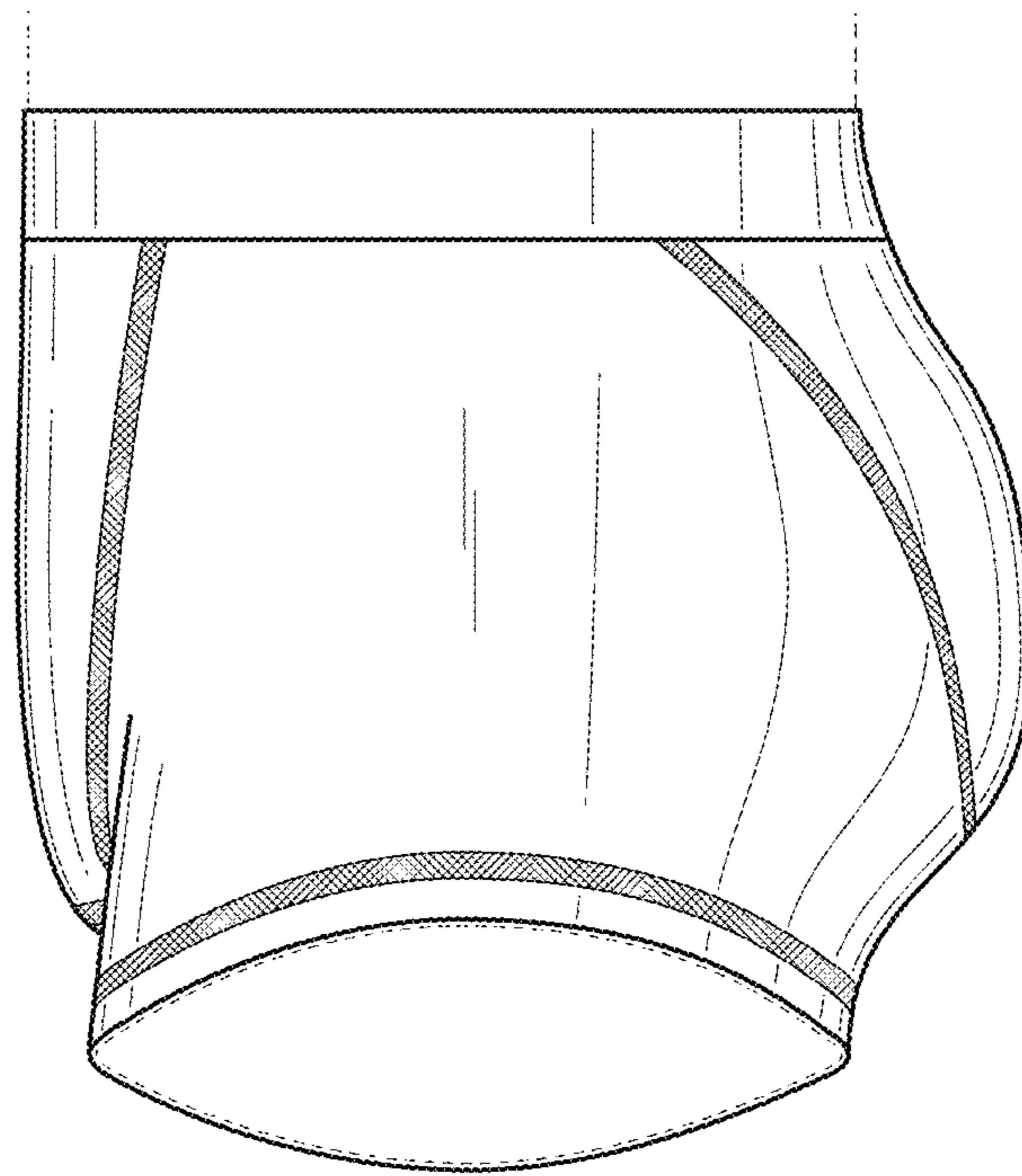


Fig. 4

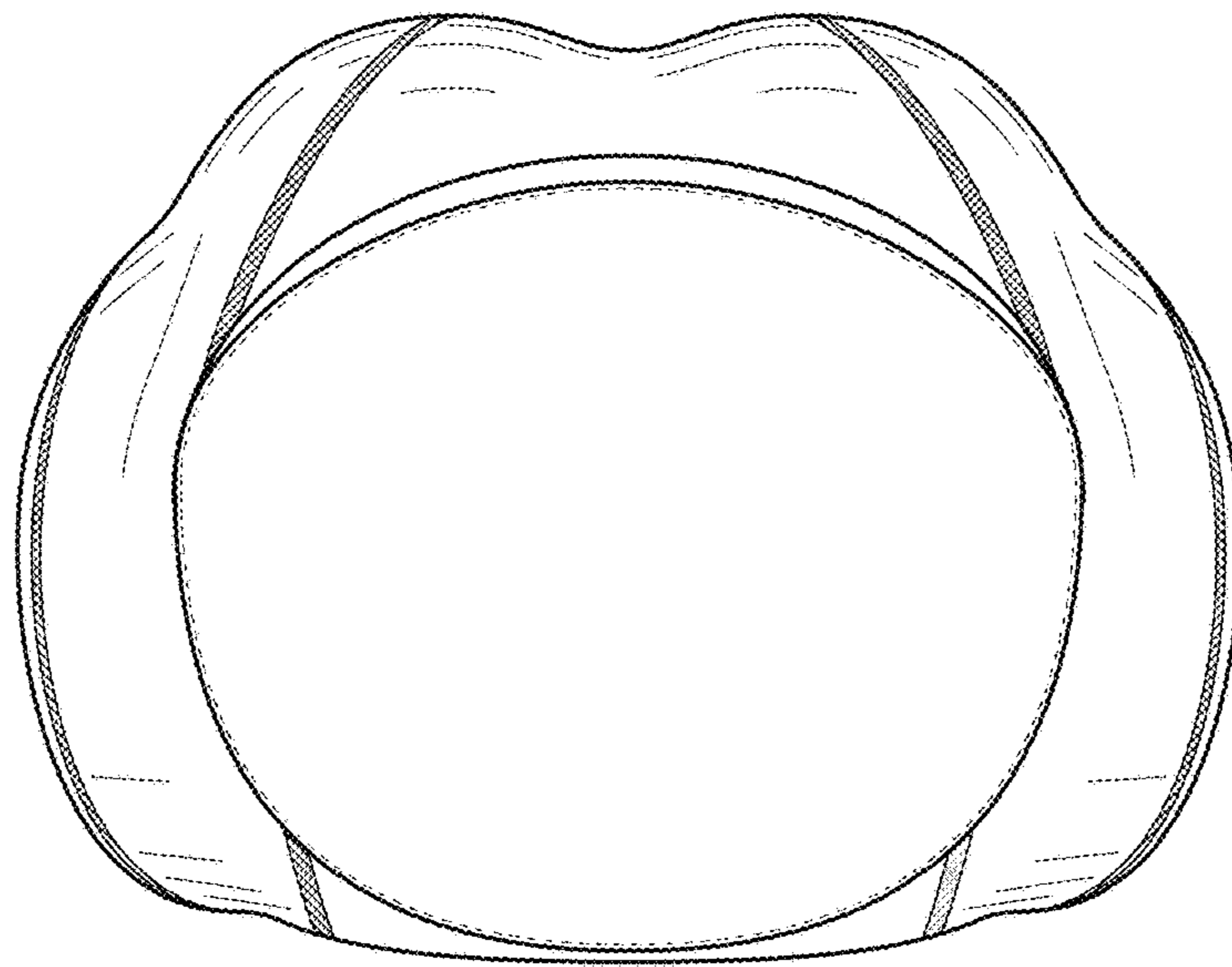


Fig. 5

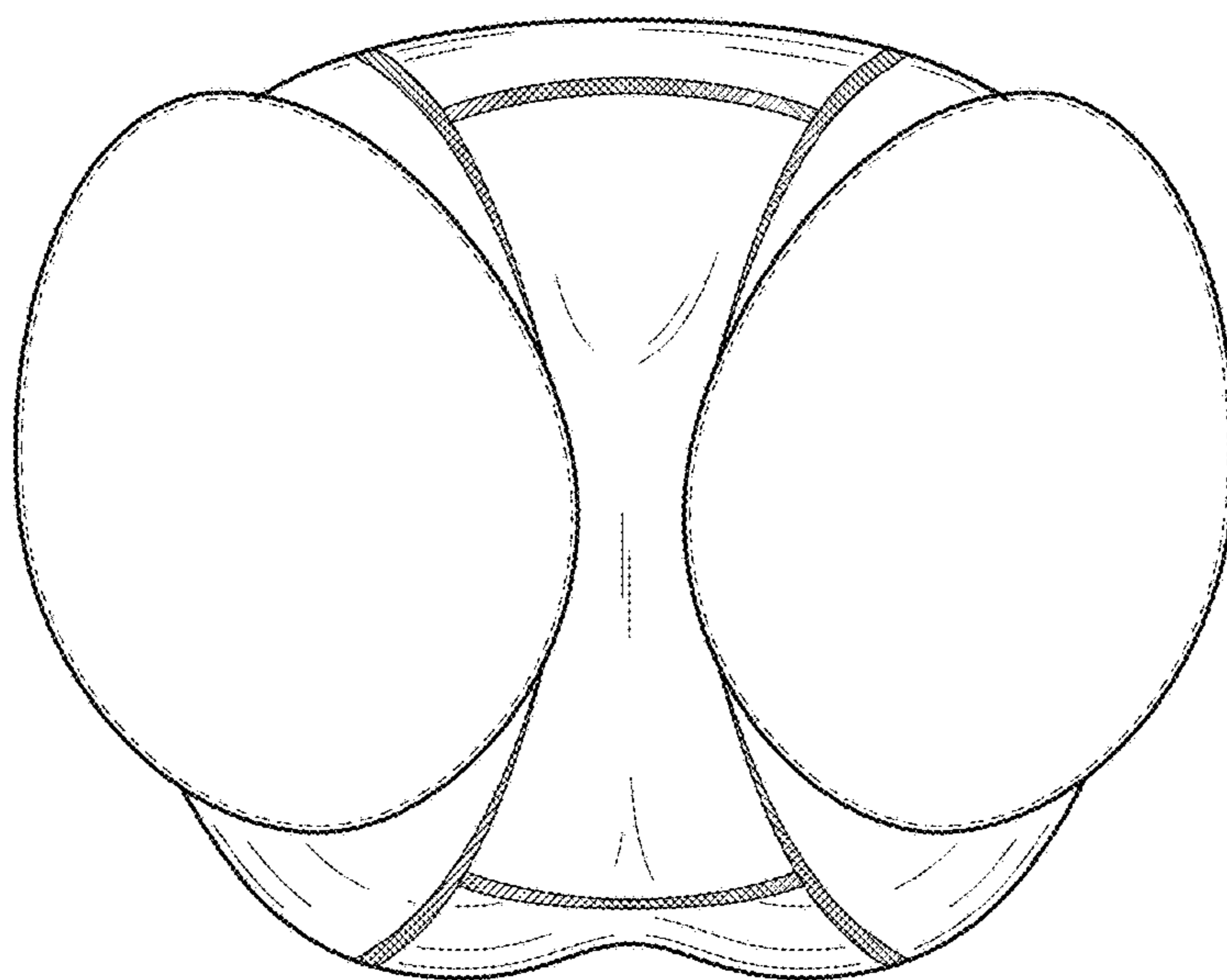


Fig. 6

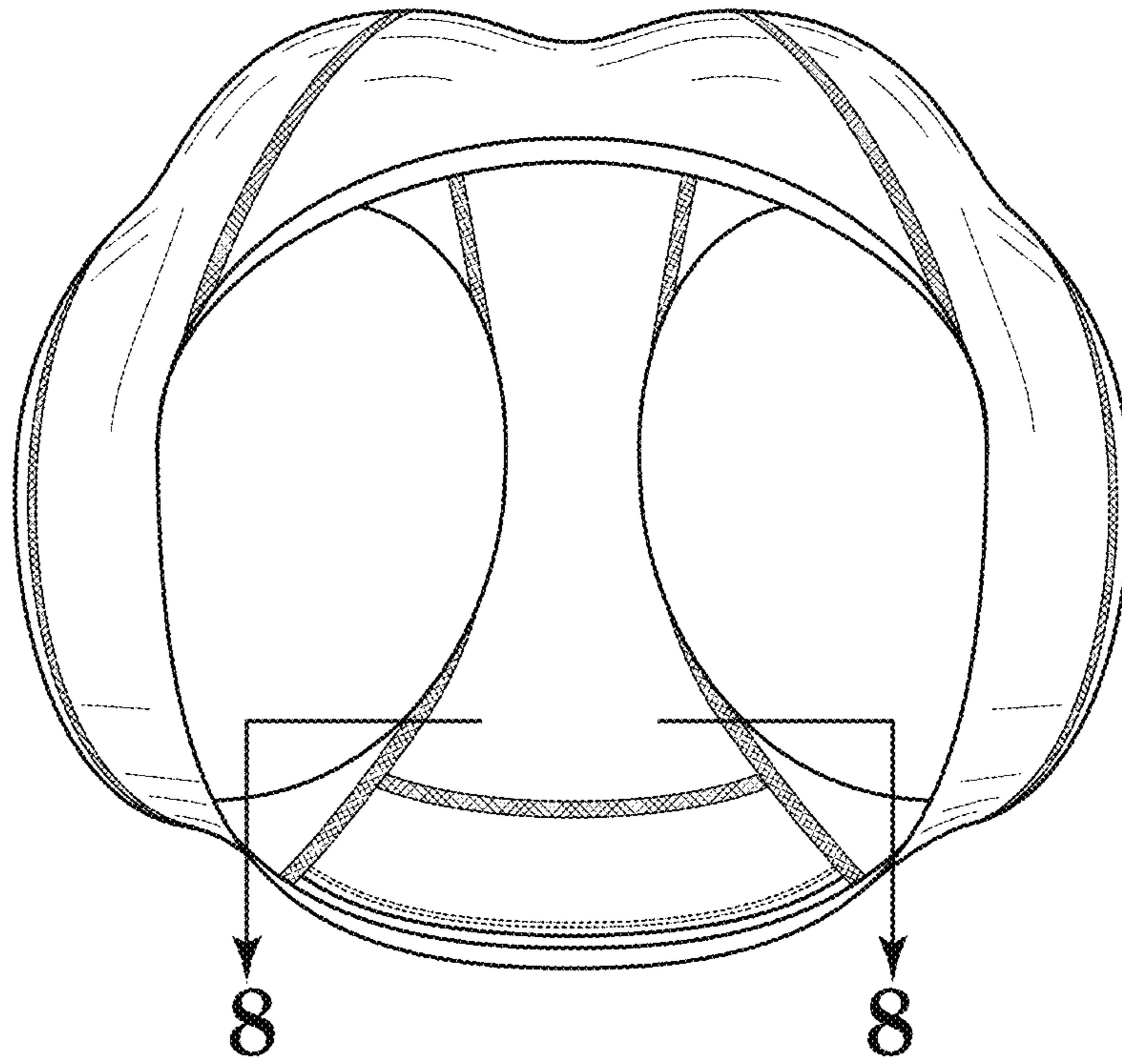


Fig. 7

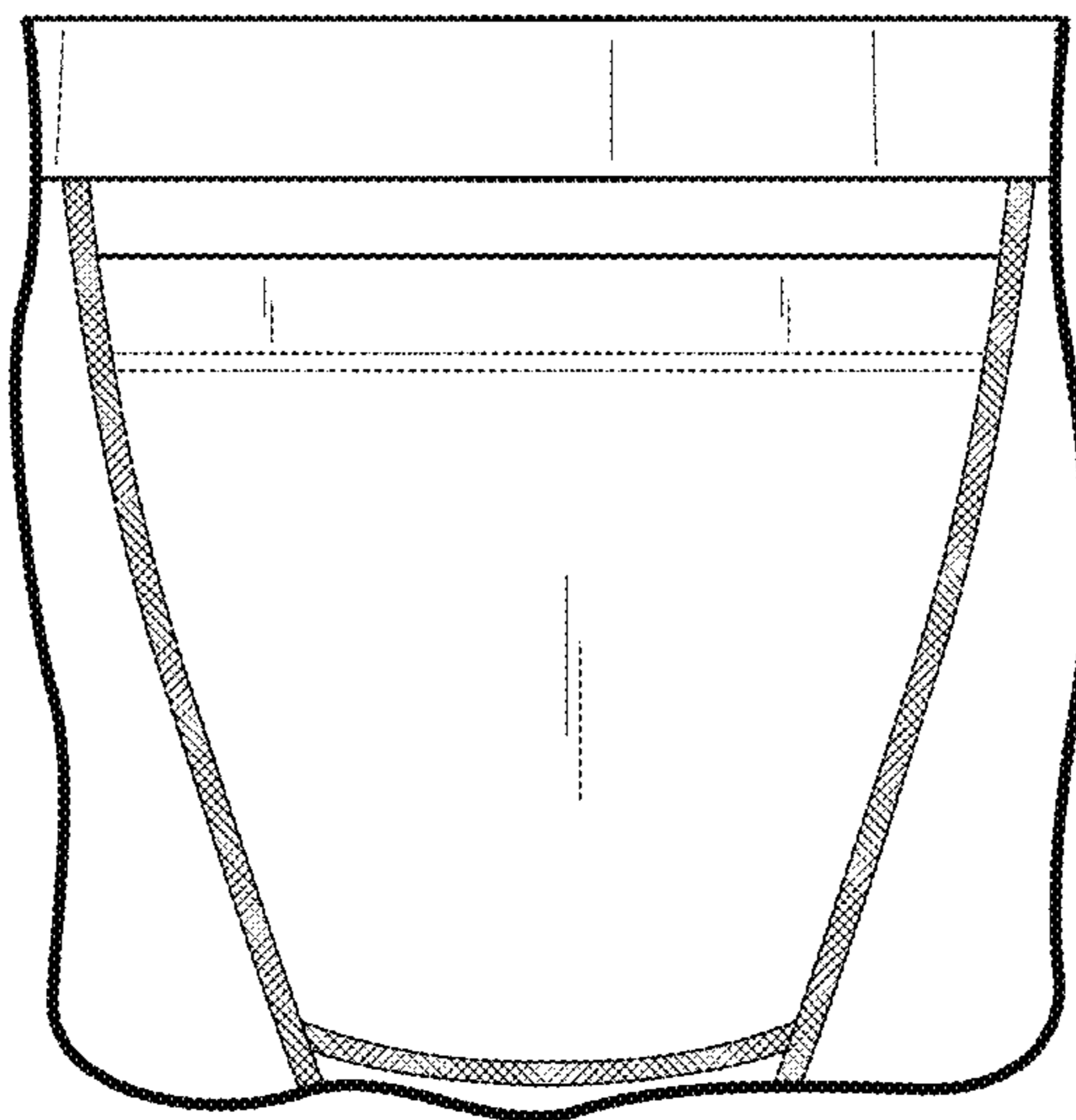


Fig. 8