



US00D820554S

(12) **United States Design Patent**
Lee et al.

(10) **Patent No.:** **US D820,554 S**
(45) **Date of Patent:** **** Jun. 12, 2018**

(54) **AUTOMATED TELLER MACHINE**

G07F 19/204; G07F 19/205; G07D 11/00;
G07D 11/0021; G07D 2201/00

(71) Applicant: **Nautilus Hyosung Inc.**, Seoul (KR)

See application file for complete search history.

(72) Inventors: **Hee Youn Lee**, Seongnam-si (KR);
Joon Hee Kim, Seoul (KR); **Jae Min Park**, Anyang-si (KR); **Jae Min Cha**,
Seongnam-si (KR)

(56) **References Cited**

U.S. PATENT DOCUMENTS

(73) Assignee: **NAUTILUS HYOSUNG INC.**, Seoul
(KR)

D304,207	S	*	10/1989	Wistrand	D20/2
D377,170	S	*	1/1997	Wilson	D14/130
D395,129	S	*	6/1998	Johnson	D14/130
D530,880	S	*	10/2006	Magee	D99/28
D605,191	S	*	12/2009	Kuroda	D14/307
D639,800	S	*	6/2011	Magruder	D14/307
D665,555	S	*	8/2012	Lee	D99/28
D707,012	S	*	6/2014	Swaine	D99/28
D722,740	S	*	2/2015	Budde	D99/28
D724,290	S	*	3/2015	Cha	D99/28
D732,015	S	*	6/2015	Alekhin	D14/307
D769,569	S	*	10/2016	Kennedy	D99/28
D772,521	S	*	11/2016	Graham	D99/28
D779,148	S	*	2/2017	Lee	D99/28
D782,147	S	*	3/2017	Lee	D99/28
D787,773	S	*	5/2017	Park	D99/28

(**) Term: **15 Years**

(21) Appl. No.: **29/585,892**

(22) Filed: **Nov. 29, 2016**

(30) **Foreign Application Priority Data**

Jun. 17, 2016 (KR) 30-2016-0029649

(51) **LOC (11) Cl.** **99-00**

(52) **U.S. Cl.**

USPC **D99/28**

(58) **Field of Classification Search**

USPC D99/28, 34, 35, 366, 43, 99;
D14/300-302, 305, 307, 900-902;
D18/3.1-3.4, 4.1-4.6, 12.1-12.3;
D21/324, 325, 329, 369, 370

CPC ... G07B 1/00; G07B 1/02; G07B 1/04; G07B
1/06; G07B 1/08; G07B 3/00; G07B
3/02; G07B 3/04; G07B 5/00; E05B
65/0075; E05G 1/00; E05G 1/005; E05G
1/02; E05G 1/024; E05G 5/00; E05G
5/003; E05G 5/006; E05G 5/02; E05G
7/00; E05G 7/001; E05G 2700/00; E05G
2700/02; G07F 19/00; G07F 19/20; G07F
19/201; G07F 19/202; G07F 19/203;

(Continued)

Primary Examiner — Elizabeth J Oswecki

(74) *Attorney, Agent, or Firm* — Fenwick & West LLP

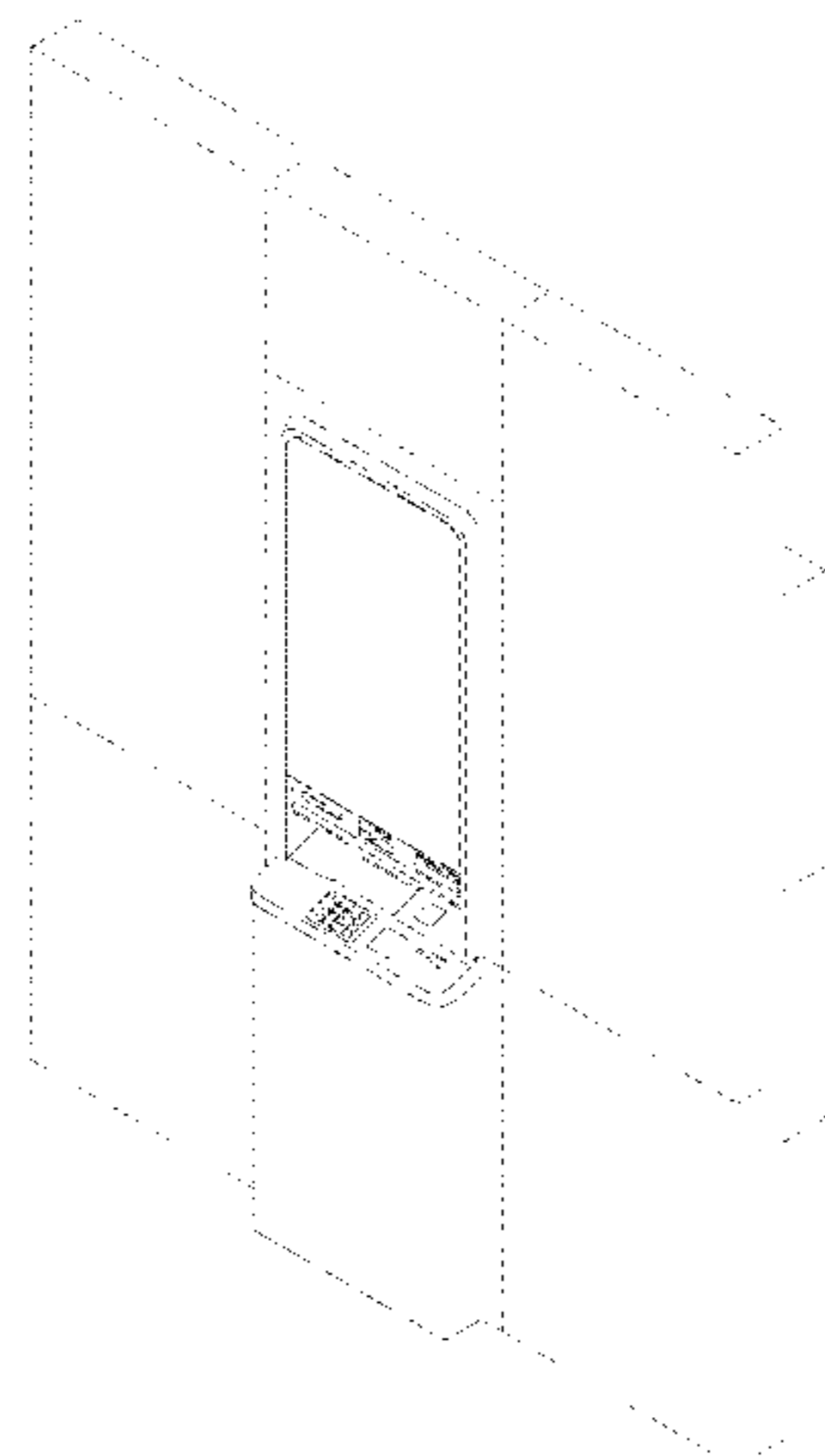
(57) **CLAIM**

The ornamental design for an automated teller machine, as shown and described.

DESCRIPTION

FIG. 1 is a perspective view of an automated teller machine, showing our new design;
FIG. 2 is a front view thereof;
FIG. 3 is a rear view thereof;
FIG. 4 is a left side view thereof;
FIG. 5 is a right side view thereof;
FIG. 6 is a top view thereof; and,
FIG. 7 is a bottom view thereof.

(Continued)



The broken lines shown in the drawings represent portions of the automated teller machine, that form no part of the claimed design.

1 Claim, 7 Drawing Sheets

(56) **References Cited**

U.S. PATENT DOCUMENTS

2002/0124271 A1* 9/2002 Herrmann G06Q 30/02
725/151
2004/0016796 A1* 1/2004 Hanna G06Q 20/105
235/375

* cited by examiner

Fig 1

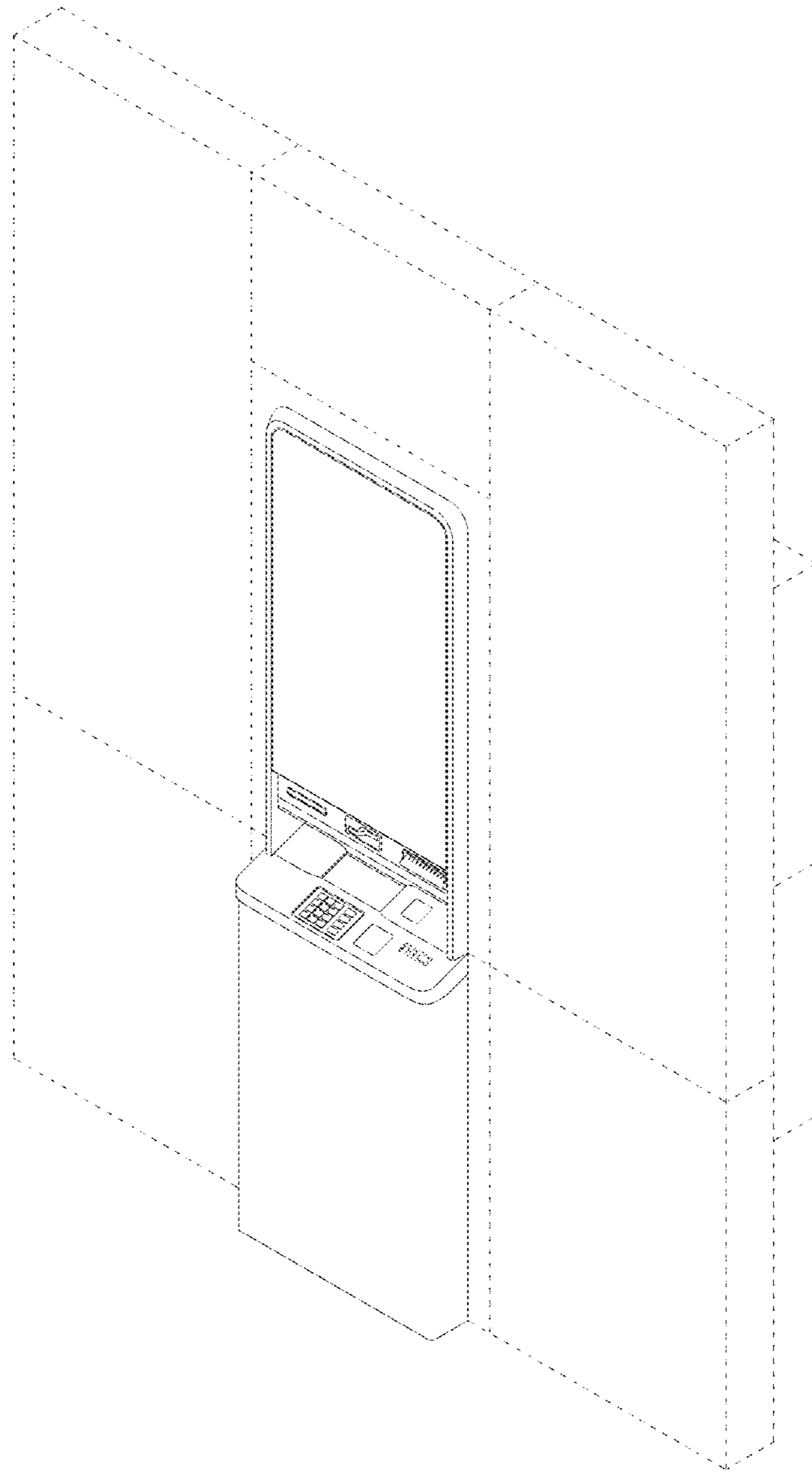


Fig 2

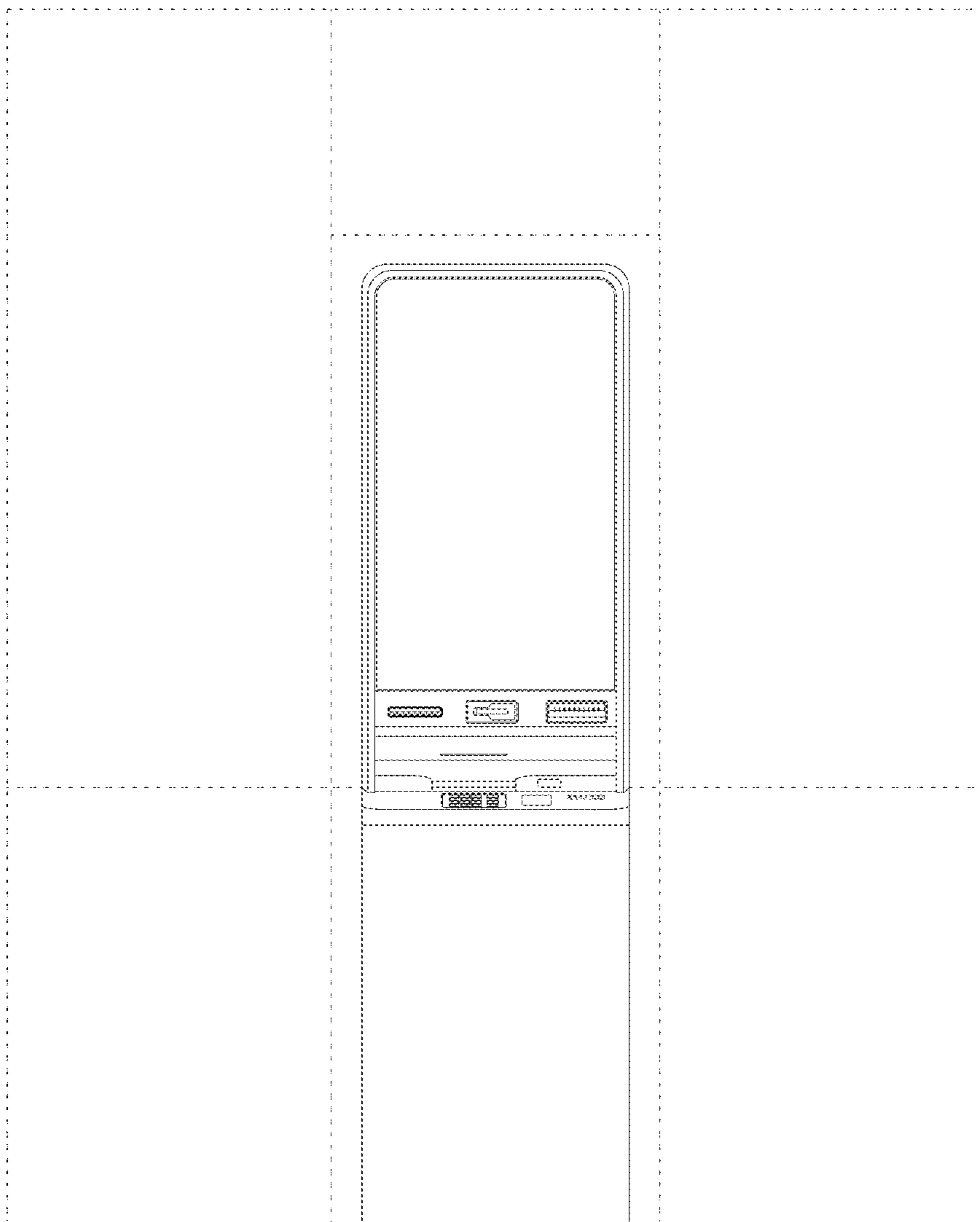


Fig 3

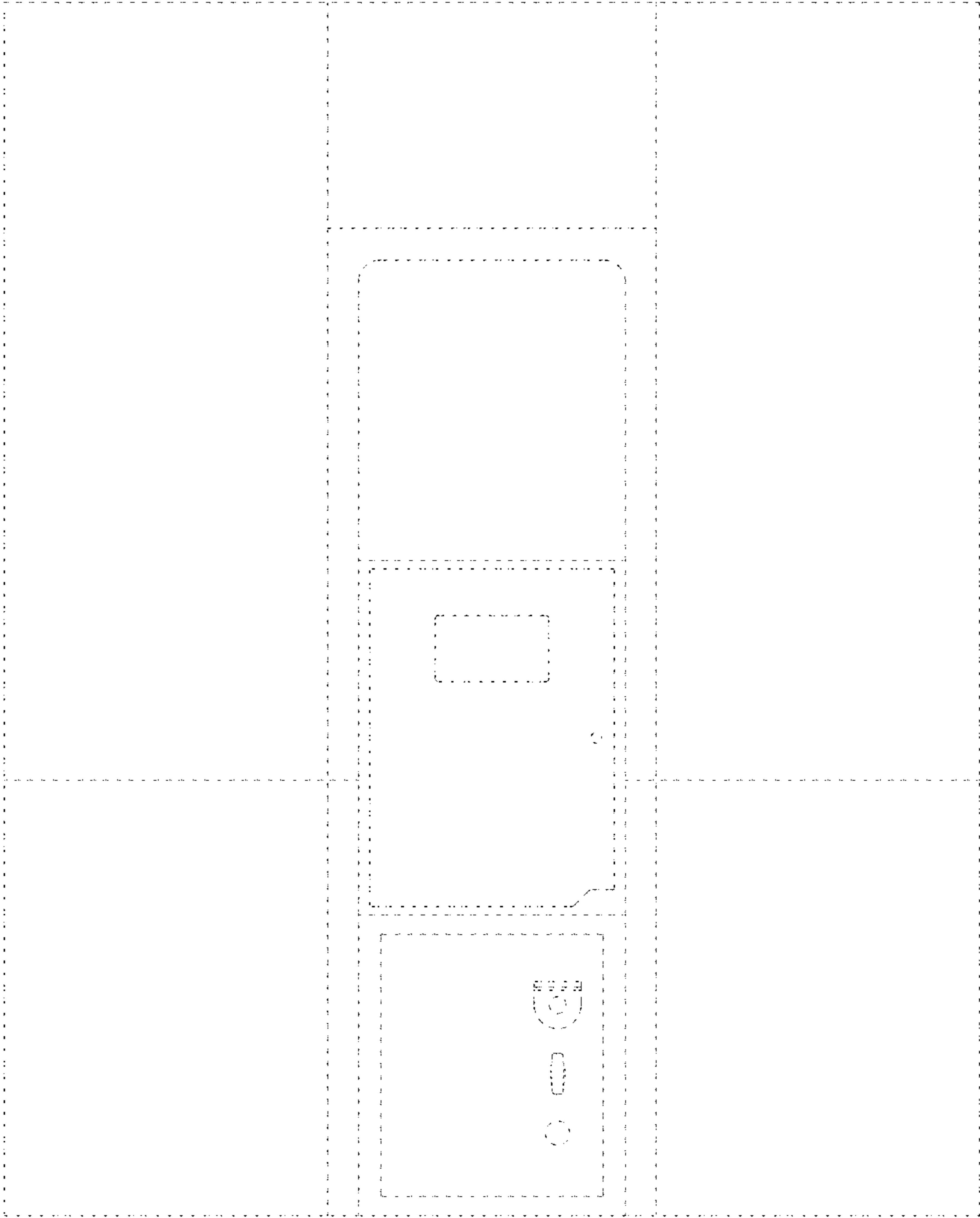


Fig 4

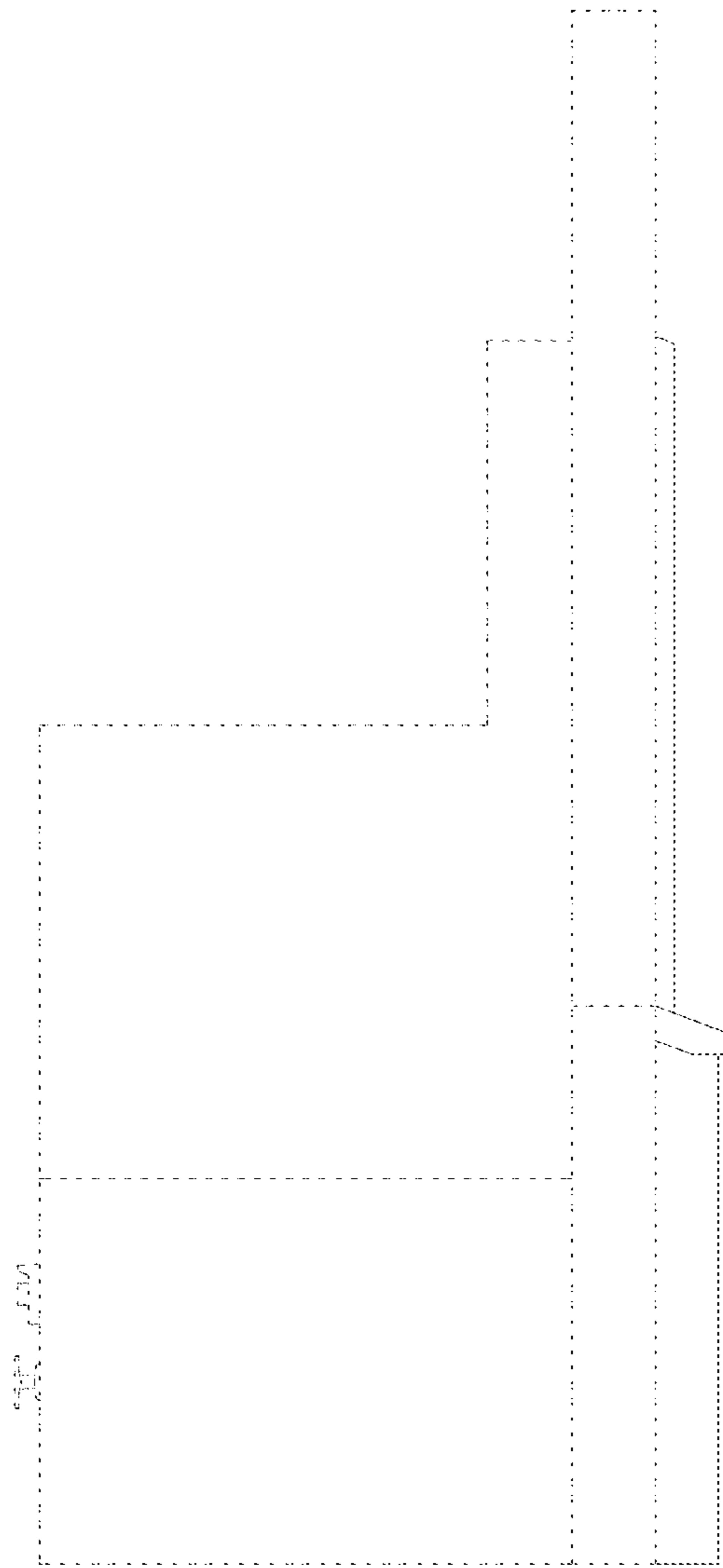


Fig 5

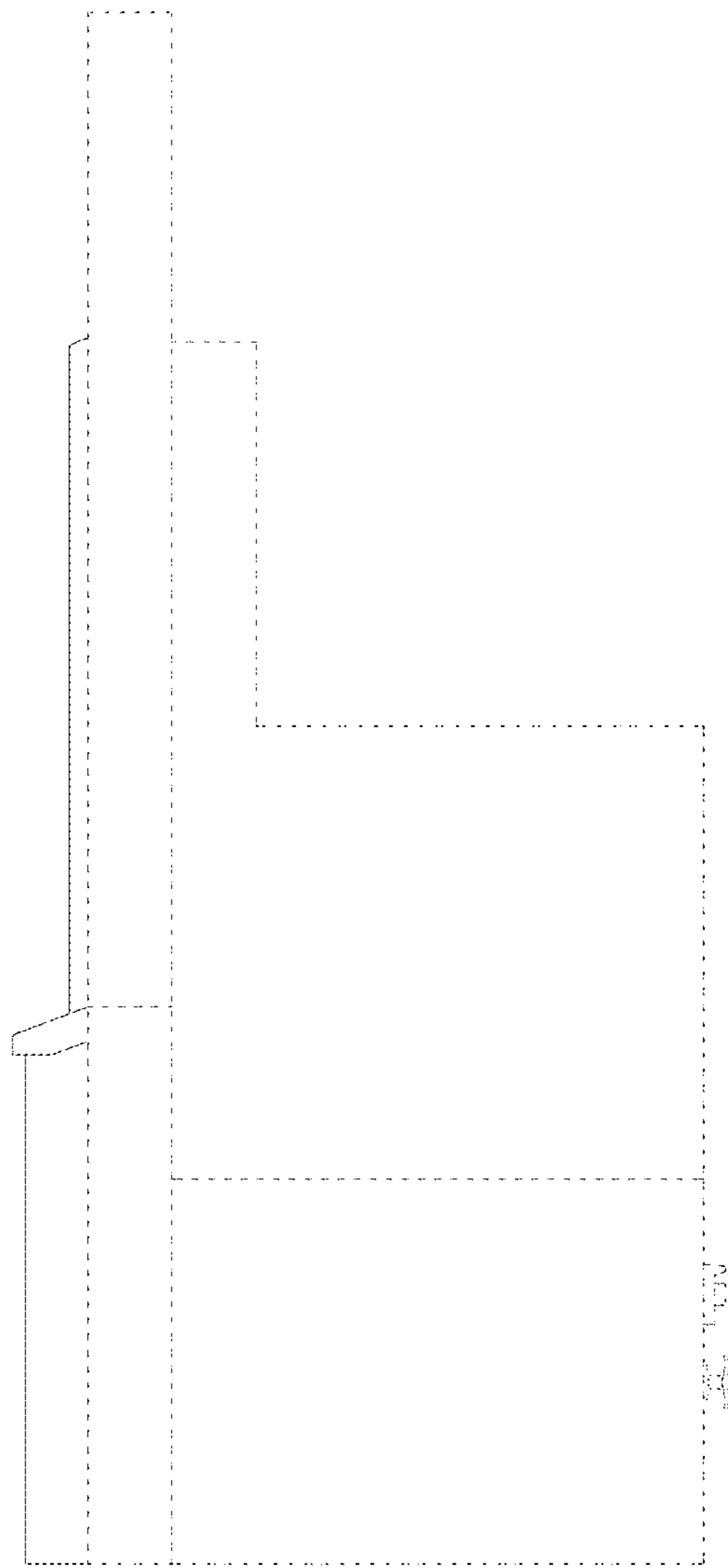


Fig 6

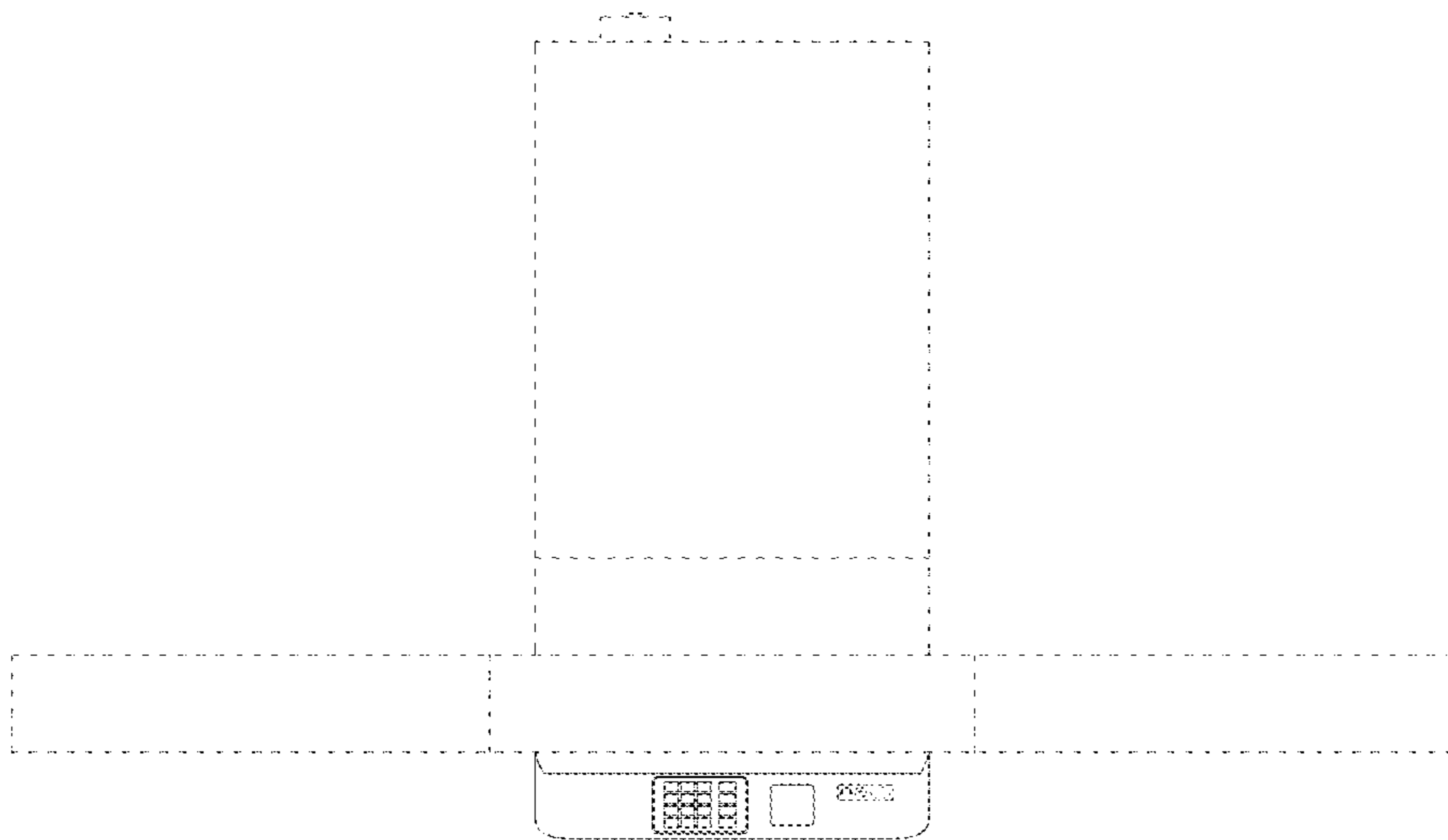


Fig 7

