



US00D820552S

(12) **United States Design Patent**
Duvigneau

(10) **Patent No.:** **US D820,552 S**
(45) **Date of Patent:** **** Jun. 12, 2018**

- (54) **HAMPER**
- (71) Applicant: **CURVER Luxembourg Sarl,**
Neidercorn (LU)
- (72) Inventor: **Nikolai Duvigneau, Zichron Yaacov**
(IL)
- (73) Assignee: **CURVER LUXEMBOURG SARL,**
Neidercorn (LU)
- (**) Term: **15 Years**

- D425,275 S * 5/2000 Delouvre D32/37
- D433,548 S * 11/2000 Baines D34/1
- D466,301 S * 12/2002 Sofy D3/307
- D477,145 S * 7/2003 Sofy D3/307
- 7,207,460 B2 * 4/2007 Sander D06F 95/002
220/676
- D546,511 S * 7/2007 Luster D32/37
- D584,020 S * 12/2008 McNamara D32/37
- D643,585 S * 8/2011 Duvigneau D32/37
- D775,830 S * 1/2017 Duvigneau D3/304
- D775,831 S * 1/2017 Duvigneau D3/304
- D777,434 S * 1/2017 Duvigneau D3/307

(Continued)

- (21) Appl. No.: **29/573,890**
- (22) Filed: **Aug. 10, 2016**
- (30) **Foreign Application Priority Data**
Feb. 11, 2016 (IL) 58066
- (51) **LOC (11) Cl.** **12-05**
- (52) **U.S. Cl.**
USPC **D34/37**
- (58) **Field of Classification Search**
USPC D34/1, 2, 3, 4, 5, 6, 7, 8, 9, 10, 11, 37,
D34/39; D6/403; D9/737, 738, 770,
D9/772, 778, 781; D11/143; D19/77,
D19/99; D23/202, 203, 205; 220/211,
220/4.04, 484, 495.08, 569, 62.12, 62.13,
220/703, 737, 748, 908.1, 908.2, 908,
220/909, 495.09, 810, 495.06; D32/37;
D3/304, 306, 307, 309, 312
CPC D06F 95/002; B65D 85/185; B65D 25/28;
B65D 21/0233; B65D 85/18
See application file for complete search history.

(56) **References Cited**
U.S. PATENT DOCUMENTS

- D277,993 S * 3/1985 Sinchok D3/309
- D343,711 S * 1/1994 Craft D32/37
- D380,088 S * 6/1997 Kolada D3/312
- D401,065 S * 11/1998 Peltola D3/304

OTHER PUBLICATIONS

Householdorganizer.us. "Infinity Laundry Basket Dots 410 Curver . . ." Oct. 13, 2017. <http://householdorganizer.us/curver-laundry-basket/infinity-laundry-basket-dots-401-curver-laundry-basket-grey-curver-laundry-hamper-grey-curver-laundry-basket-tesco/>. Shown on p. 1. (Year: 2017).*

Primary Examiner — Cynthia Ramirez
Assistant Examiner — Michael A Maharajh
(74) *Attorney, Agent, or Firm* — Vorys, Sater, Seymour & Pease LLP; Ari Zytcer

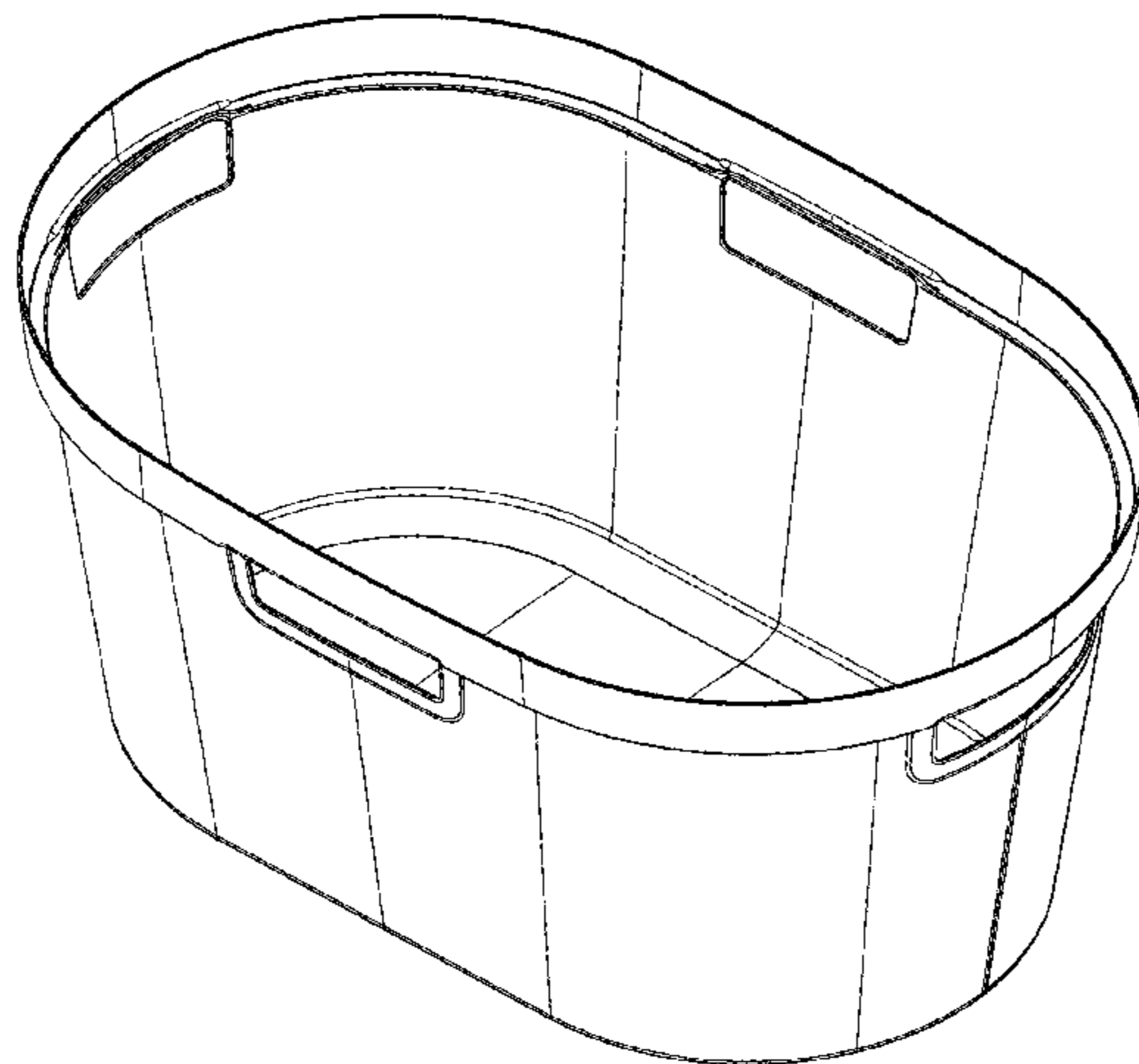
(57) **CLAIM**

The ornamental design for a hamper, as shown and described.

DESCRIPTION

FIG. 1 is a front perspective view of a hamper;
FIG. 2 is a bottom perspective view of the hamper as seen in FIG. 1;
FIG. 3 is a front view of the hamper as seen in FIG. 1, the rear view being a mirror image;
FIG. 4 is a side view of the hamper as seen in FIG. 1, the other side being a mirror image;
FIG. 5 is a top view of the hamper as seen in FIG. 1; and,
FIG. 6 is a bottom view of the hamper as seen in FIG. 1.

1 Claim, 6 Drawing Sheets



(56)

References Cited

U.S. PATENT DOCUMENTS

D788,466 S * 6/2017 Duvigneau D3/306
D789,089 S * 6/2017 Duvigneau D3/306

* cited by examiner

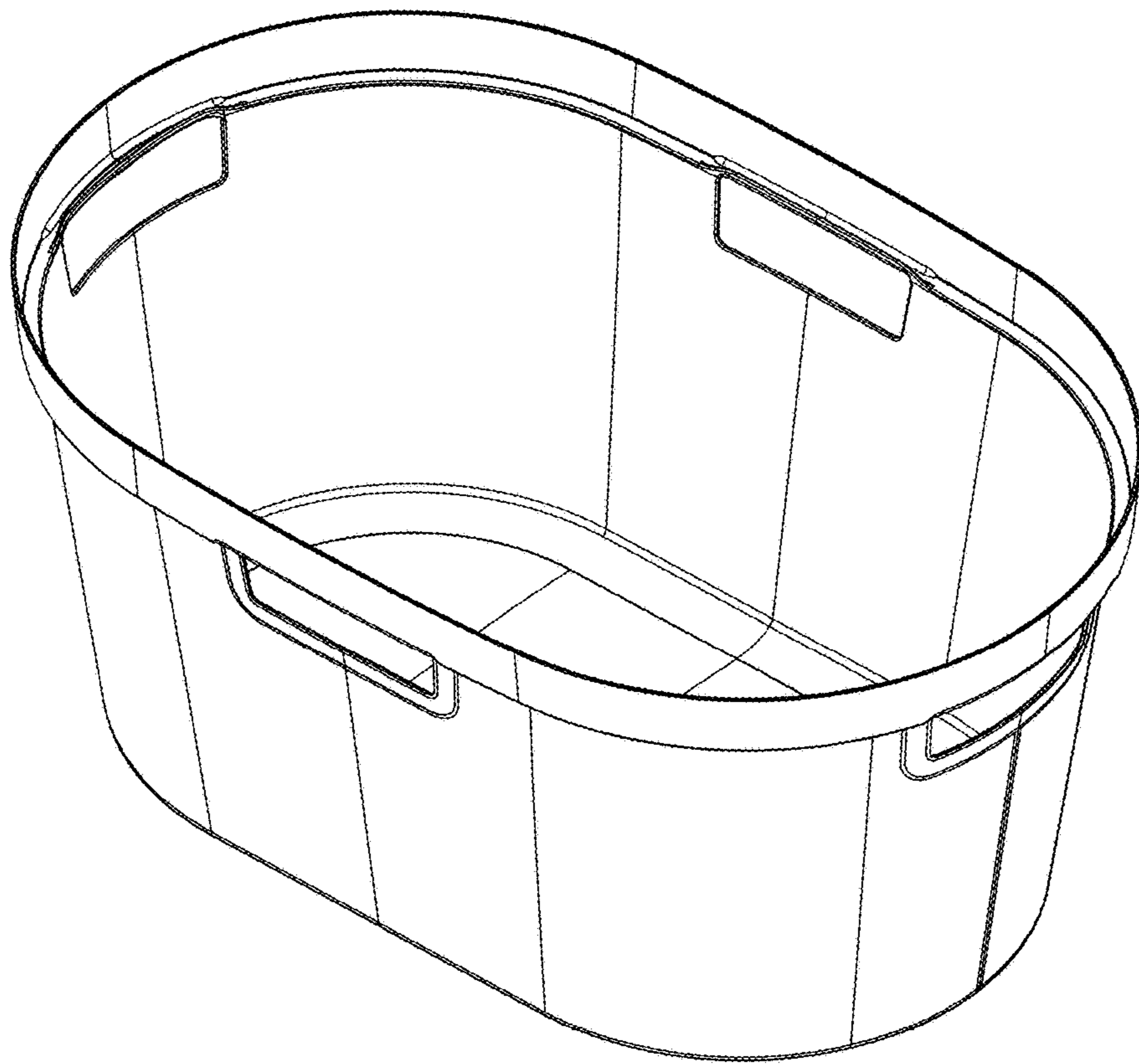


FIG. 1

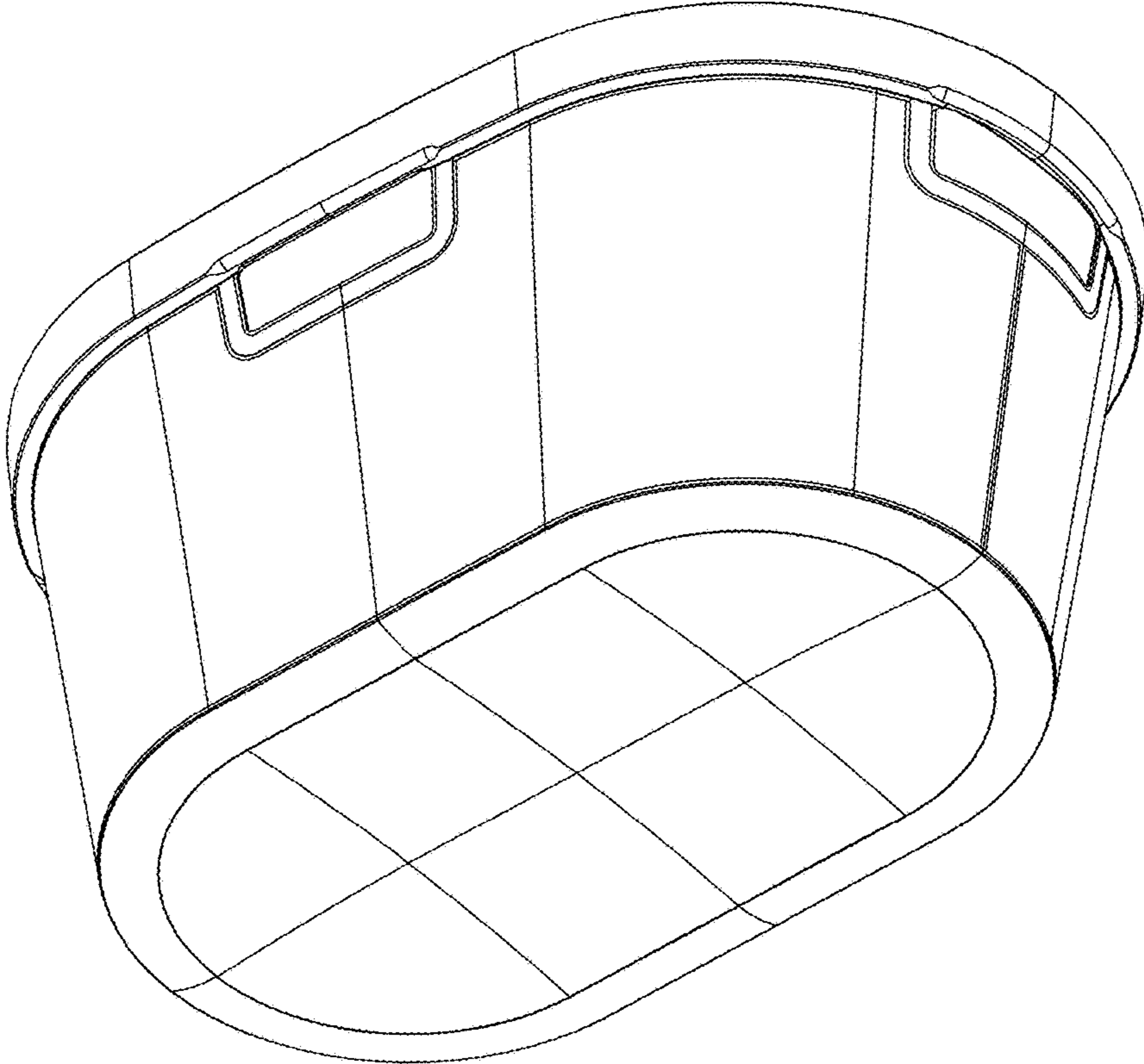


FIG. 2

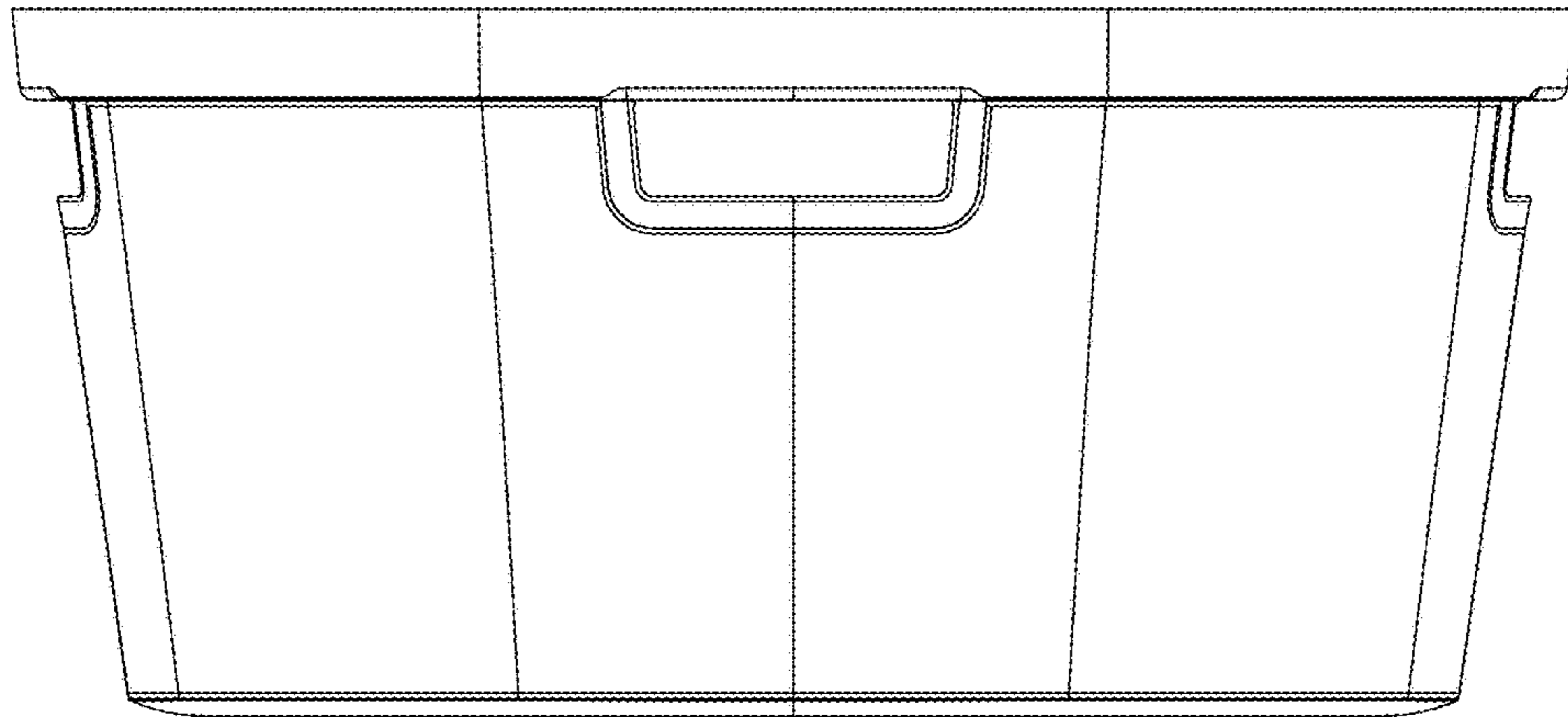


FIG. 3

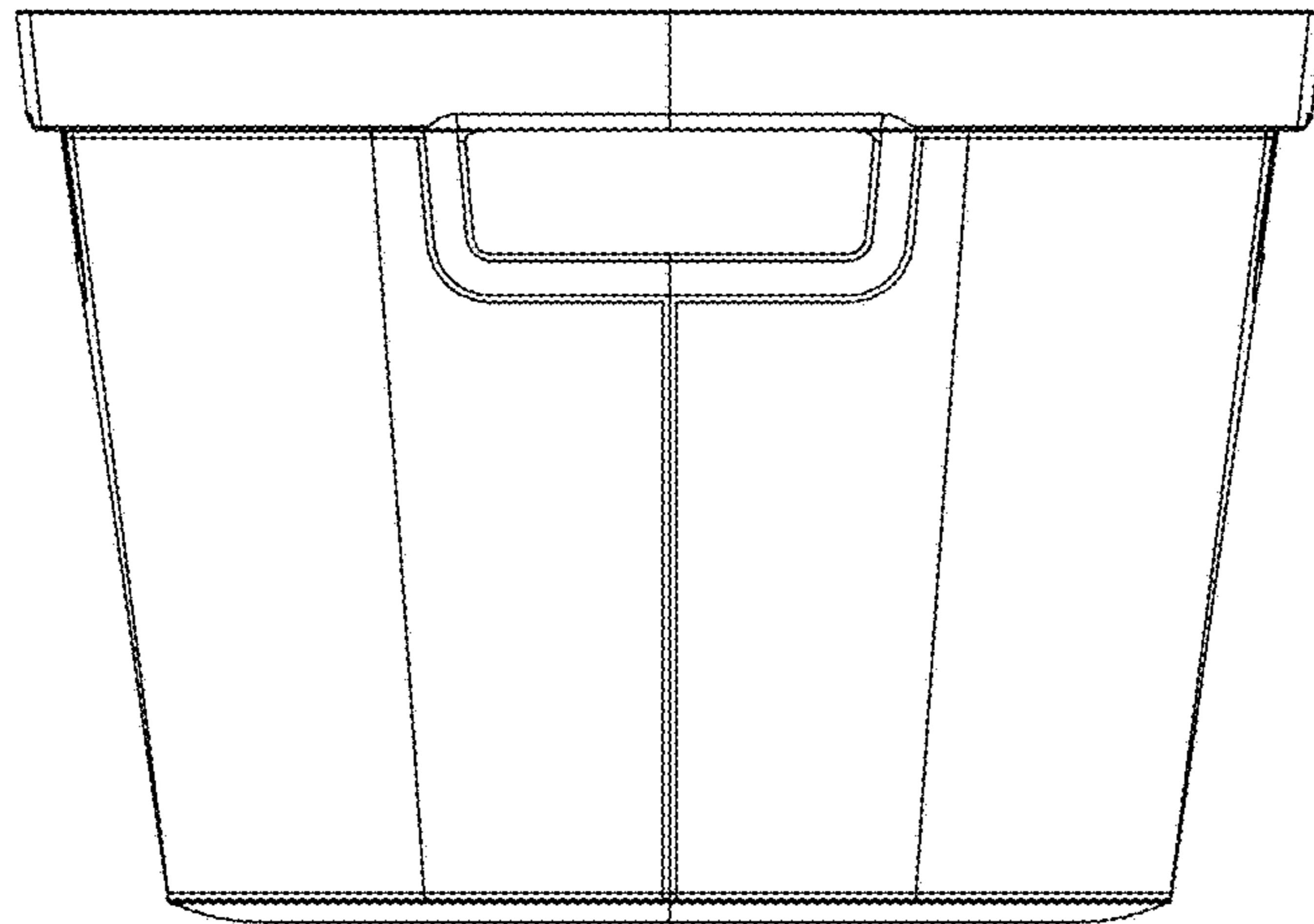


FIG. 4

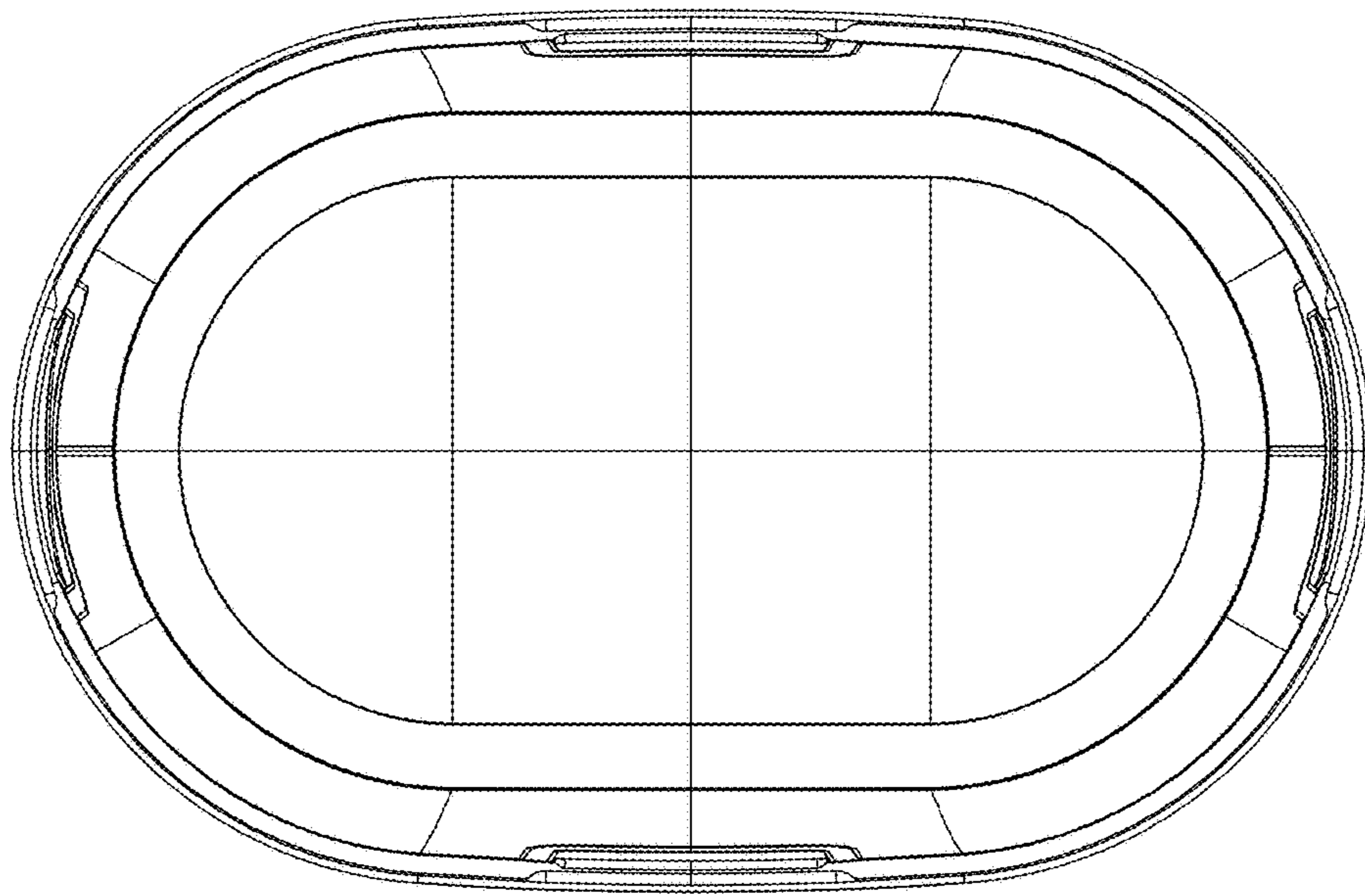


FIG. 5

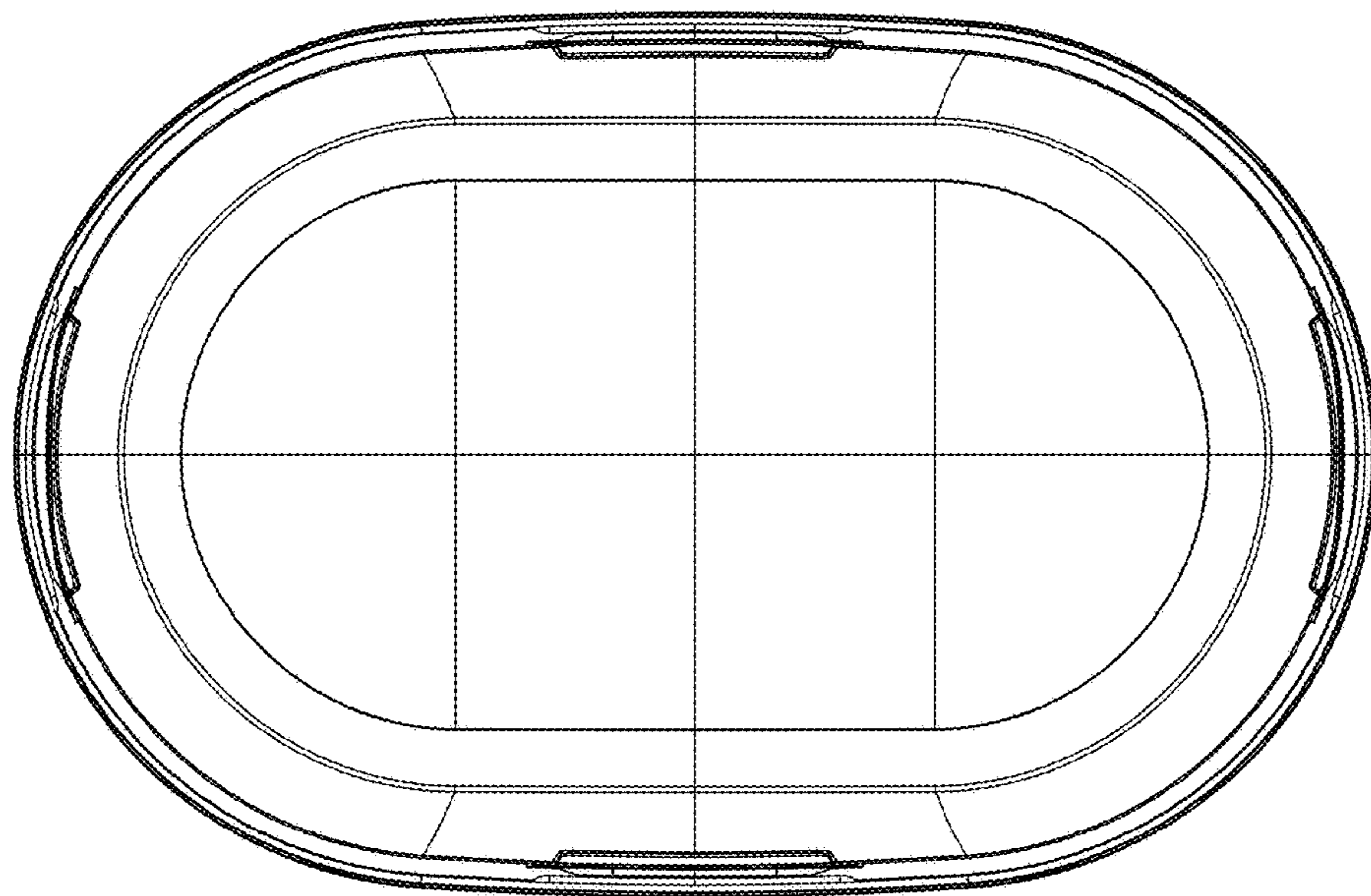


FIG. 6