



US00D820548S

(12) **United States Design Patent**
Lee

(10) **Patent No.:** **US D820,548 S**
(45) **Date of Patent:** **** Jun. 12, 2018**

(54) **GOLF CART**
(71) Applicant: **Chunghsin Lee**, Las Vegas, NV (US)
(72) Inventor: **Chunghsin Lee**, Las Vegas, NV (US)
(73) Assignee: **FTR Systems Inc.**, Las Vegas, NV (US)
(**) Term: **15 Years**
(21) Appl. No.: **29/505,269**
(22) Filed: **Aug. 18, 2015**
(51) **LOC (11) Cl.** **12-02**
(52) **U.S. Cl.**
USPC **D34/15**
(58) **Field of Classification Search**
USPC D34/12-15, 17, 18, 20-23, 26, 27;
280/651, 47.34, 47.371, 47.17, 47.24,
280/47.22; 180/211, 65.6, 19.1, 19.3,
180/215, 216
CPC B62B 2202/404; B62B 3/02; B62B 3/12;
B62B 2205/12; B62B 3/102; B62B
5/0447; B62B 1/12; B62B 5/0438; B62B
9/08
See application file for complete search history.

6,152,463 A * 11/2000 Wu B62B 5/06
280/47.17
D541,503 S * 4/2007 Lee D34/15
D664,732 S * 7/2012 Liao D34/15
2009/0115168 A1* 5/2009 Liao B62B 3/02
280/651
2010/0078906 A1* 4/2010 Pilgrim B62B 3/12
280/47.22
2010/0187035 A1* 7/2010 Lin B62B 3/001
180/211

* cited by examiner

Primary Examiner — Cynthia Ramirez
Assistant Examiner — Gino Colan
(74) *Attorney, Agent, or Firm* — Don Halgren

(57) **CLAIM**

The ornamental design for a golf cart, as shown.

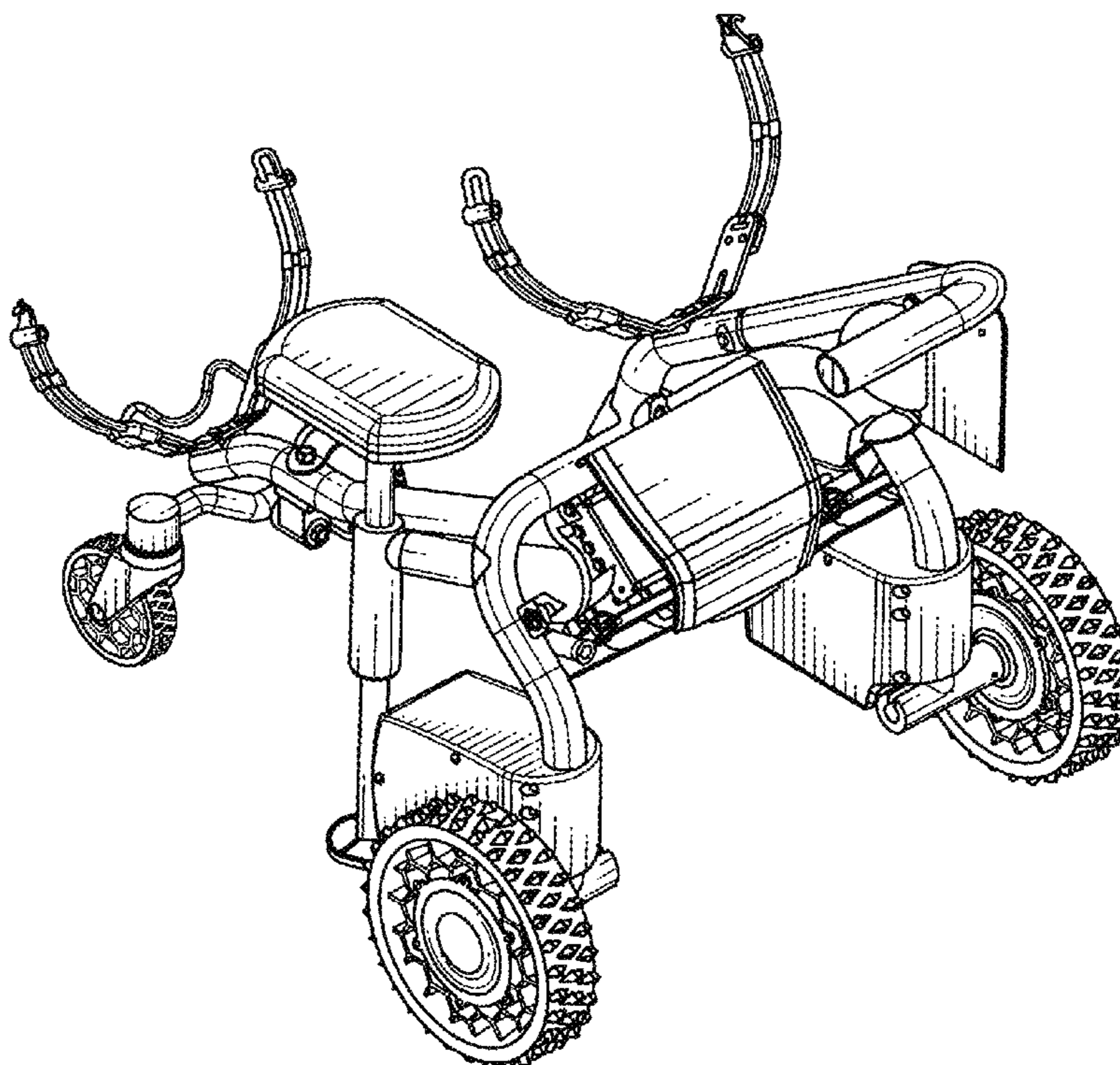
DESCRIPTION

FIG. 1 is a perspective view of a golf cart showing my new design;
FIG. 2 is a right elevation view thereof;
FIG. 3 is a left elevation view thereof;
FIG. 4 is a bottom plan view thereof;
FIG. 5 is a front elevation view thereof;
FIG. 6 is rear elevation view thereof; and,
FIG. 7 is a top plan view thereof.

(56) **References Cited**
U.S. PATENT DOCUMENTS

D348,965 S * 7/1994 Machen D34/15
D356,410 S * 3/1995 Cole D34/15

1 Claim, 7 Drawing Sheets



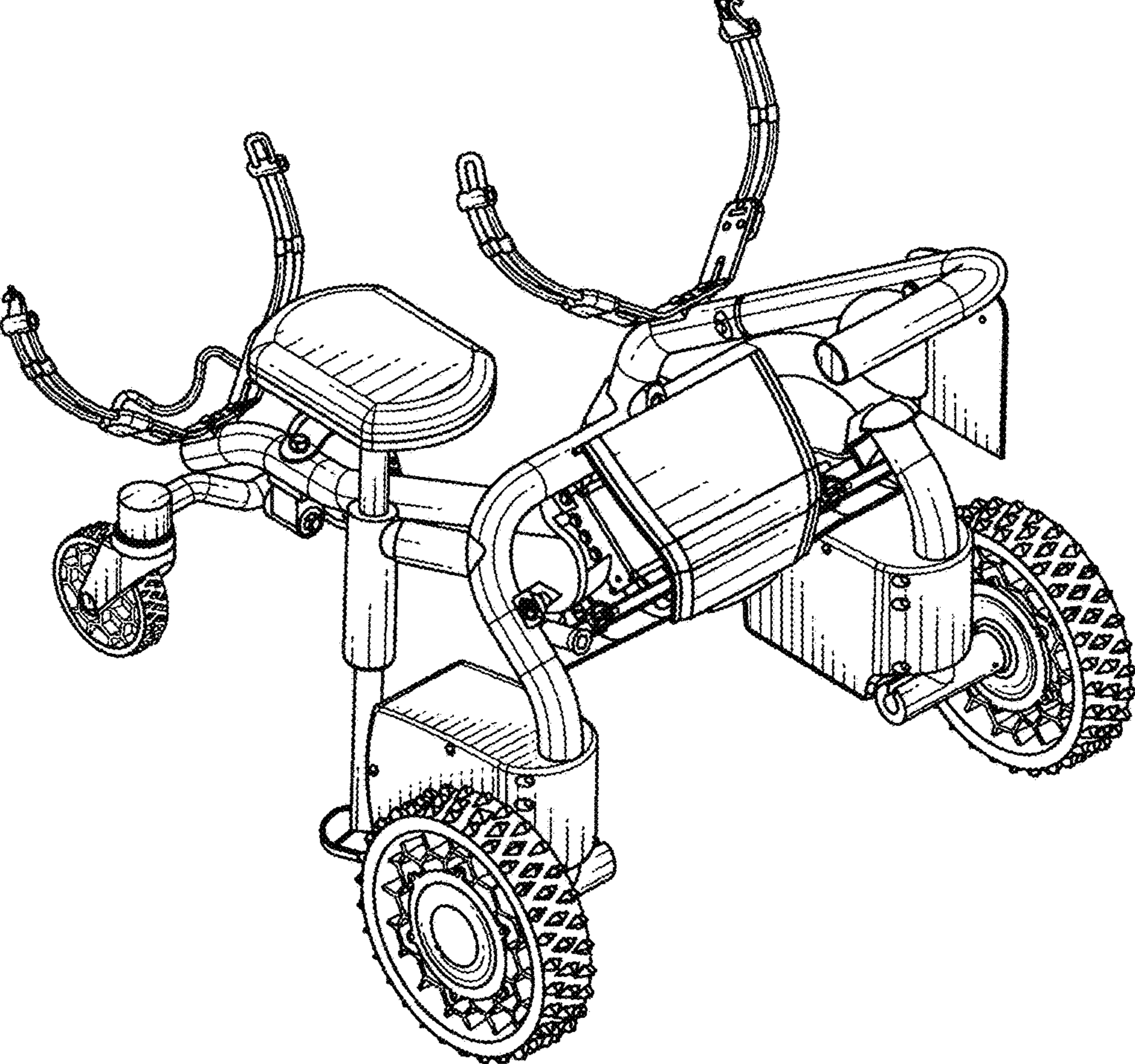


FIG. 1

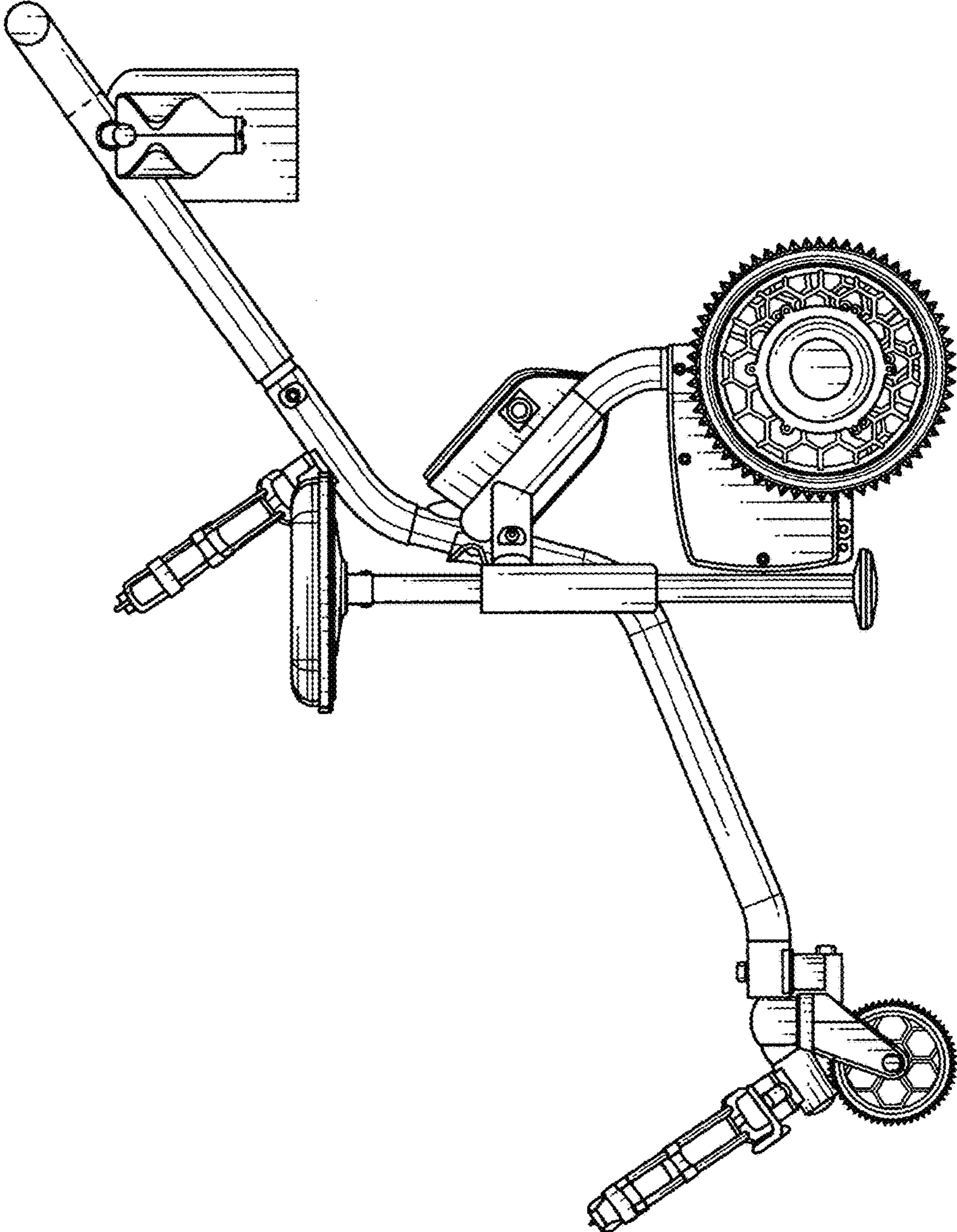


FIG. 2

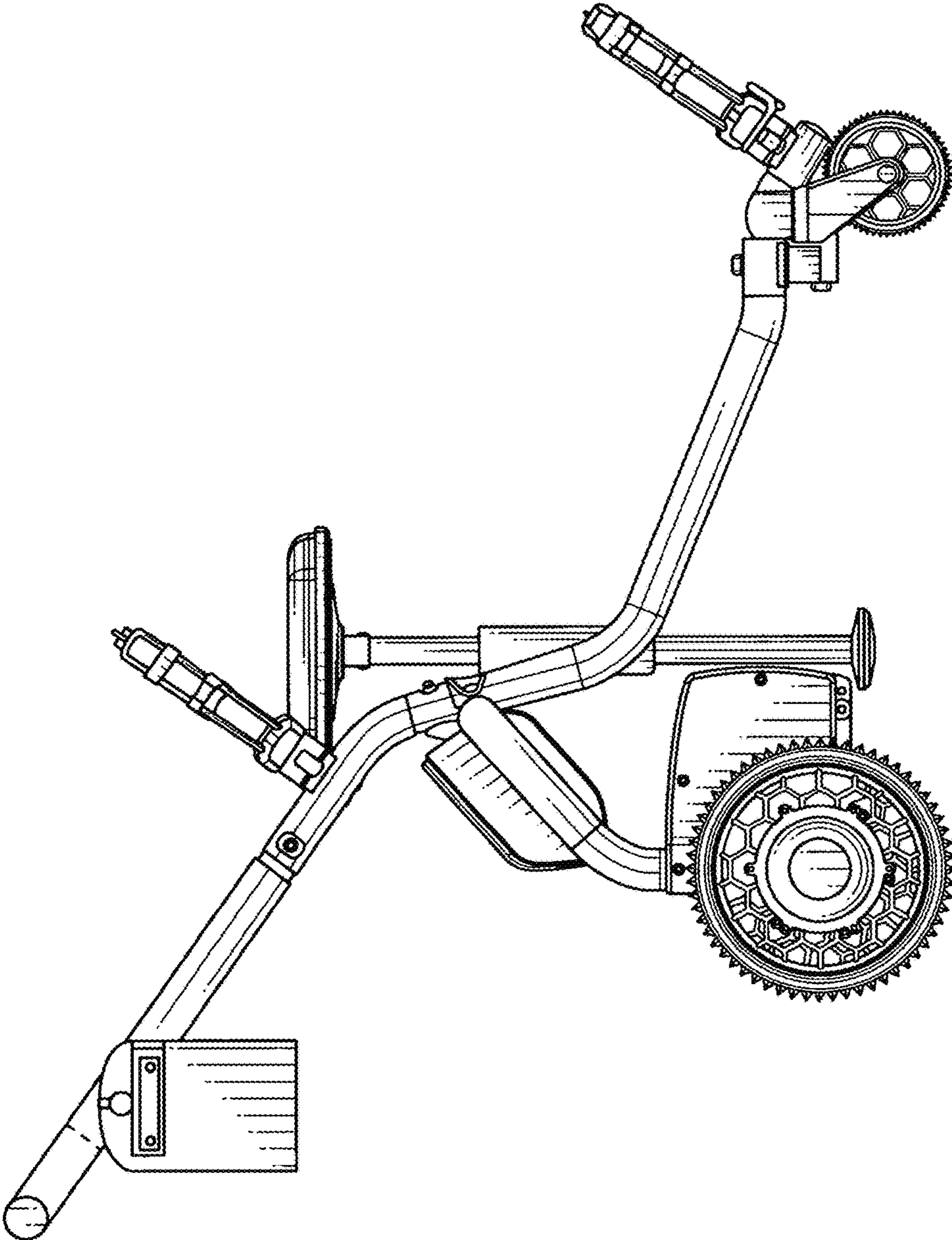


FIG. 3

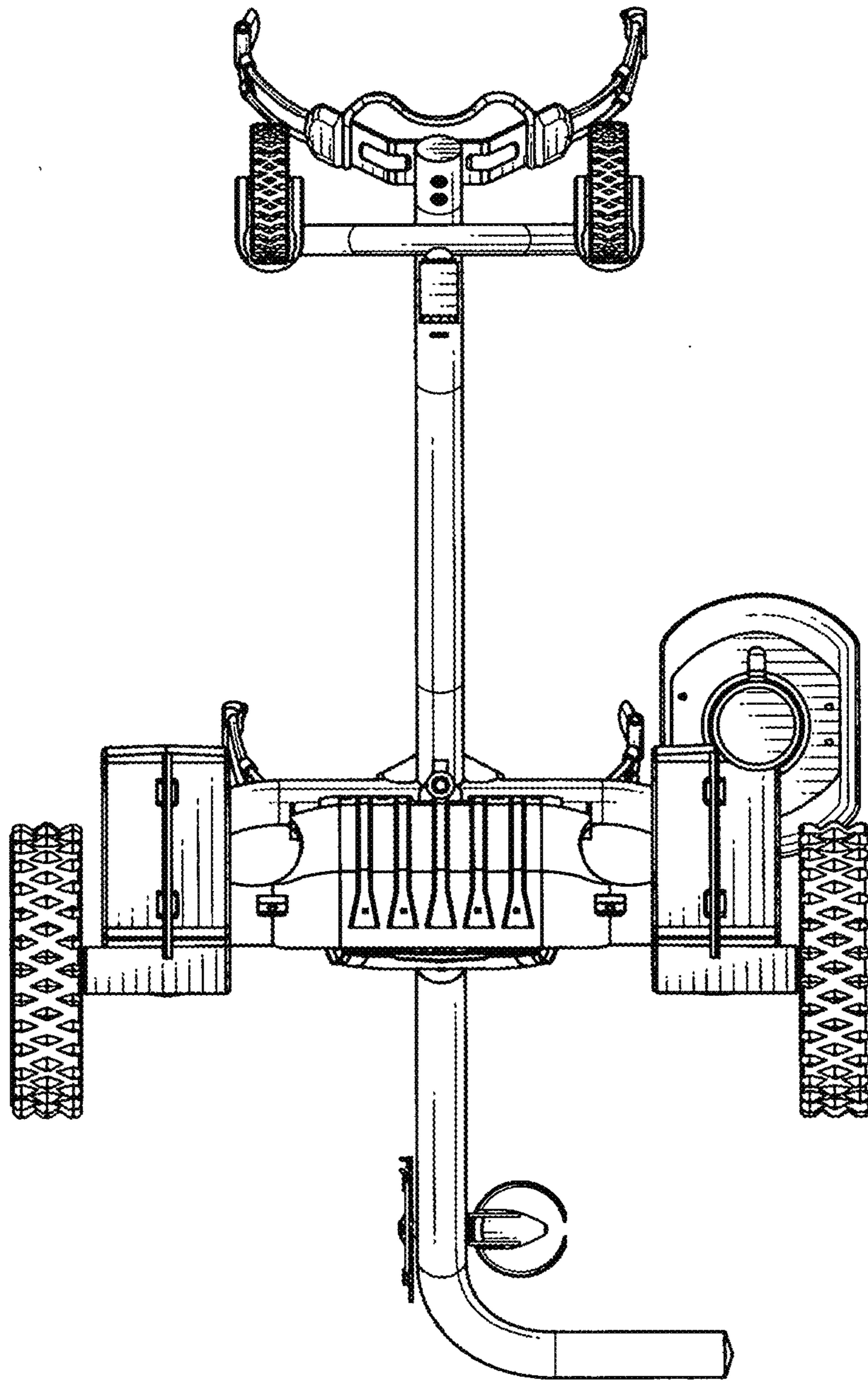


FIG. 4

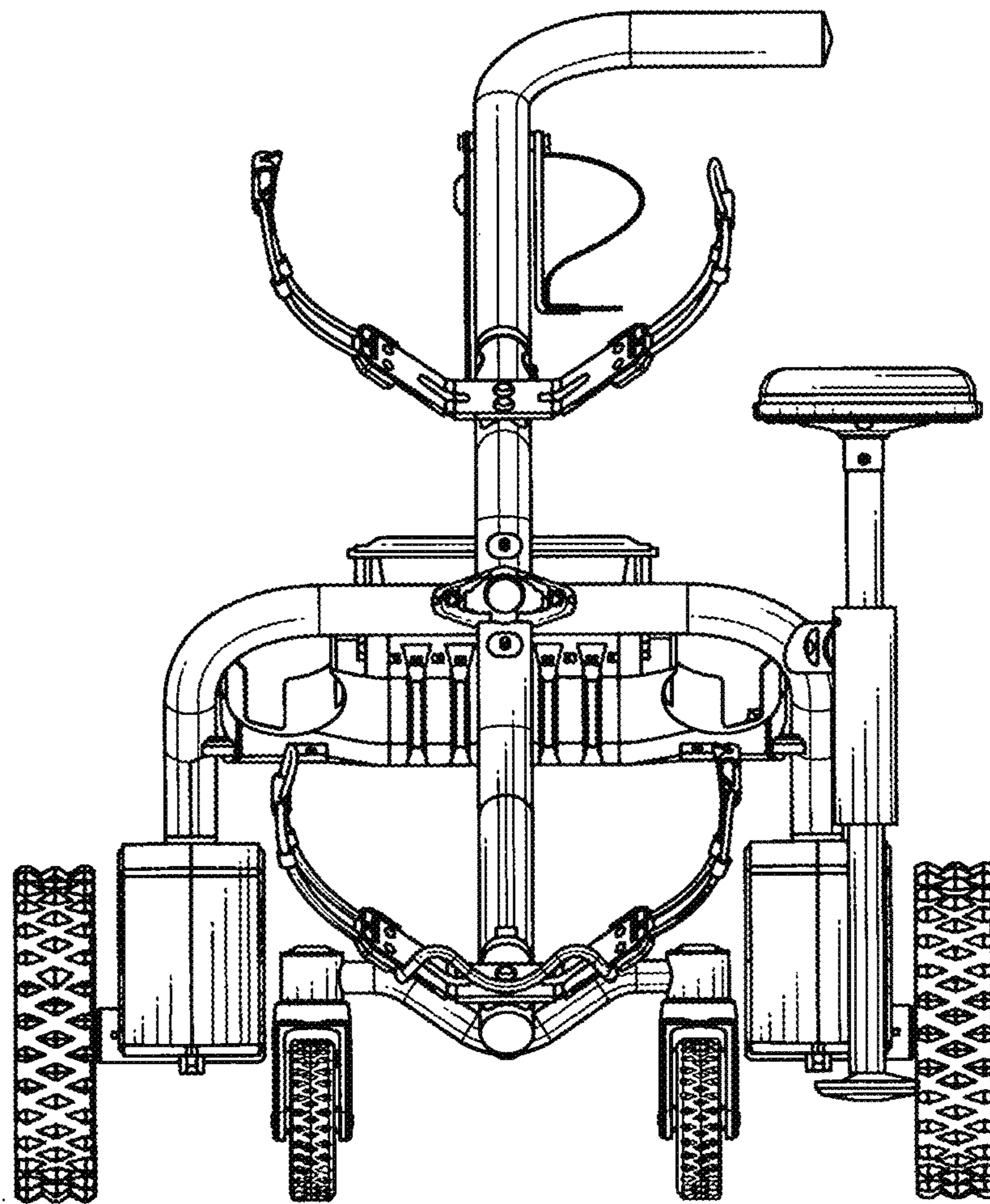


FIG. 5

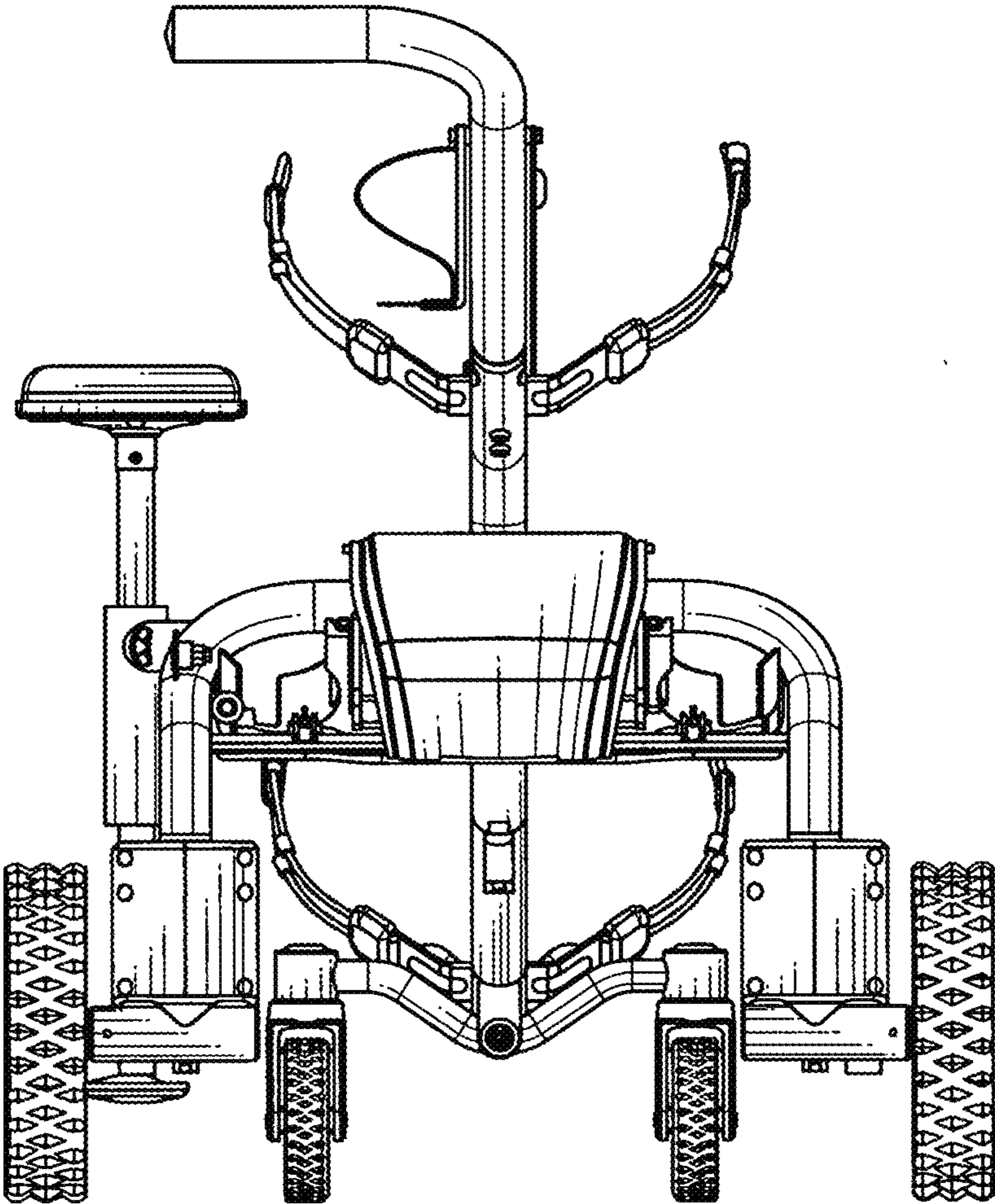


FIG. 6

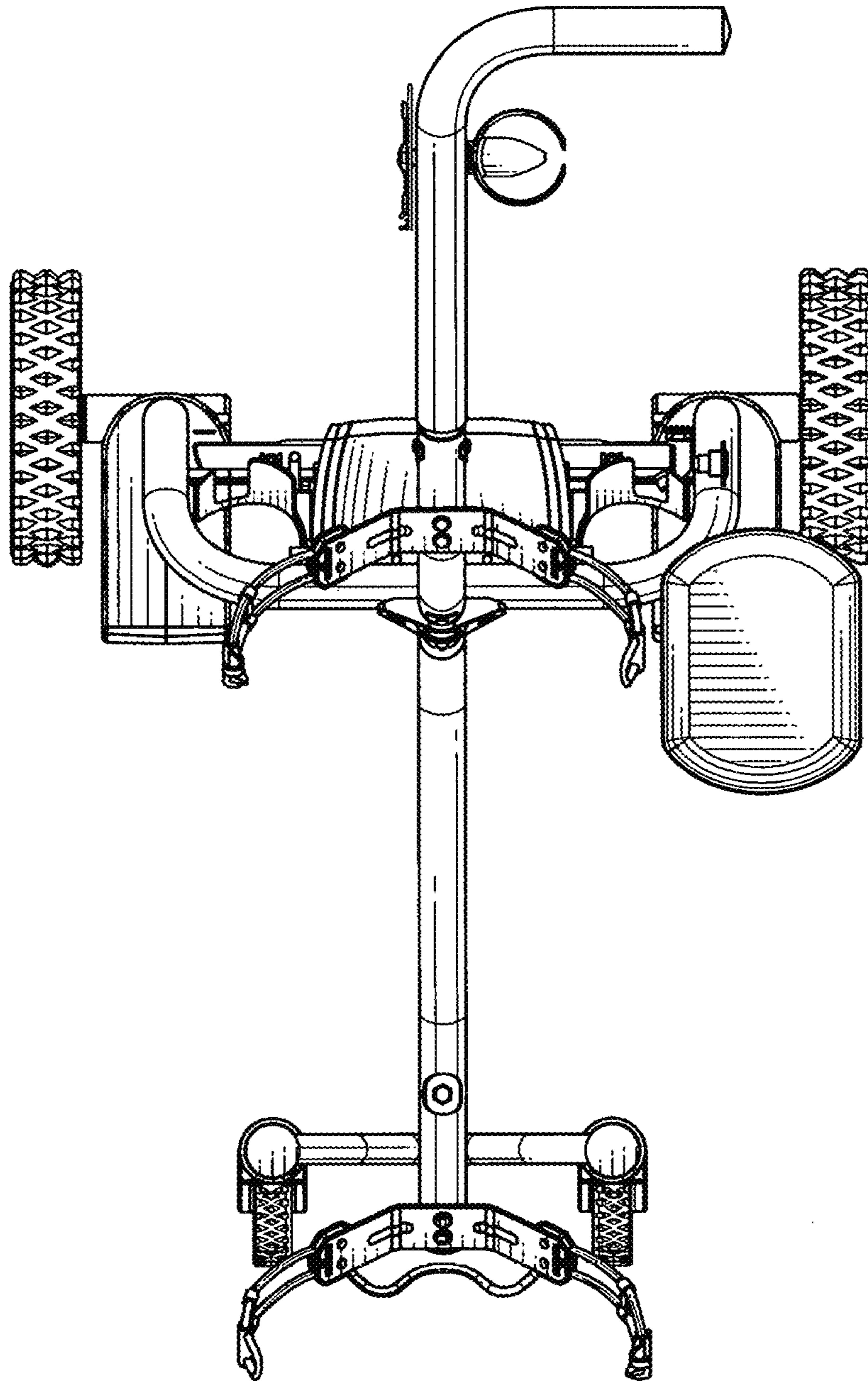


FIG. 7