



US00D820544S

(12) **United States Design Patent**
Joseph

(10) **Patent No.:** **US D820,544 S**
(45) **Date of Patent:** **** Jun. 12, 2018**

- (54) **TRASH BIN**
- (71) Applicant: **JOSEPH JOSEPH LTD.**, London (GB)
- (72) Inventor: **Antony Joseph**, London (GB)
- (73) Assignee: **JOSEPH JOSEPH LTD.**, London (GB)
- (**) Term: **15 Years**
- (21) Appl. No.: **29/592,874**
- (22) Filed: **Feb. 3, 2017**

8,418,869 B2 * 4/2013 Yang B65F 1/06
220/264
D730,008 S * 5/2015 Yang D34/9
D771,344 S * 11/2016 Yang D34/9
D773,145 S * 11/2016 Yang D34/9
D793,642 S * 8/2017 Yang D34/7
D804,133 S * 11/2017 Yang D34/9

* cited by examiner

Primary Examiner — Cynthia Ramirez

(74) *Attorney, Agent, or Firm* — Millen, White, Zelano, Branigan, P.C.

(57) **CLAIM**

The ornamental design for a trash bin, as shown and described.

DESCRIPTION

- (30) **Foreign Application Priority Data**
- Aug. 3, 2016 (EM) 003329788
- (51) **LOC (11) Cl.** **09-09**
- (52) **U.S. Cl.**
USPC **D34/9**
- (58) **Field of Classification Search**
USPC D34/1-11; 220/908, 262-265
CPC B65F 1/163; B65F 1/062; B65F 1/1623;
B65F 1/1646; B65B 43/38
See application file for complete search history.

FIG. 1 is a top perspective view of the trash bin showing my new design.
FIG. 2 is a bottom perspective view thereof.
FIG. 3 is front view thereof.
FIG. 4 is back view thereof.
FIG. 5 is a side view thereof.
FIG. 6 is another side view thereof.
FIG. 7 is a top view thereof.
FIG. 8 is a bottom view thereof.
FIG. 9 is a top perspective view thereof in an open configuration; and,
FIG. 10 is a top perspective exploded view thereof.
The broken lines in the drawings illustrate portions of the trash bin which form no part of the claimed design.

- (56) **References Cited**
- U.S. PATENT DOCUMENTS
- D580,615 S * 11/2008 Yang D34/9
- D675,803 S * 2/2013 Yang D34/7

1 Claim, 10 Drawing Sheets

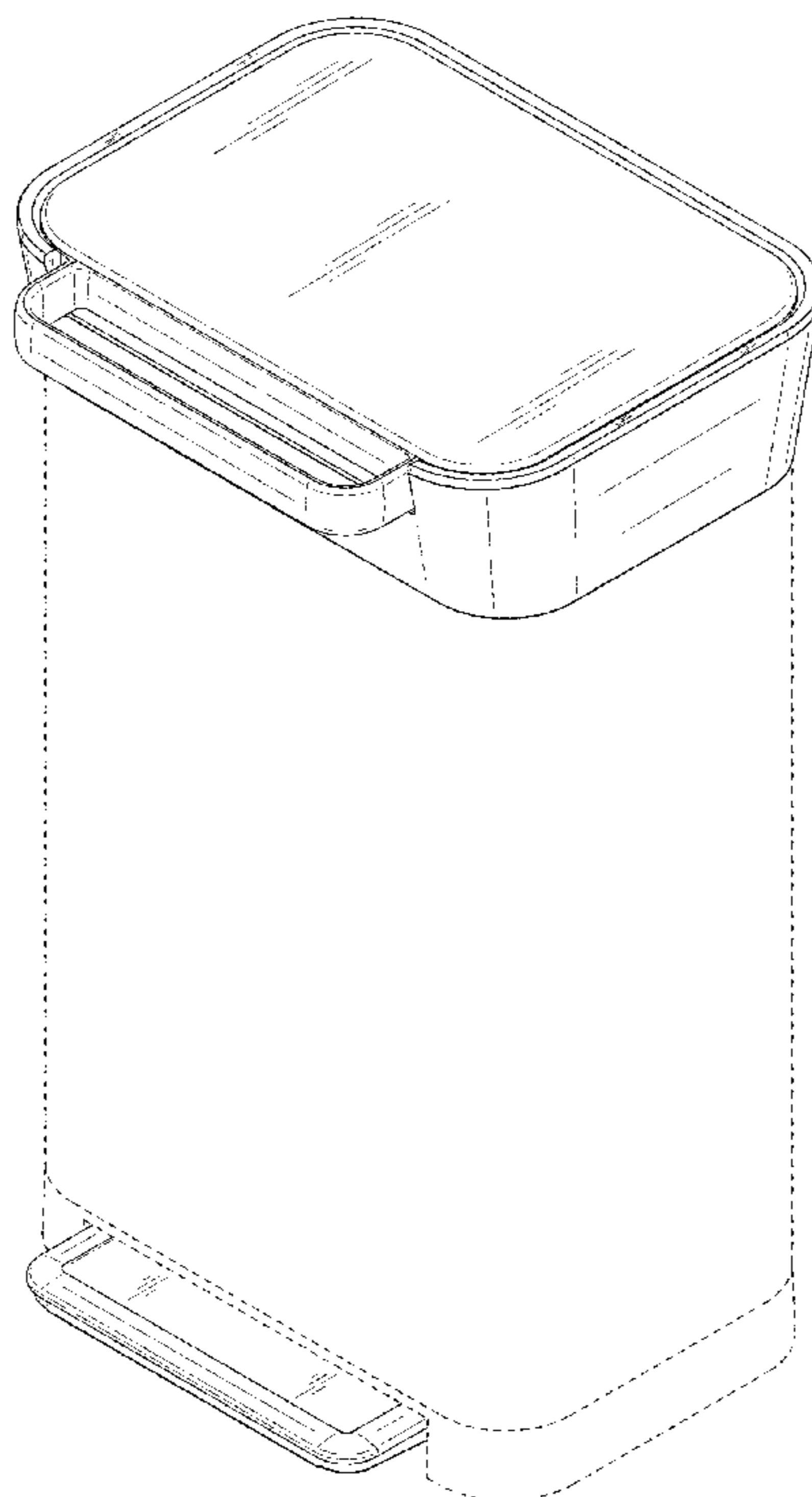


FIG. 1

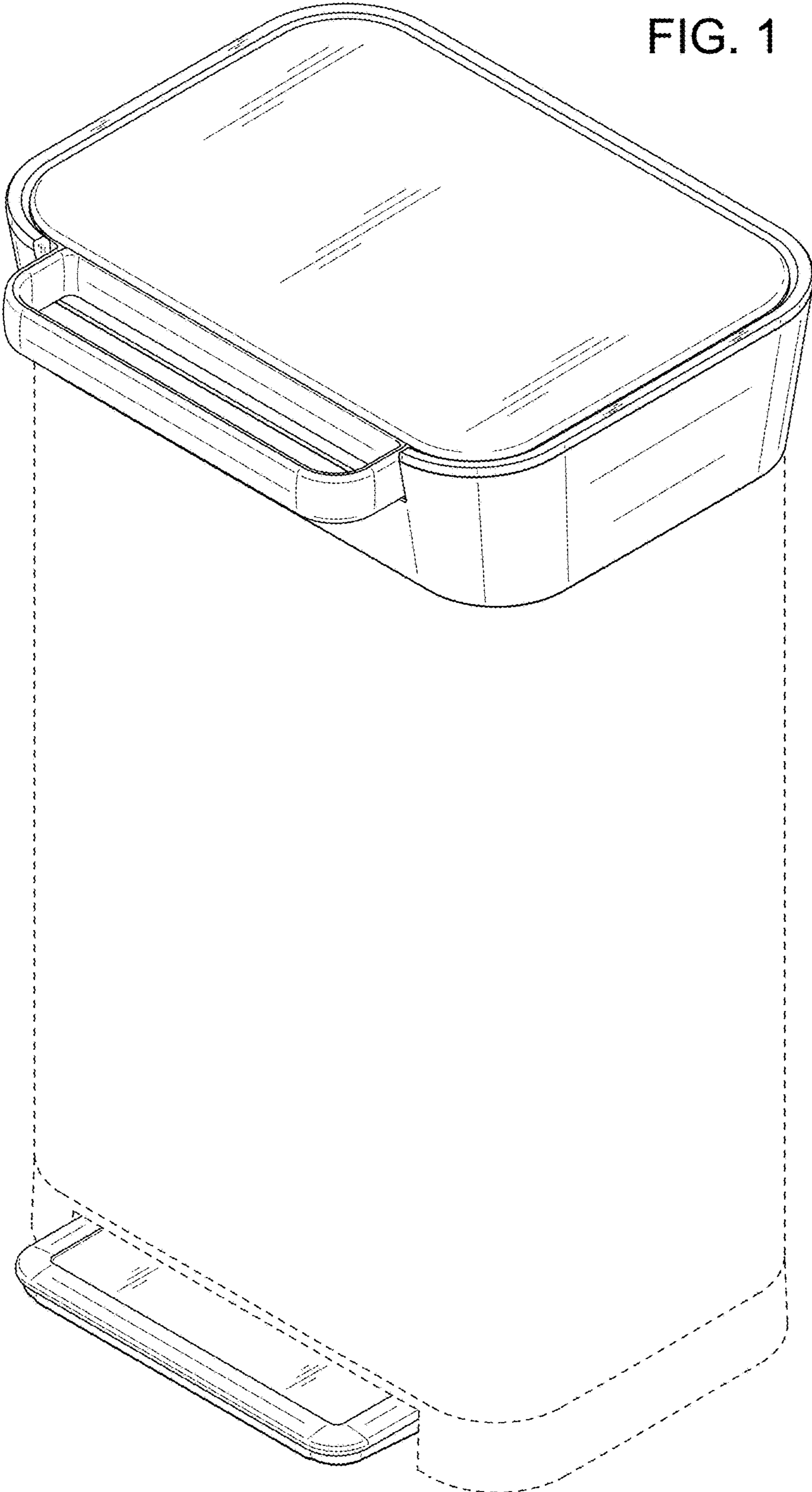


FIG. 2

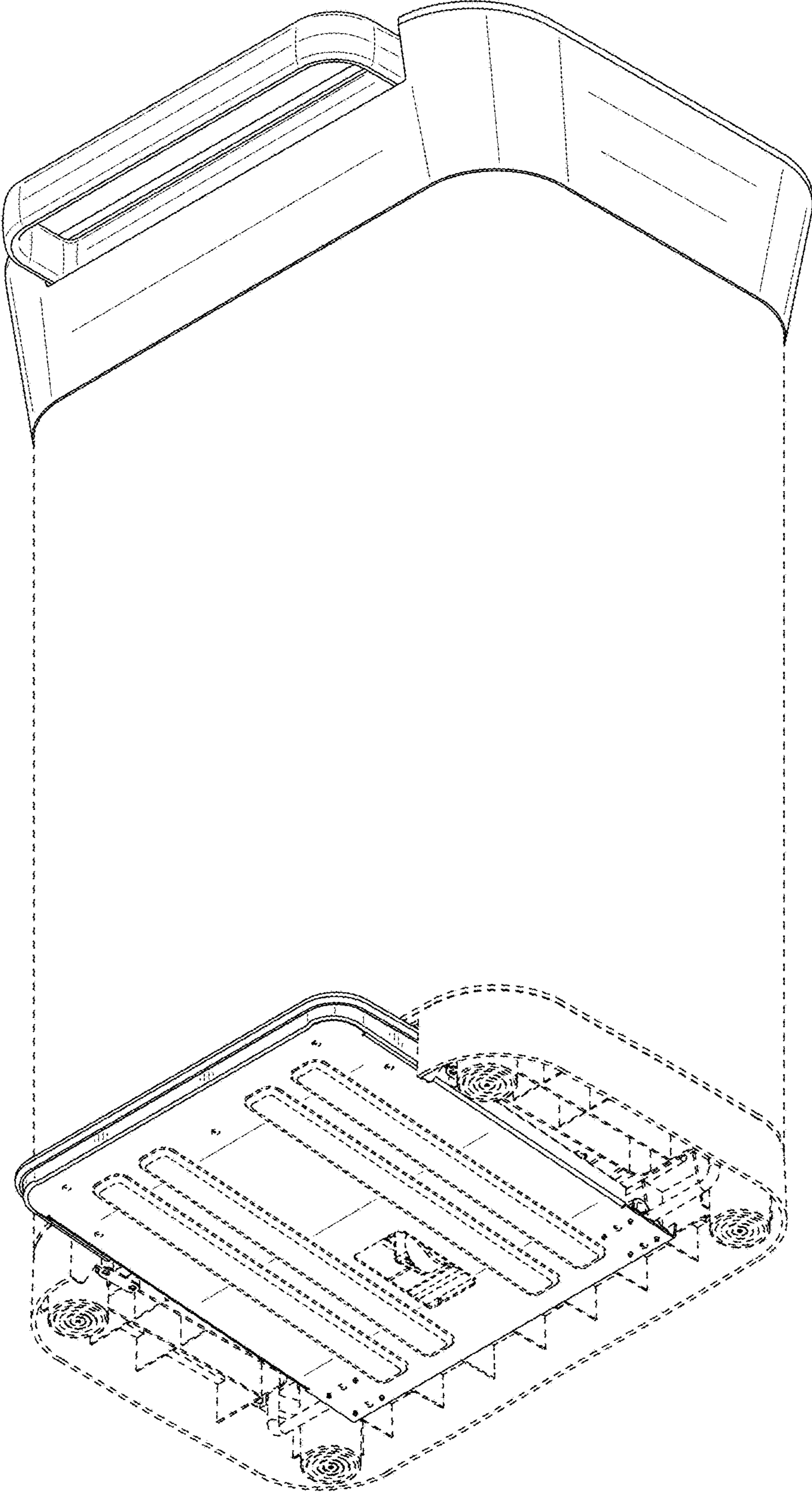


FIG. 3



FIG. 4



FIG. 5



FIG. 6



FIG. 7

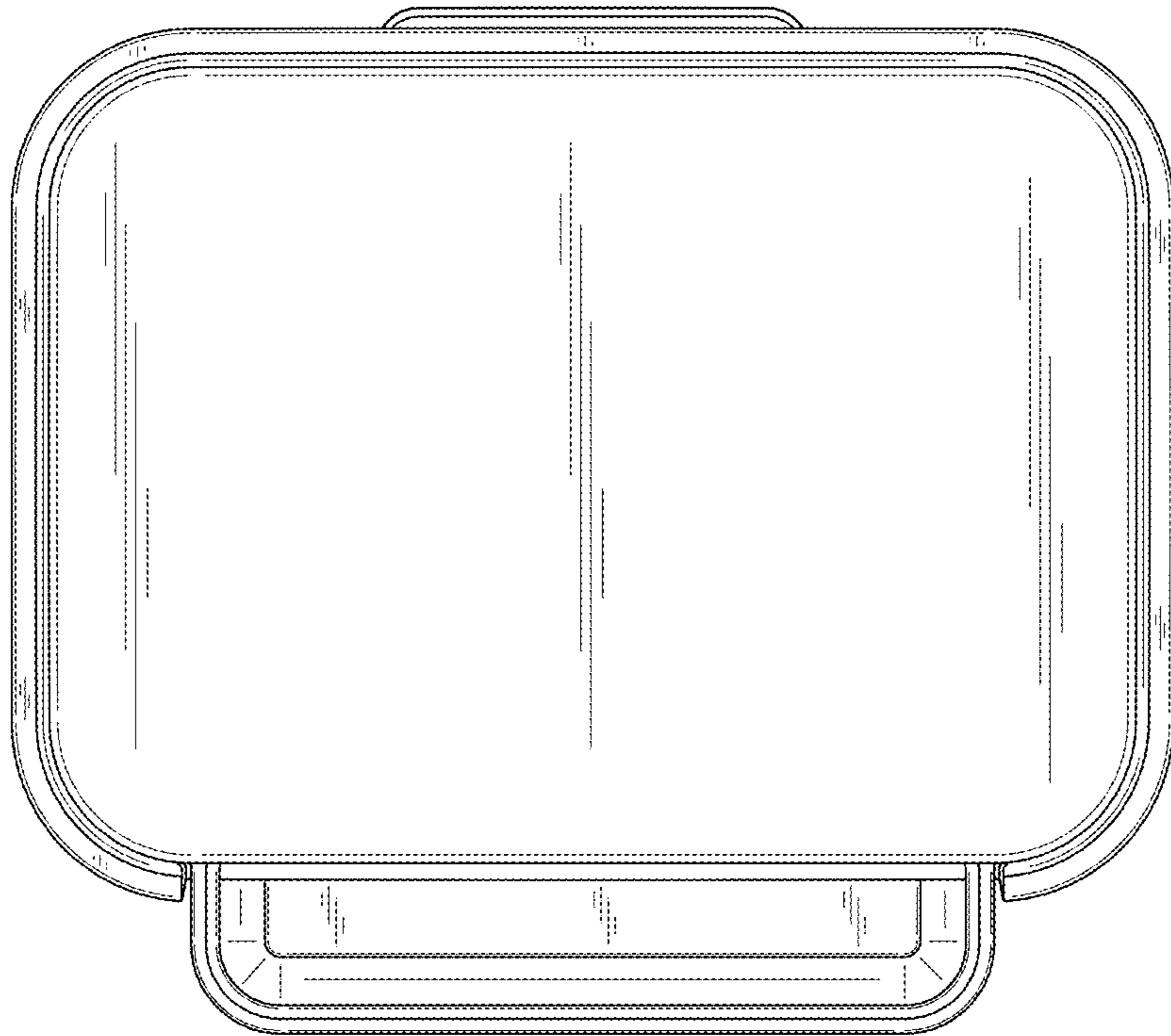


FIG. 8

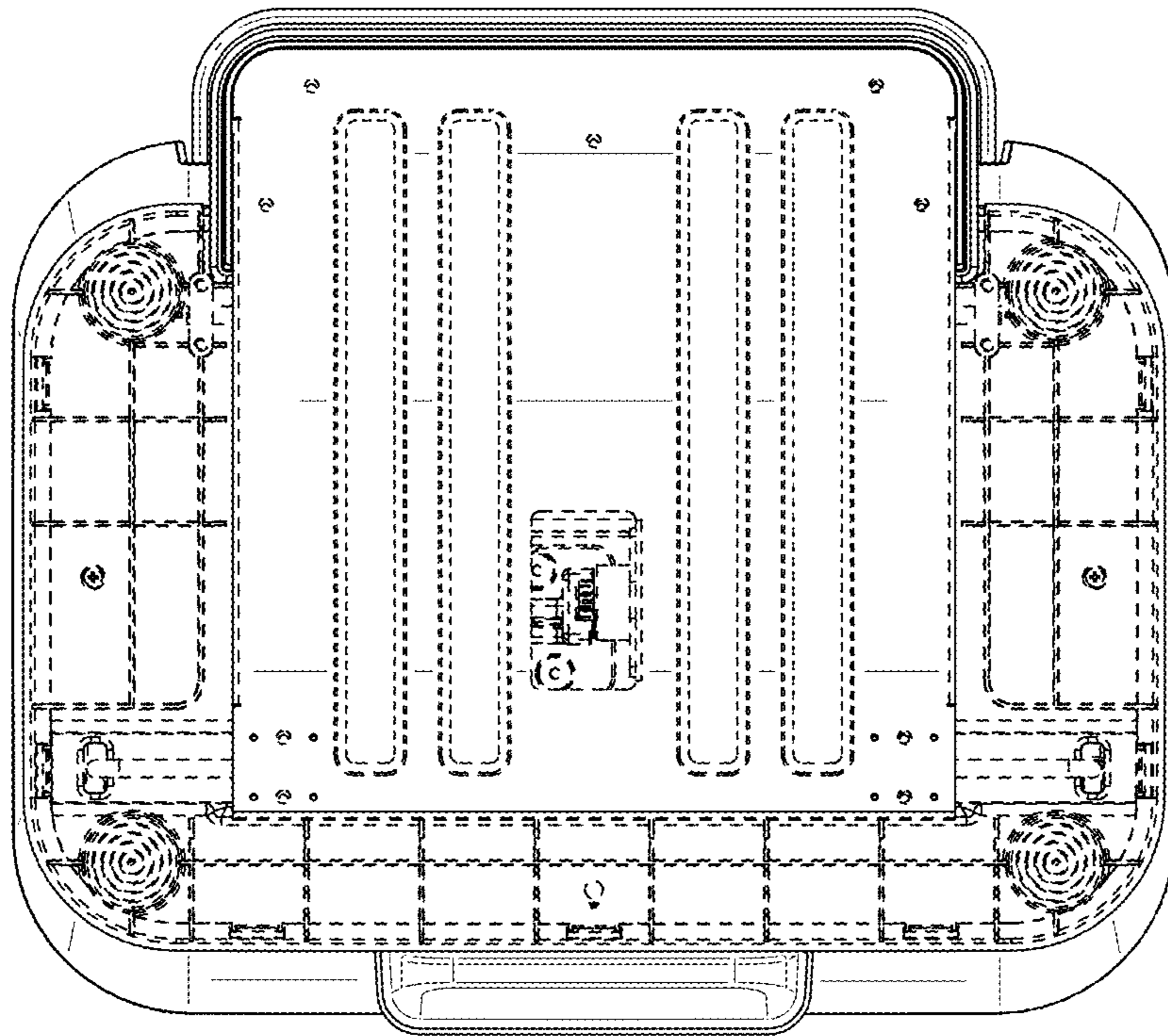
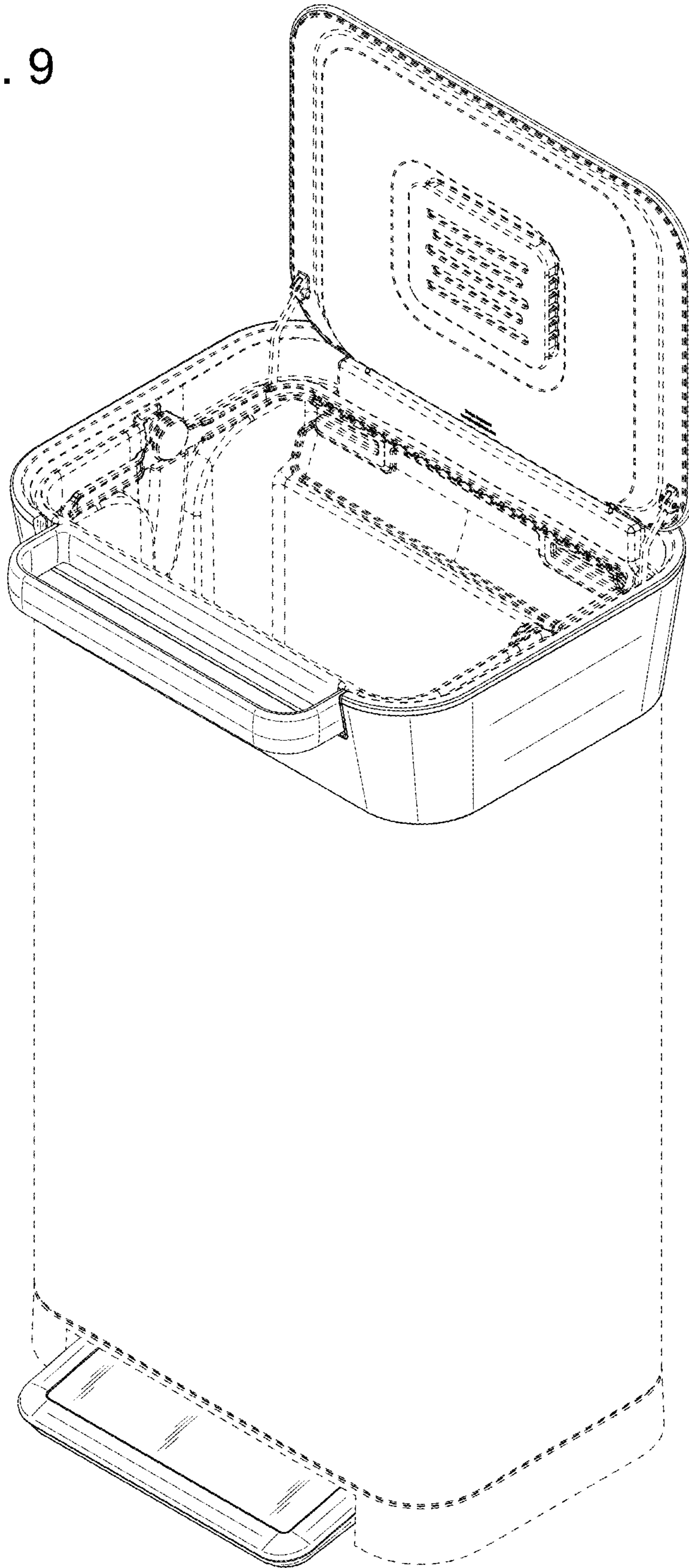


FIG. 9



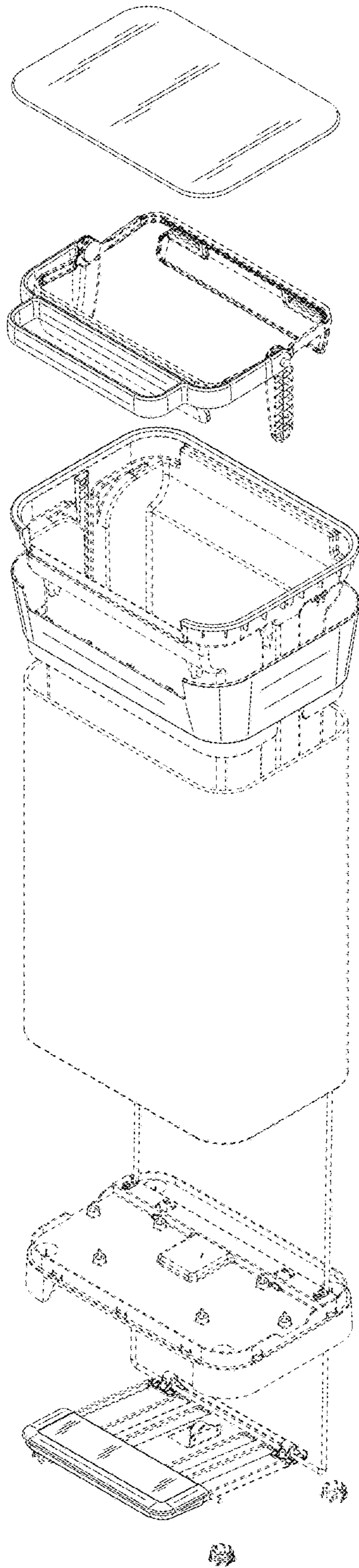


FIG. 10