



US00D820543S

(12) **United States Design Patent**  
**Huang**

(10) **Patent No.:** **US D820,543 S**  
(45) **Date of Patent:** **\*\* Jun. 12, 2018**

(54) **DISH RACK**

(71) Applicant: **Jianping Huang**, Jiangmen (CN)

(72) Inventor: **Jianping Huang**, Jiangmen (CN)

(73) Assignee: **Jianping Huang**, Jiangmen (CN)

(\*\*) Term: **15 Years**

(21) Appl. No.: **29/580,496**

(22) Filed: **Oct. 10, 2016**

(51) **LOC (11) Cl.** ..... **07-05**

(52) **U.S. Cl.**  
USPC ..... **D32/55**

(58) **Field of Classification Search**  
USPC ..... D32/55, 276, 3; D6/510, 525; D30/133;  
211/41.5, 41.4, 41.3, 41.8; 361/679.4;  
312/311, 333, 334.4; D7/354, 629  
CPC .. A47L 15/505; A47L 15/503; A47L 15/0013;  
A47L 19/02; A47L 19/04; A47J 47/20  
See application file for complete search history.

(56) **References Cited**

**U.S. PATENT DOCUMENTS**

D265,262 S *	6/1982	Taylor	.....	D32/55
D374,526 S *	10/1996	Breen	.....	D32/55
D555,311 S *	11/2007	Yang	.....	D32/55
D581,619 S *	11/2008	Yang	.....	D32/55
D599,067 S *	8/2009	Yang	.....	D32/55
D599,068 S *	8/2009	Yang	.....	D32/55
D647,678 S *	10/2011	Yang	.....	D32/55
D693,081 S *	11/2013	Yang	.....	D32/55
D699,413 S *	2/2014	Huang	.....	D32/55
D706,510 S *	6/2014	Lerner	.....	D32/55
D714,508 S *	9/2014	Joy	.....	D32/55
D723,236 S *	2/2015	Khaitan	.....	D32/55
D732,256 S *	6/2015	Huang	.....	D32/55
D757,384 S *	5/2016	Duvigneau	.....	D32/55
D783,216 S *	4/2017	Huang	.....	D32/55

D787,769 S *	5/2017	Evans	.....	D32/55
D799,133 S *	10/2017	Wong	.....	D32/55
2007/0090063 A1 *	4/2007	Schmidt	.....	A47L 19/04 211/41.3

\* cited by examiner

*Primary Examiner* — Austin Murphy

(74) *Attorney, Agent, or Firm* — M&B IP Analysts, LLC

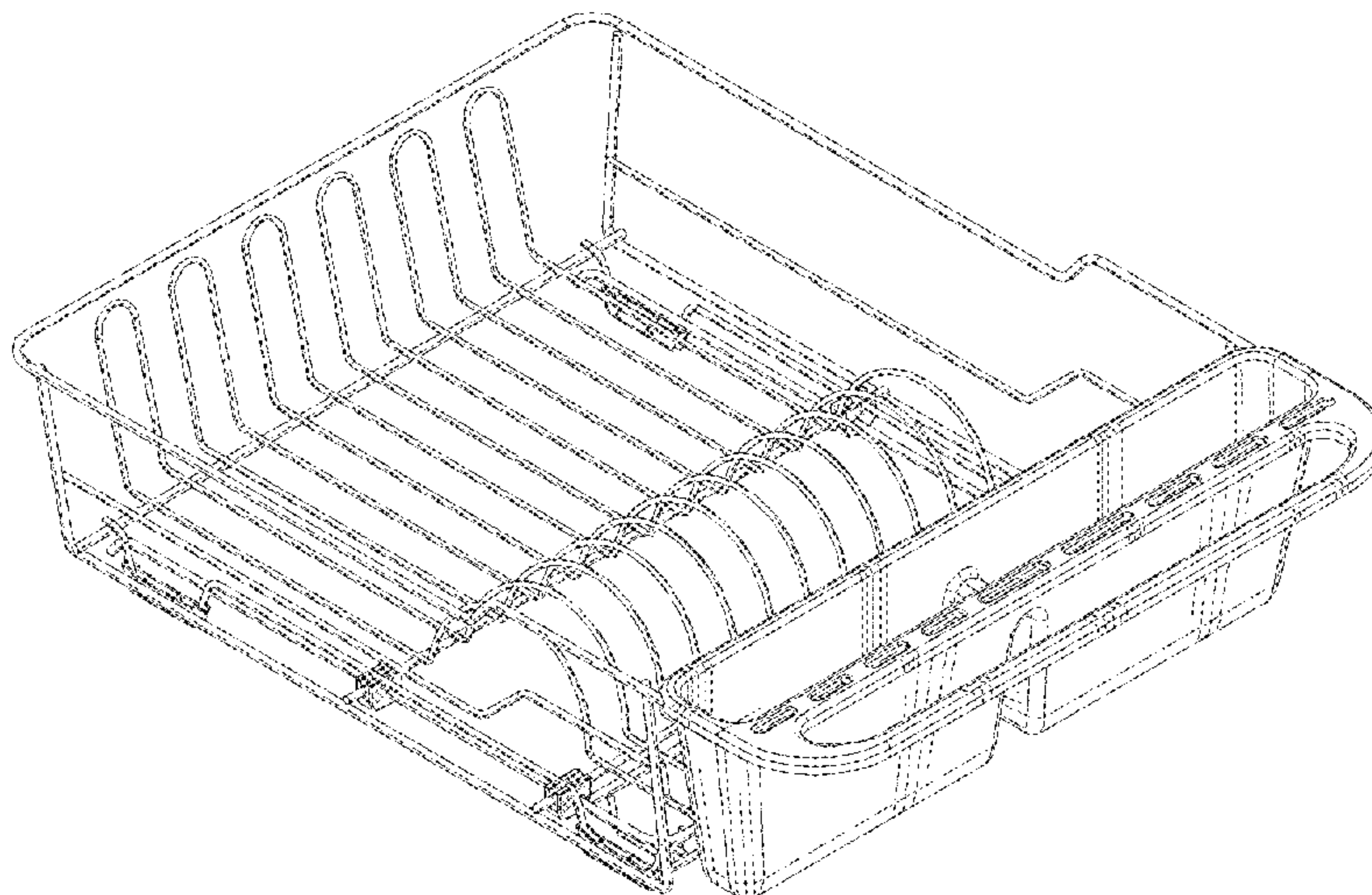
(57) **CLAIM**

I claim the ornamental design for a dish rack, as shown and described.

**DESCRIPTION**

FIG. 1 is a perspective view of one embodiment of a dish rack assembly including a movable chassis showing my new design;  
 FIG. 2 is another perspective view thereof with the chassis in an alternate position;  
 FIG. 3 is a front view of the dish rack of FIG. 1;  
 FIG. 4 is a rear view thereof;  
 FIG. 5 is a left view thereof;  
 FIG. 6 is a right view thereof;  
 FIG. 7 is a top view thereof;  
 FIG. 8 is a bottom view thereof;  
 FIG. 9 is a front view thereof with the chassis in the alternate position;  
 FIG. 10 is a rear view thereof with the chassis in the alternate position;  
 FIG. 11 is a left view thereof with the chassis in the alternate position;  
 FIG. 12 is a right view thereof with the chassis in the alternate position;  
 FIG. 13 is a top view thereof with the chassis in the alternate position; and,  
 FIG. 14 is a bottom view thereof with the chassis in the alternate position.

**1 Claim, 14 Drawing Sheets**



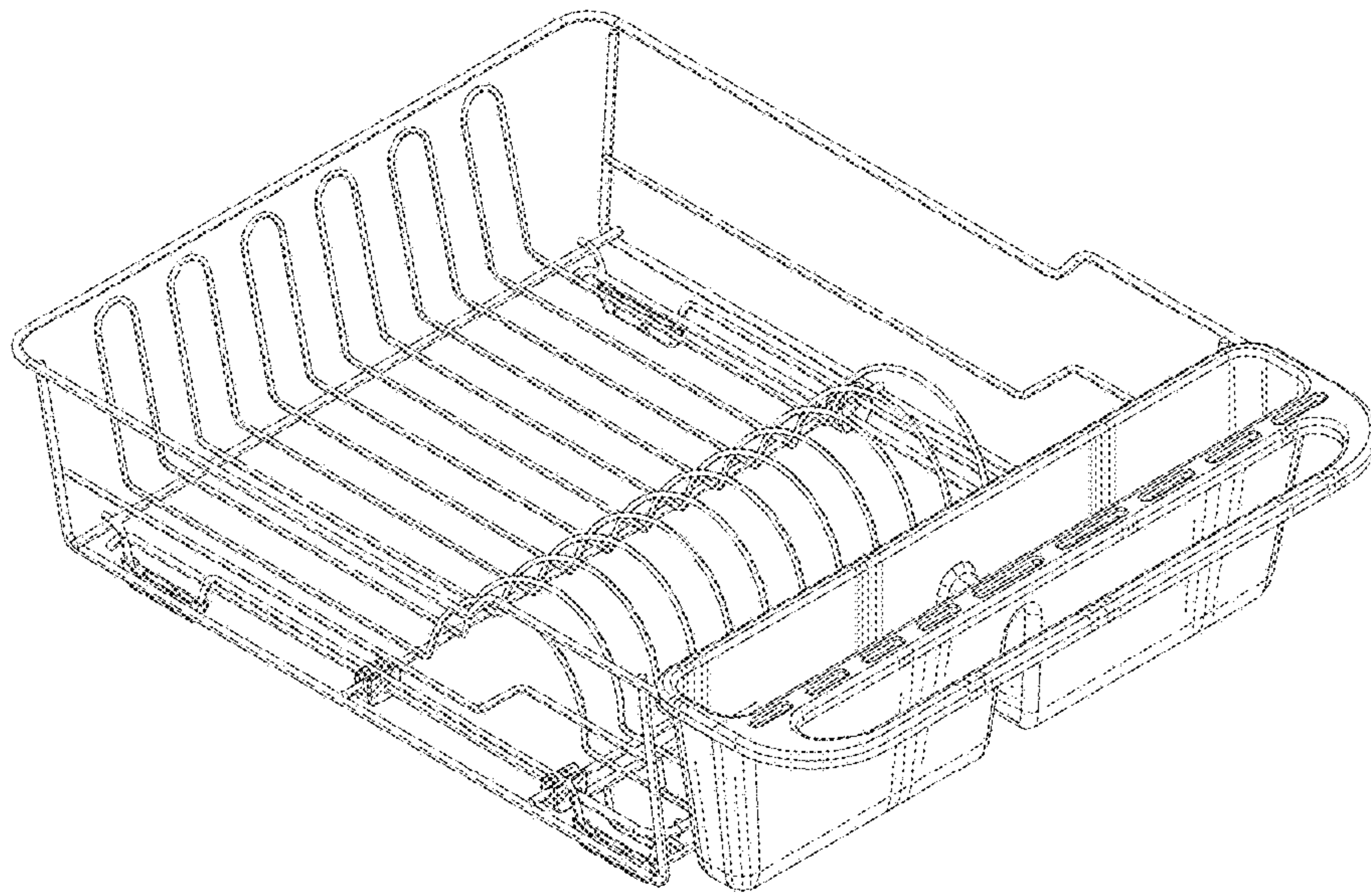


Fig.1



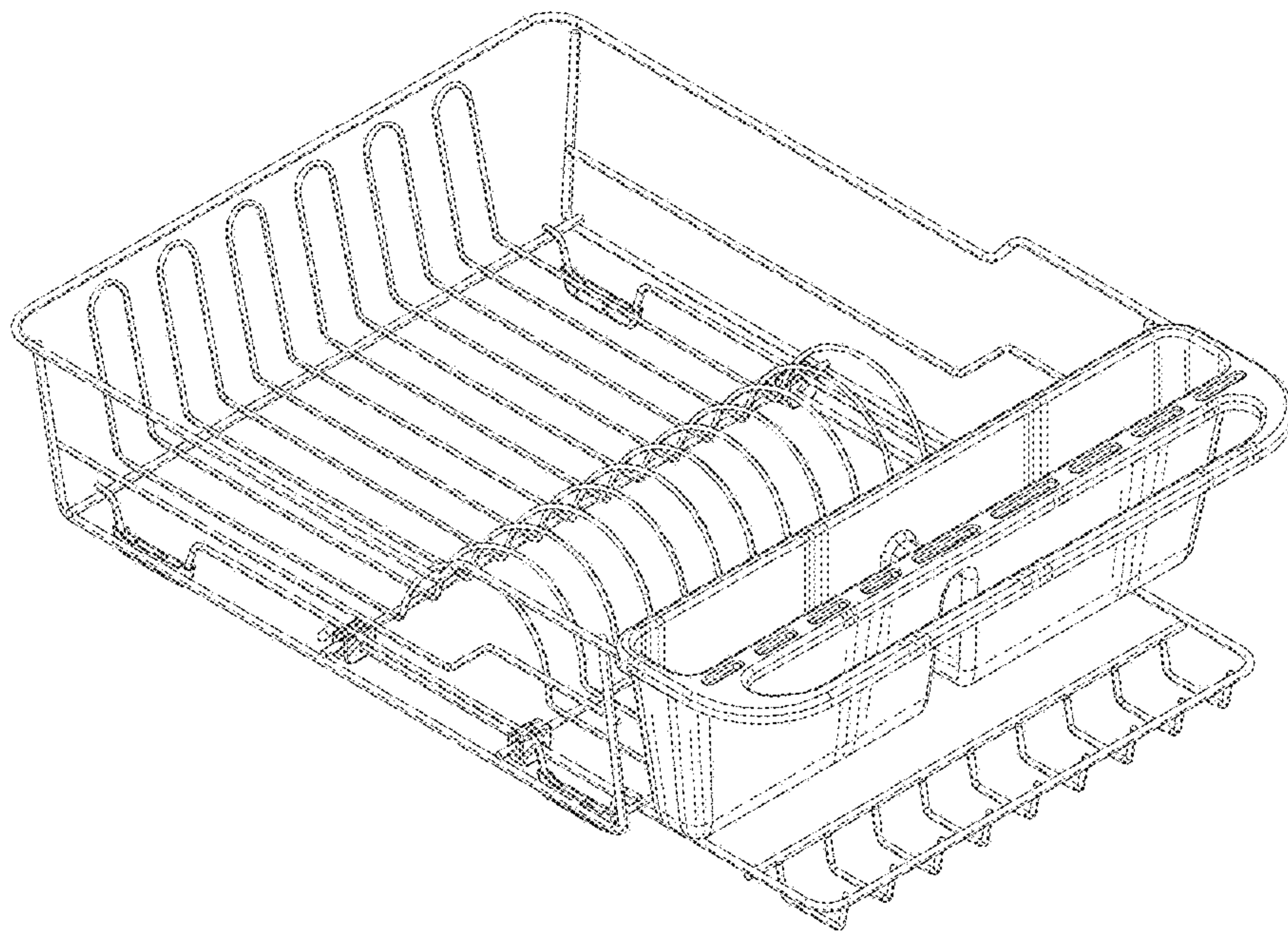


Fig.2

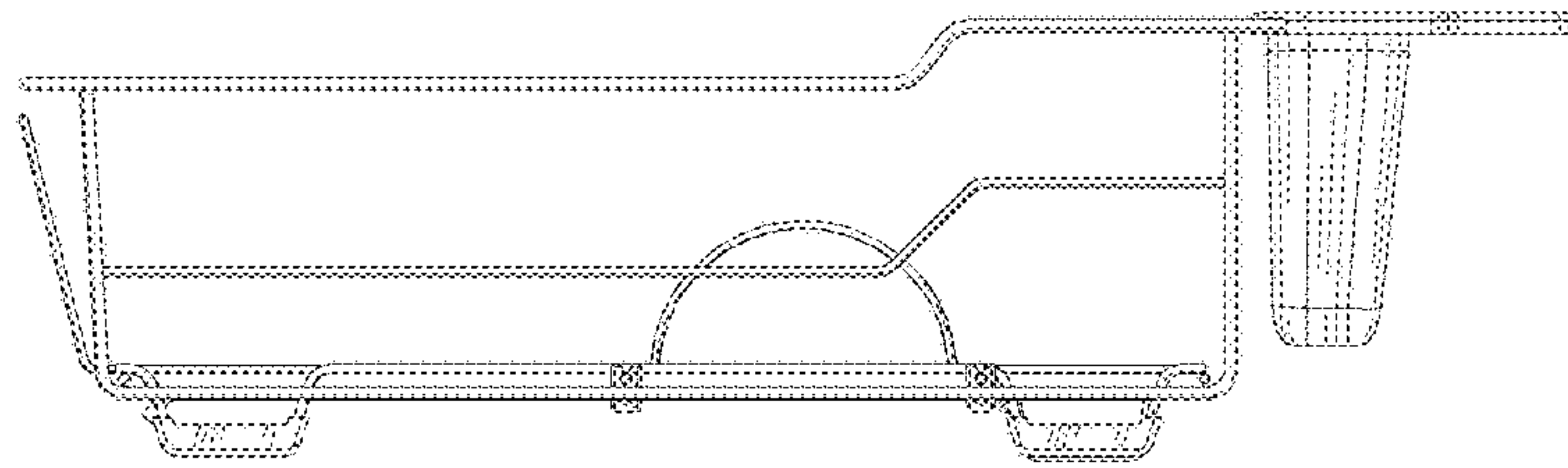


Fig.3

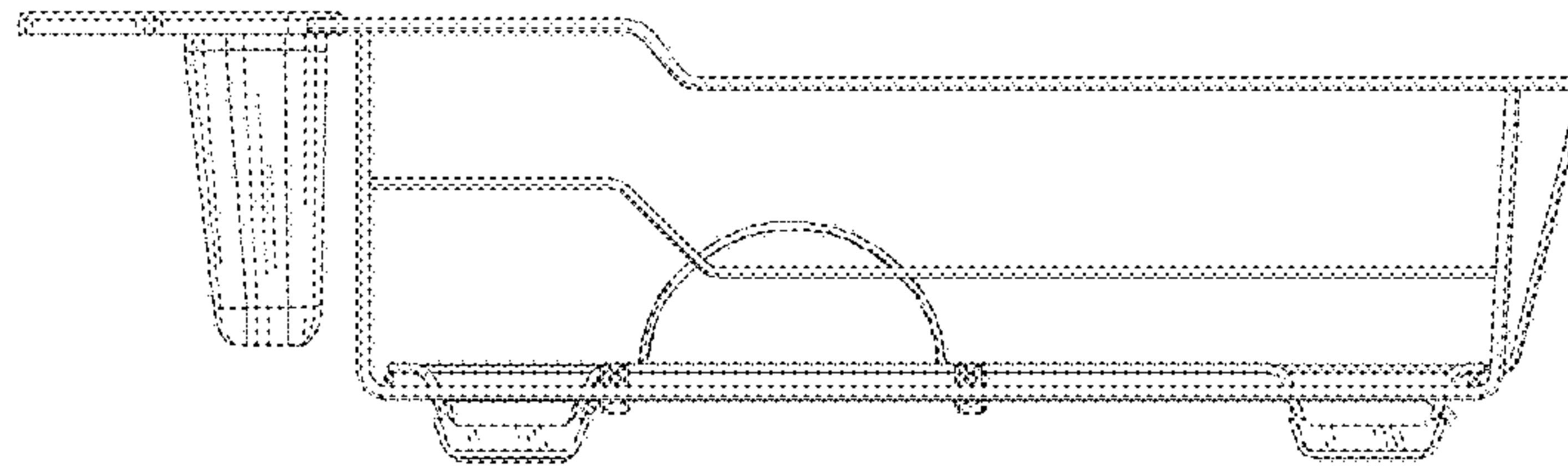


Fig.4

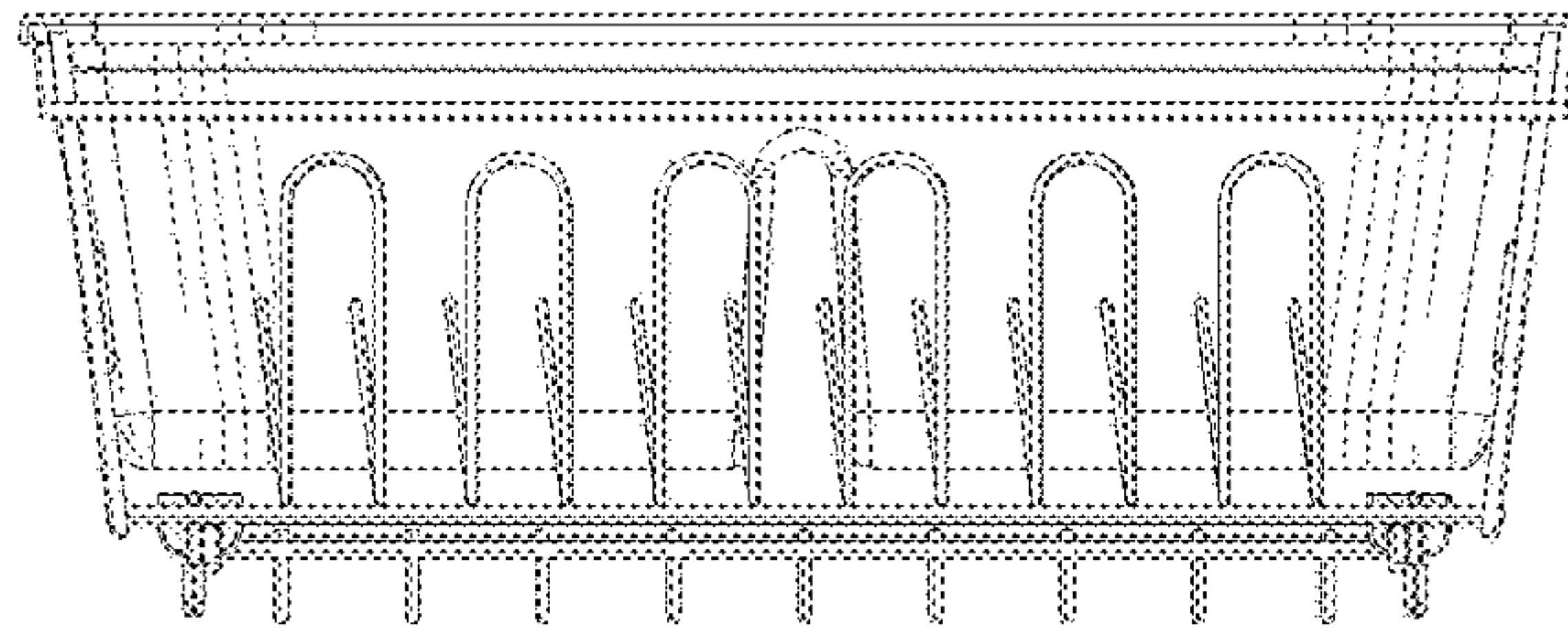


Fig.5

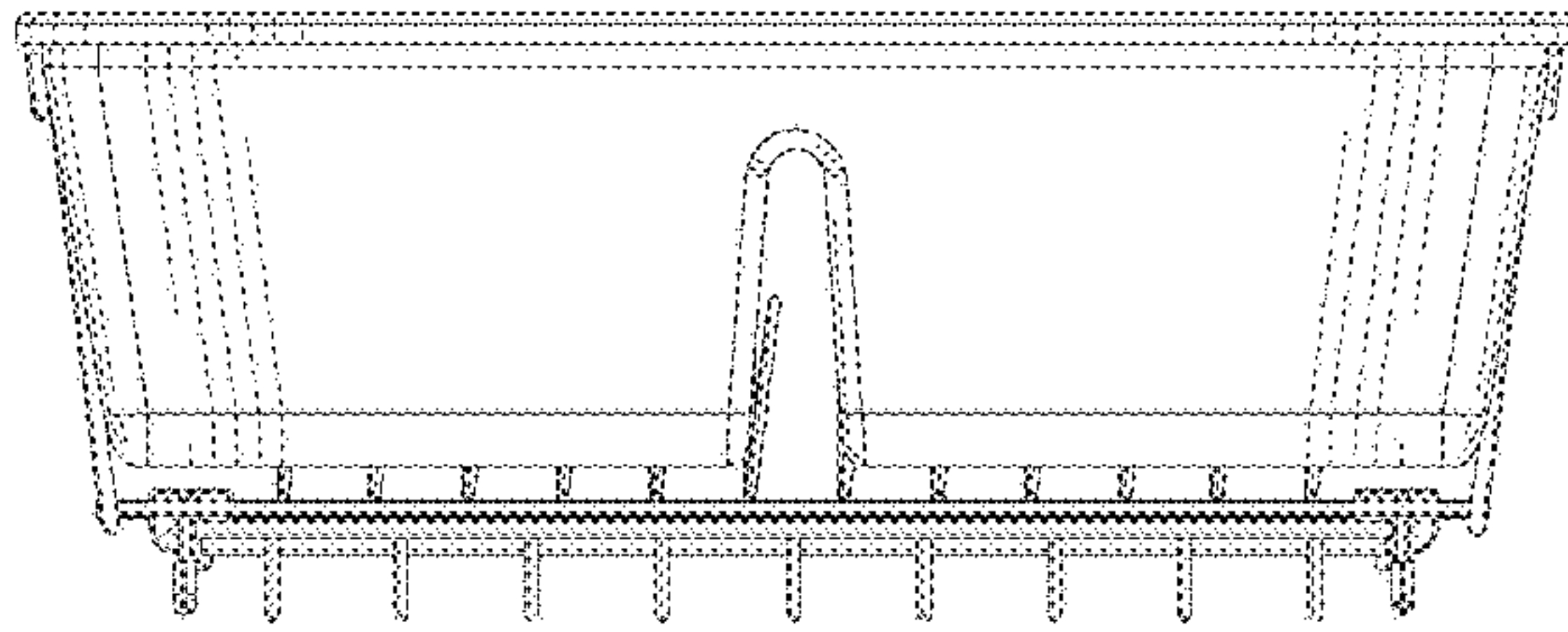


Fig.6

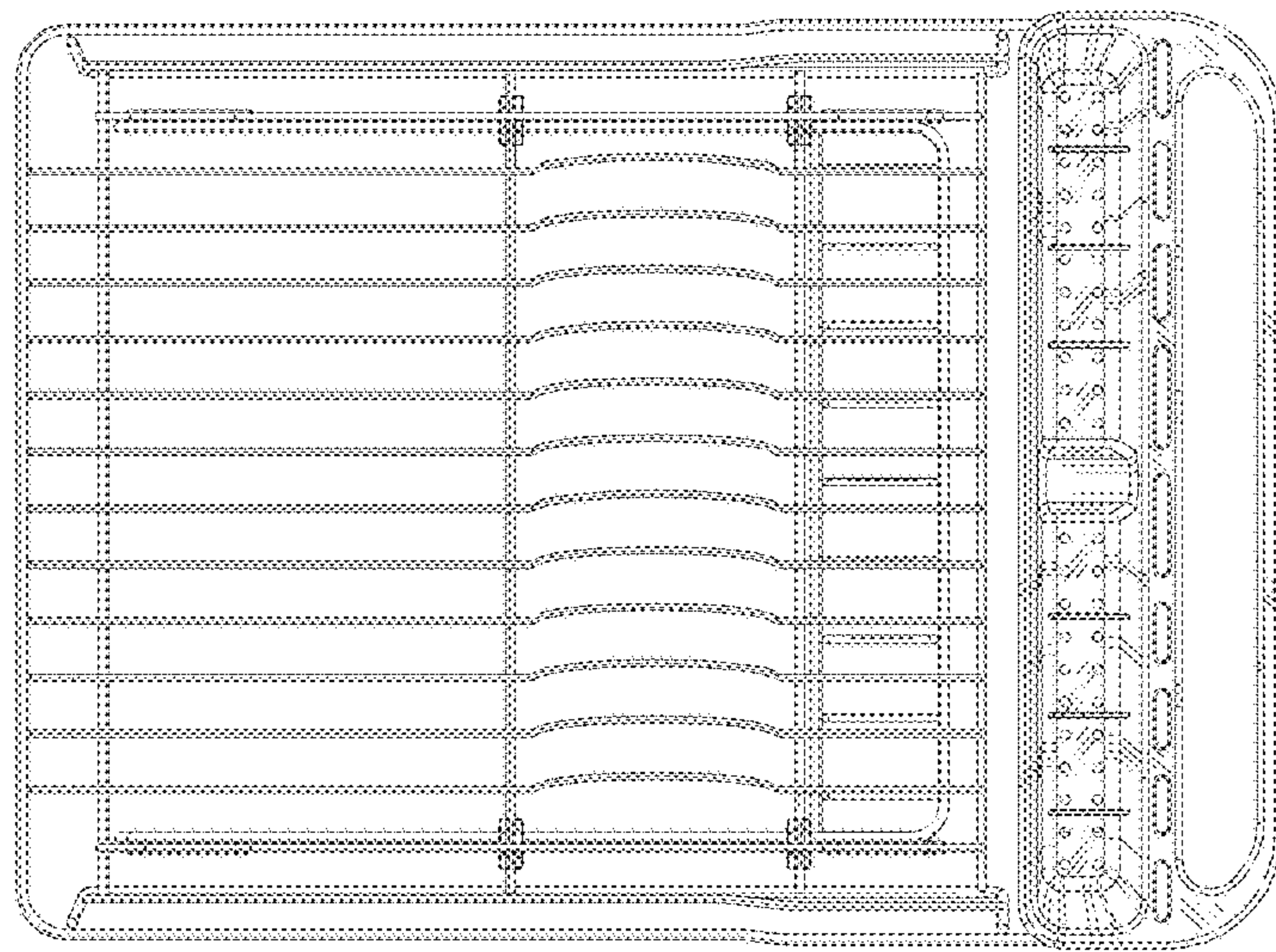


Fig.7



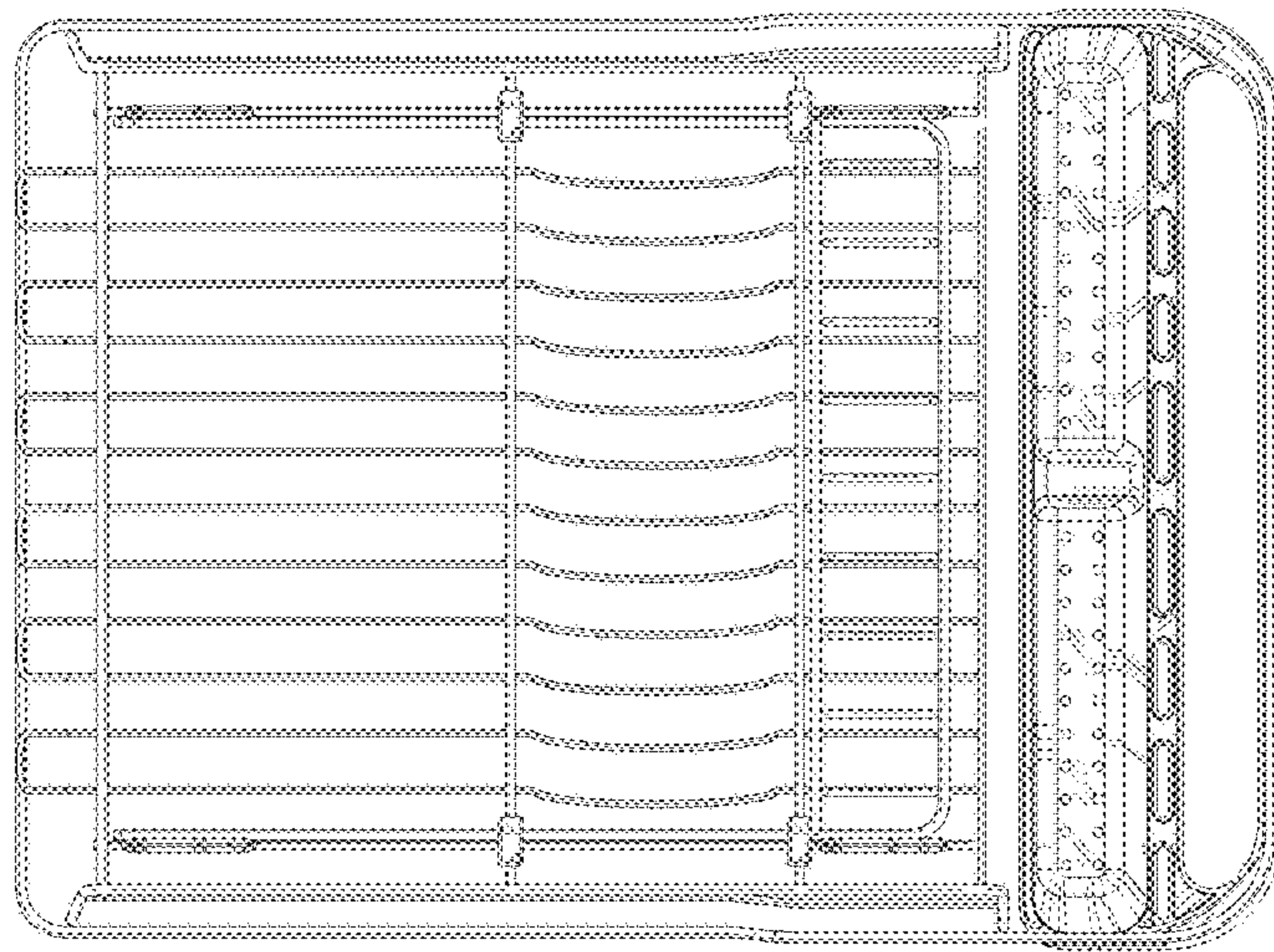


Fig.8

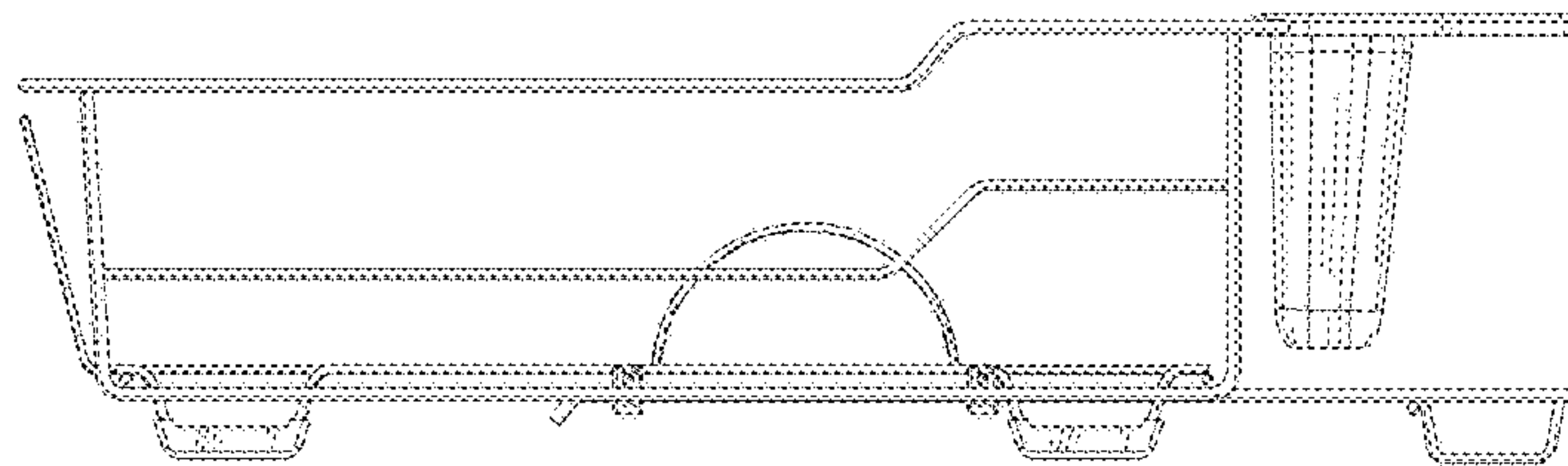


Fig.9

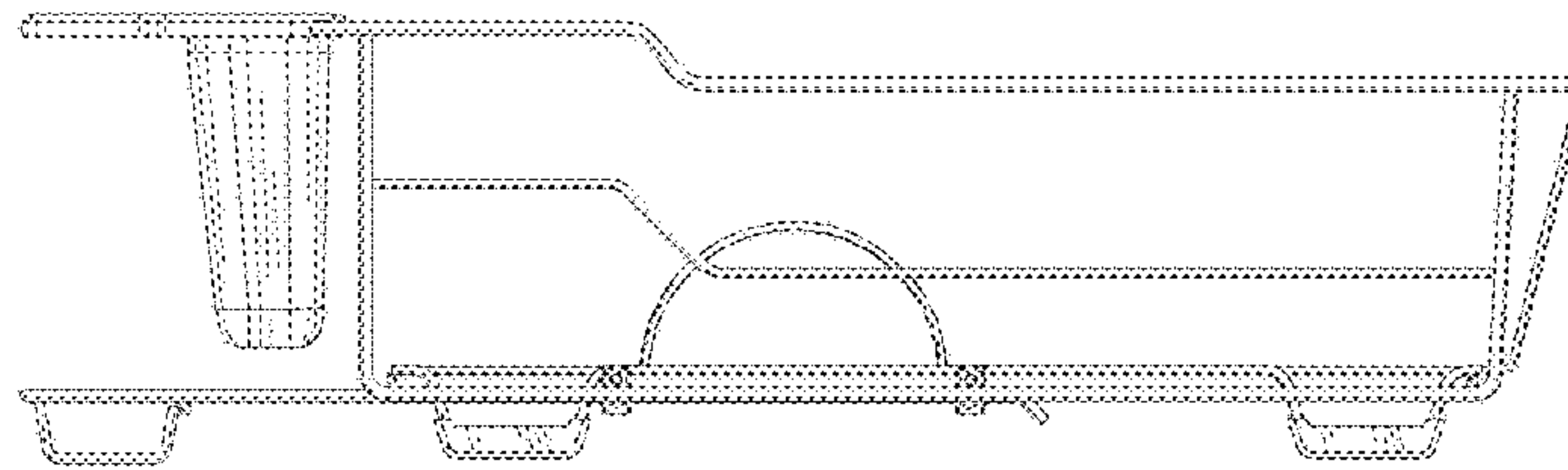


Fig.10

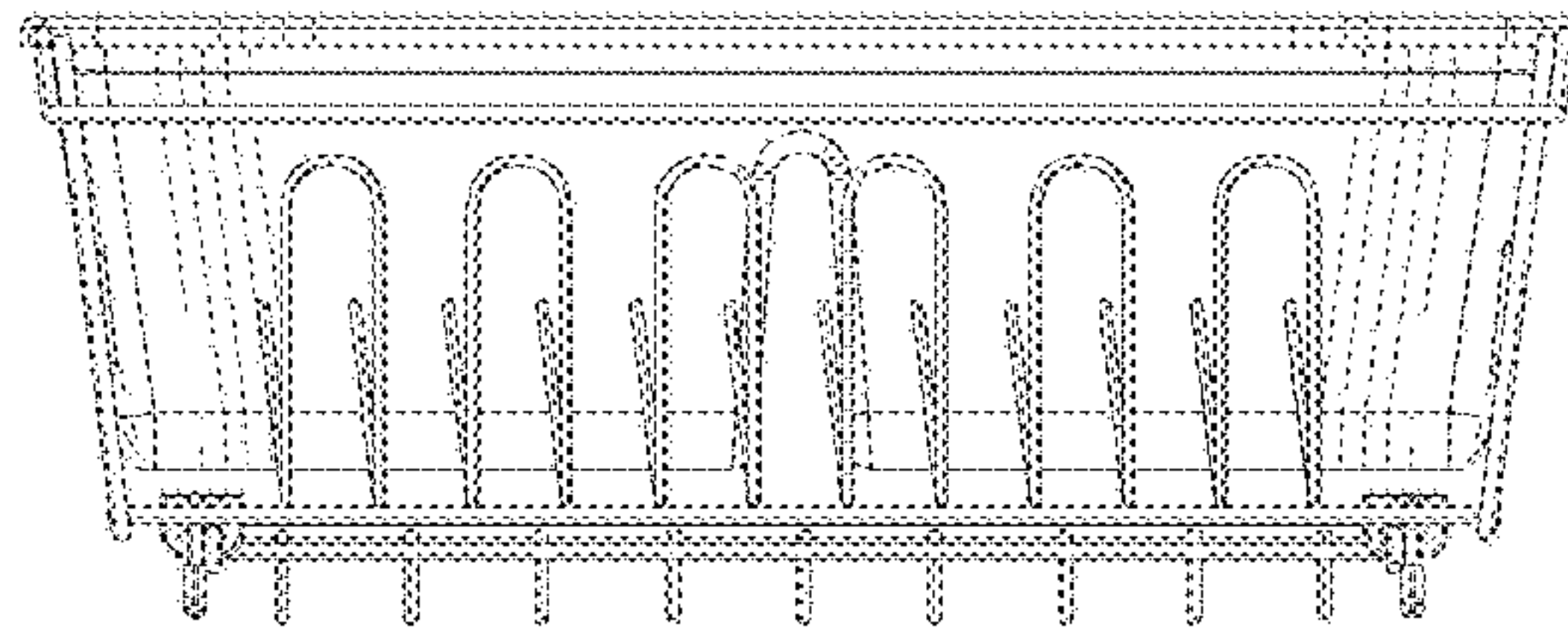


Fig. 11

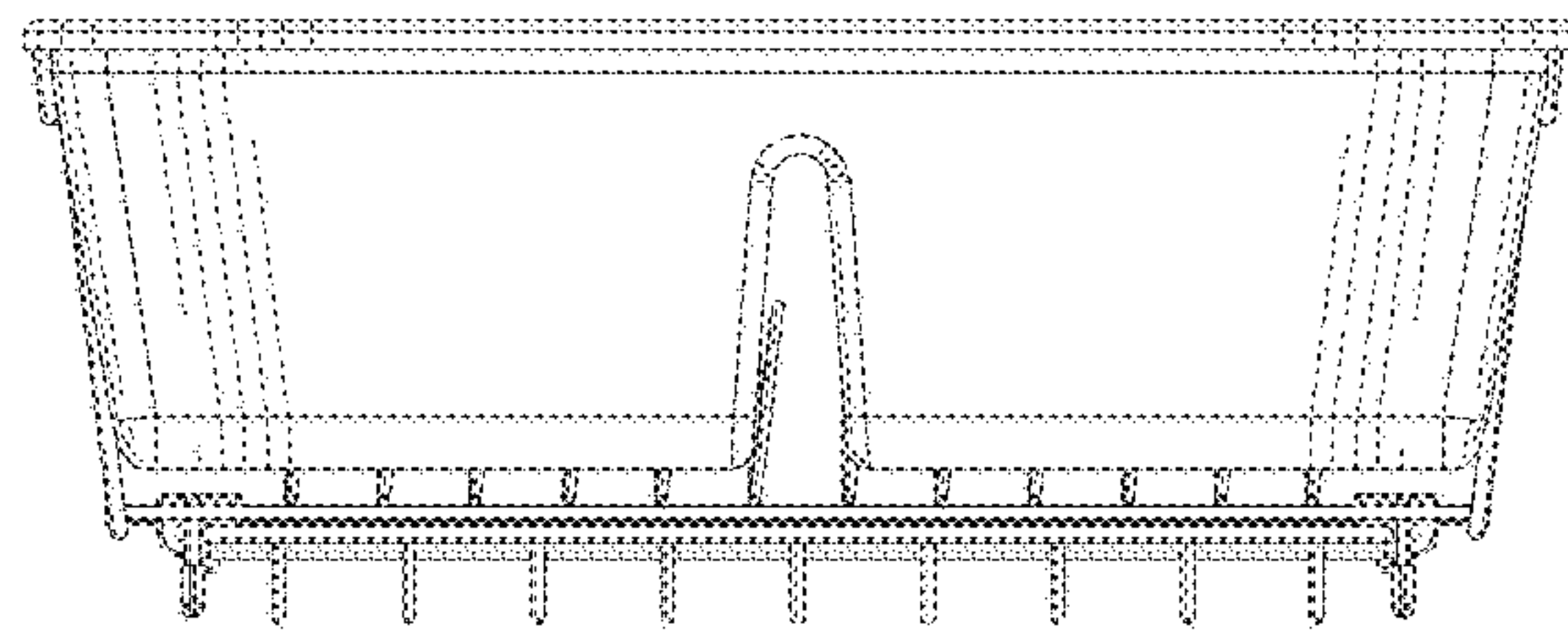


Fig. 12



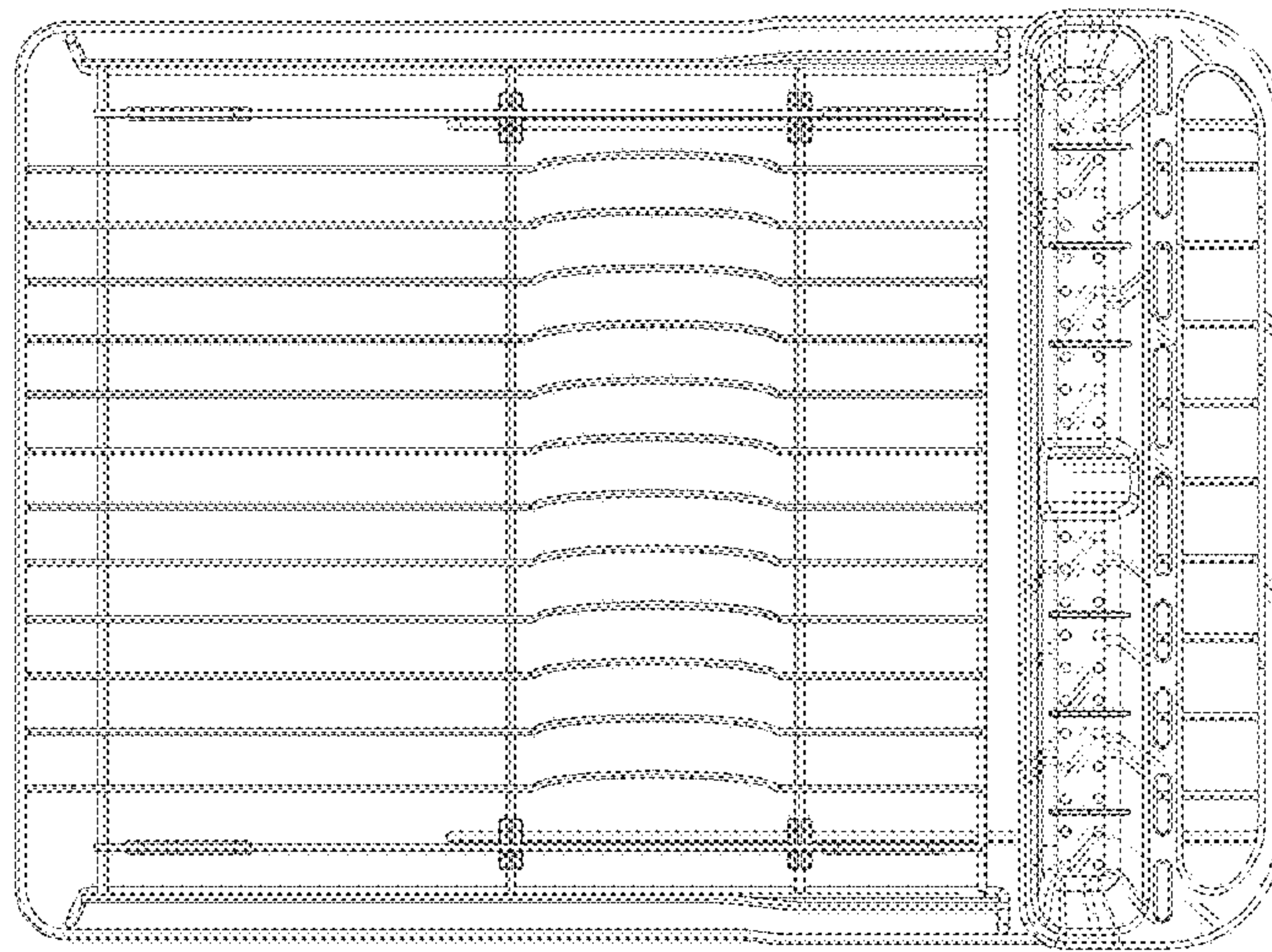


Fig.13

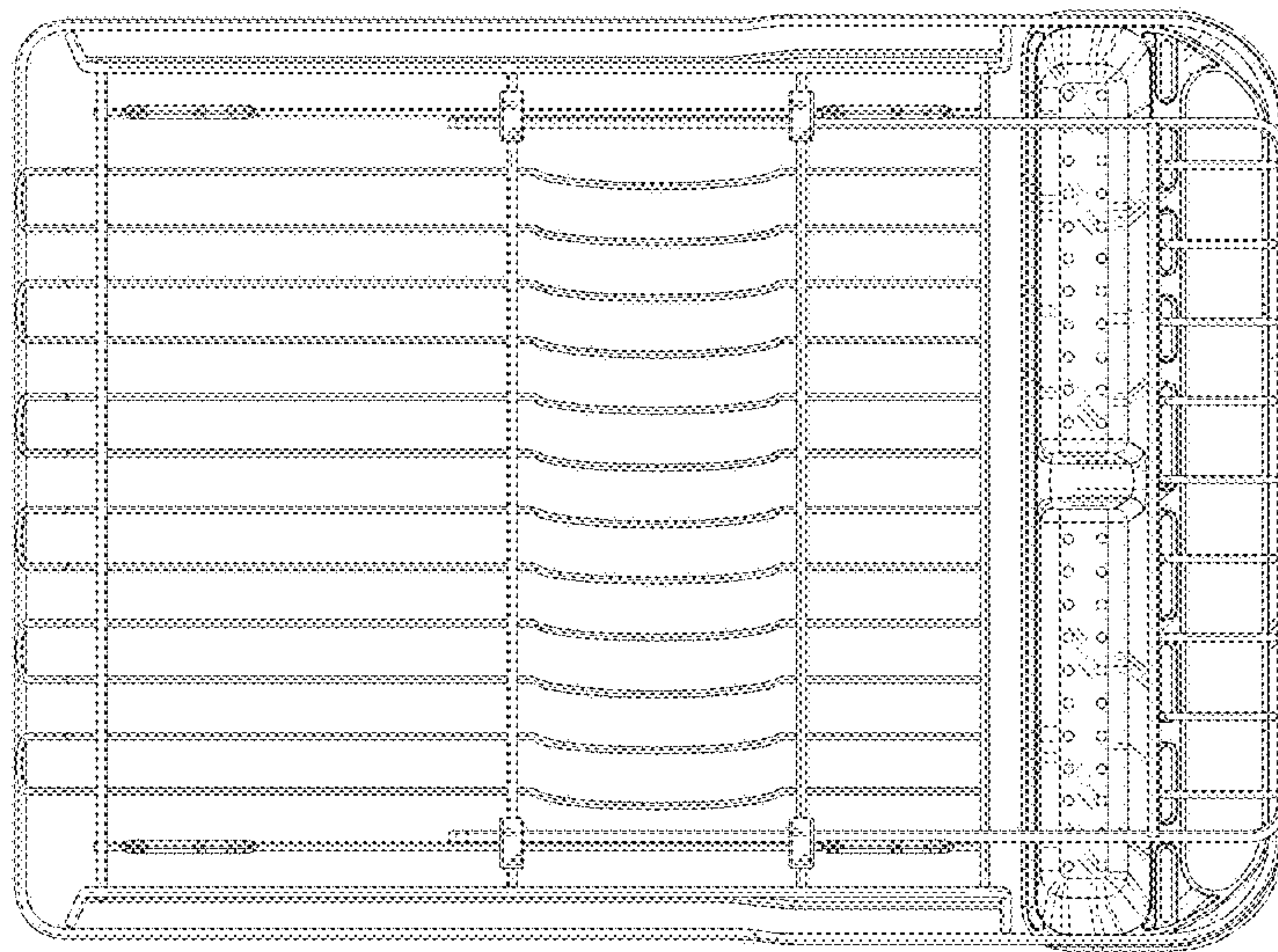


Fig.14