



US00D820541S

(12) **United States Design Patent**
Haverkamp

(10) **Patent No.:** **US D820,541 S**

(45) **Date of Patent:** **** Jun. 12, 2018**

(54) **VACUUM CLEANER BASE**

(71) Applicant: **BISSELL Homecare, Inc.**, Grand Rapids, MI (US)

(72) Inventor: **Matthew Haverkamp**, Kentwood, MI (US)

(73) Assignee: **BISSELL Homecare, Inc.**, Grand Rapids, MI (US)

(**) Term: **15 Years**

(21) Appl. No.: **29/602,774**

(22) Filed: **May 3, 2017**

(51) **LOC (11) Cl.** **15-05**

(52) **U.S. Cl.**
USPC **D32/32**

(58) **Field of Classification Search**
USPC D32/31-34, 22
CPC A47L 5/24; A47L 5/38; A47L 5/28; A47L 11/4044; A47L 11/34; A47L 7/0038; A47L 9/325; A47L 9/02; A47L 1/08; D01H 11/006; B60S 1/64; A46B 11/001; A46B 11/002; B08B 3/026; B08B 3/028
See application file for complete search history.

(56) **References Cited**

U.S. PATENT DOCUMENTS

D553,314 S * 10/2007 Parr D32/32
D685,150 S * 6/2013 Raven D32/32

D707,903 S * 6/2014 Raven D32/32
D720,104 S * 12/2014 Santiago D32/32
D738,055 S * 9/2015 Luedke D32/32
D751,779 S * 3/2016 Smith D32/32
D780,393 S * 2/2017 Carr D32/32
D781,014 S * 3/2017 Wu D32/32

* cited by examiner

Primary Examiner — Ruth McInroy

(74) *Attorney, Agent, or Firm* — McGarry Bair PC

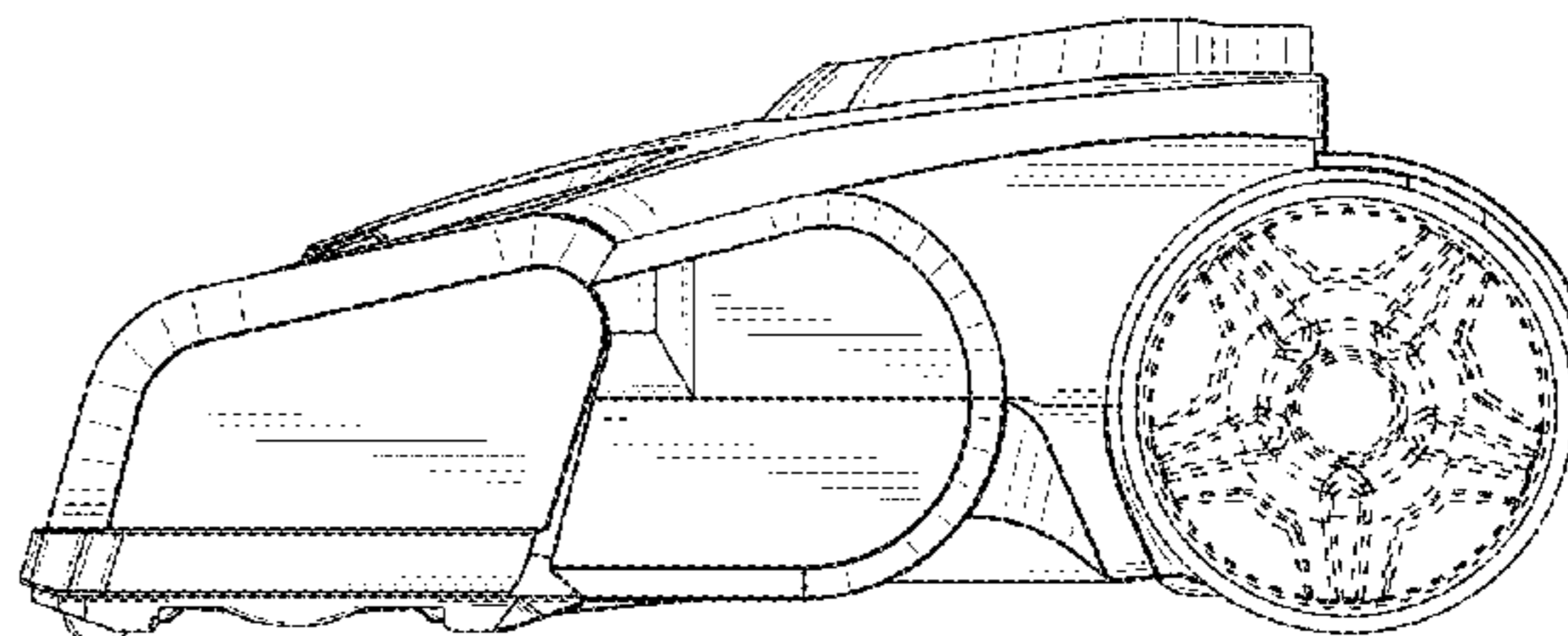
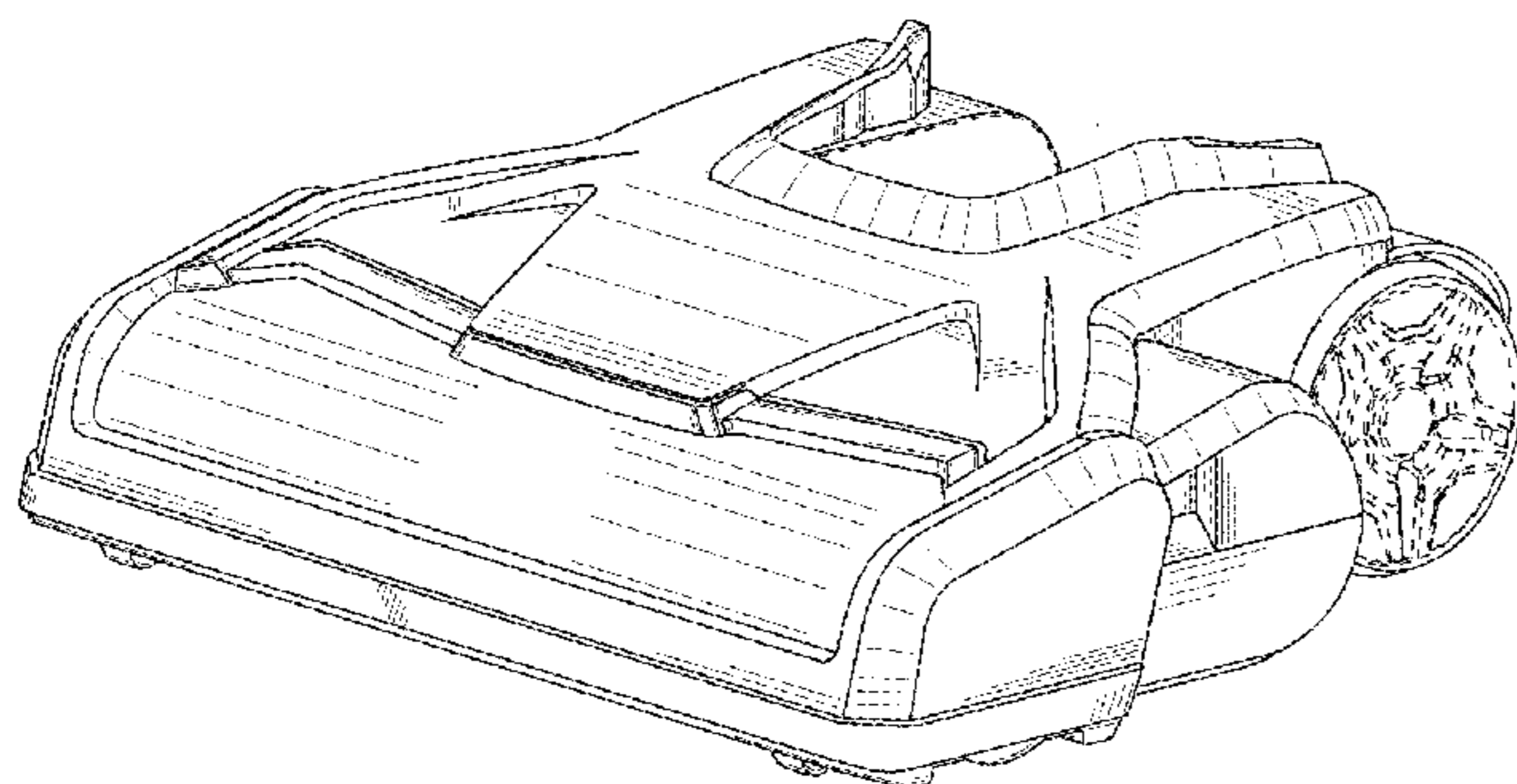
(57) **CLAIM**

The ornamental design for a vacuum cleaner base, as shown and described.

DESCRIPTION

FIG. 1 is a front, right perspective view of a vacuum cleaner base showing my new design;
FIG. 2 is a front view thereof;
FIG. 3 is a left side view thereof;
FIG. 4 is a right side view thereof; and,
FIG. 5 is a top view thereof.
The details shown in broken lines form no part of the claimed design.

1 Claim, 5 Drawing Sheets



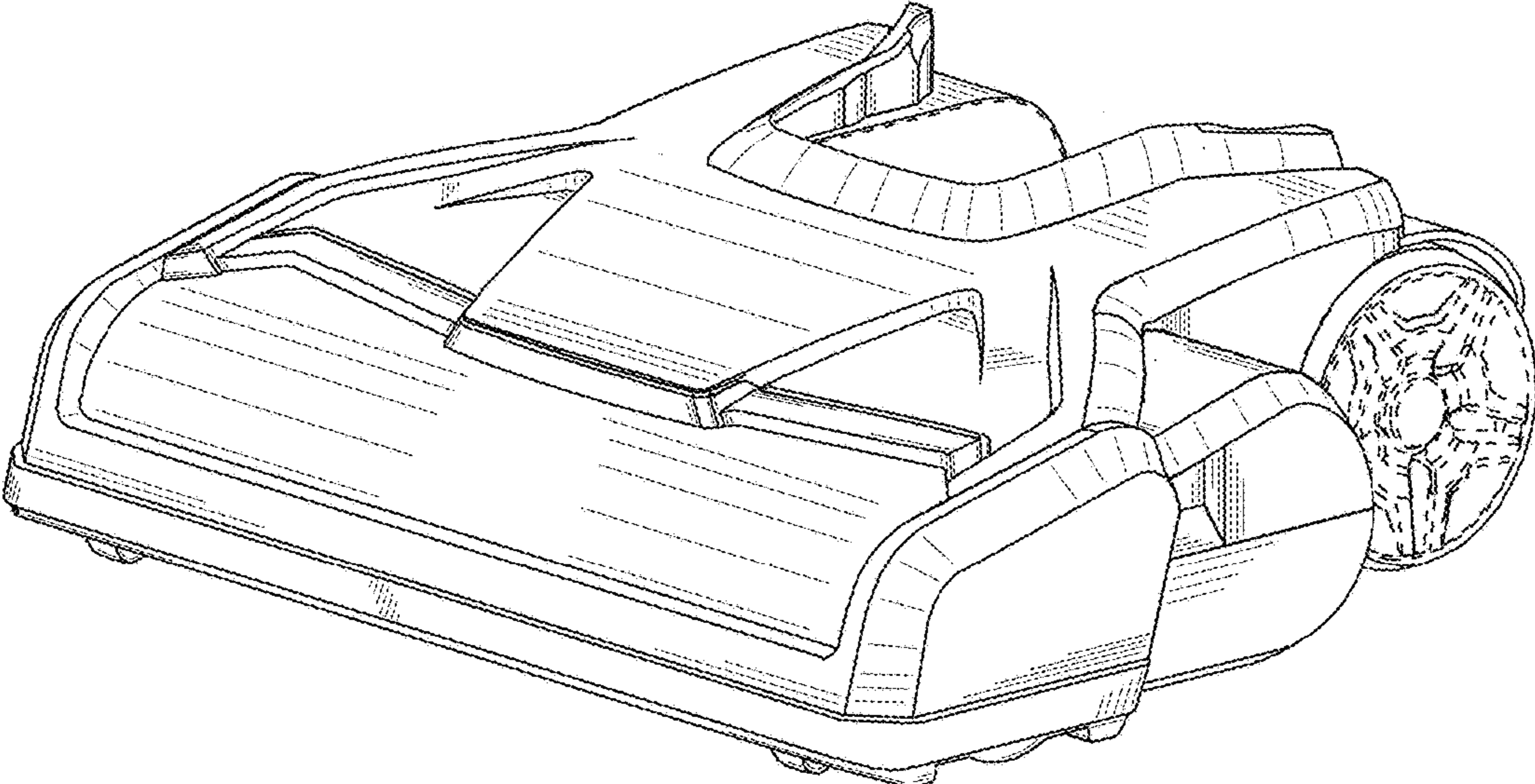


FIG. 1

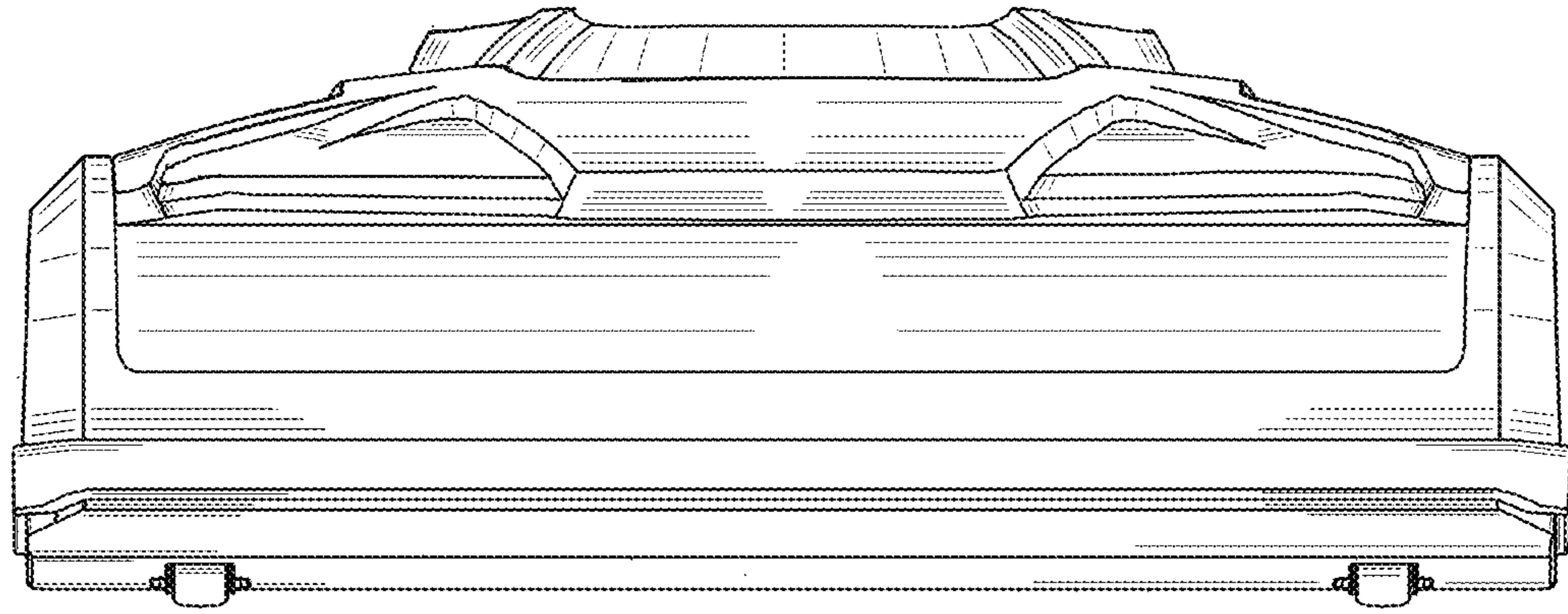


FIG. 2

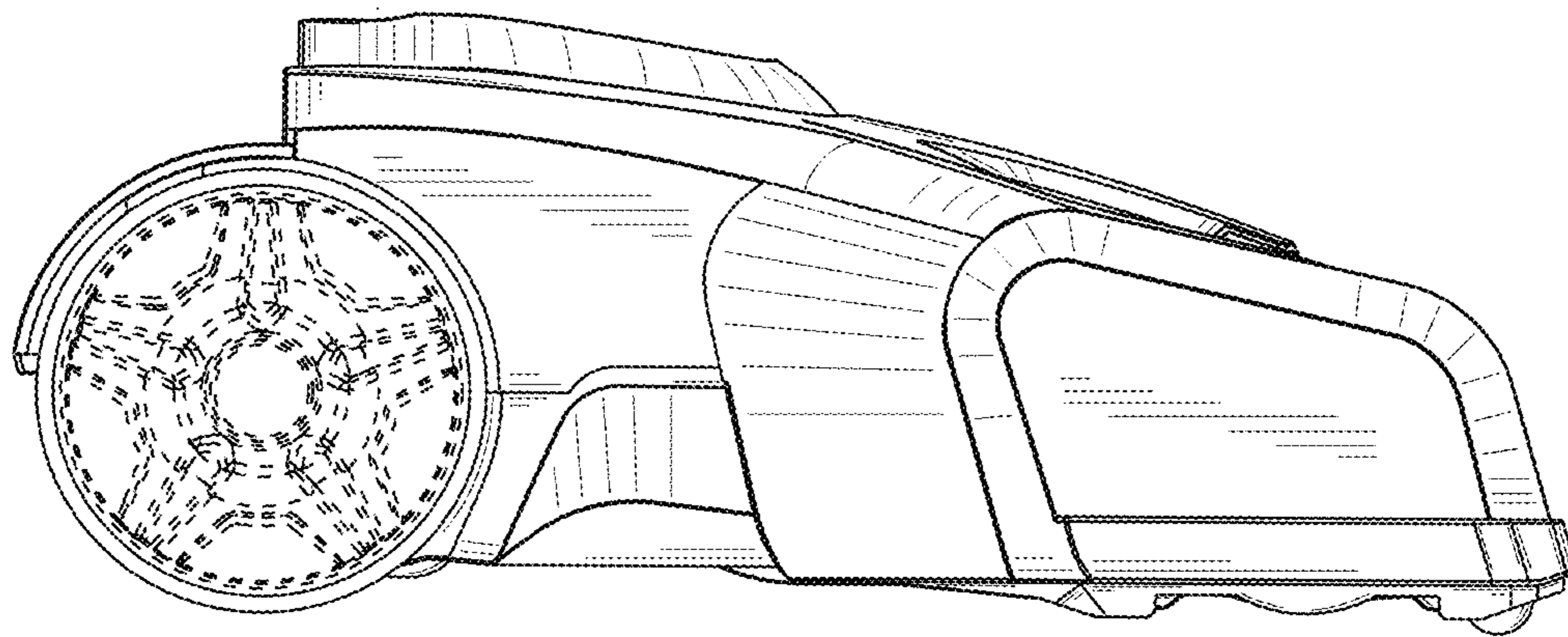


FIG. 3

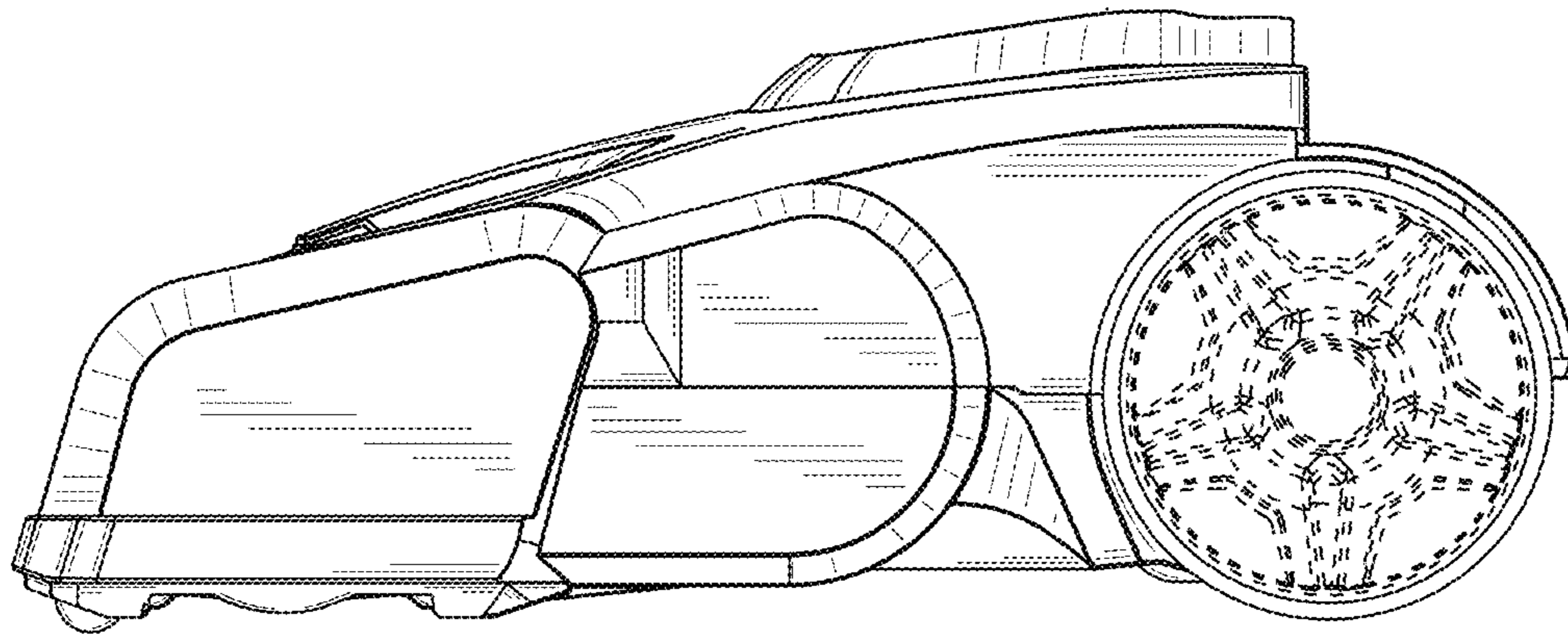


FIG. 4

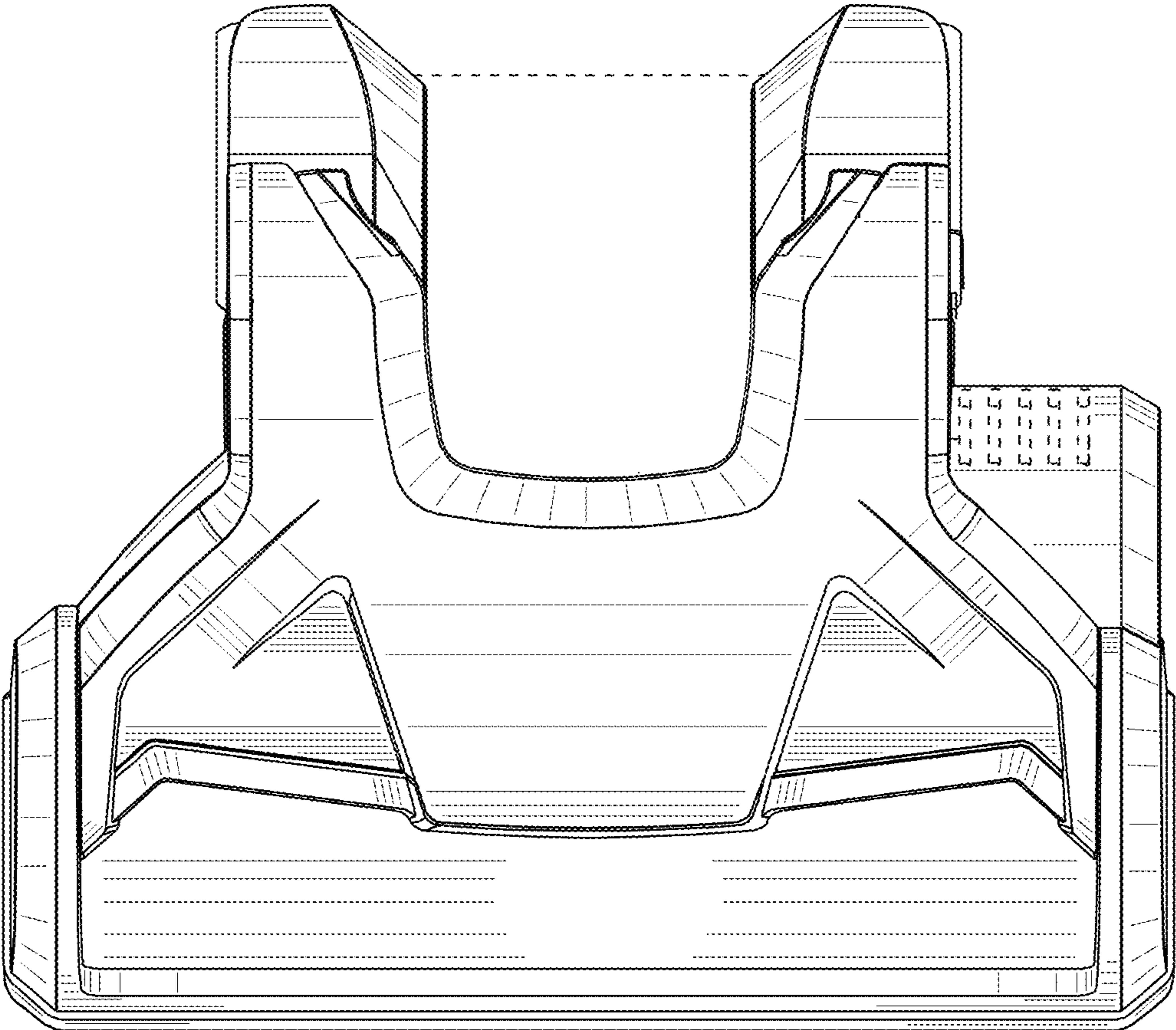


FIG. 5