



US00D820540S

(12) **United States Design Patent**
Cartwright et al.

(10) **Patent No.:** **US D820,540 S**
(45) **Date of Patent:** **** Jun. 12, 2018**

- (54) **GARMENT STEAMER**
- (71) Applicant: **VORNADO AIR LLC**, Andover, KS (US)
- (72) Inventors: **Brian M. Cartwright**, Wichita, KS (US); **Gary Israel**, Andover, KS (US)
- (73) Assignee: **Vornado Air LLC**, Andover, KS (US)
- (**) Term: **15 Years**
- (21) Appl. No.: **29/583,308**
- (22) Filed: **Nov. 3, 2016**
- (51) **LOC (11) Cl.** **15-05**
- (52) **U.S. Cl.**
USPC **D32/31**
- (58) **Field of Classification Search**
USPC D32/17, 21, 23, 24, 31
CPC G06N 3/008; A47L 9/2857; A47L 9/2842;
A47L 5/362; A47L 5/365; A47L 5/36;
A47L 5/28; A47L 5/30; A47L 5/24; A47L
7/0038; A47L 11/34; E04H 4/1654; D06F
87/00
See application file for complete search history.

(56) **References Cited**
U.S. PATENT DOCUMENTS

D481,183 S	*	10/2003	Mangano	D32/17
D587,866 S	*	3/2009	Mangano	D32/17
D592,366 S	*	5/2009	Mangano	D32/17

D598,614 S	*	8/2009	Lam	D32/17
D611,208 S	*	3/2010	Lam	D32/17
D620,208 S	*	7/2010	Mangano	D32/17
D620,651 S	*	7/2010	Enervold	D32/17
D634,493 S	*	3/2011	Breit	D32/17
D648,494 S	*	11/2011	Vrdoljak	D32/17
D656,693 S	*	3/2012	Lavy	D32/17
D674,564 S	*	1/2013	Mangano	D32/17
D702,406 S	*	4/2014	Mu	D32/17
D704,399 S	*	5/2014	Crawley	D32/17
D708,801 S	*	7/2014	Israel	D32/17
D753,354 S	*	4/2016	Casini	D32/17
D771,331 S	*	11/2016	Chaklos	D32/17

* cited by examiner

Primary Examiner — Ruth McInroy
(74) *Attorney, Agent, or Firm* — Milligan PC LLO

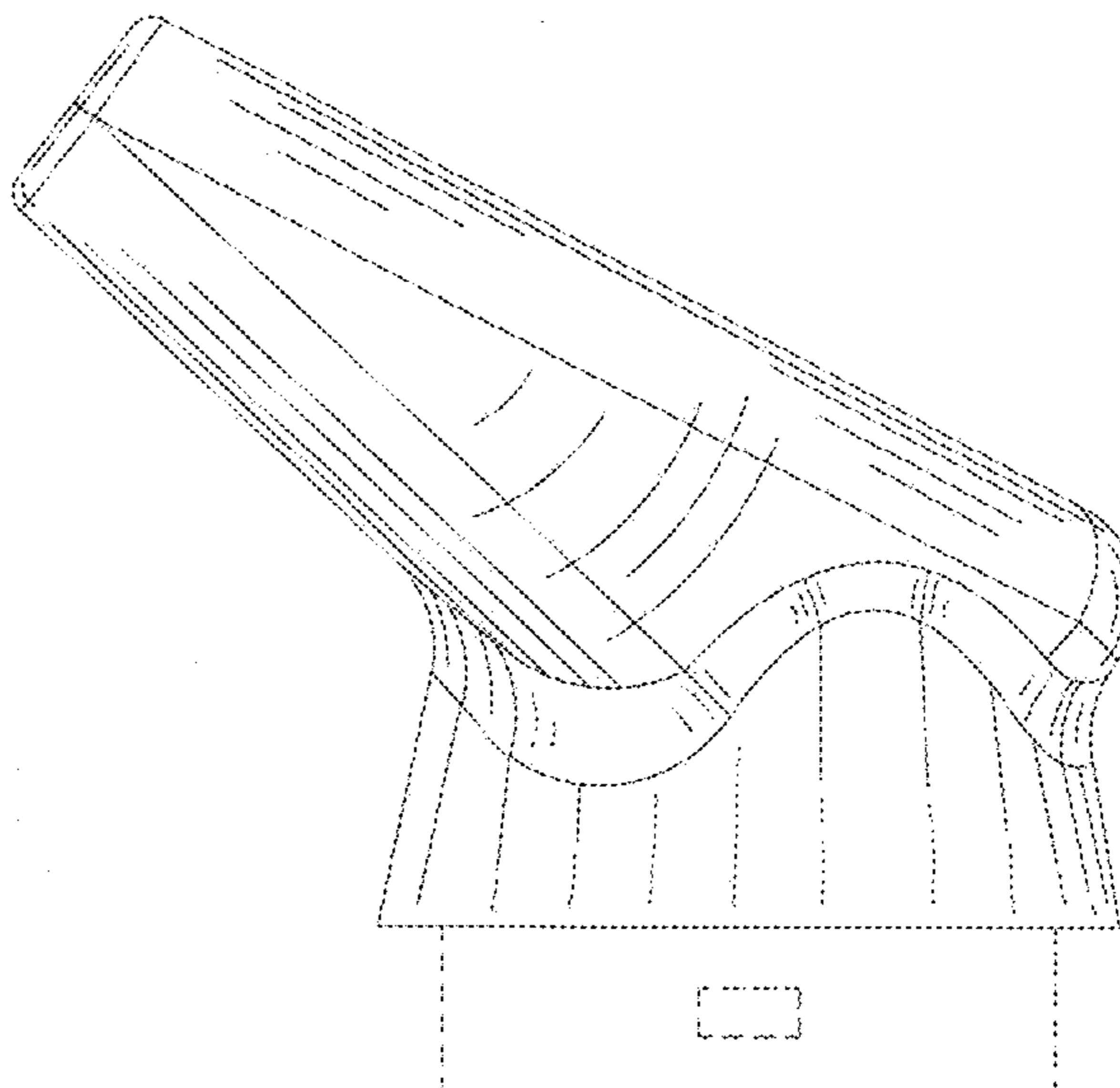
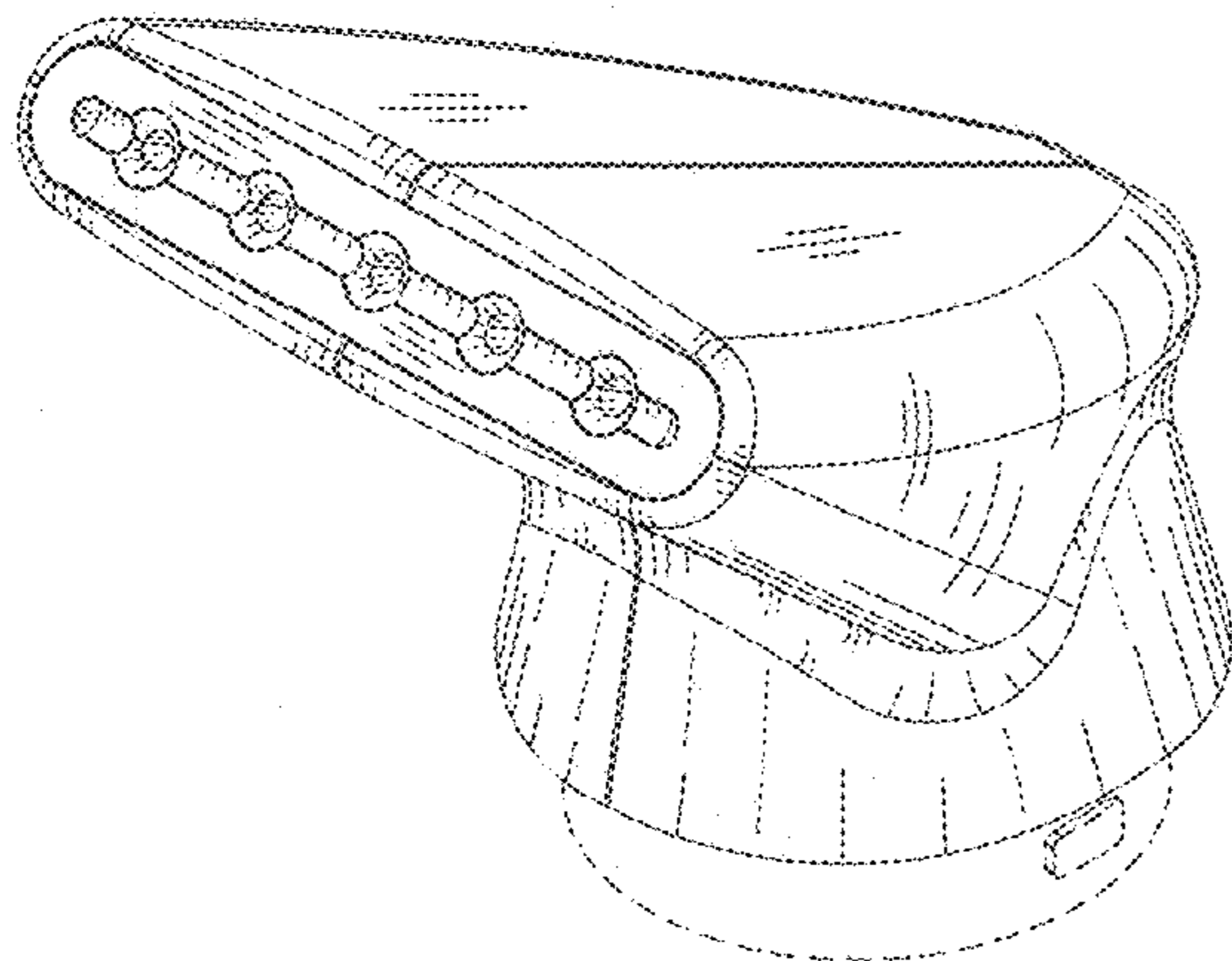
(57) **CLAIM**

The ornamental design for a garment steamer, as shown and described.

DESCRIPTION

FIG. 1 is a front, left, top perspective view of the garment steamer;
 FIG. 2 is a top elevation view thereof;
 FIG. 3 is a bottom elevation view thereof;
 FIG. 4 is a front elevation view thereof;
 FIG. 5 is a back elevation view thereof;
 FIG. 6 is a right elevation view thereof; and,
 FIG. 7 is a left elevation view thereof.
 The broken lines represent portion of the structure that form no part of the claimed design.

1 Claim, 5 Drawing Sheets



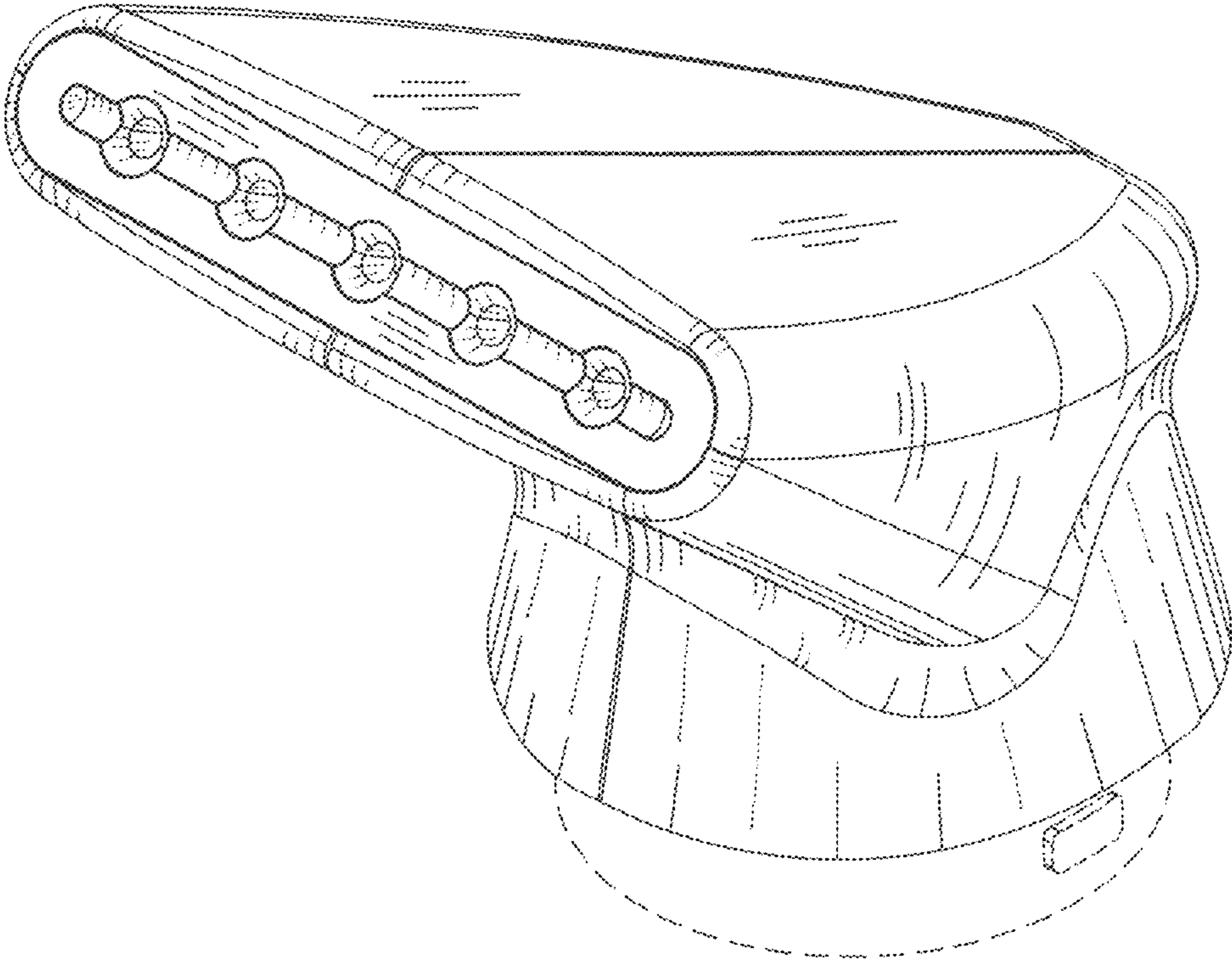


FIG. 1

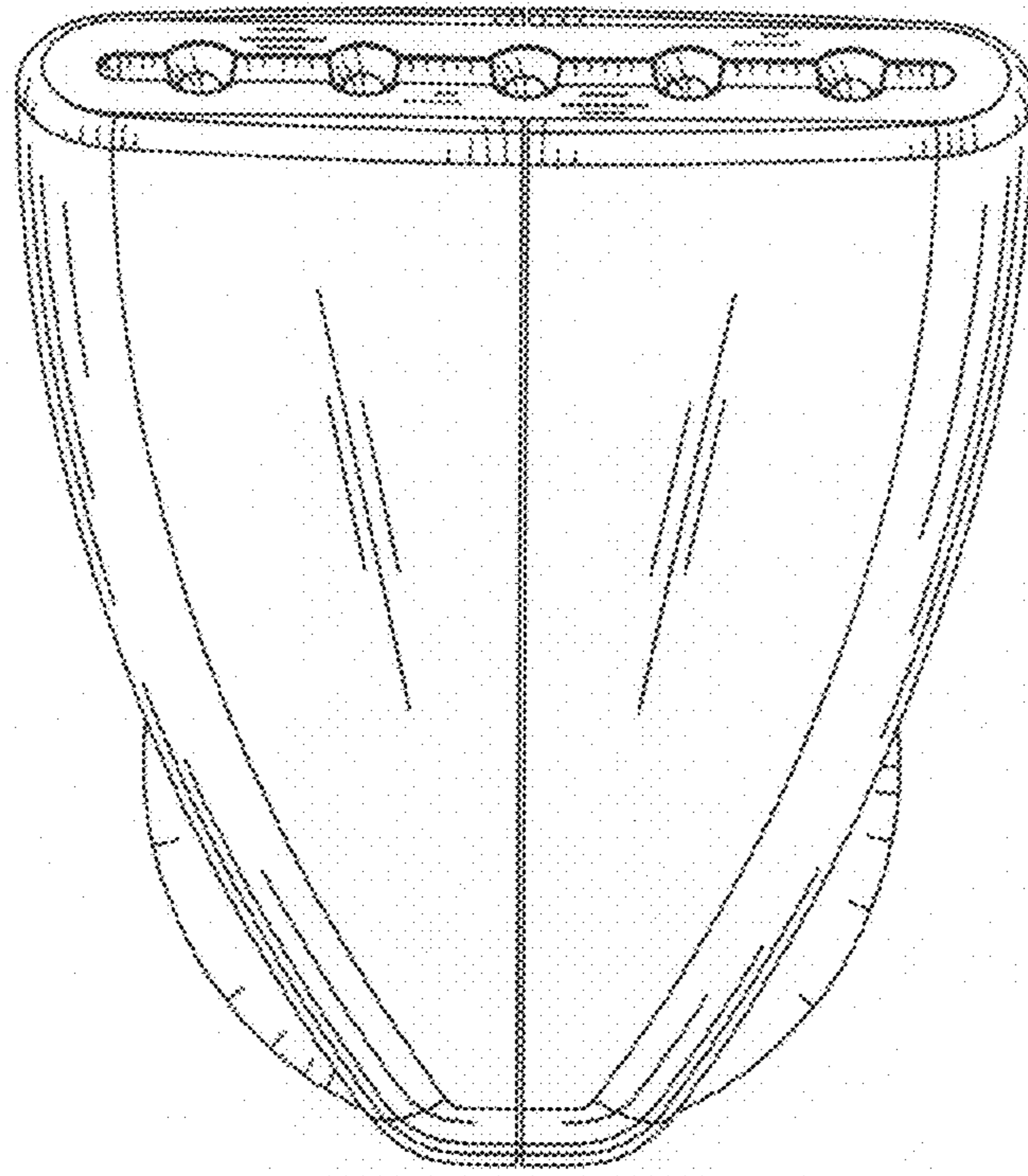


FIG. 2

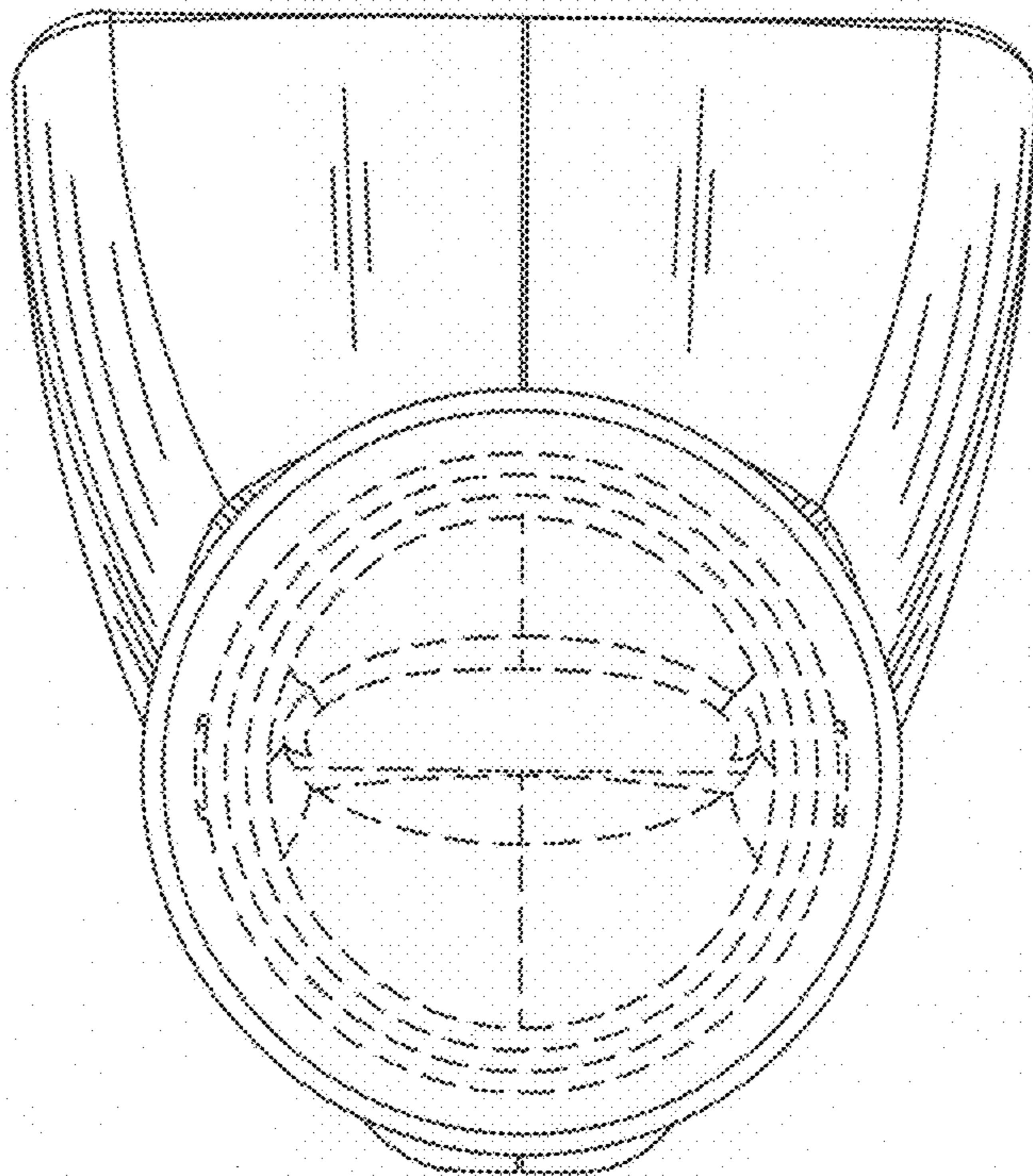


FIG. 3

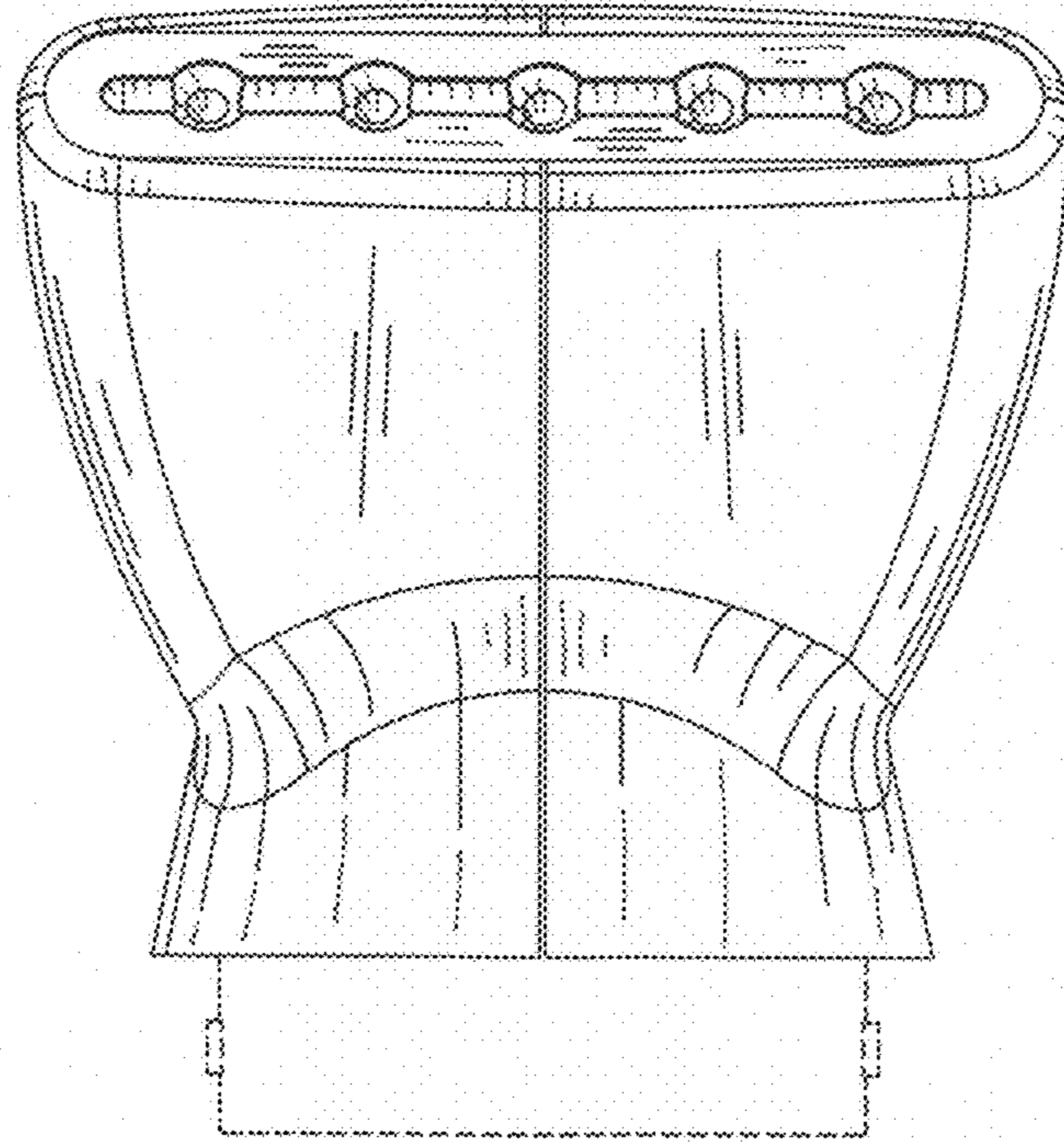


FIG. 4

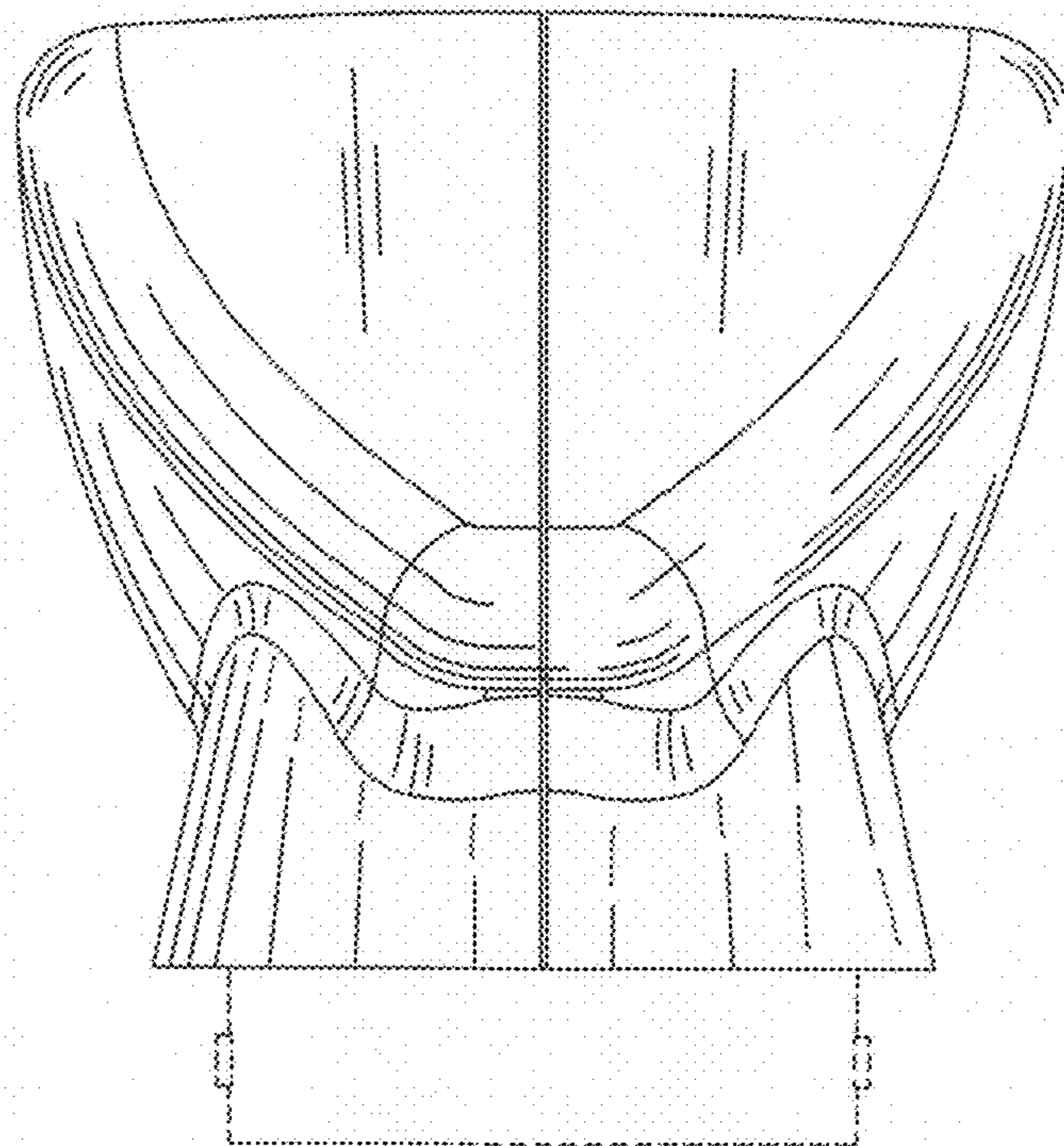


FIG. 5

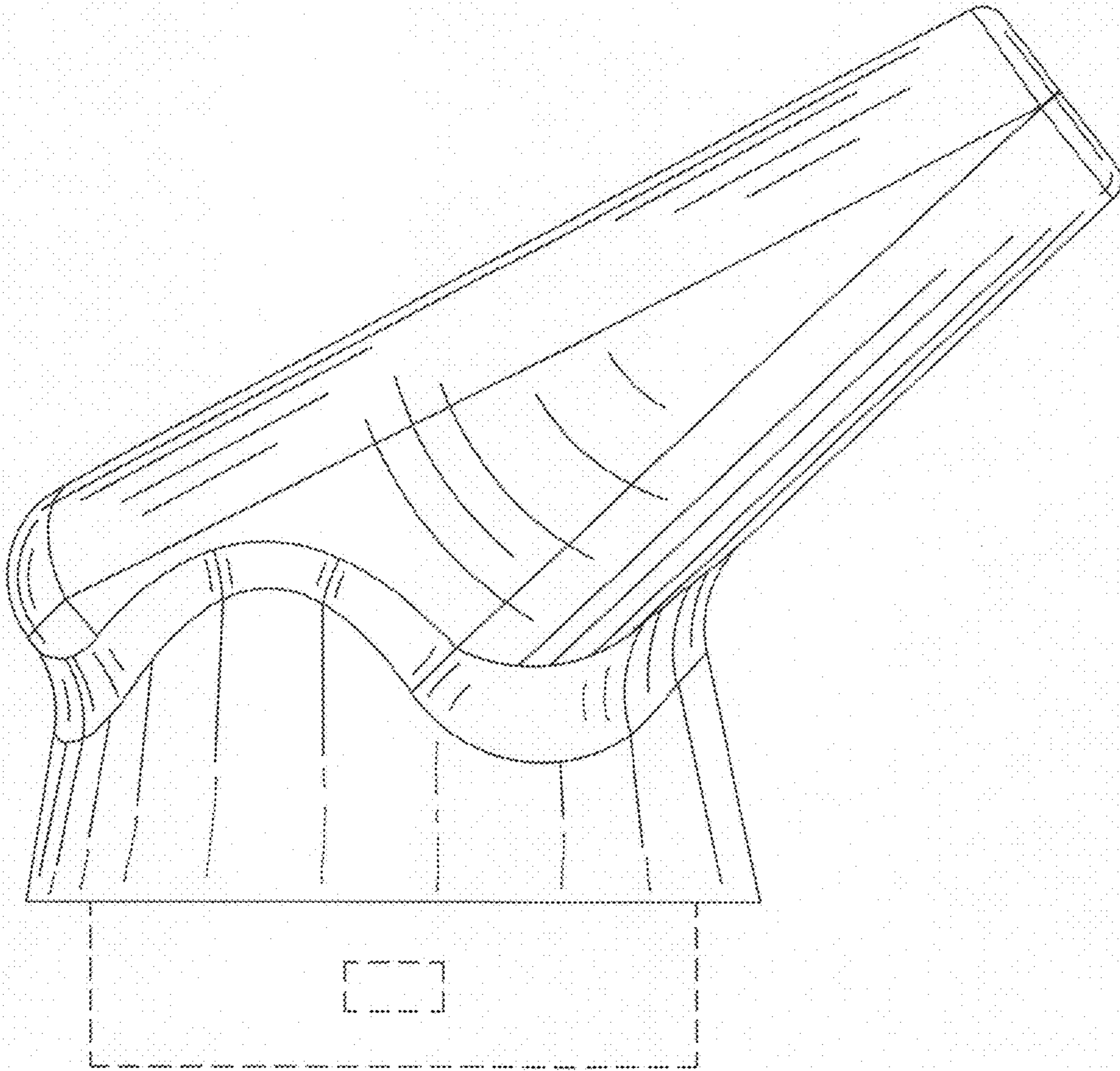


FIG. 6

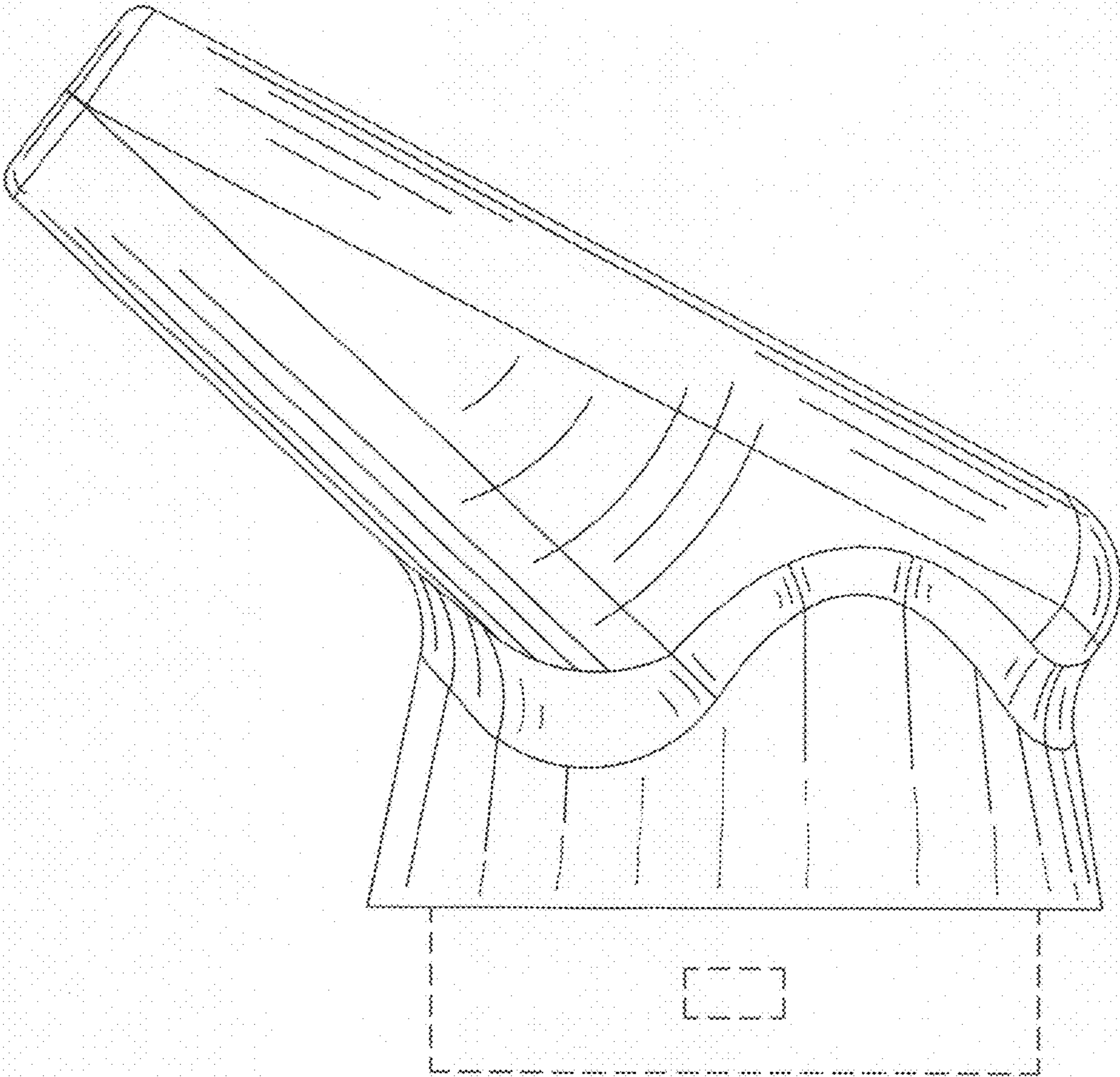


FIG. 7