



US00D820538S

(12) **United States Design Patent**
Urbanczyk

(10) **Patent No.:** **US D820,538 S**
(45) **Date of Patent:** **** Jun. 12, 2018**

- (54) **PET RING**
- (71) Applicant: **Adam Edward Urbanczyk**, Chicago, IL (US)
- (72) Inventor: **Adam Edward Urbanczyk**, Chicago, IL (US)
- (73) Assignee: **PETAU LLC**, Warren, MI (US)
- (**) Term: **15 Years**
- (21) Appl. No.: **29/575,706**
- (22) Filed: **Aug. 27, 2016**
- (51) **LOC (11) Cl.** **30-99**
- (52) **U.S. Cl.**
USPC **D30/160**
- (58) **Field of Classification Search**
USPC D30/160; D21/451, 457, 567, 443;
D11/120, 4; D9/419; 119/702, 706-711;
473/46, 48, 276, 450, 453; 601/134;
D8/41
CPC A01K 15/00; A01K 15/02; A01K 15/025;
A01K 29/00; A61F 7/00
See application file for complete search history.

D386,105 S *	11/1997	Kornmann	D11/4
5,848,981 A *	12/1998	Herbranson	A61F 7/10 601/134
D425,267 S *	5/2000	Kengie	D30/160
D442,234 S *	5/2001	Seo	D21/457
D445,146 S *	7/2001	Seo	D21/457
D451,430 S *	12/2001	Tsai	D11/120
D458,651 S *	6/2002	Lee	D21/457
6,606,967 B1 *	8/2003	Wolfe, Jr.	A01K 15/02 119/856
D524,877 S *	7/2006	Kort	D21/443
D612,552 S *	3/2010	Matz	D30/160
7,699,682 B1 *	4/2010	Scott, Sr.	A63H 33/02 446/450
7,950,379 B2 *	5/2011	Tidman	F41B 3/04 124/1
D682,470 S *	5/2013	Krasniansky	D28/41
8,973,534 B2 *	3/2015	Taylor	A01K 15/025 119/702
D749,803 S *	2/2016	Urbanczyk	D30/160
9,326,489 B2 *	5/2016	Ritzdorf	A01K 27/001
2004/0205807 A1 *	10/2004	Wilcoxson	A63H 33/18 720/720

(Continued)

Primary Examiner — Caron D Veynar
Assistant Examiner — Mehri F Bajoul
(74) *Attorney, Agent, or Firm* — Au LLC; Adam E. Urbanczyk

(57) **CLAIM**

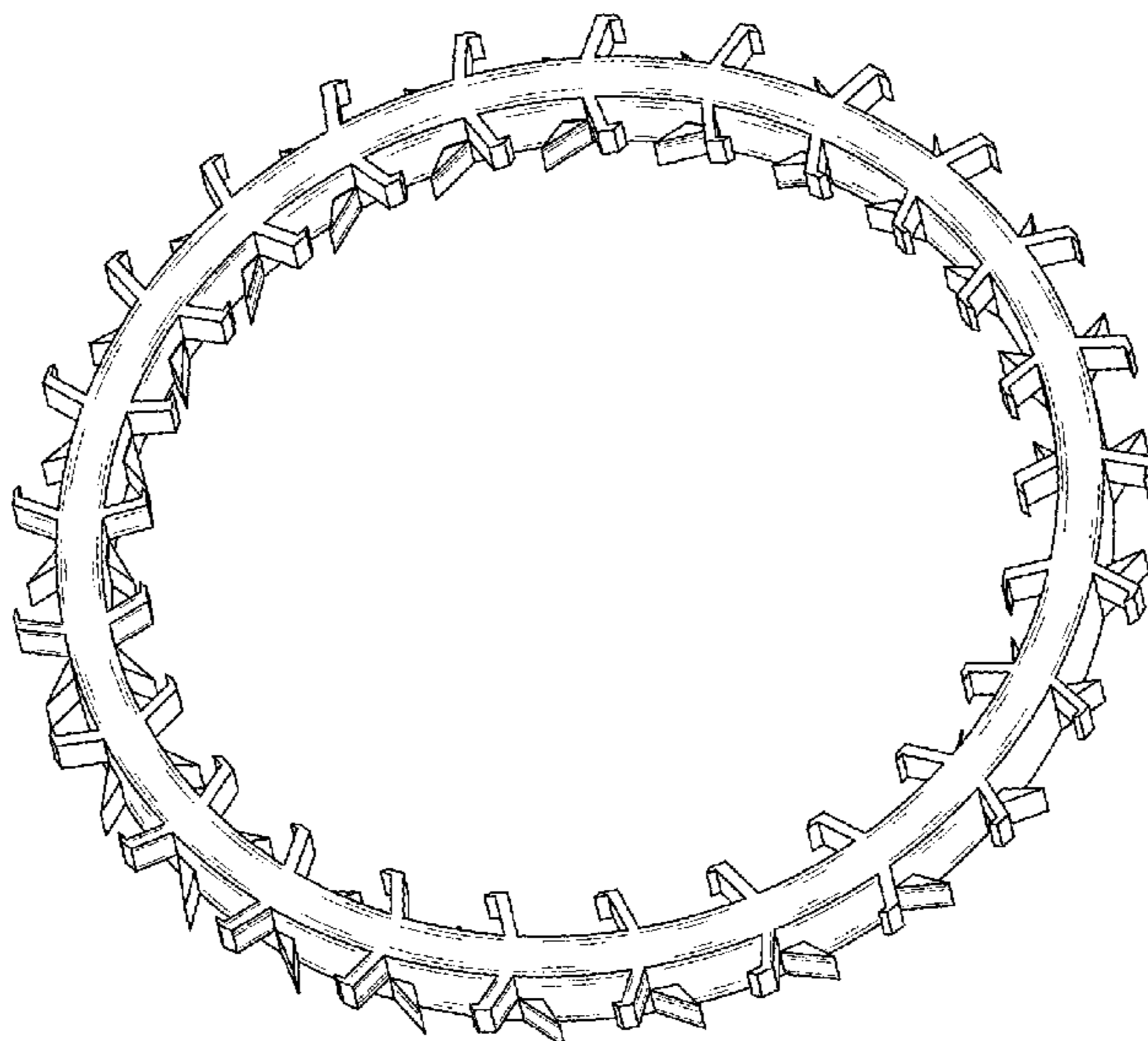
The ornamental design for a pet ring, as shown and described.

DESCRIPTION

FIG. 1 is a perspective view of a pet ring;
FIG. 2 is a partial enlarged cross-section view thereof taken along line 2-2 of FIG. 3;
FIG. 3 is a bottom view thereof;
FIG. 4 is a side view thereof; and,
FIG. 5 is a top view thereof.

1 Claim, 5 Drawing Sheets

- (56) **References Cited**
U.S. PATENT DOCUMENTS
- 2,644,270 A * 7/1953 Marong A63B 67/08
273/109
- 4,052,982 A * 10/1977 Ozeryansky A61H 7/00
446/236
- 5,067,923 A * 11/1991 de Bourbon A63H 33/18
434/258
- 5,080,939 A * 1/1992 Eheler A01G 5/04
428/10
- D342,294 S * 12/1993 Kirkland D21/457
- 5,429,360 A * 7/1995 Capecci, Jr. A63B 67/14
473/589



(56)

References Cited

U.S. PATENT DOCUMENTS

2006/0189246 A1* 8/2006 Stark A63H 33/18
446/46
2011/0124262 A1* 5/2011 Buker A63H 33/18
446/46
2012/0167832 A1* 7/2012 Luna A01K 15/025
119/707

* cited by examiner

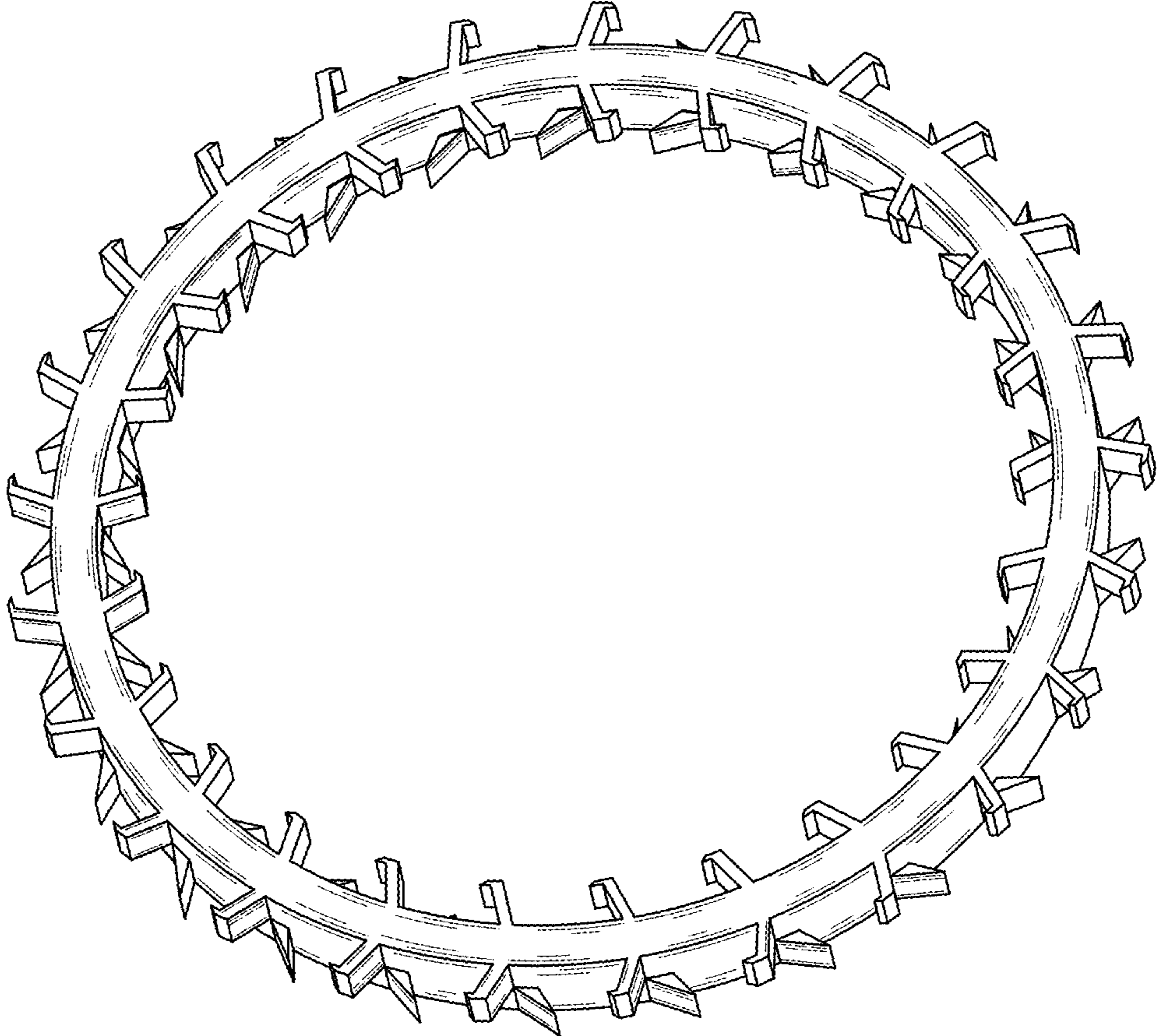


FIG. 1

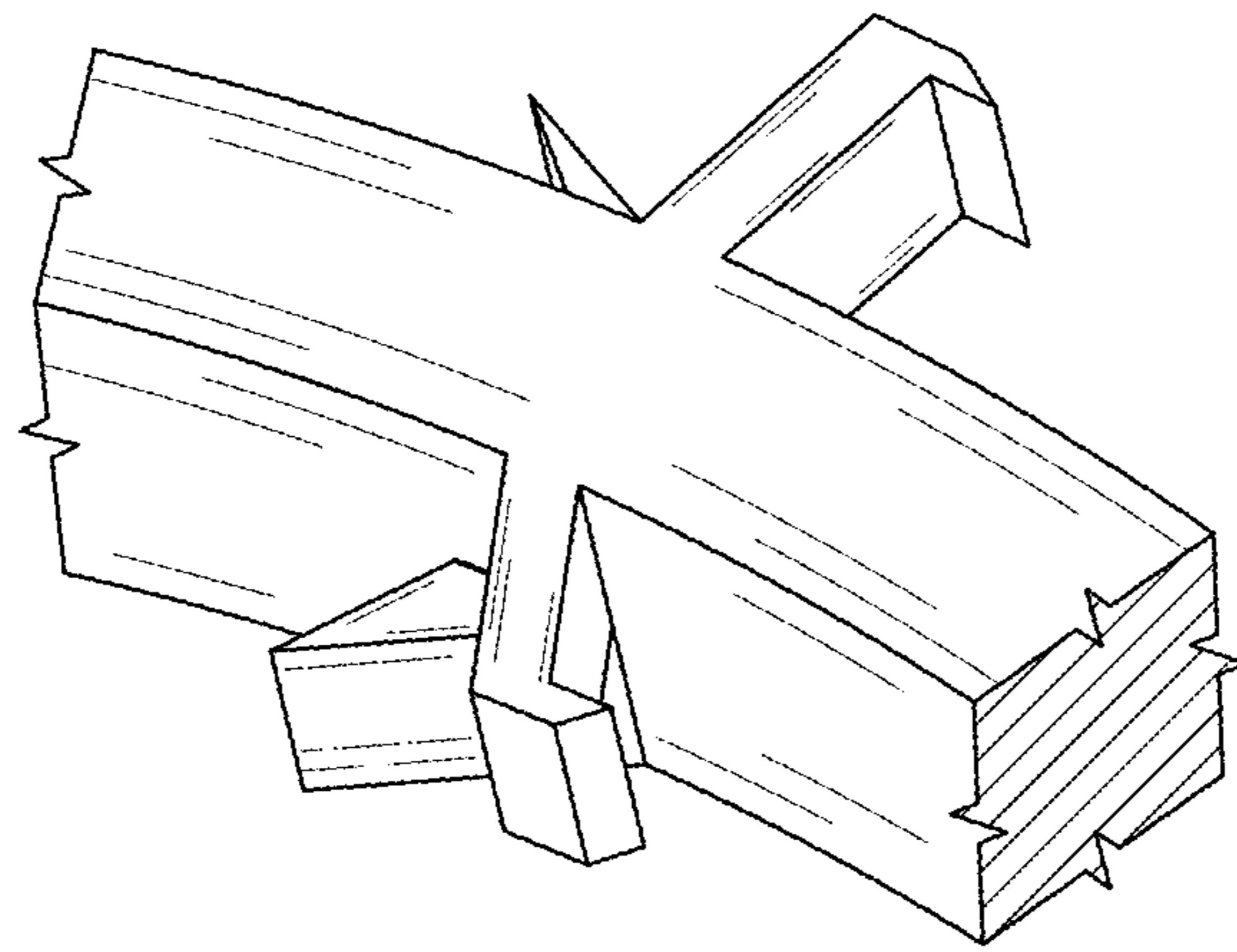


FIG. 2

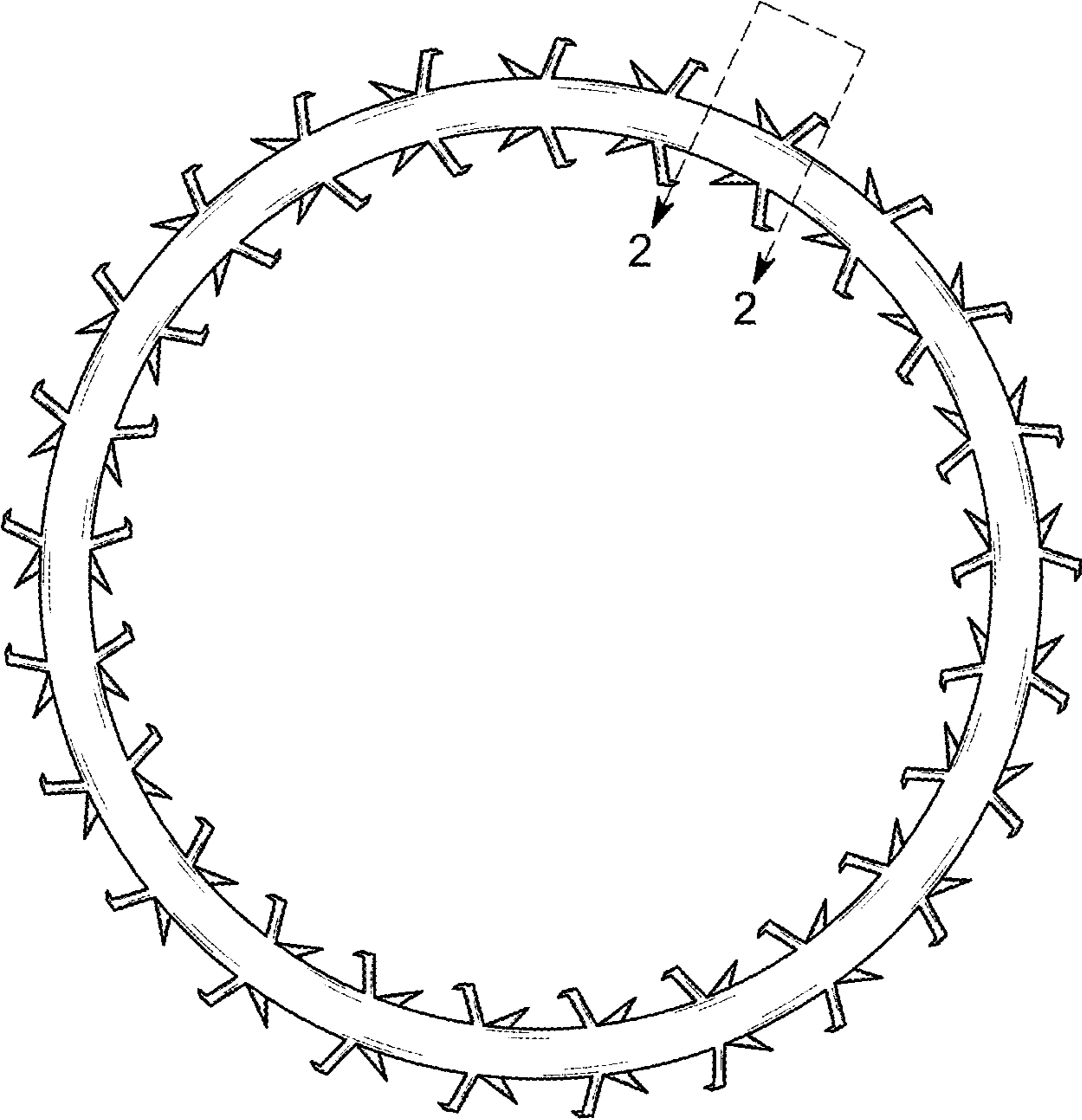


FIG. 3

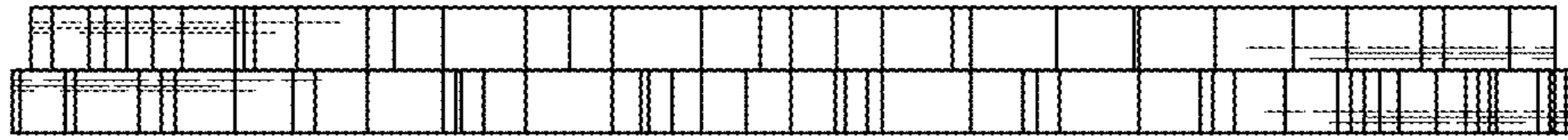


FIG. 4

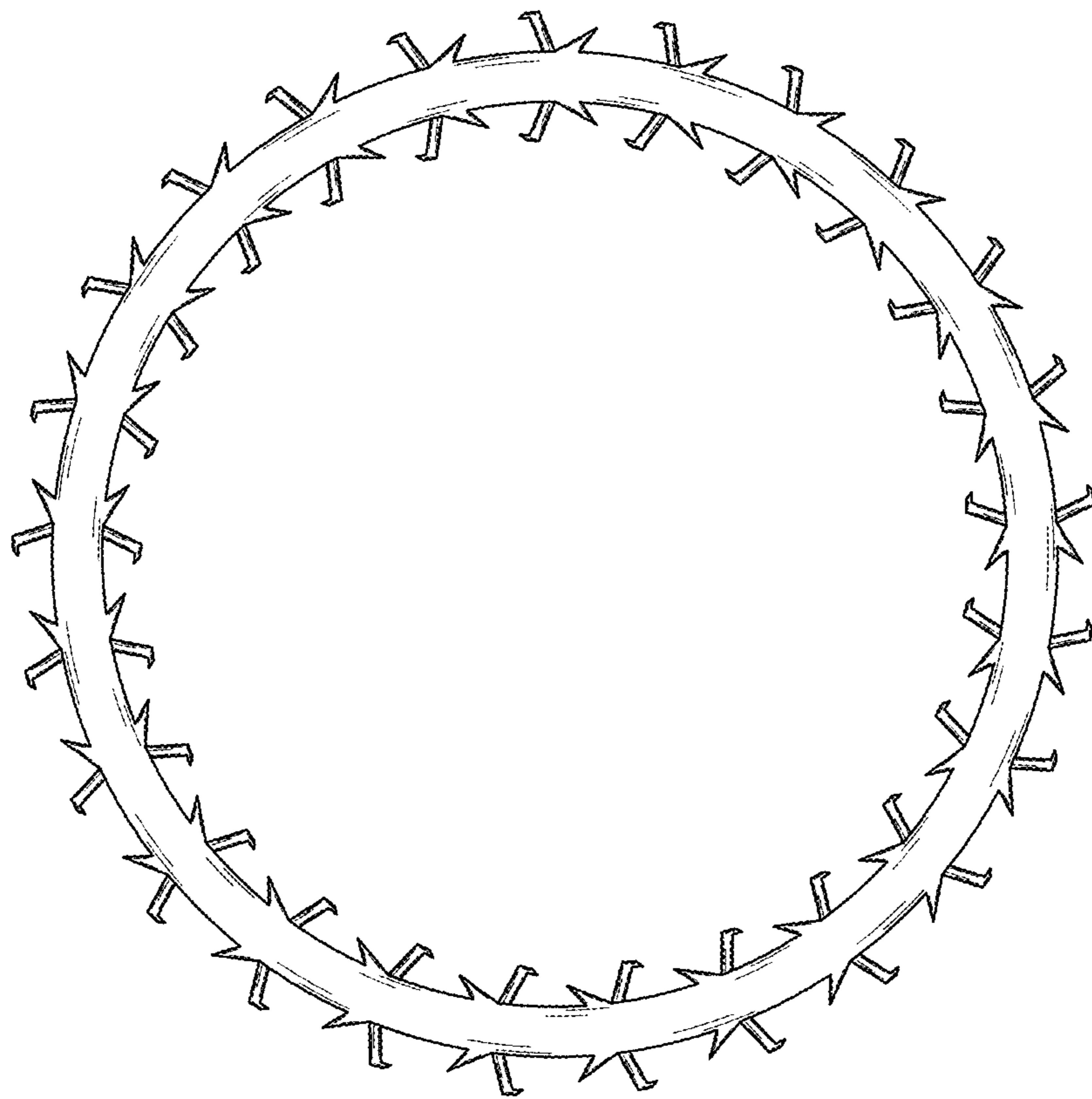


FIG. 5