



US00D820536S

(12) **United States Design Patent**  
**Nishihara**

(10) **Patent No.:** **US D820,536 S**  
(45) **Date of Patent:** **\*\* Jun. 12, 2018**

(54) **PET FEEDER**

(71) Applicant: **IRIS OHYAMA INC.**, Sendai-shi,  
Miyagi (JP)

(72) Inventor: **Takuya Nishihara**, Kakuda (JP)

(73) Assignee: **IRIS OHYAMA INC.**, Sendai-shi (JP)

(\*\*) Term: **15 Years**

(21) Appl. No.: **29/619,273**

(22) Filed: **Sep. 28, 2017**

(30) **Foreign Application Priority Data**

May 9, 2017 (JP) ..... 2017-009887

(51) **LOC (11) Cl.** ..... **30-03**

(52) **U.S. Cl.**  
USPC ..... **D30/133**; D30/121; D30/131; D30/130

(58) **Field of Classification Search**  
USPC ..... D30/133, 121, 128, 130, 132; 119/52.1,  
119/55, 61.5, 61.6, 61.57, 61.56;  
D6/480-489, 708, 691.6, 656.13, 691.8,  
D6/495-499, 349, 429, 477, 353, 690;  
248/188, 157, 188.5, 188.8, 188.9, 404,  
248/226.11, 231.31; 312/204;  
108/153.1-157, 144.11, 145, 146, 147.12,  
108/147.21, 148, 149, 150, 151, 152,  
108/157.1, 161, 147.19, 64, 136;  
297/423.46, 423.44, 423.45; 5/659,  
5/503.1, 505.1  
CPC ..... A01K 5/00; A01K 5/01; A01K 5/0107;  
A01K 5/0114; A01K 5/0121; A01K  
5/0128; A01K 5/0135; A01K 7/005  
See application file for complete search history.

(56) **References Cited**

**U.S. PATENT DOCUMENTS**

D551,400 S 9/2007 Tsengas  
D592,814 S 5/2009 Uffner et al.

D606,711 S \* 12/2009 Becattini, Jr. .... D30/130  
D625,887 S \* 10/2010 Becattini, Jr. .... D30/130  
D642,338 S \* 7/2011 Becattini, Jr. .... D30/130  
8,528,489 B2 \* 9/2013 Roy ..... A47B 3/08  
108/125

(Continued)

**FOREIGN PATENT DOCUMENTS**

JP 1348783 S 1/2009

**OTHER PUBLICATIONS**

An Office Action; "Notice of Allowance", issued by the Japanese Patent Office dated Nov. 21, 2017, which corresponds to Japanese Design Application No. 2017-009887; with English language Concise Explanation.

(Continued)

*Primary Examiner* — Susan Moon Lee

(74) *Attorney, Agent, or Firm* — Studebaker & Brackett  
PC

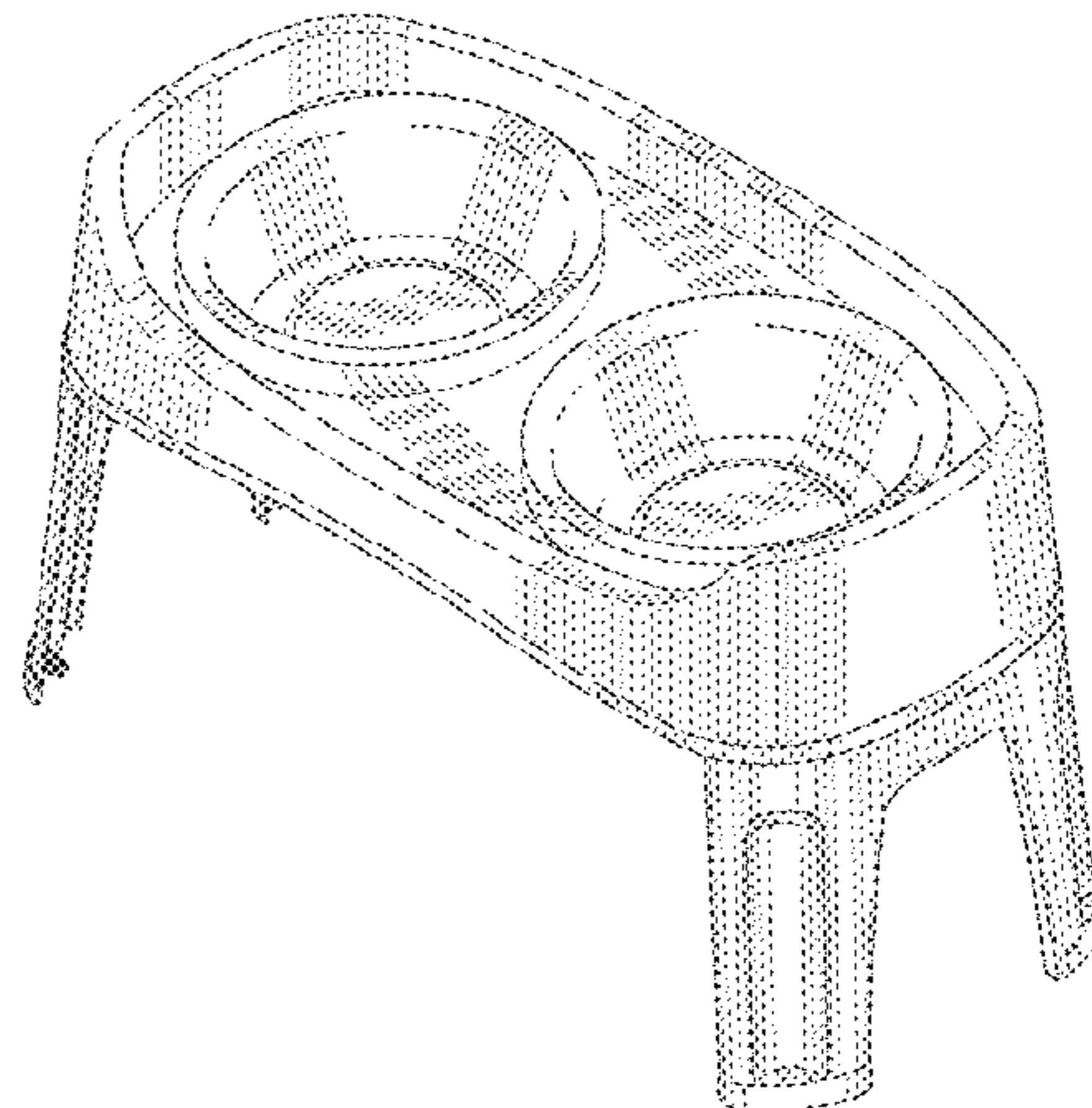
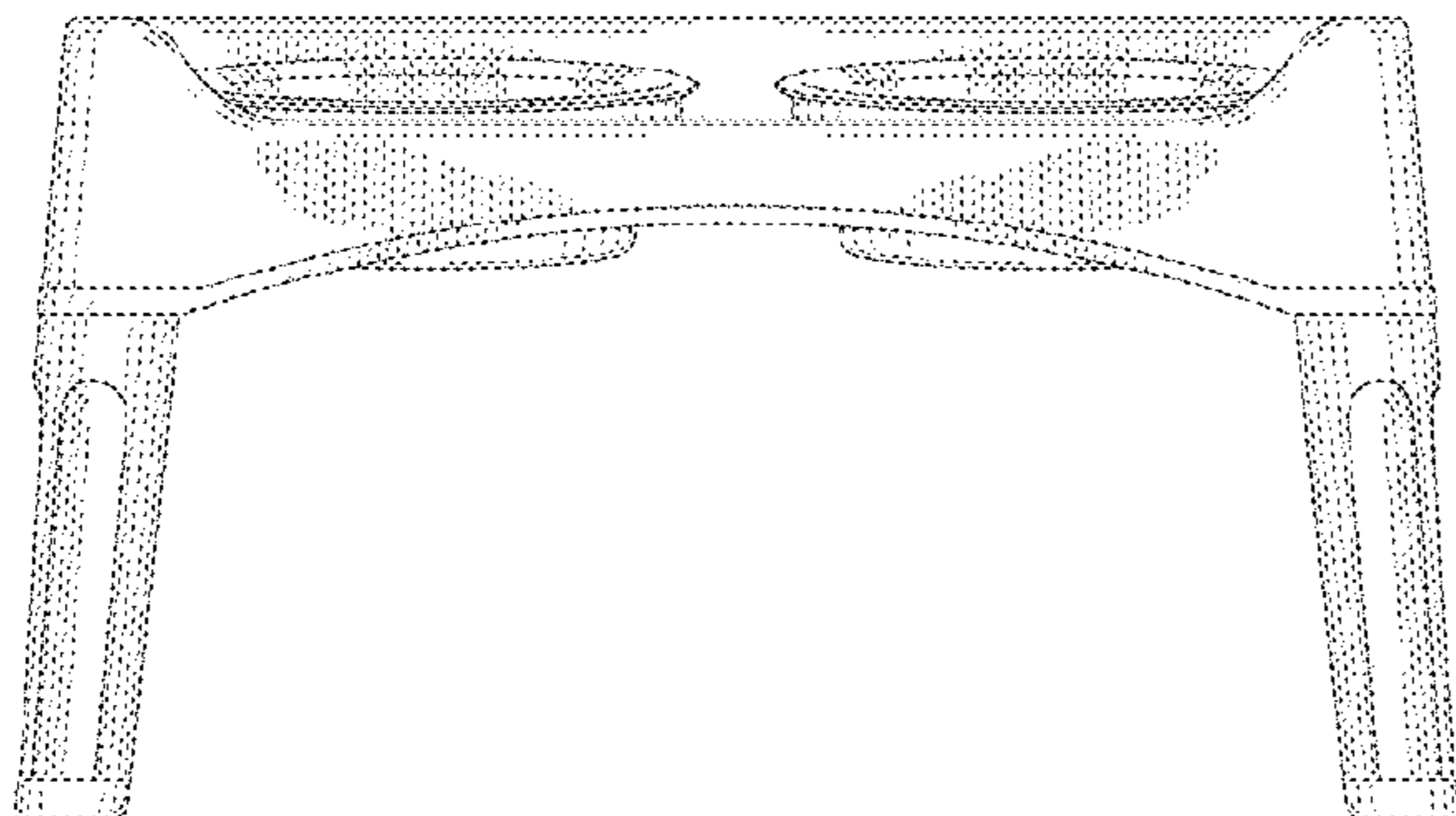
(57) **CLAIM**

The ornamental design for a pet feeder, as shown and described.

**DESCRIPTION**

FIG. 1 is a front view of a pet feeder showing my new design;  
FIG. 2 is a rear view thereof;  
FIG. 3 is a top view thereof;  
FIG. 4 is a bottom view thereof;  
FIG. 5 is a left-side view thereof, with the right-side view being a mirror image thereof;  
FIG. 6 is a front, top and right-side perspective view thereof; and,  
FIG. 7 is a front, bottom and right-side perspective view thereof.  
The thin lines shown represent ridgelines of three-dimensional shape of the pet feeder.

**1 Claim, 7 Drawing Sheets**



(56)

**References Cited**

U.S. PATENT DOCUMENTS

2014/0346293 A1\* 11/2014 Qiu ..... A01K 5/0114  
248/176.1

OTHER PUBLICATIONS

Pet Product News International, Dec. 2016, No. 12, vol. 70, p. 46,  
(Japan Patent Office Design Patent Department, publicly known  
reference No. HB29001212).

Ideal for indoor installation—Dog dishes that make it easy for dogs  
to eat delightfully and to be delighted!, p. 1 Japan Patent Office  
Design Patent Department, publicly known reference No.  
HC14008851).

TJX Cos., Inc., publications on website (Japan Patent Office Design  
Patent Department, publicly known reference No. HJ27016821).

\* cited by examiner

FIG. 1

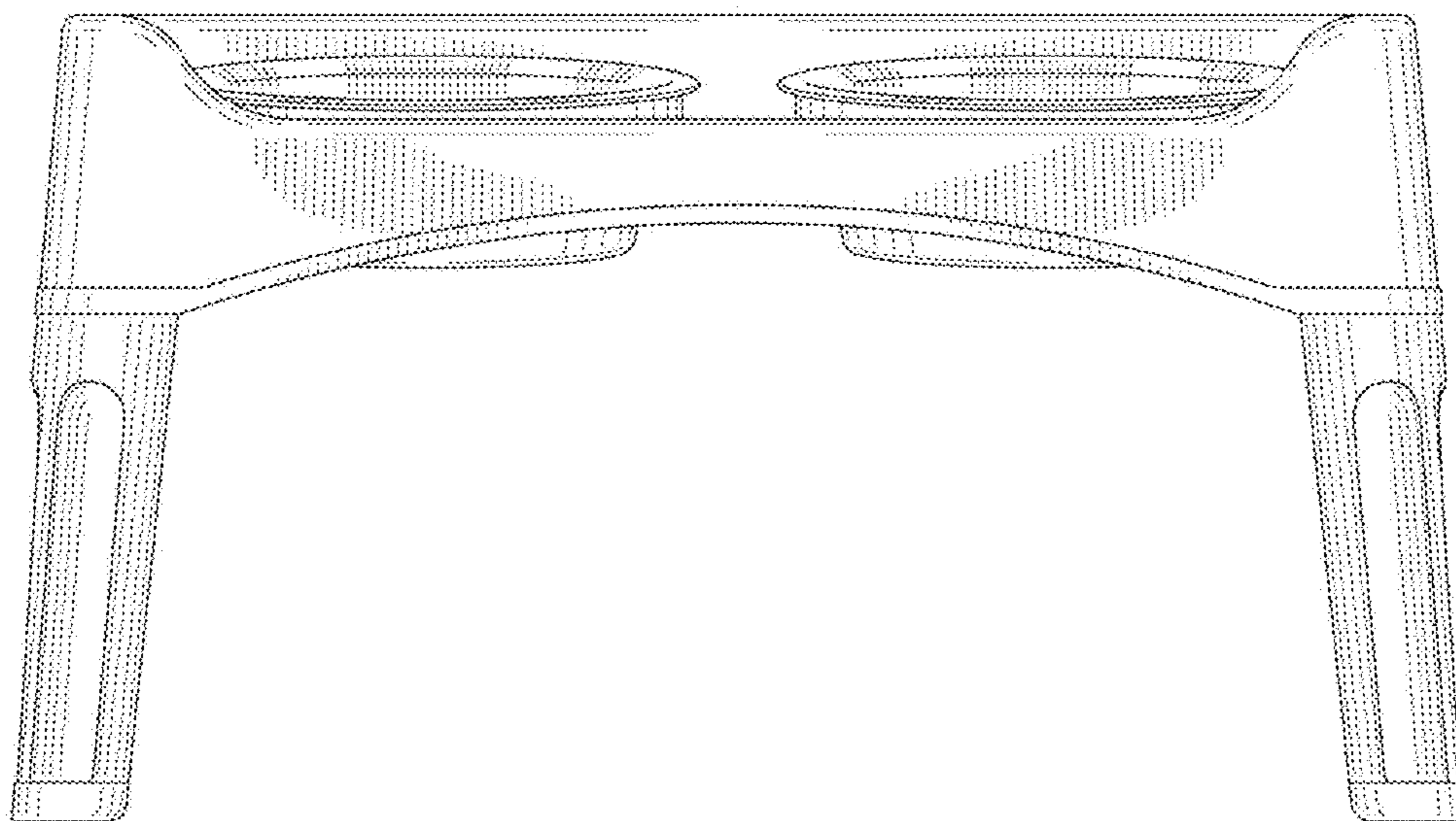


FIG. 2

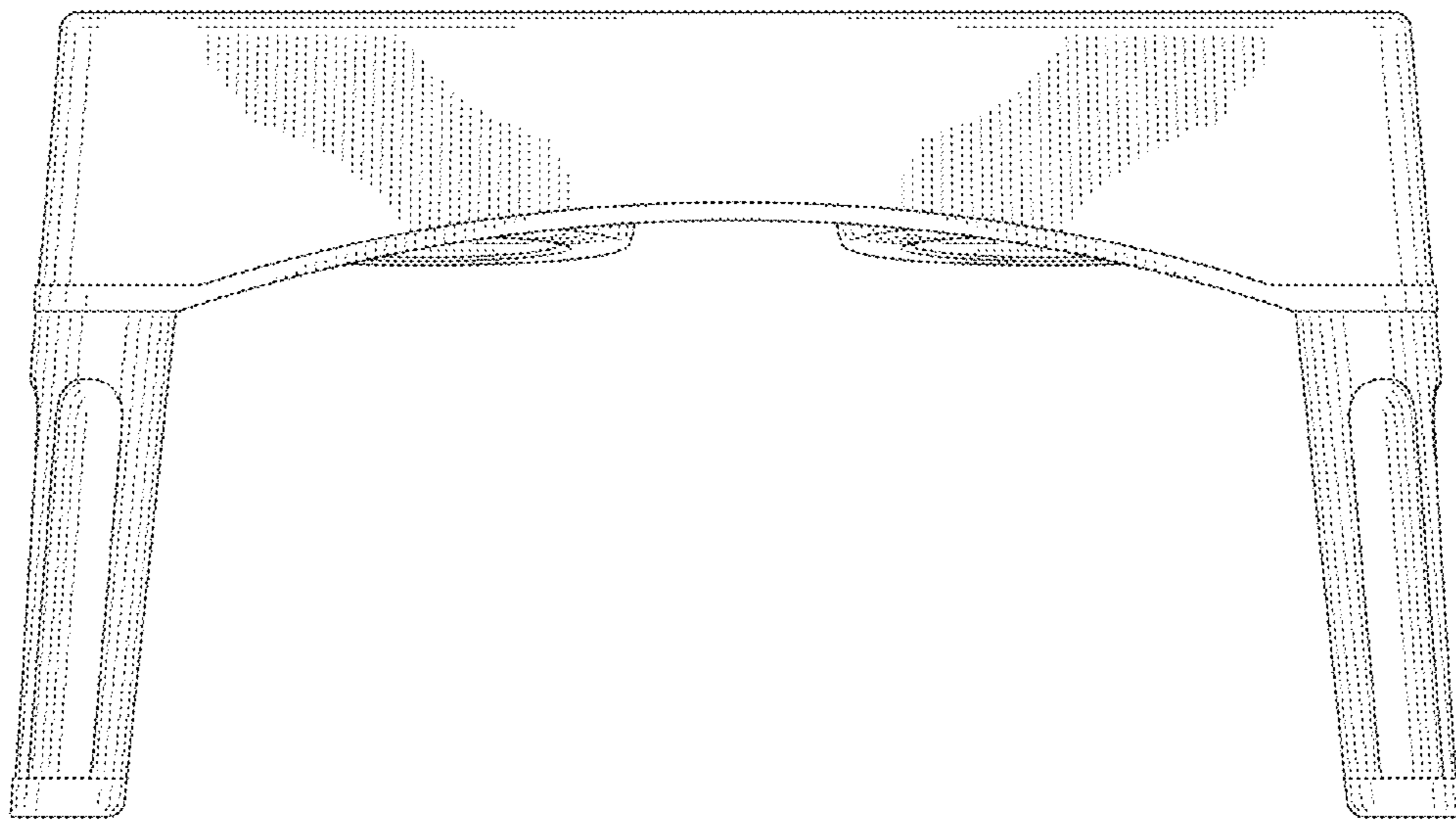


FIG. 3

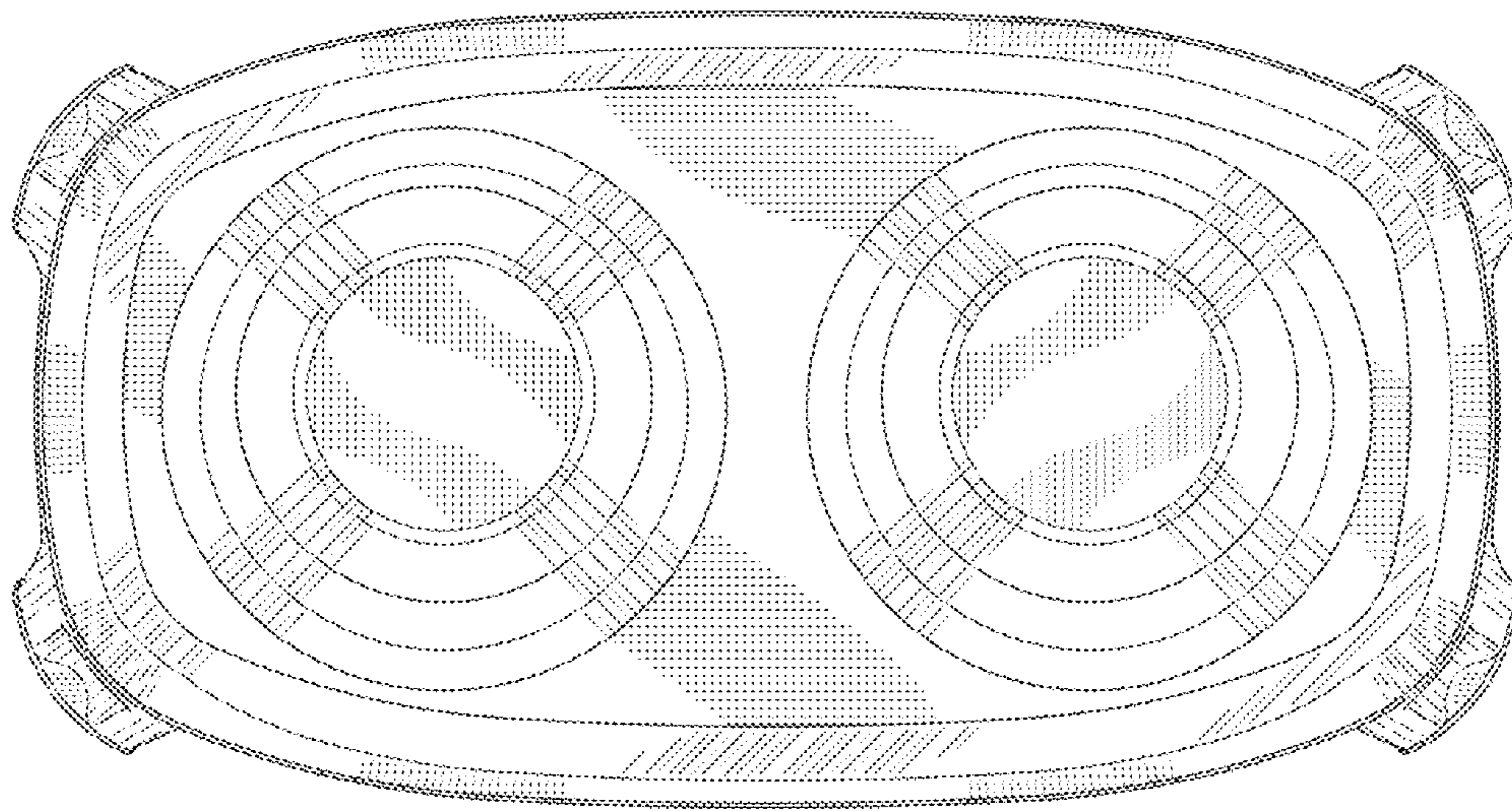


FIG. 4

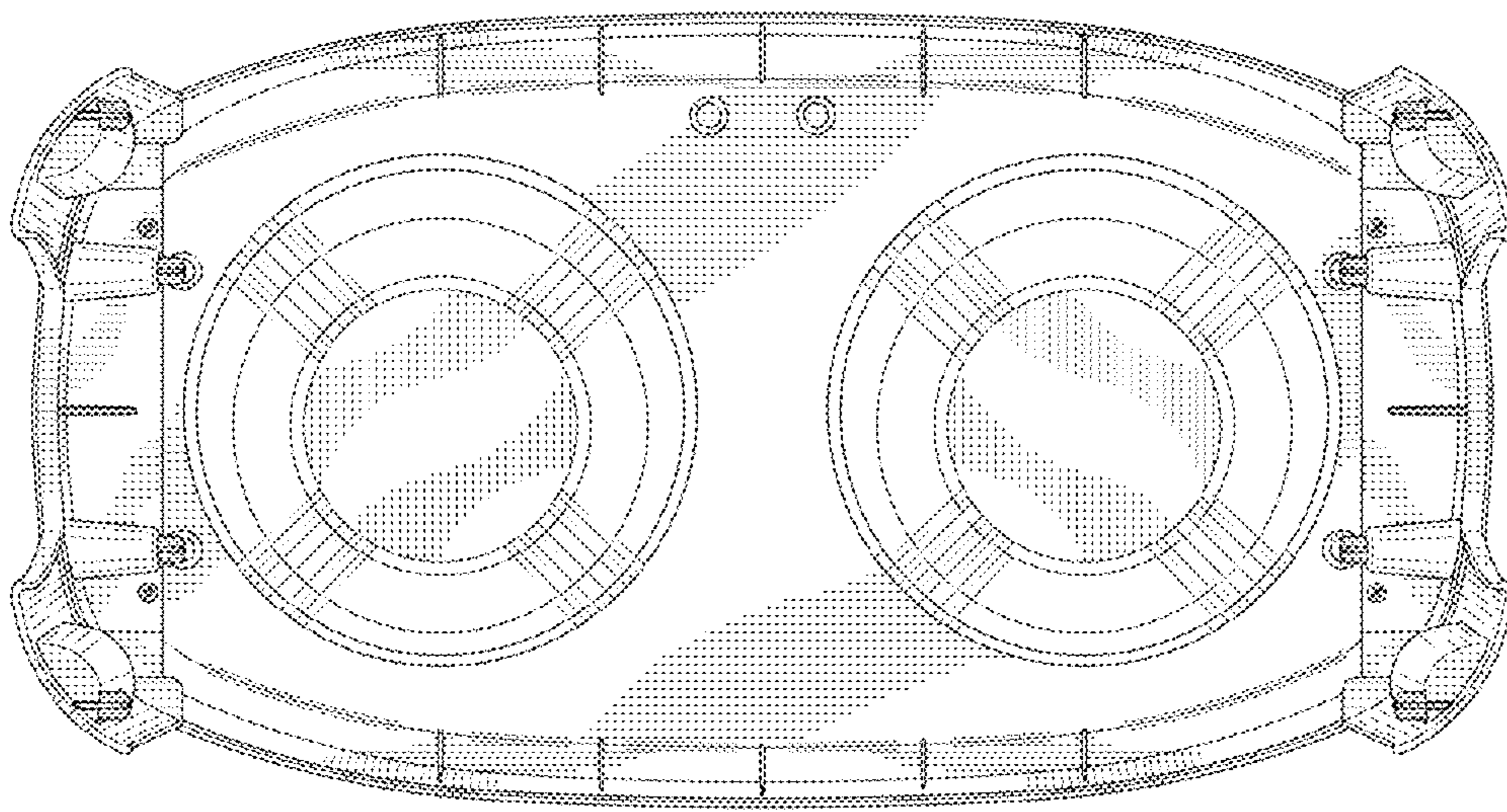


FIG. 5

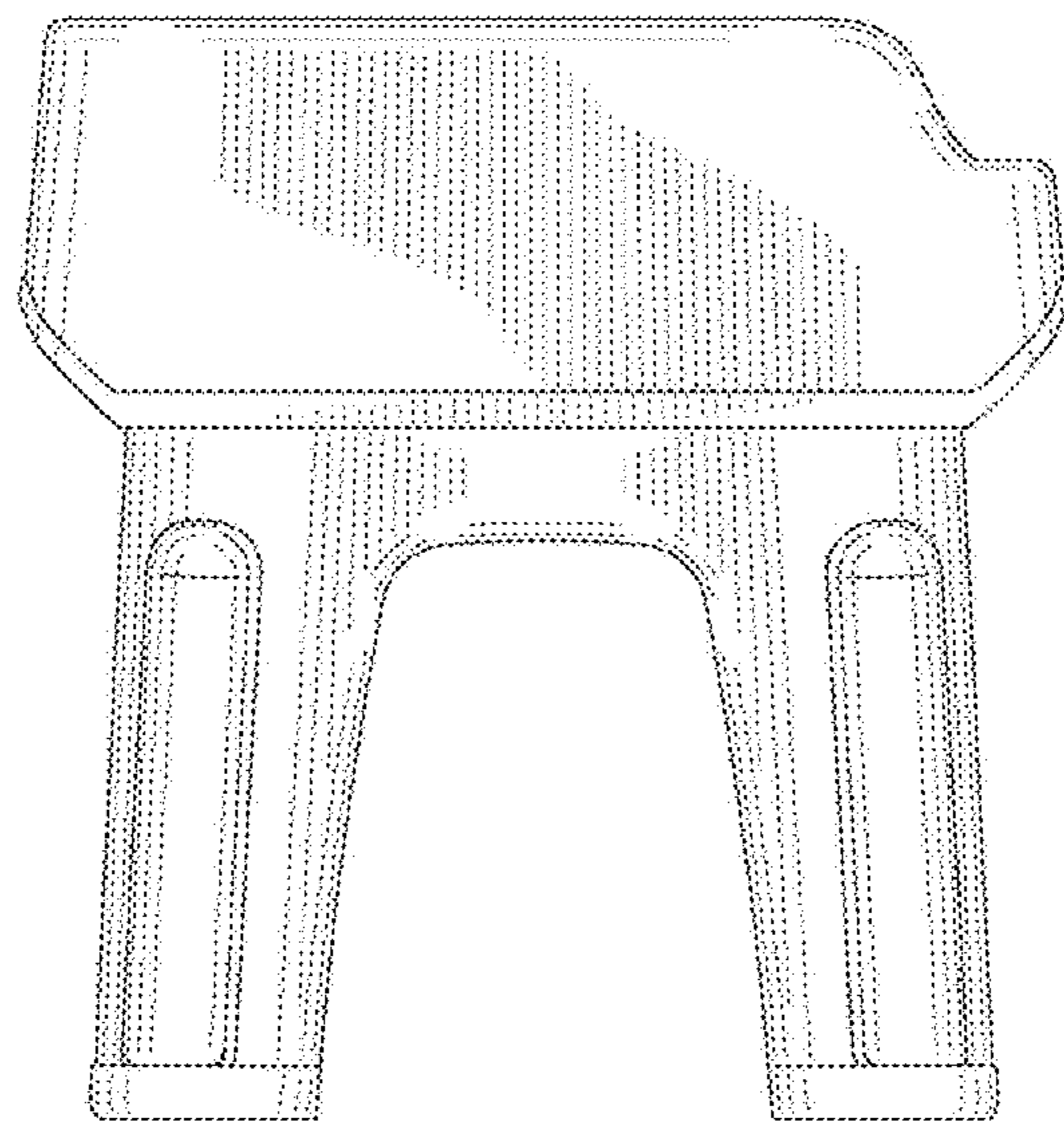


FIG. 6

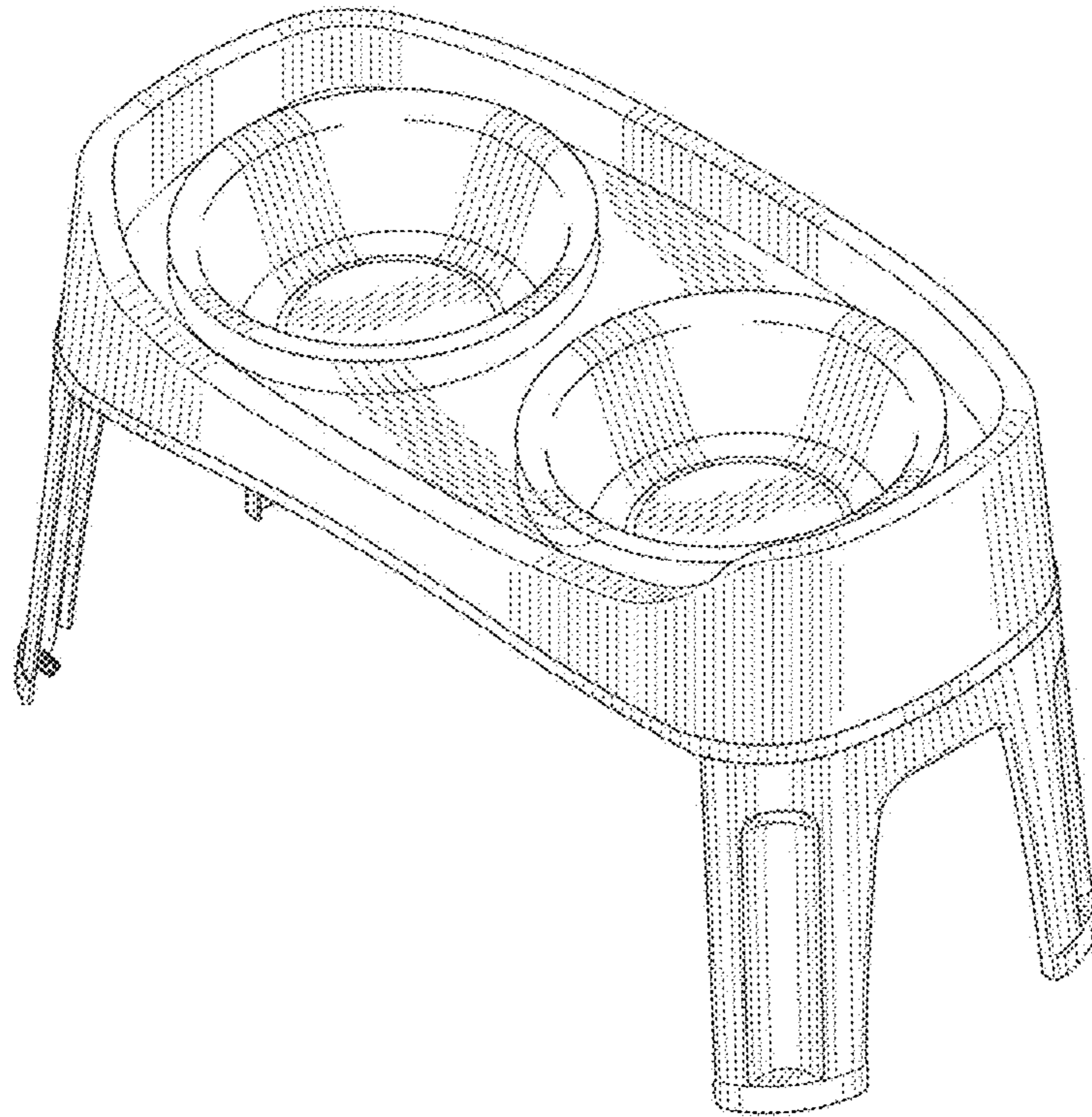




FIG. 7

