



US00D820534S

(12) **United States Design Patent**
Huang

(10) **Patent No.:** **US D820,534 S**

(45) **Date of Patent:** **** Jun. 12, 2018**

(54) **PET WATER FOUNTAIN**

(71) Applicant: **Junzhou Huang**, Guangdong (CN)

(72) Inventor: **Junzhou Huang**, Guangdong (CN)

(**) Term: **15 Years**

(21) Appl. No.: **29/607,750**

(22) Filed: **Jun. 16, 2017**

(51) **LOC (11) Cl.** **30-03**

(52) **U.S. Cl.**
USPC **D30/132**

(58) **Field of Classification Search**

USPC D30/123, 129, 132, 121; 119/69.5, 673, 119/57.8, 68, 74, 61.57, 78-81, 61.4, 119/57.9, 51.5, 61.5, 72, 475; 47/66.6, 47/39, 67, 83; 239/280, 200, 281, 280.5, 239/273, 16-32; 4/644, 627, 638; D7/558; D11/144, 145, 153; D99/5, 24; 27/1; D23/201, 292, 204, 205, 214-216; 248/127, 132, 137, 138, 158, 910; 215/10; D6/353, 352, 484, 360, 480, D6/488; 219/521; 329/442, 459; 99/452, 483; 40/406, 407; 261/29, 106, 261/73; 137/560, 563, 801; 55/385.2; 417/527, 313; 431/292-294, 289; 362/101; D26/6, 9
CPC ... A01K 7/00; A01K 7/02; A01K 7/06; A01K 7/04; A01K 7/005; A01K 7/022; A01K 7/025; A01K 7/027; A01K 5/0216; A01K 39/02; F04B 23/00; F04B 23/02; F04B 23/021; F04B 23/026; B05B 17/08; B05B 17/085; B01D 35/30; Y10T 137/86035; Y10T 137/8376; Y10T 137/85954-137/85978

See application file for complete search history.

(56) **References Cited**

U.S. PATENT DOCUMENTS

D42,061 S *	12/1911	Quebe	D30/132
D186,301 S *	10/1959	Hurwitz	D23/285
D208,762 S *	10/1967	Campi	D23/285
D221,755 S *	9/1971	Johnson	D23/201
D242,859 S *	12/1976	Gruber	D23/285
4,281,624 A *	8/1981	Raines	A01K 5/0225 119/52.1
4,717,051 A *	1/1988	Leclerc	B67D 3/02 141/364
D347,272 S *	5/1994	Reid	D23/292
D390,310 S *	2/1998	Fletcher	D23/201
D413,156 S *	8/1999	Robinson	D23/201
6,450,122 B1 *	9/2002	Frank	A01K 63/006 119/255
D587,529 S *	3/2009	Pratt	D7/553.8
8,127,716 B2 *	3/2012	Orozco Osorio ..	A01K 39/0213 119/72.5
D681,887 S *	5/2013	Fang	D30/132
D681,888 S *	5/2013	Fang	D30/132

(Continued)

Primary Examiner — Susan Moon Lee

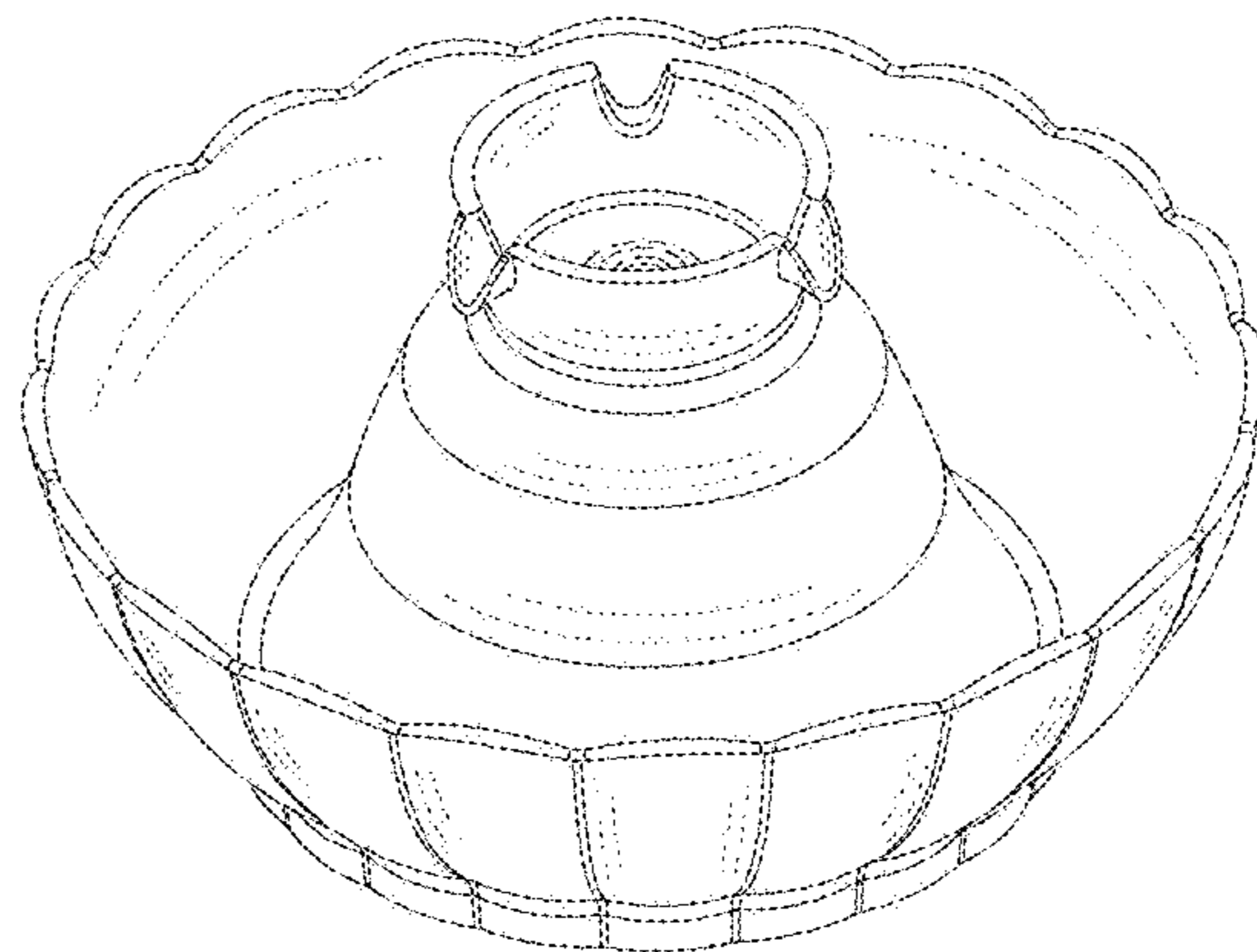
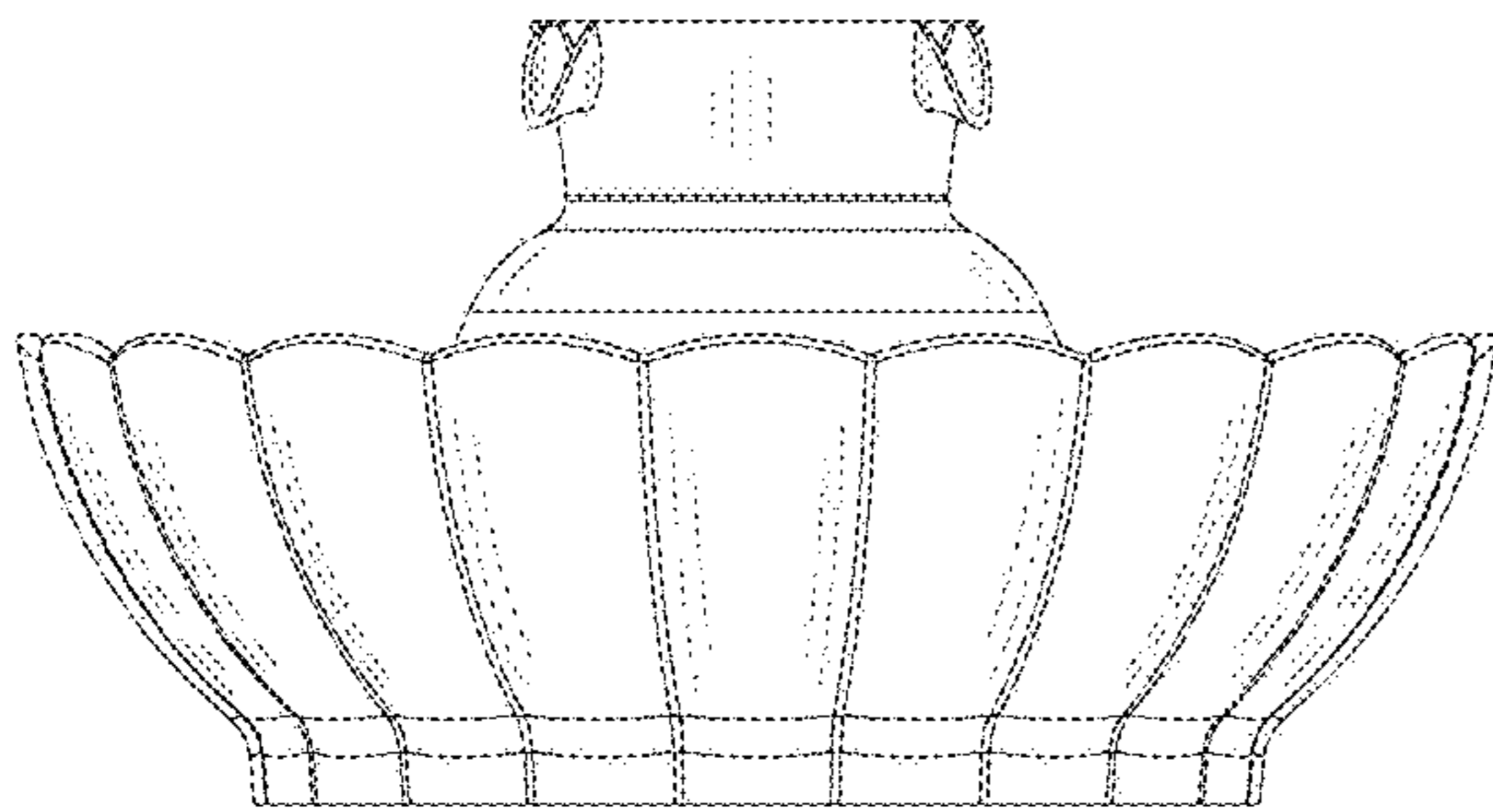
(57) **CLAIM**

The ornamental design for a pet water fountain, as shown and described.

DESCRIPTION

FIG. 1 is a front elevational view of a pet water fountain showing my new design;
FIG. 2 is a rear elevational view thereof;
FIG. 3 is a left side view thereof;
FIG. 4 is a right side view thereof;
FIG. 5 is a top plan view thereof;
FIG. 6 is a bottom plan view thereof;
FIG. 7 is a first perspective view thereof;
FIG. 8 is a second perspective view thereof; and,
FIG. 9 is a third perspective view thereof.
The broken lines in the drawings illustrate portions of the pet water fountain which form no part of the claimed design.

1 Claim, 9 Drawing Sheets



(56)

References Cited

U.S. PATENT DOCUMENTS

D694,477	S *	11/2013	Rowe	D30/132
D704,903	S *	5/2014	Fang	D30/132
D738,579	S *	9/2015	Owens	D30/132
D755,449	S *	5/2016	Cornwell, Jr.	D30/132
D764,117	S *	8/2016	Fang	D30/132
2004/0200359	A1 *	10/2004	Snider	A47J 27/04 99/446
2005/0129546	A1 *	6/2005	Lin	B05B 17/08 417/527
2010/0050950	A1 *	3/2010	Graves	A01K 7/005 119/81
2010/0102141	A1 *	4/2010	Landvik	B05B 17/08 239/17

* cited by examiner

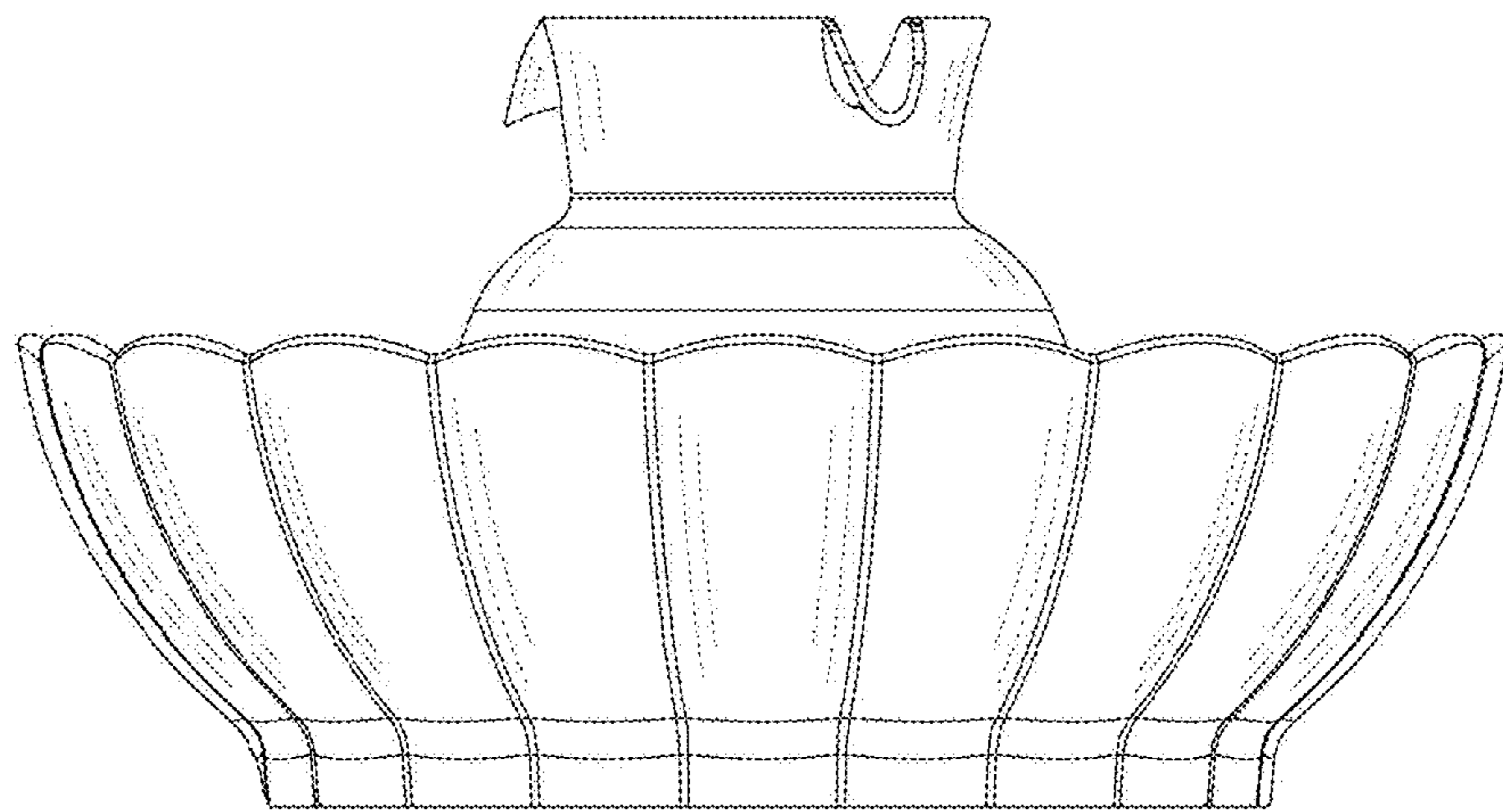


Fig.1

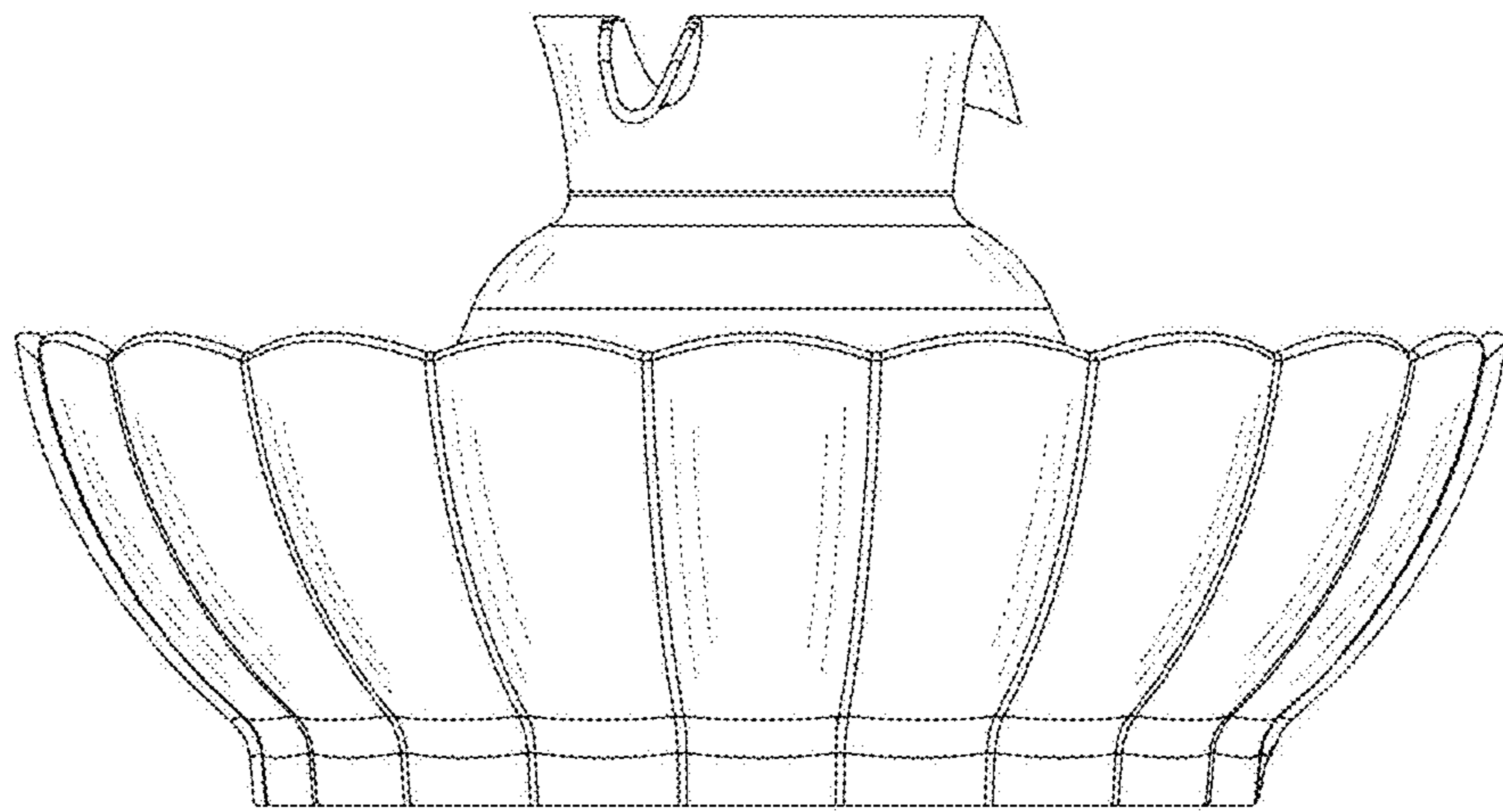


Fig.2

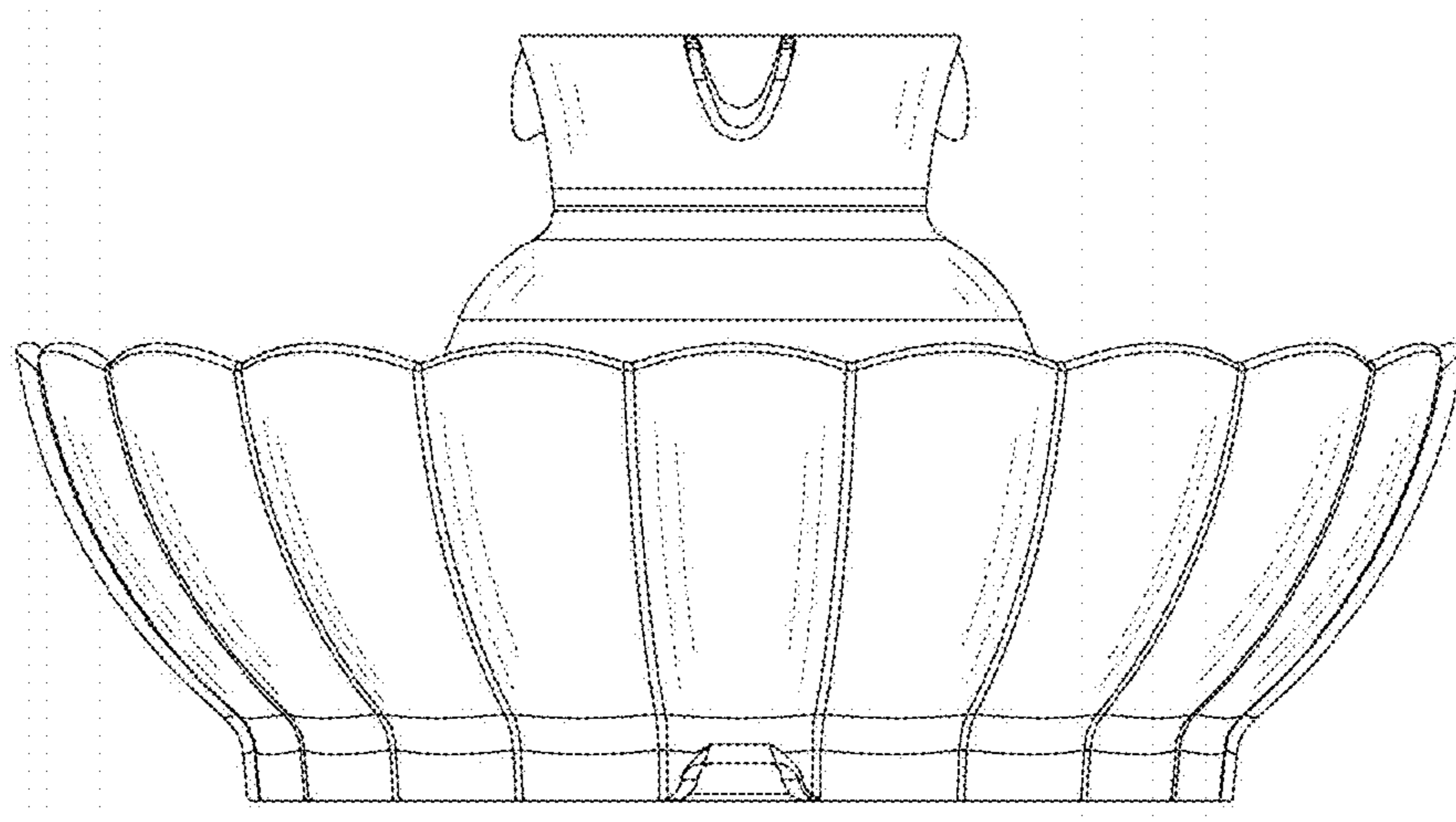


Fig.3

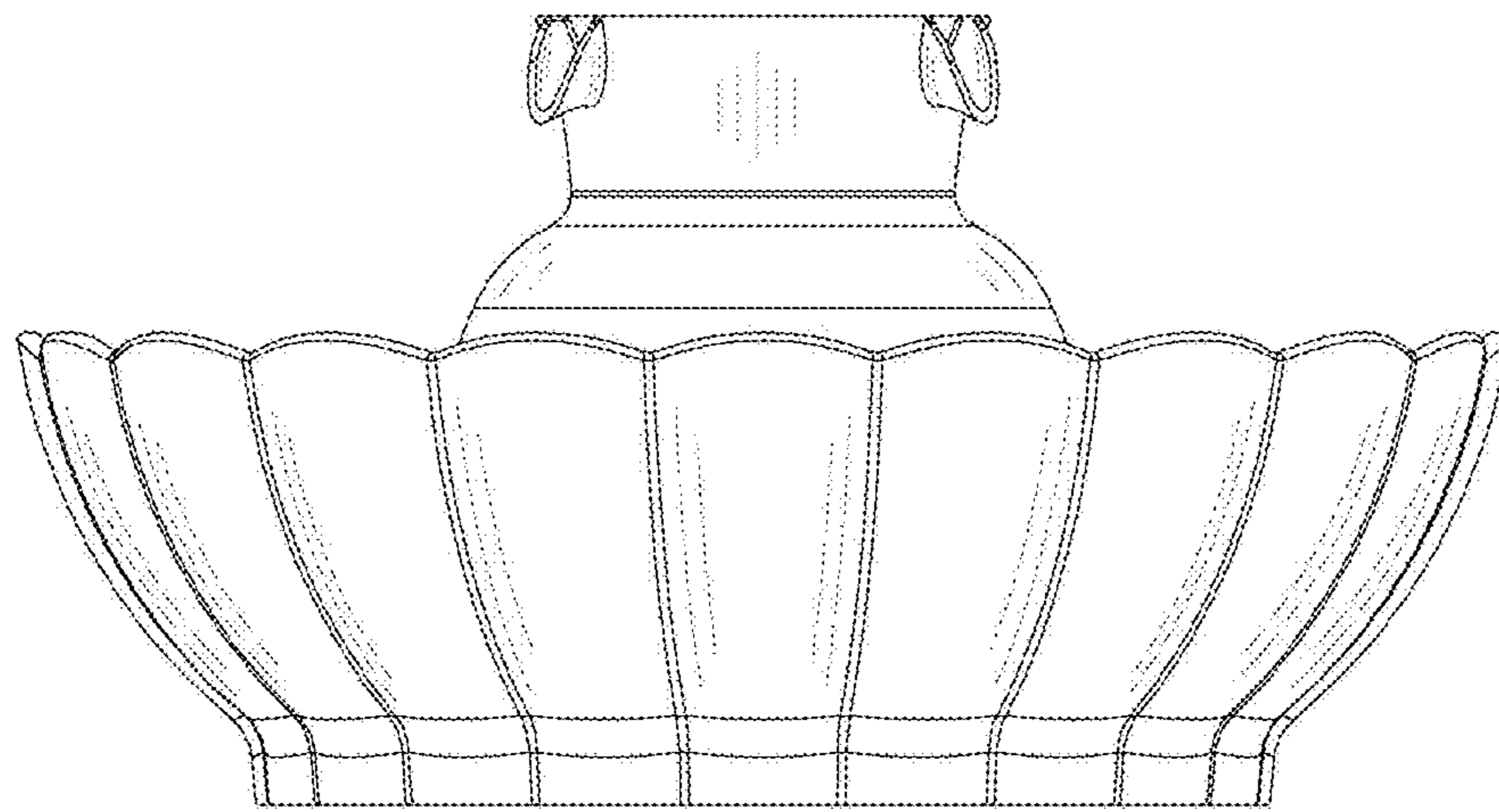


Fig.4

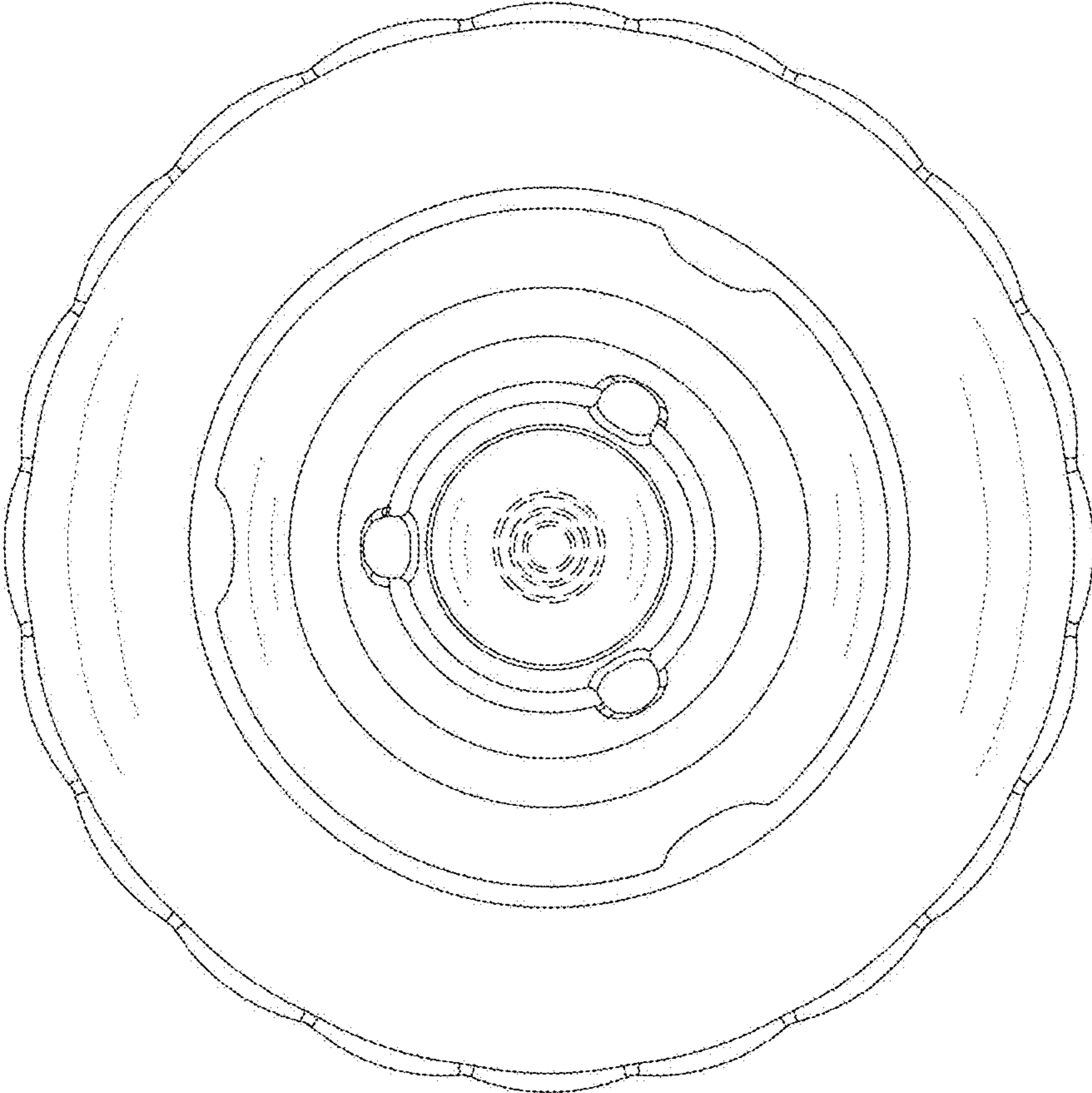


Fig.5

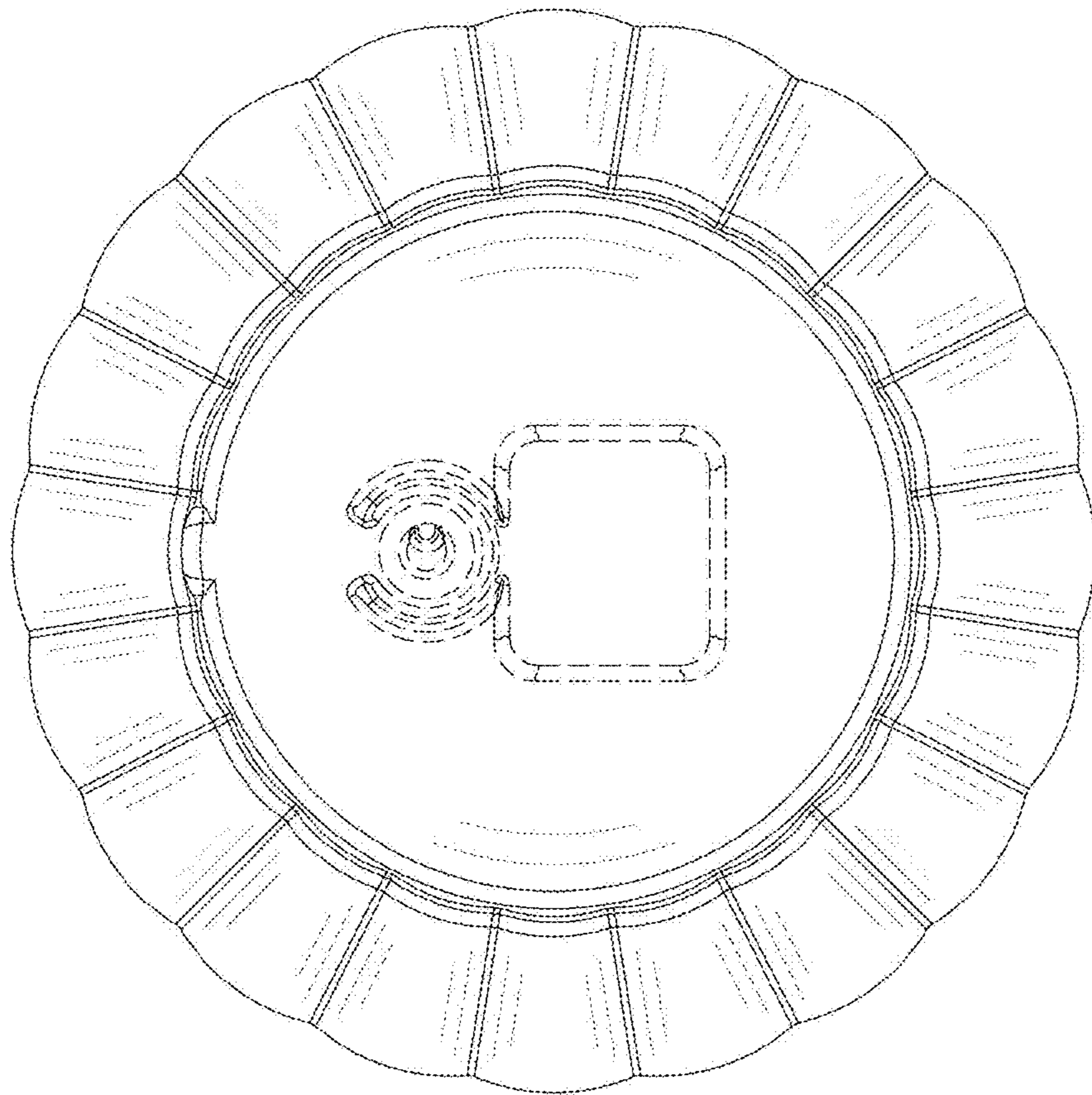


Fig.6

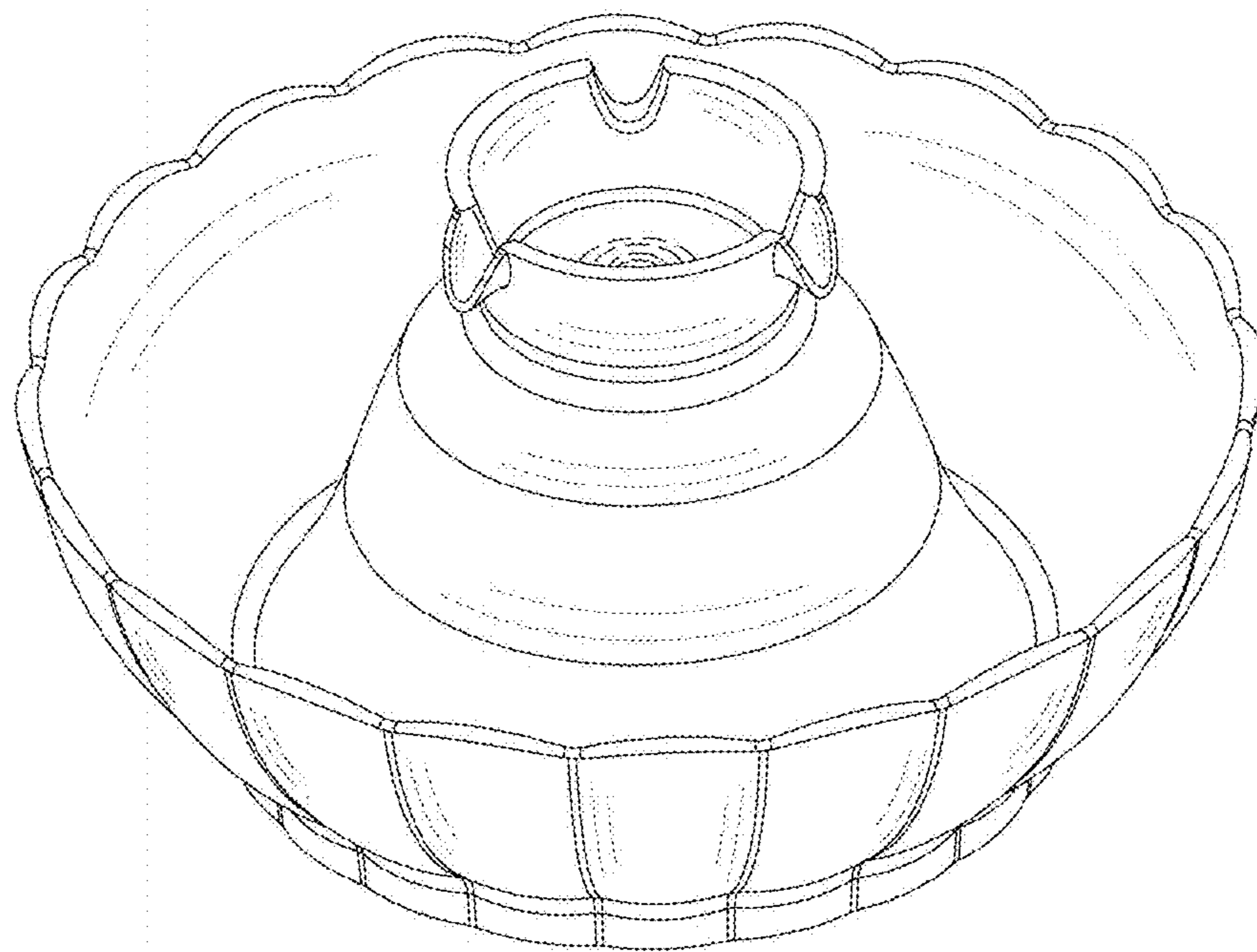


Fig.7

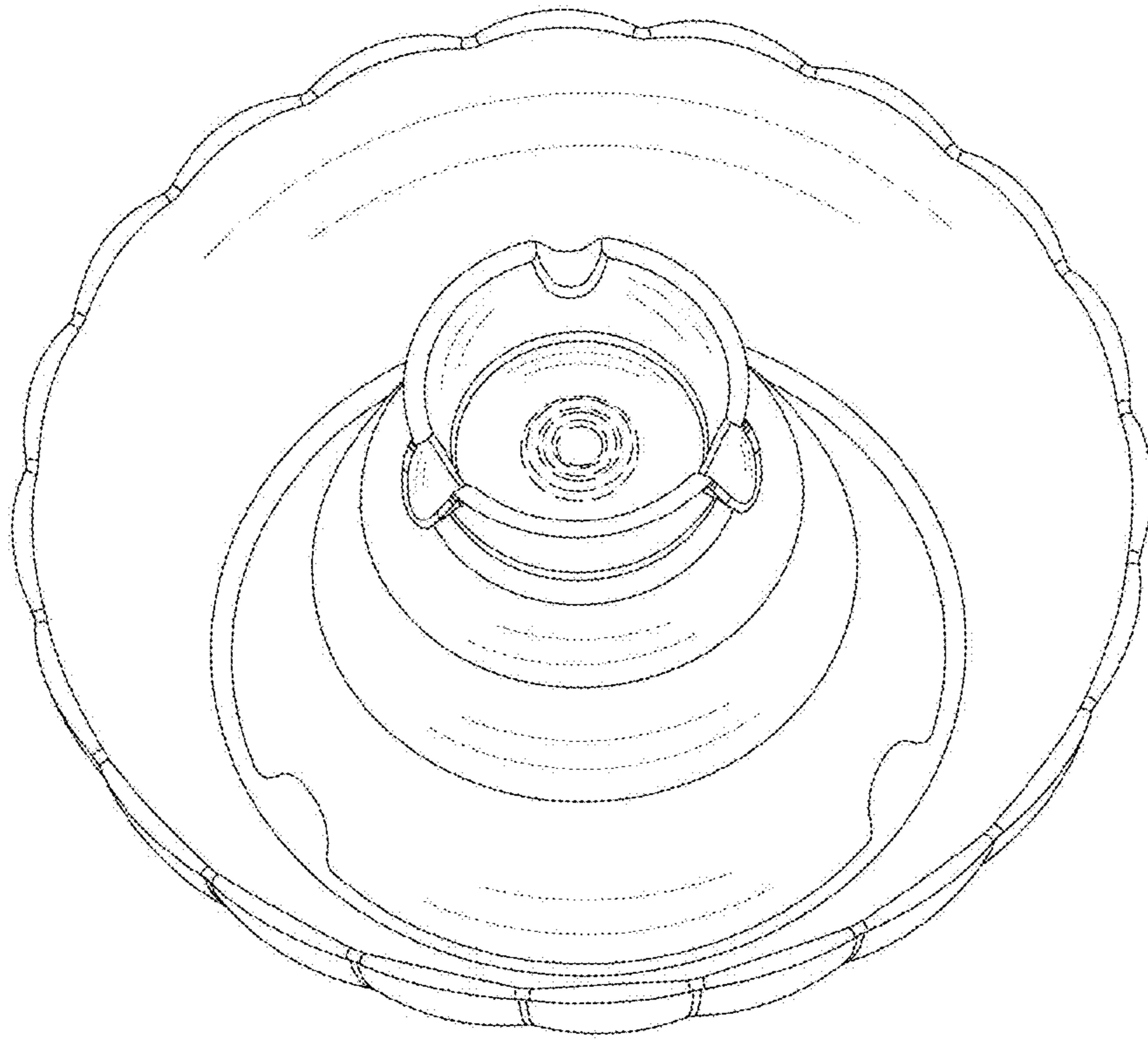


Fig.8

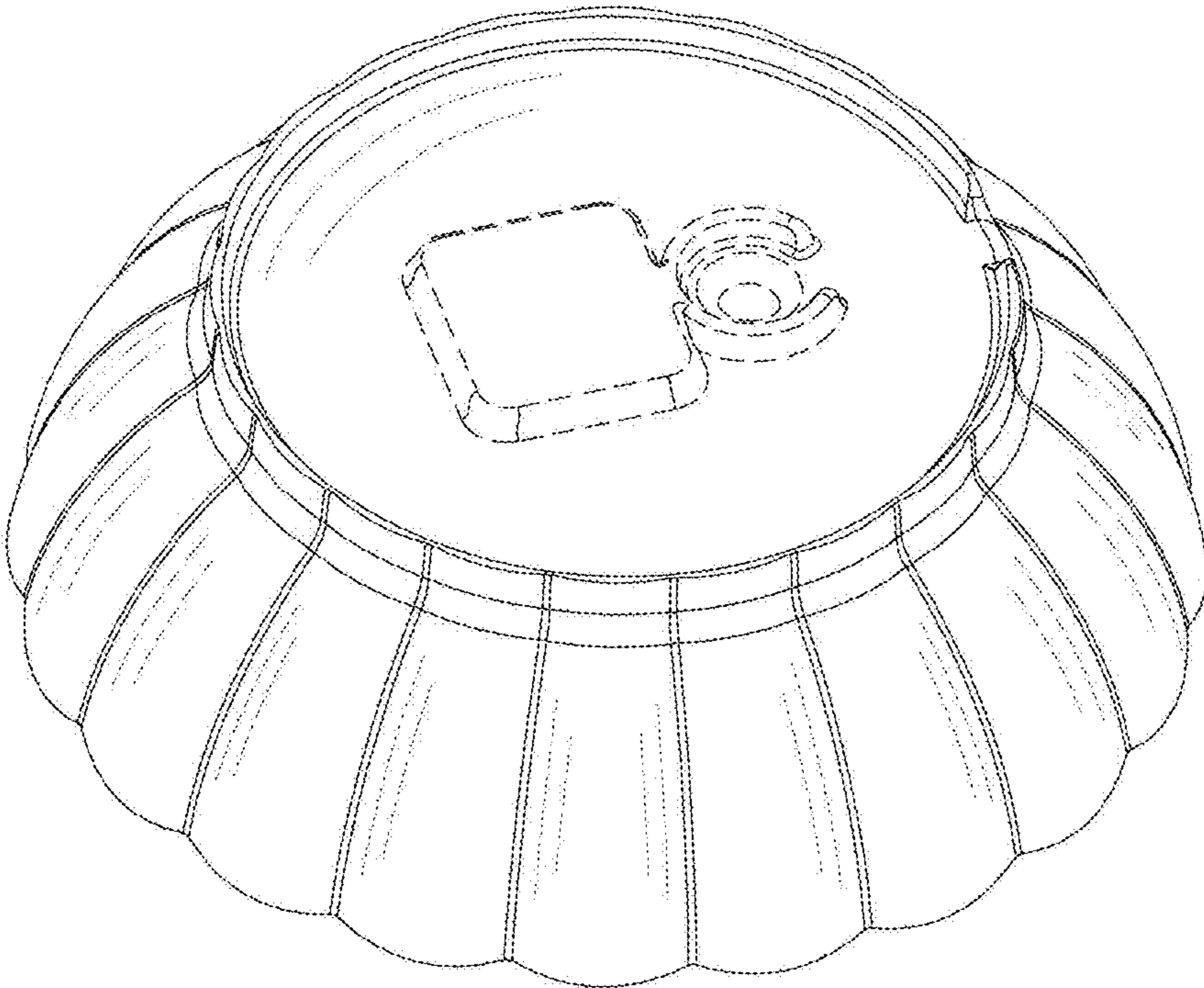


Fig.9