



US00D820533S

(12) **United States Design Patent**
Huang

(10) **Patent No.:** **US D820,533 S**
(45) **Date of Patent:** **** Jun. 12, 2018**

(54) **PET WATER FOUNTAIN**

Y10T 137/8376; Y10T
137/85954-137/85978

(71) Applicant: **Junzhou Huang**, Guangdong (CN)

See application file for complete search history.

(72) Inventor: **Junzhou Huang**, Guangdong (CN)

(56) **References Cited**

(**) Term: **15 Years**

U.S. PATENT DOCUMENTS

(21) Appl. No.: **29/590,771**

D153,334 S * 4/1949 Beaver D23/215
2,611,645 A * 9/1952 Forman B05B 3/00

(22) Filed: **Jan. 13, 2017**

D196,777 S * 11/1963 Haynes D27/133

(30) **Foreign Application Priority Data**

D206,214 S * 11/1966 Erbe D23/201

Aug. 16, 2016 (CN) 2016 3 0394687

D254,453 S * 3/1980 Strong D30/132

D255,920 S * 7/1980 Antonell D23/215

(Continued)

(51) **LOC (11) Cl.** **30-03**

Primary Examiner — Susan Moon Lee

(52) **U.S. Cl.**
USPC **D30/132**

(57) **CLAIM**

(58) **Field of Classification Search**

The ornamental design for a pet water fountain, as shown and described.

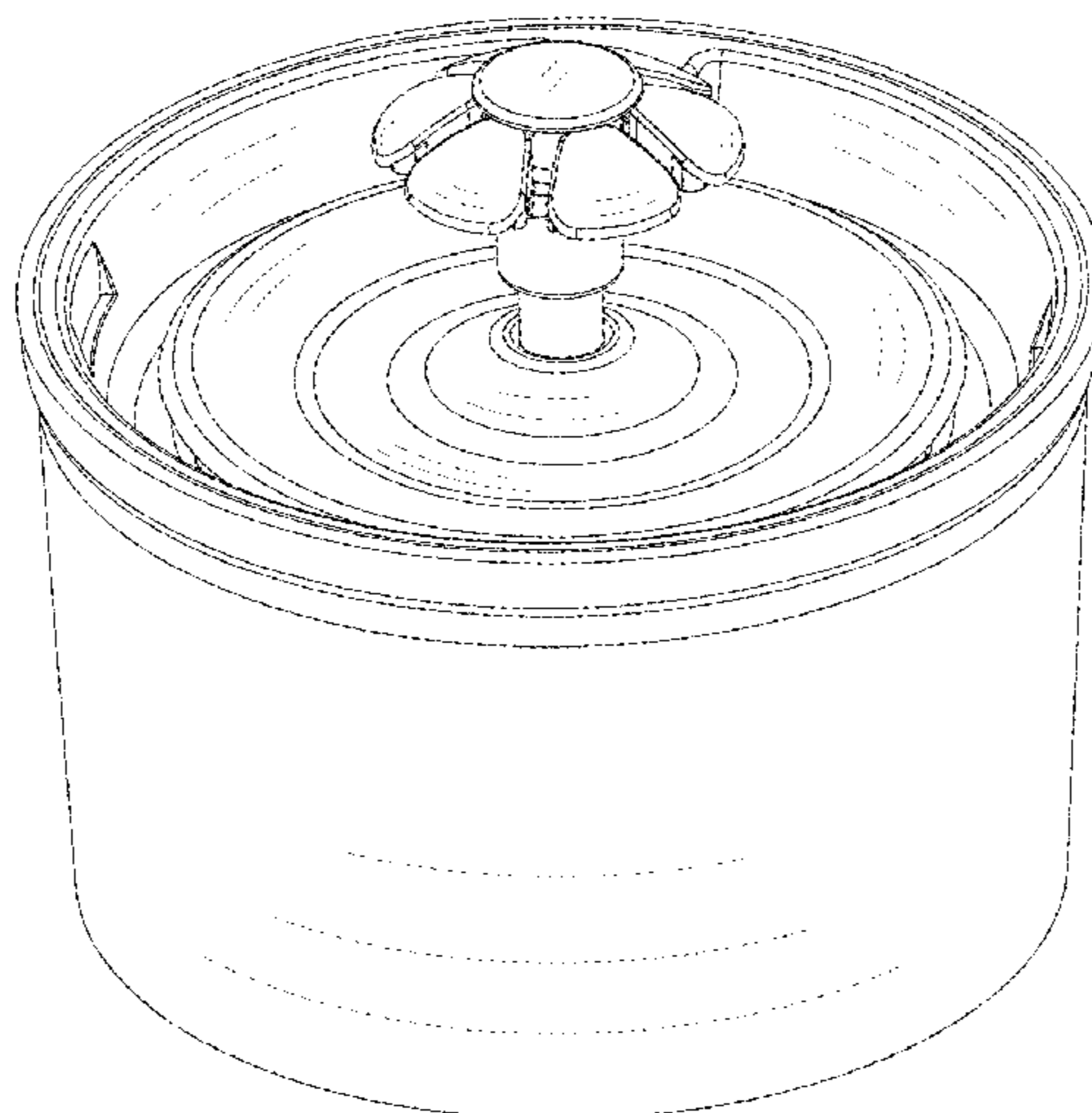
USPC D30/123, 129, 132, 121; 119/69.5, 673,
119/57.8, 68, 74, 61.57, 78-81, 61.4,
119/57.9, 51.5, 61.5, 72, 475; 47/66.6,
47/39, 67, 83; 239/280, 200, 281, 280.5,
239/273, 16-32, 211, 216, 288.5; 4/644,
4/627, 638; D7/558; D11/144, 145, 153;
D99/5, 24; 27/1; D23/201, 292, 204,
D23/205, 214-216, 221, 222, 228, 229,
D23/233, 200, 212, 213; 248/127, 132,
248/137, 138, 158, 910; 215/10;
D6/353, 352, 484, 360, 480, 488;
219/521; 329/442, 459; 99/452, 483;
40/406, 407; 261/29, 106, 73; 137/560,
137/563, 801; 55/385.2; 417/527, 313;
431/292-294, 289; 362/101; D26/6, 9;
D32/75; D8/1

CPC ... A01K 7/00; A01K 7/02; A01K 7/06; A01K
7/04; A01K 7/005; A01K 7/022; A01K
7/025; A01K 7/027; A01K 5/0216; A01K
39/02; F04B 23/00; F04B 23/02; F04B
23/021; F04B 23/026; B05B 17/08; B05B
17/085; B01D 35/30; Y10T 137/86035;

DESCRIPTION

FIG. 1 is a front elevational view of a pet water fountain showing my new design;
FIG. 2 is a rear elevational view thereof;
FIG. 3 is a left side view thereof;
FIG. 4 is a right side view thereof;
FIG. 5 is a top plan view thereof;
FIG. 6 is a bottom plan view thereof;
FIG. 7 is a first perspective view thereof;
FIG. 8 is a second perspective view thereof;
FIG. 9 is a third perspective view thereof;
FIG. 10 is a first perspective view of portion A of FIG. 9;
FIG. 11 is a second perspective view of portion A of FIG. 9;
and,
FIG. 12 is a third perspective view of portion A of FIG. 9.
The broken lines in the drawings illustrate portions of the pet water fountain which form no part of the claimed design.

1 Claim, 12 Drawing Sheets



(56)

References Cited

U.S. PATENT DOCUMENTS

4,286,546 A * 9/1981 Moore A01K 7/005
119/61.54
D285,498 S * 9/1986 Thibault D30/132
D315,193 S * 3/1991 Lach D23/213
5,050,801 A * 9/1991 Ferrari B05B 3/00
239/211
D394,468 S * 5/1998 Leadbetter D21/496
5,806,460 A * 9/1998 Klein A01K 39/00
119/72
5,823,431 A * 10/1998 Pierce B05B 17/08
239/19
5,862,984 A * 1/1999 Chang B05B 17/08
239/16
D413,156 S * 8/1999 Robinson D23/201
5,931,382 A * 8/1999 Gross B01F 3/0473
239/17
6,390,323 B1 * 5/2002 Alticosalian A01K 5/0128
220/495.03
D461,523 S * 8/2002 Chen D23/214
6,499,430 B2 * 12/2002 Garcia-Lucio A01K 7/00
119/72
D472,604 S * 4/2003 Fritze D23/209

D475,116 S * 5/2003 Chan D23/201
6,592,053 B2 * 7/2003 Ericksen B05B 17/08
239/16
D506,527 S * 6/2005 Chang D23/217
6,981,652 B2 * 1/2006 Lin B05B 17/08
239/16
7,007,634 B1 * 3/2006 Pederson A01K 7/04
119/78
D576,249 S * 9/2008 Camacho D23/201
D591,863 S * 5/2009 Holtsnider D24/201
D631,128 S * 1/2011 Laporta D23/201
D674,464 S * 1/2013 Wilder D23/209
D682,481 S * 5/2013 Krueger D30/124
D698,097 S * 1/2014 Muhr D30/124
D802,714 S * 11/2017 Williamson D23/213
D813,980 S * 3/2018 Krombein D23/213
2006/0174838 A1 * 8/2006 Plante A01K 7/02
119/74
2008/0087225 A1 * 4/2008 Lin A01K 39/02
119/72
2013/0174790 A1 * 7/2013 Lipscomb A01K 7/02
119/74
2013/0291802 A1 * 11/2013 Carpentieri A01K 7/00
119/72

* cited by examiner

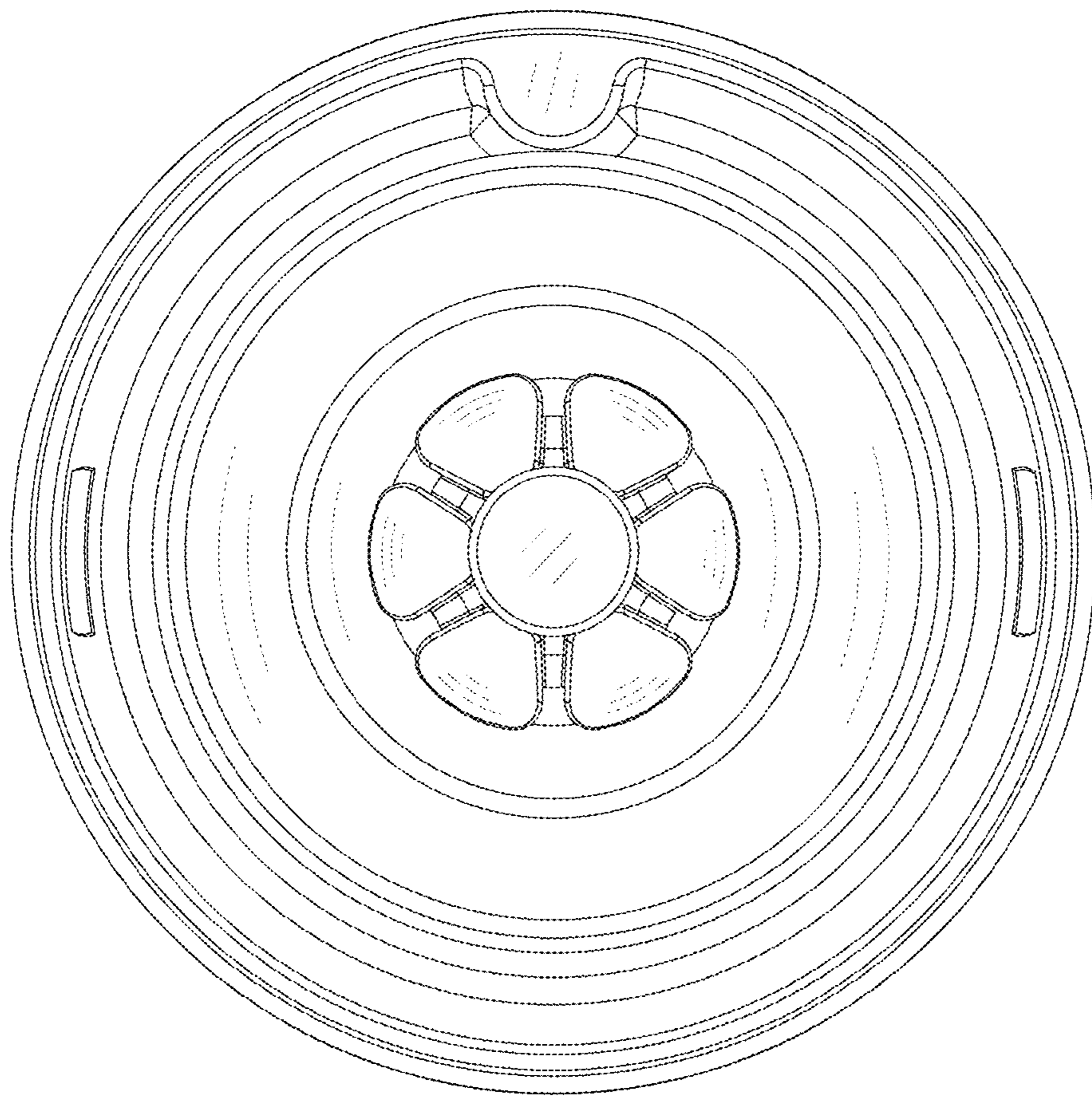


Fig. 1

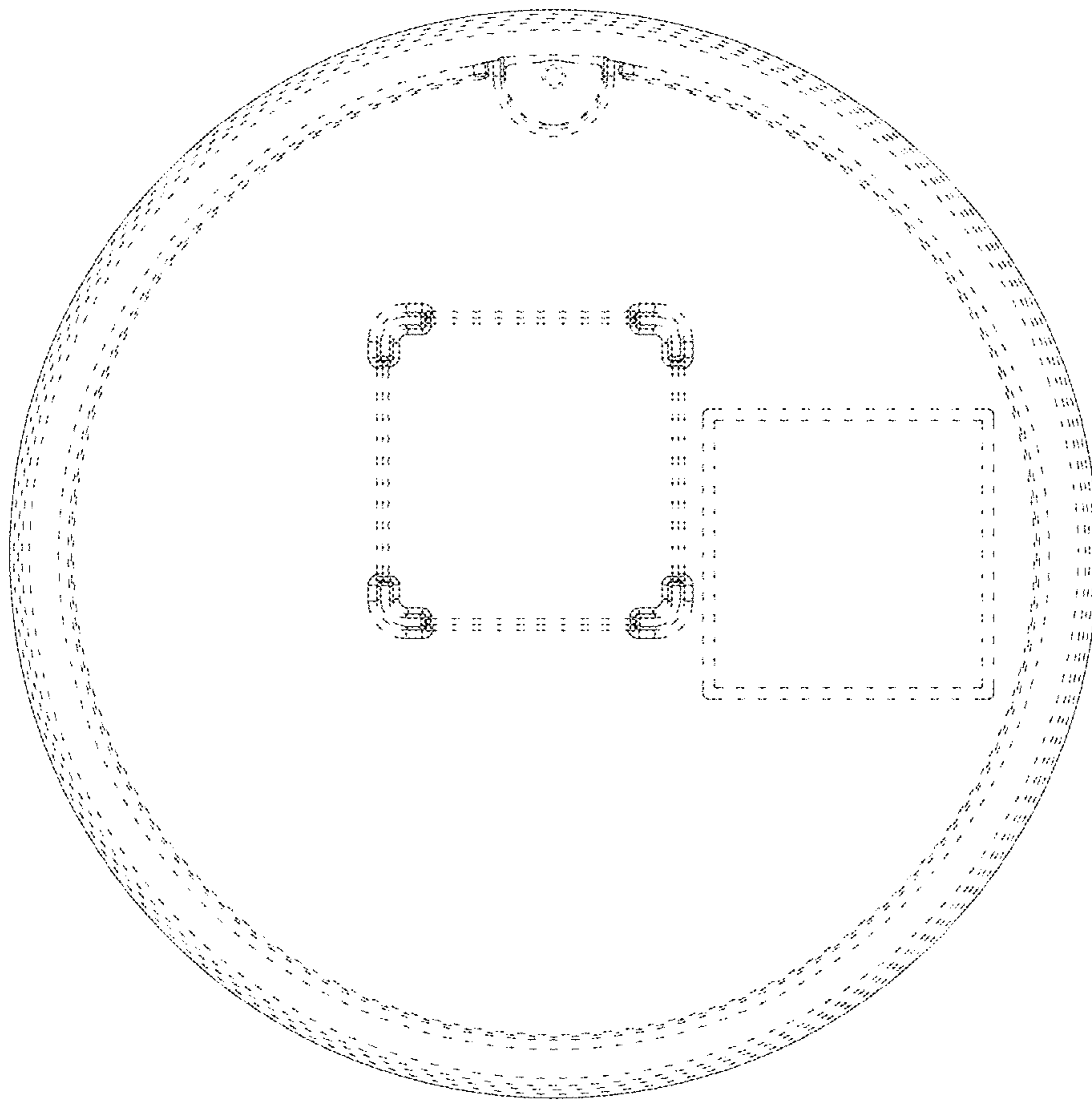


Fig. 2

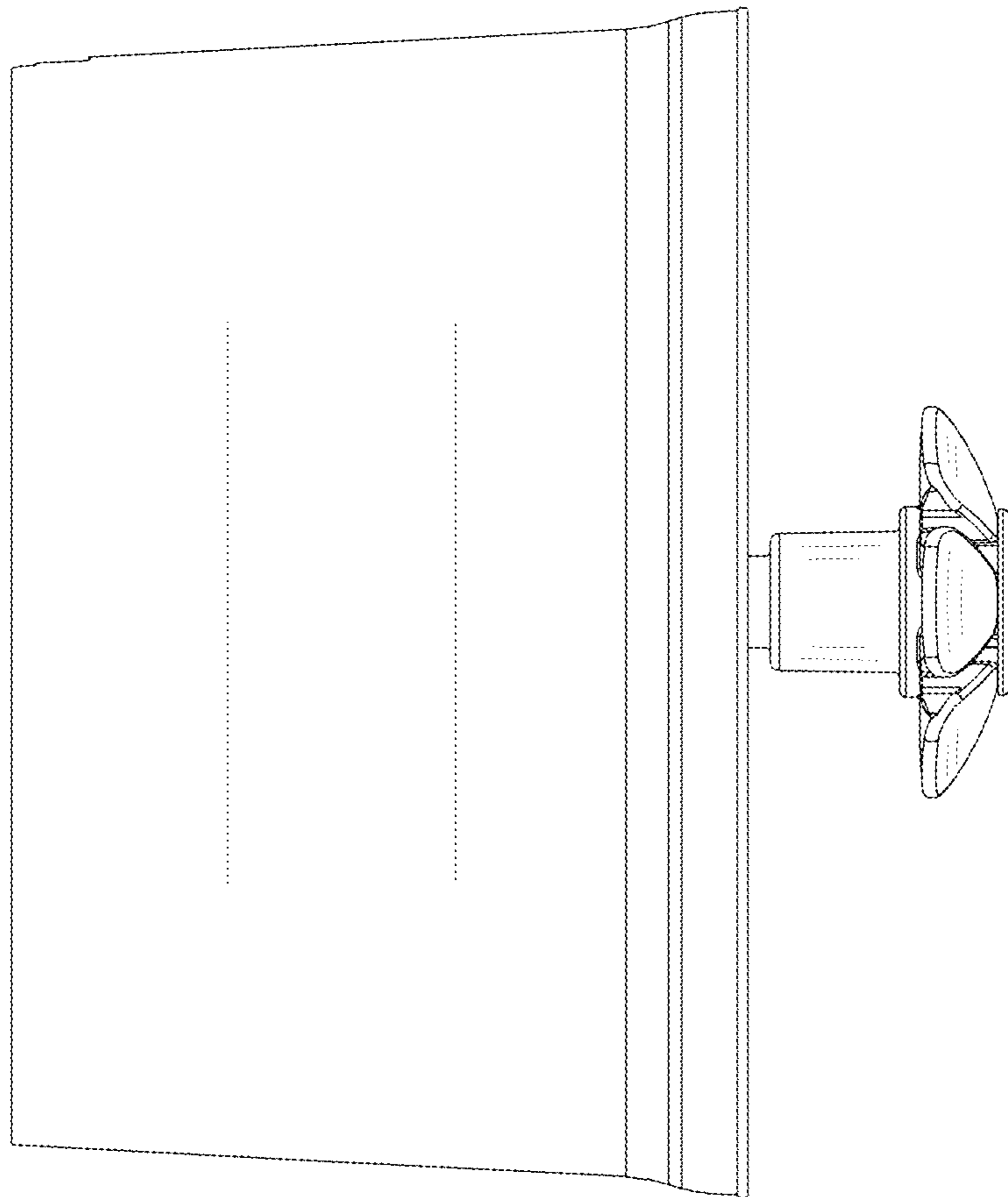


Fig. 3

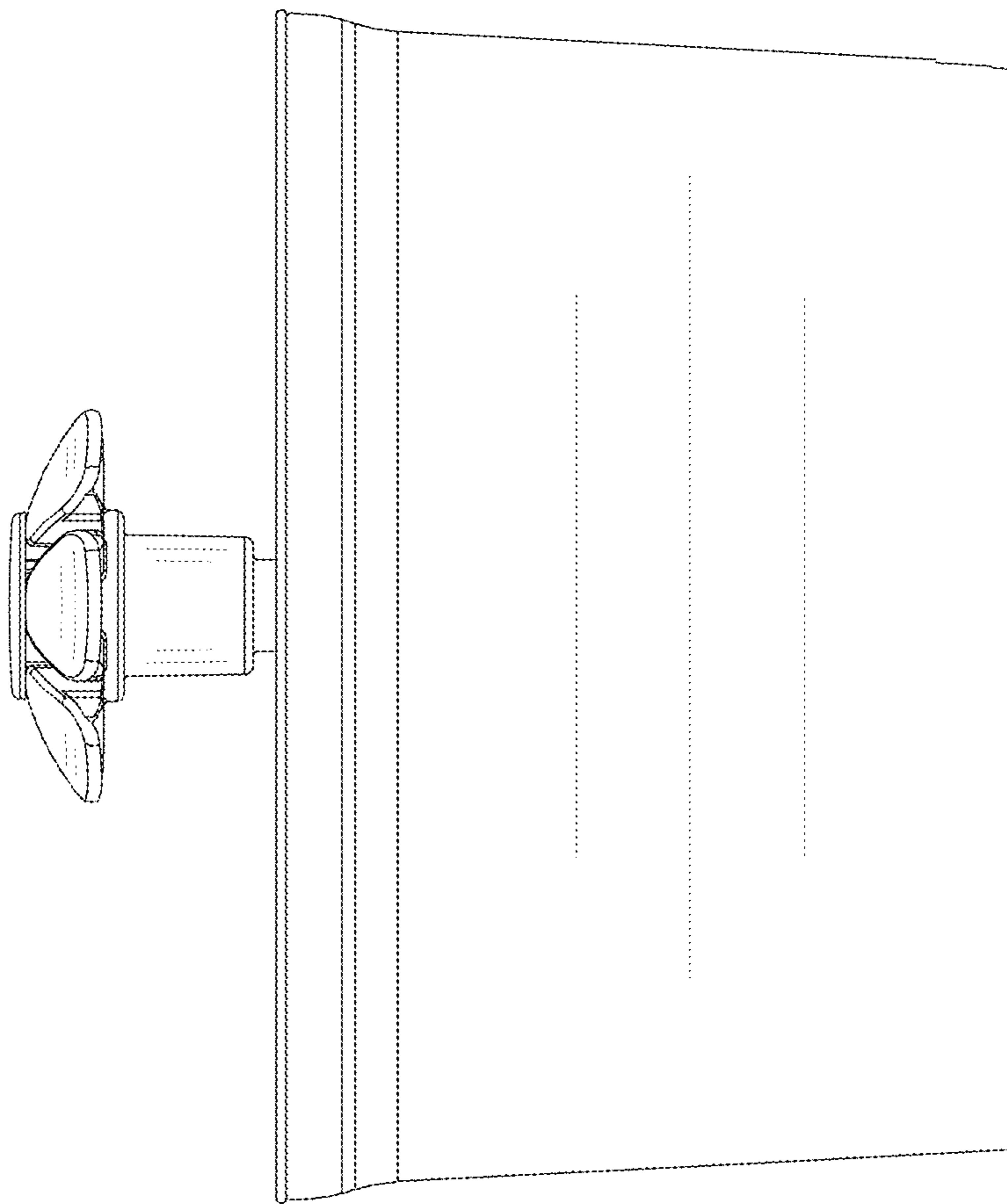


Fig. 4

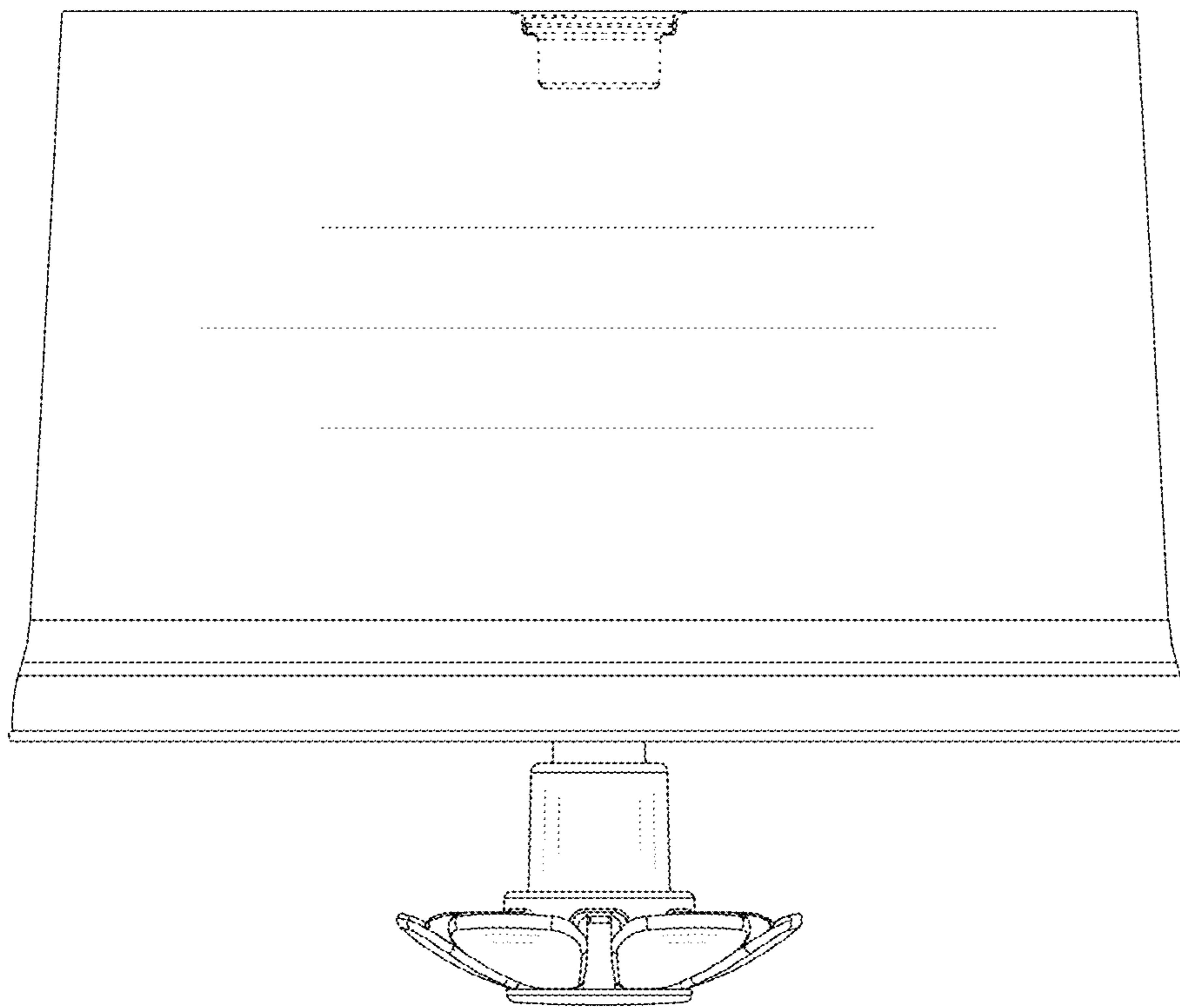


Fig. 5

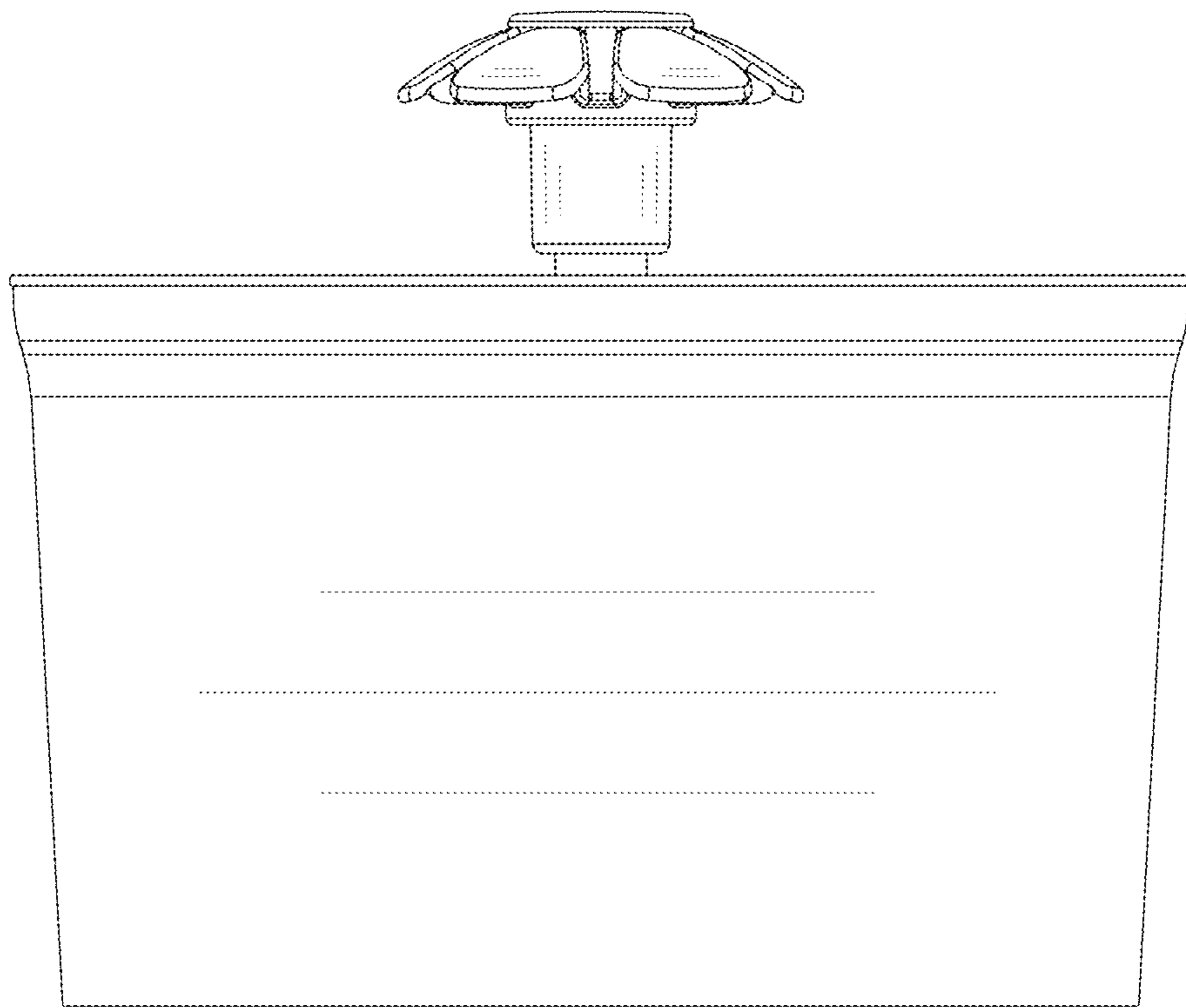


Fig. 6

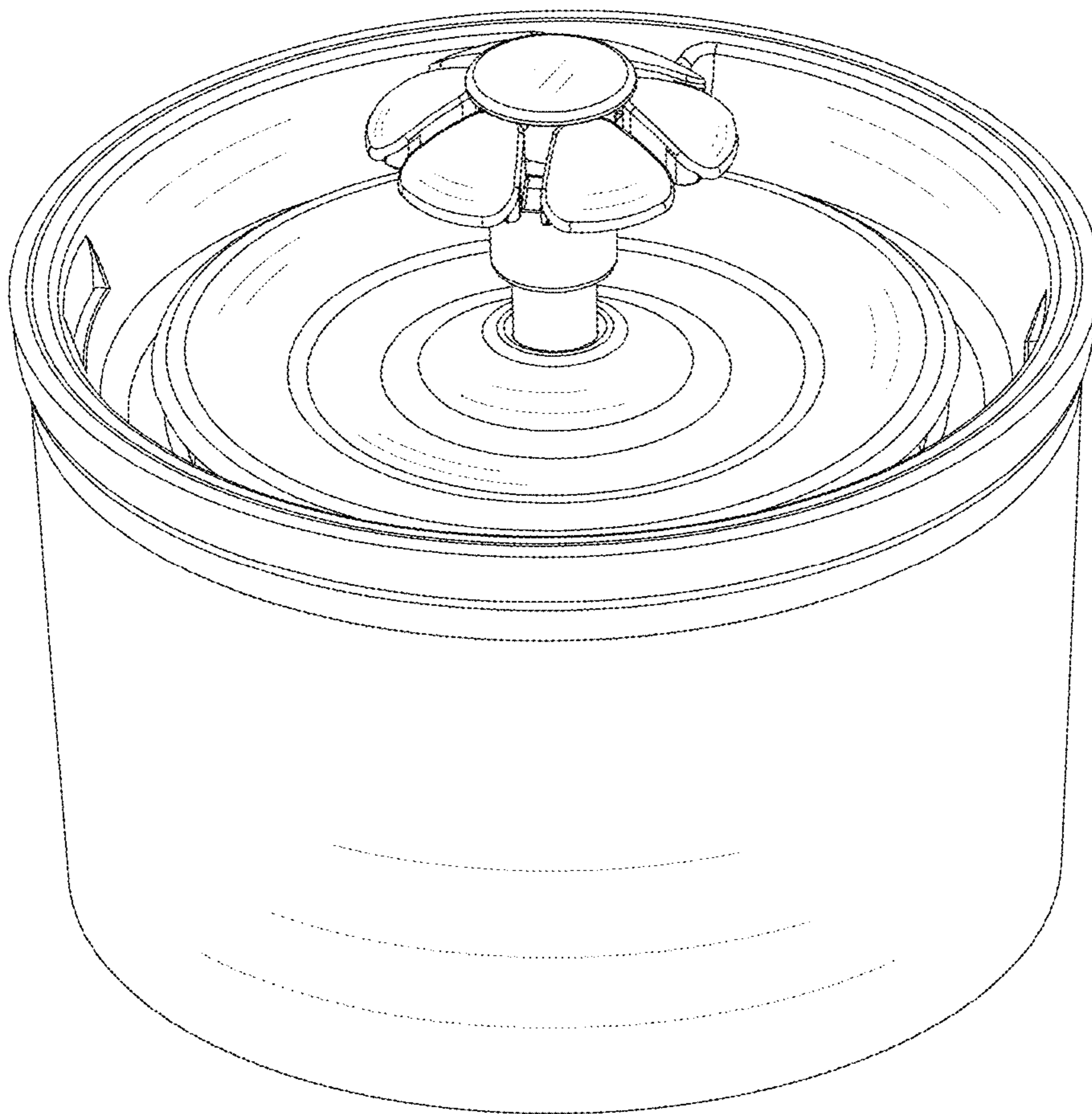


Fig. 7

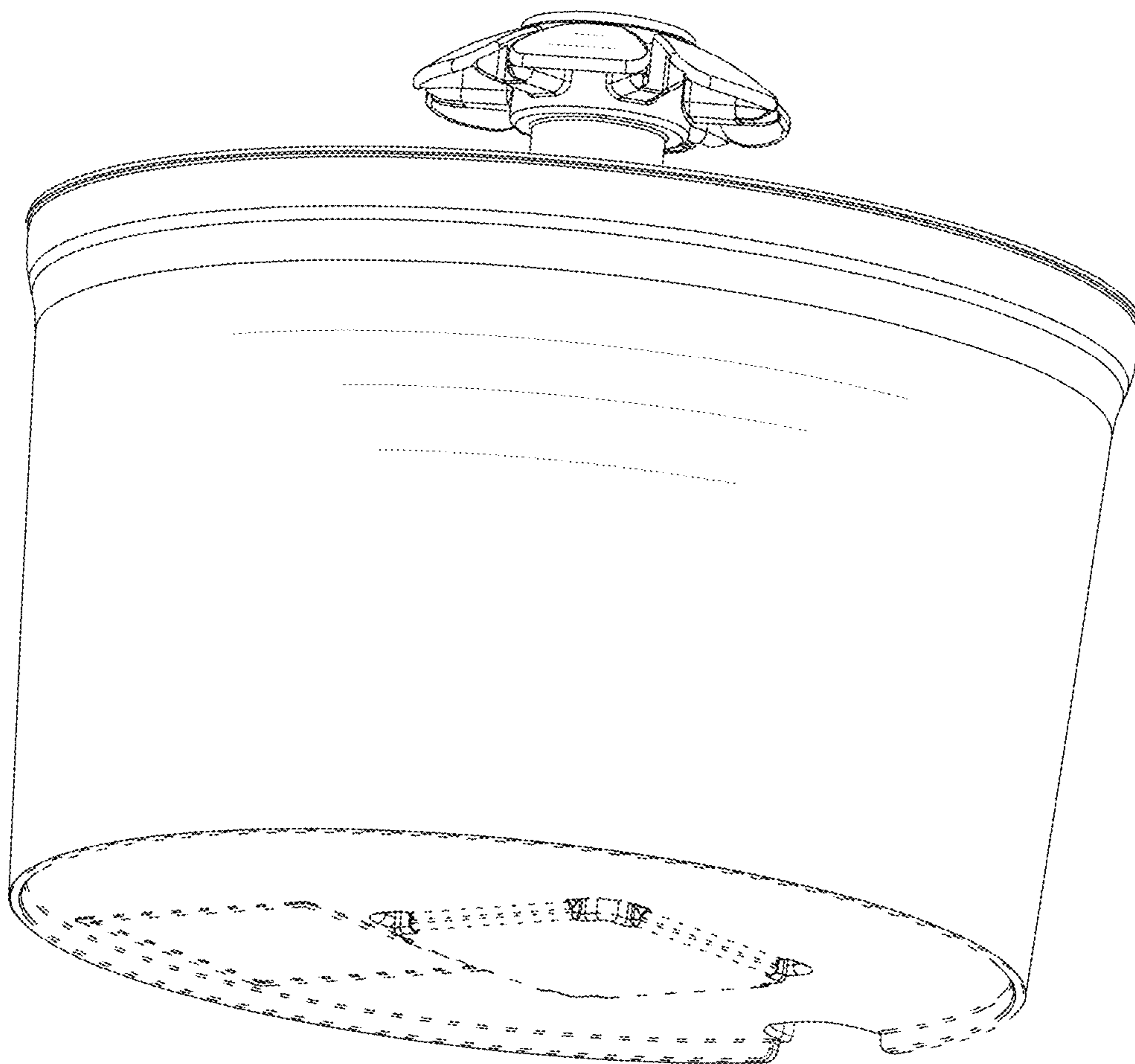


Fig. 8

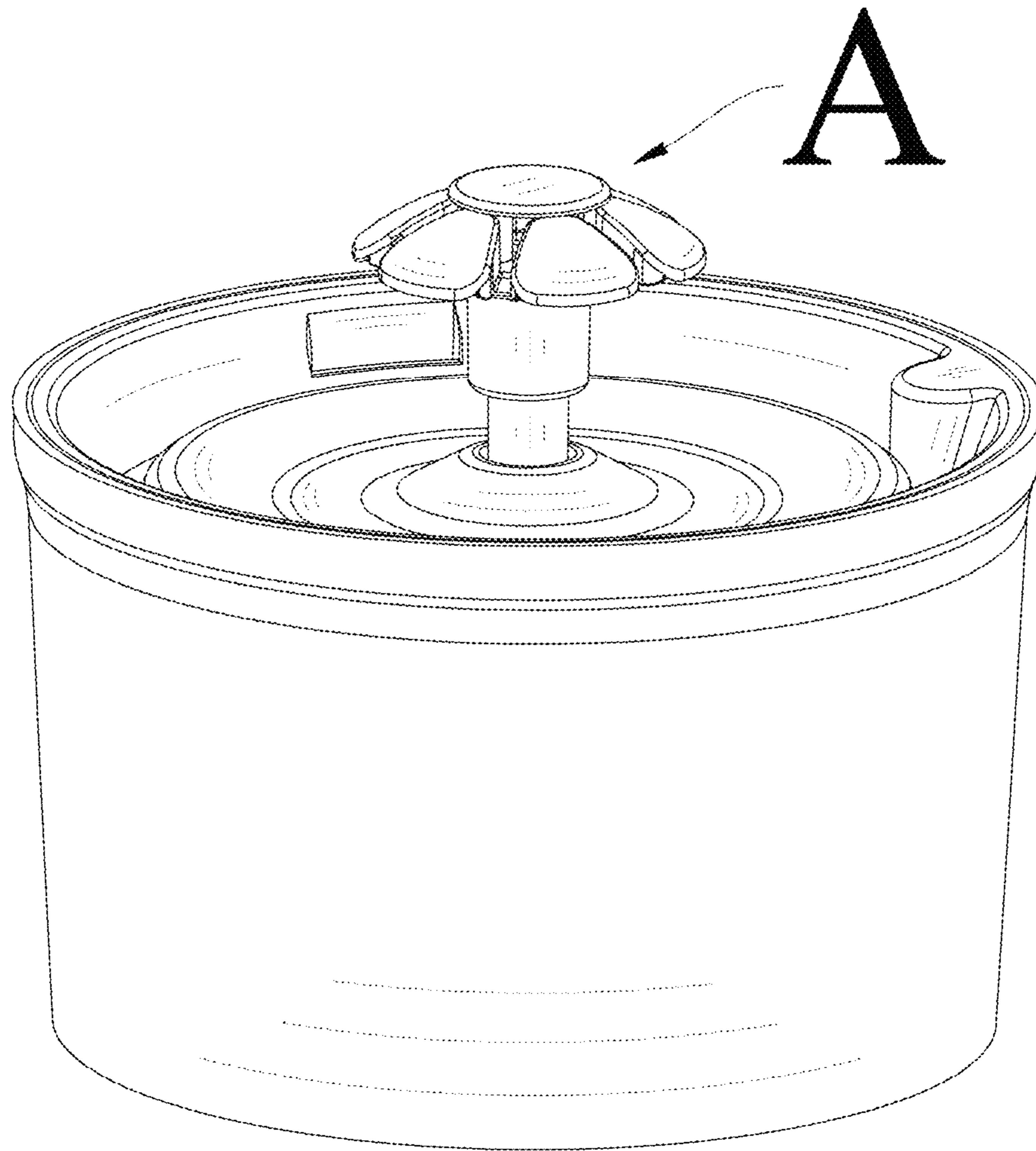


Fig. 9

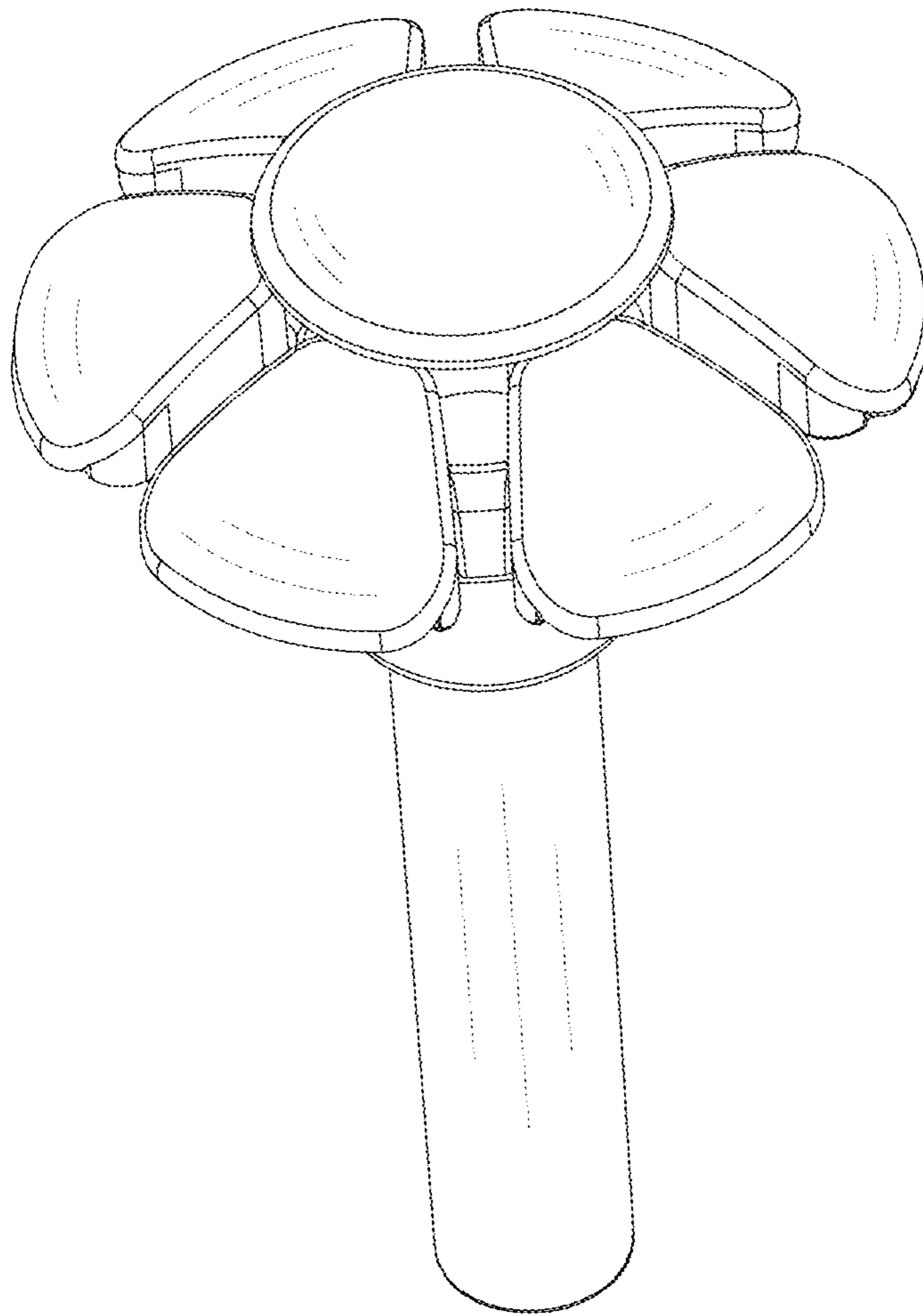


Fig. 10

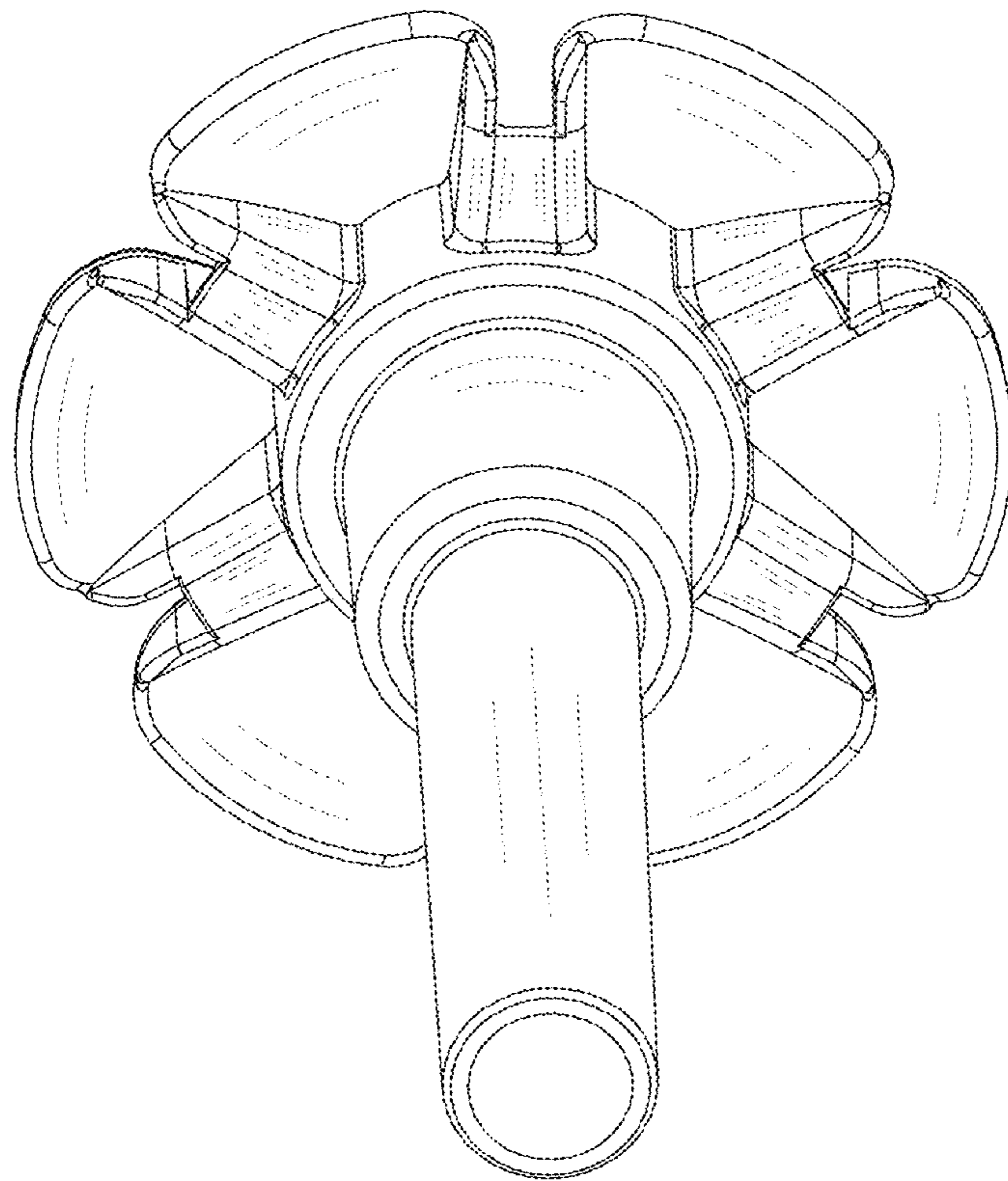


Fig. 11

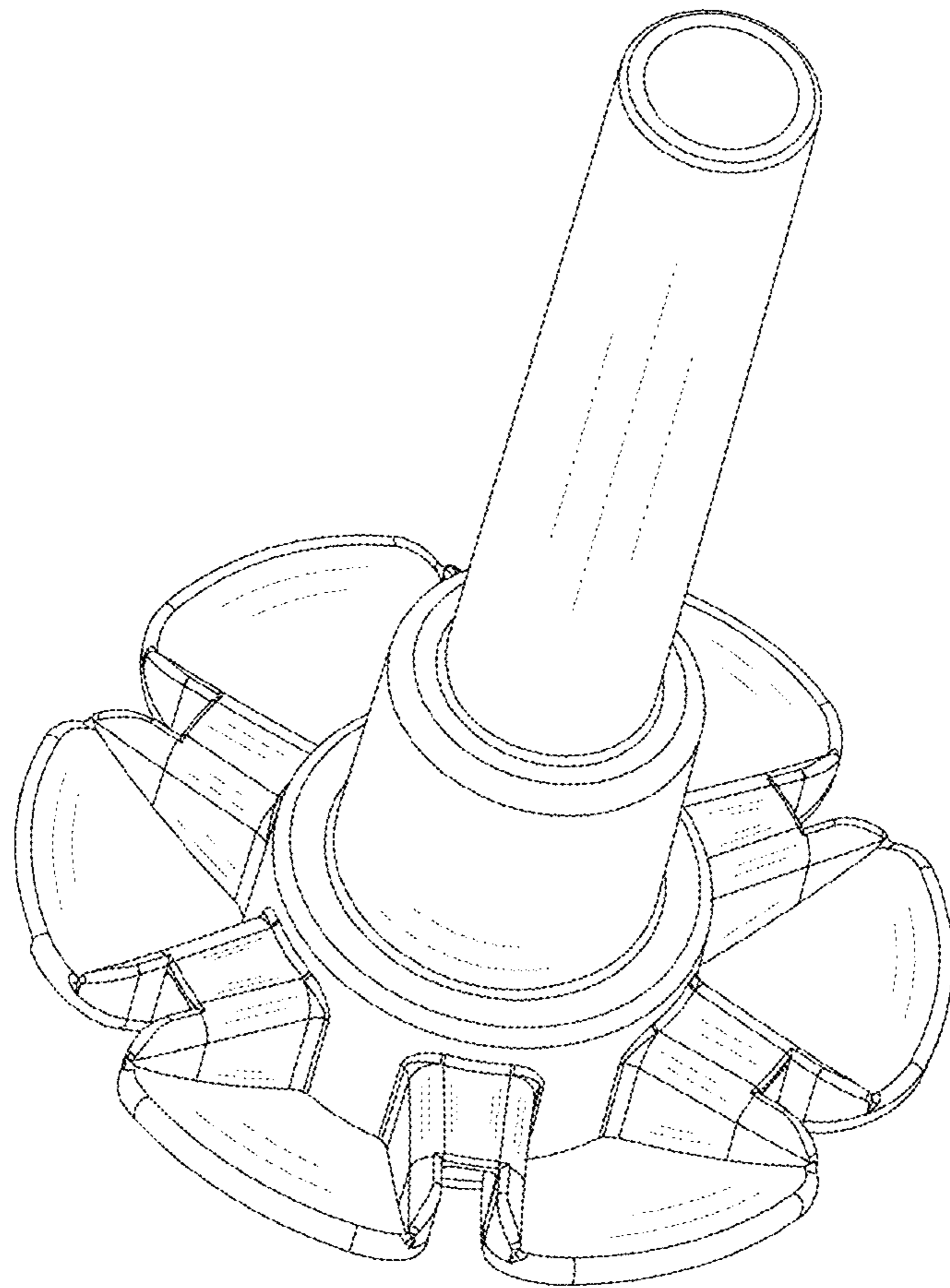


Fig. 12