



US00D820527S

(12) **United States Design Patent**
Romaya

(10) **Patent No.:** **US D820,527 S**

(45) **Date of Patent:** **** Jun. 12, 2018**

(54) **DOG BED**

(71) Applicant: **Marcella Romaya**, San Diego, CA
(US)

(72) Inventor: **Marcella Romaya**, San Diego, CA
(US)

(**) Term: **15 Years**

(21) Appl. No.: **29/601,391**

(22) Filed: **Apr. 21, 2017**

(51) **LOC (11) Cl.** **30-01**

(52) **U.S. Cl.**
USPC **D30/118**

(58) **Field of Classification Search**
USPC D30/108, 117, 118, 161; D9/301, 333,
D9/339, 361, 390, 349, 381, 382, 597,
D9/601, 604, 605, 611; D3/213–216,
D3/226, 232, 321; D21/339, 520;
119/28.5, 174; 5/93.1, 424, 636, 655
CPC A01K 1/0353; A01K 1/035; A01K 1/034;
A01K 1/03; A47D 1/00; A47D 1/002
See application file for complete search history.

(56) **References Cited**

U.S. PATENT DOCUMENTS

2,032,248	A	2/1936	Bins	
2,775,222	A	12/1956	Kruck	
5,197,411	A	3/1993	Schwarzenbart	
5,226,384	A	7/1993	Jordan	
5,588,393	A	12/1996	Heiborn	
D379,047	S *	5/1997	Richard	D6/368
D430,970	S *	9/2000	Hoehn	D3/215
D433,543	S	11/2000	Fiore et al.	
D436,281	S *	1/2001	Thompson	D6/333
D441,146	S	4/2001	Passmore	
6,591,778	B1 *	7/2003	Alderman	A01K 1/0353 119/28.5
6,998,380	B2	2/2006	Fry et al.	
7,373,900	B2 *	5/2008	Duncan	A01K 1/0353 119/28.5
D593,351	S *	6/2009	Song	D30/118

D612,187	S *	3/2010	Visco	D6/604
D649,778	S *	12/2011	Hock	D3/232
D717,503	S	11/2014	Diskin	
D725,847	S	3/2015	Coulter	
D747,094	S *	1/2016	Ciptak	D3/226
D759,904	S *	6/2016	Cantwell	D30/118

(Continued)

OTHER PUBLICATIONS

“MidWest Quiet Time Deluxe Micro Terry Pet Bed & Crate Mat”
posted on Feb. 23, 2014 [online], [retrieved Feb. 26, 2018]. Retrived
from internet: [https://www.chewy.com/midwest-quiet-time-deluxe-micro-terry/product-reviews/102260?reviewSort=NEWEST
&reviewFilter=ALL_STARS&pageNumber=1.*](https://www.chewy.com/midwest-quiet-time-deluxe-micro-terry/product-reviews/102260?reviewSort=NEWEST&reviewFilter=ALL_STARS&pageNumber=1.*)

(Continued)

Primary Examiner — Barbara Fox
Assistant Examiner — Mehri F Bajoul
(74) *Attorney, Agent, or Firm* — Reem Allas

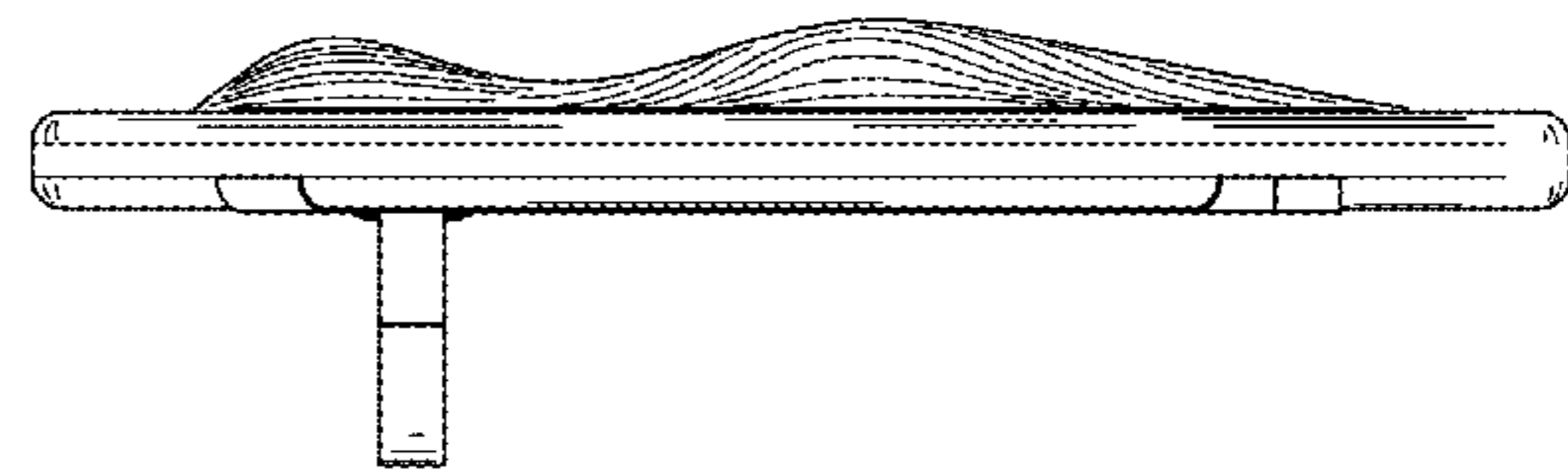
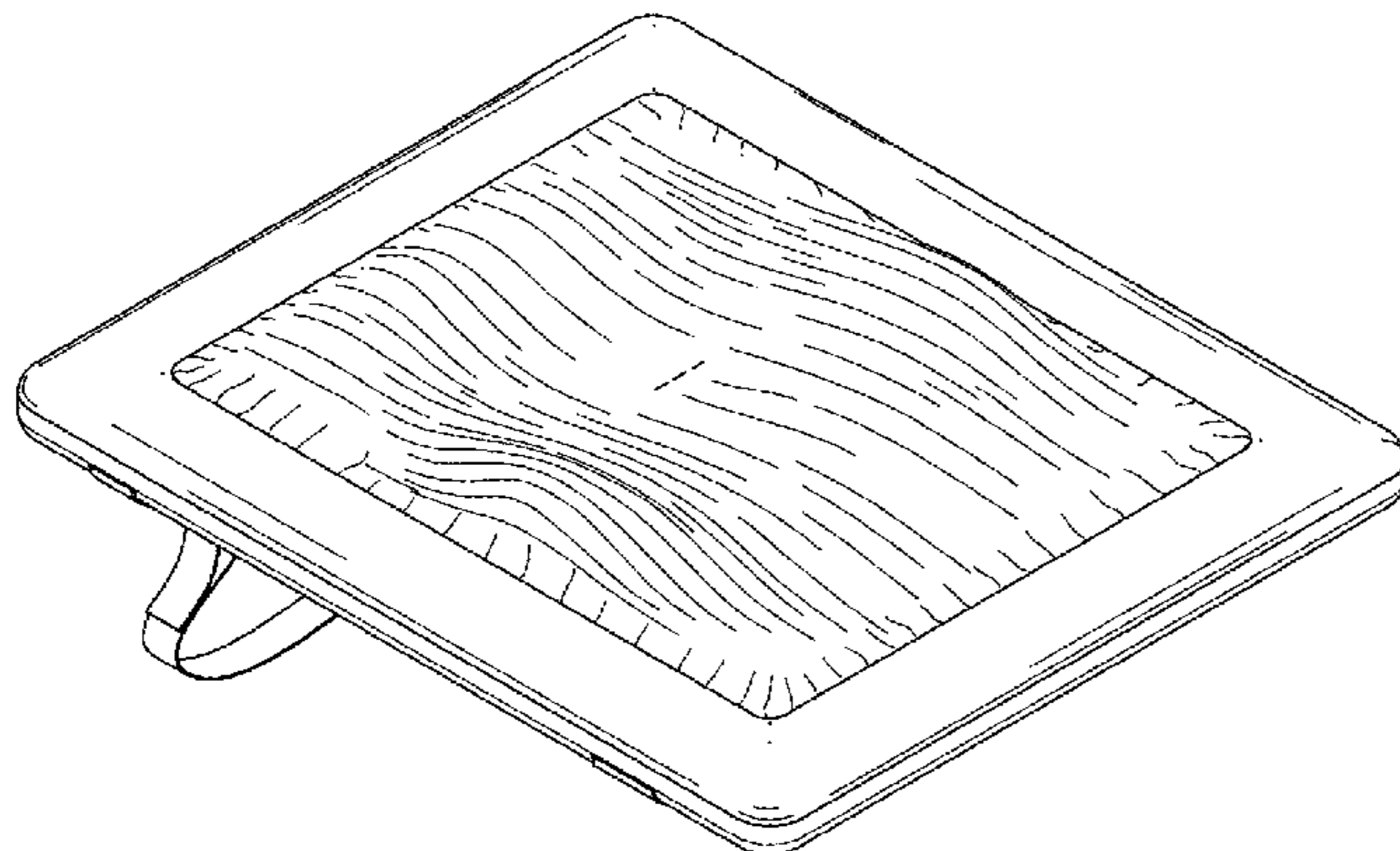
(57) **CLAIM**

The ornamental design for a dog bed, as shown and described.

DESCRIPTION

FIG. 1 is a top, left and rear perspective view showing my new design;
FIG. 2 is a top view thereof;
FIG. 3 is a bottom view thereof;
FIG. 4 is a front view thereof;
FIG. 5 is a left-side view thereof;
FIG. 6 is a rear view thereof; and,
FIG. 7 is a right-side view thereof.
The broken lines found in FIG. 1 and FIG. 2 represent stitches located along the center of the dog bed. Also, the small curved lines found along the interior perimeter of the topper portion of the dog bed represent gathering of fabric.

1 Claim, 3 Drawing Sheets



(56)

References Cited

U.S. PATENT DOCUMENTS

2006/0060147 A1 3/2006 Appelhans
2008/0127897 A1* 6/2008 Flannery A01K 1/0353
119/28.5
2015/0090190 A1 4/2015 Diskin
2016/0021846 A1 1/2016 Bigott
2016/0309678 A1 10/2016 Garnet

OTHER PUBLICATIONS

“Trax Mesh Training Tray” posted on Jan. 25, 2017 [online],
[retrieved Feb. 26, 2018]. Retrived from internet: https://www.chewy.com/richell-paw-trax-mesh-training-tray/product-reviews/136876?reviewSort=NEWEST&reviewFilter=ALL_STARS&pageNumber=1.
Homemade Pet beds—ThriftyFun. Date: Apr. 19, 2017 URL Link:
<https://goo.gl/images/gU0W6A>.
20 Perfect Diy Dog Beds Ideas for Your Furry Friend. Date: Apr. 19,
2017 URL Link: <https://goo.gl/images/1sSjpl>.

* cited by examiner

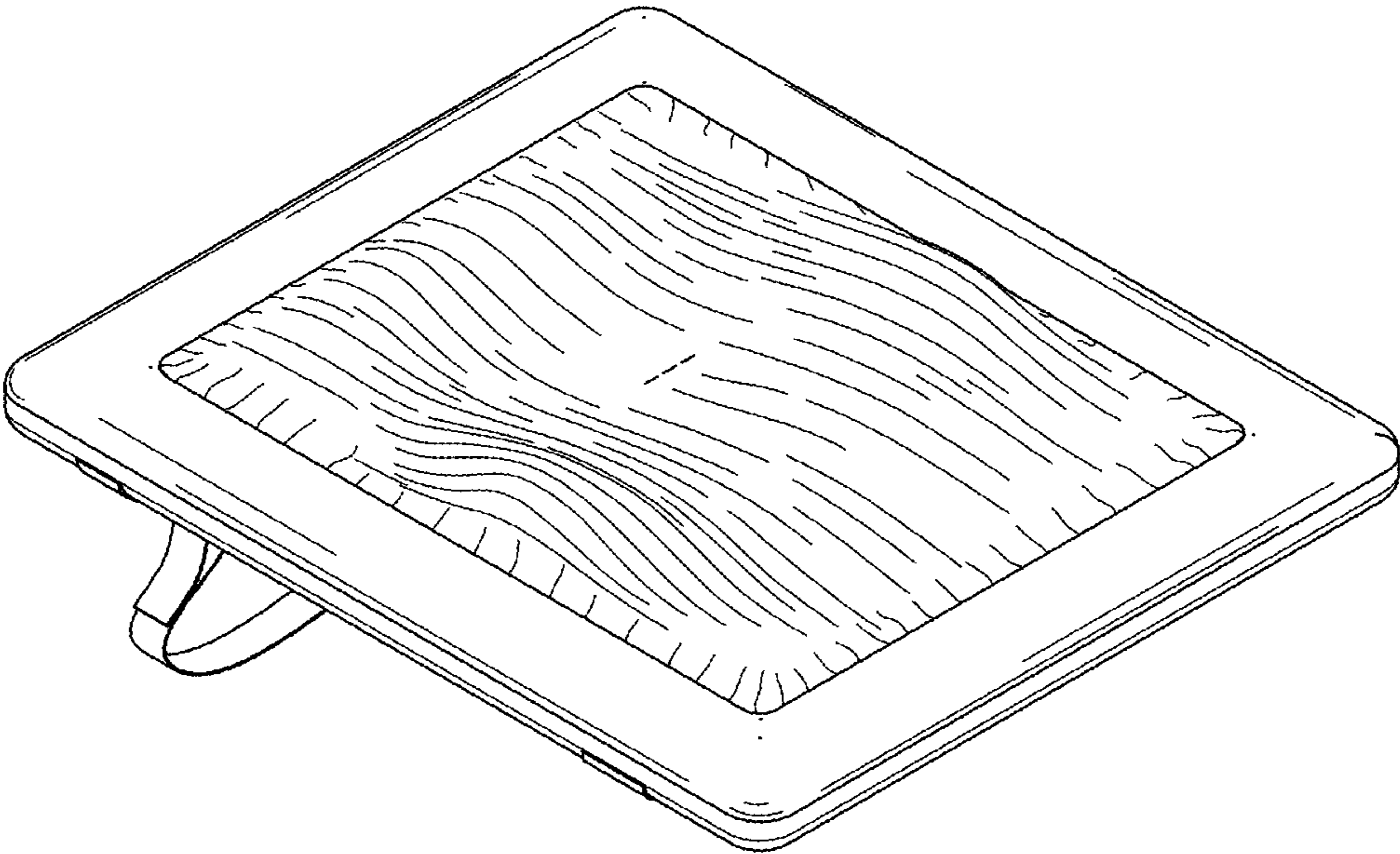


Fig. 1

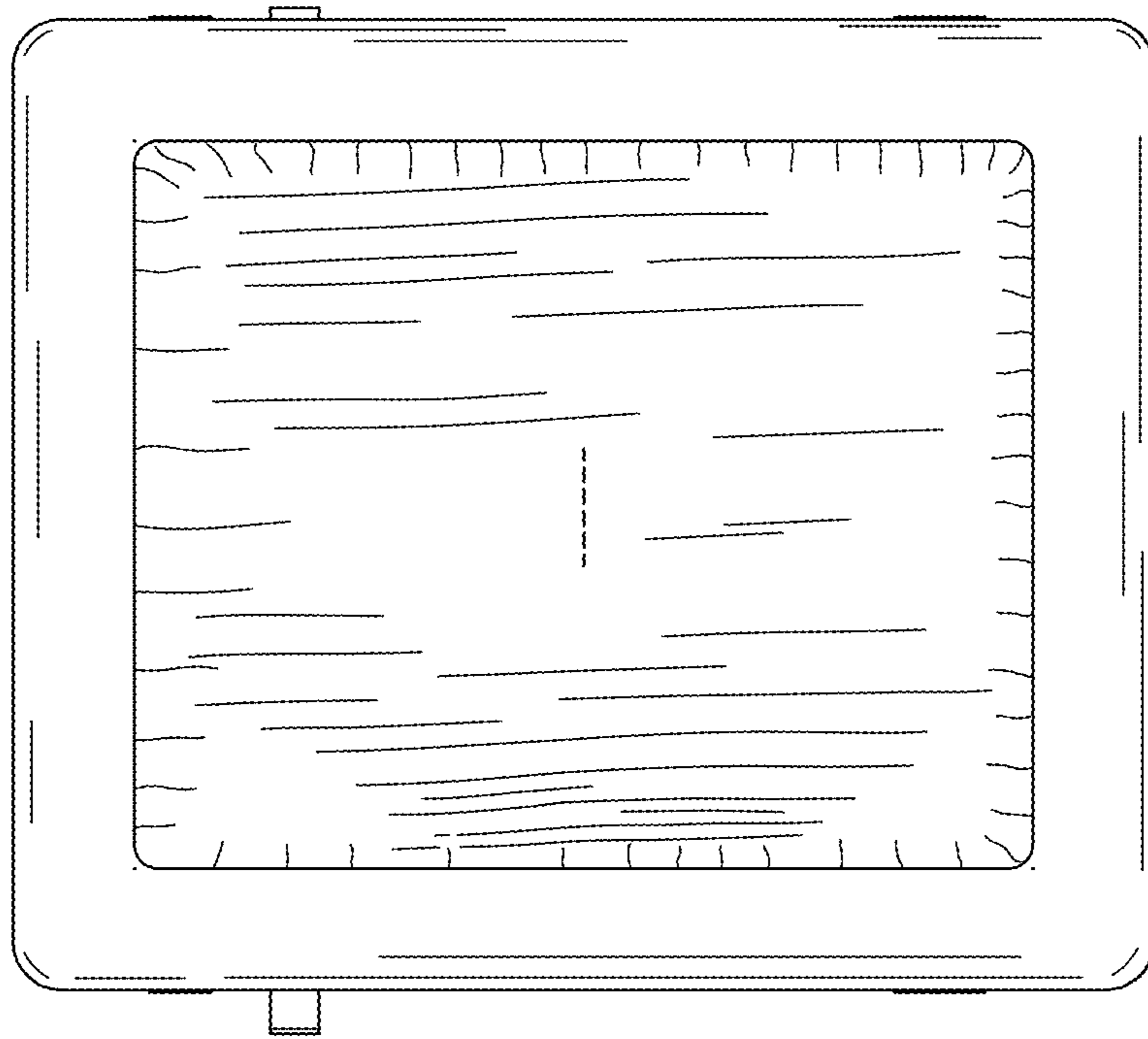


Fig. 2

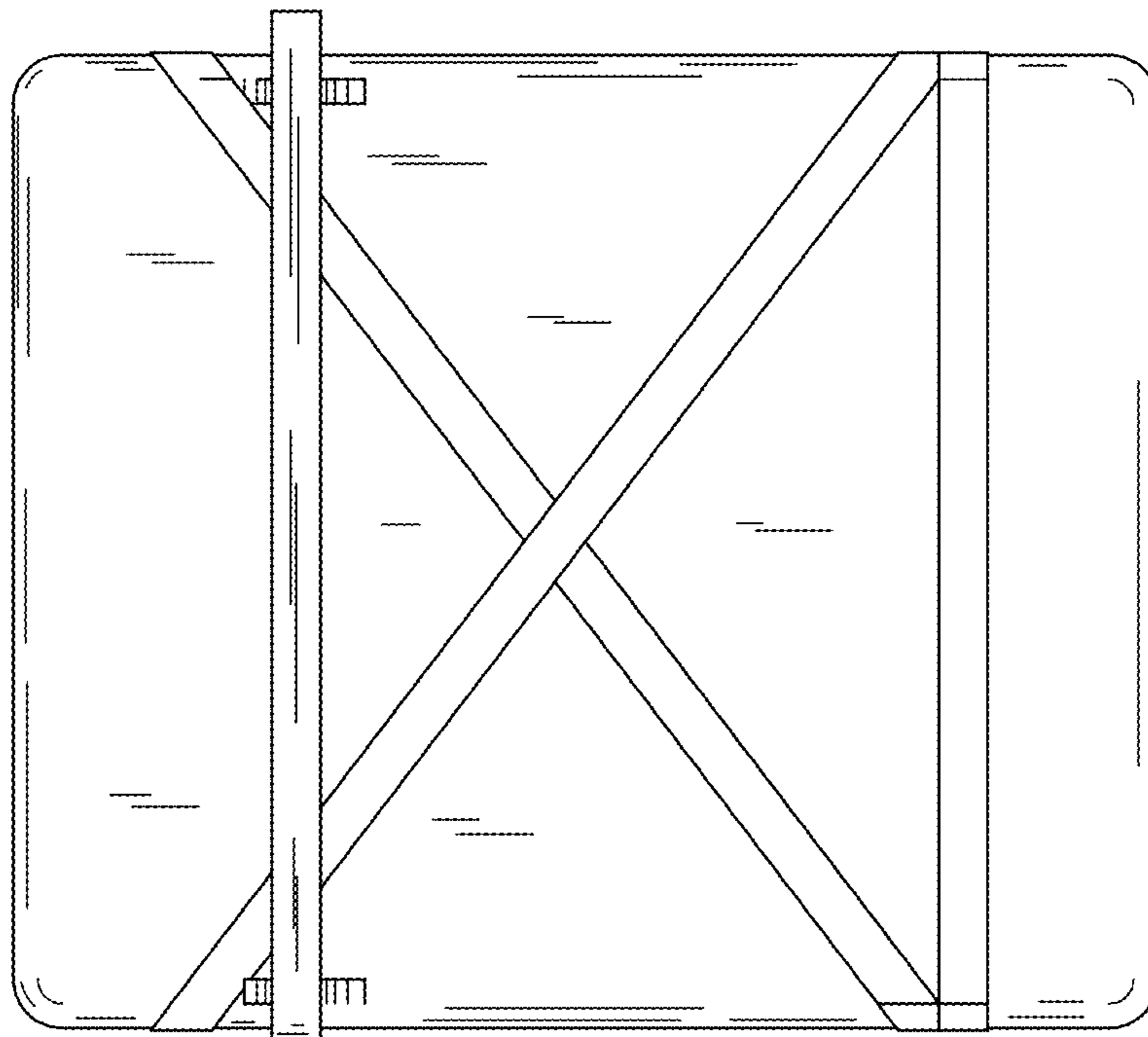


Fig. 3

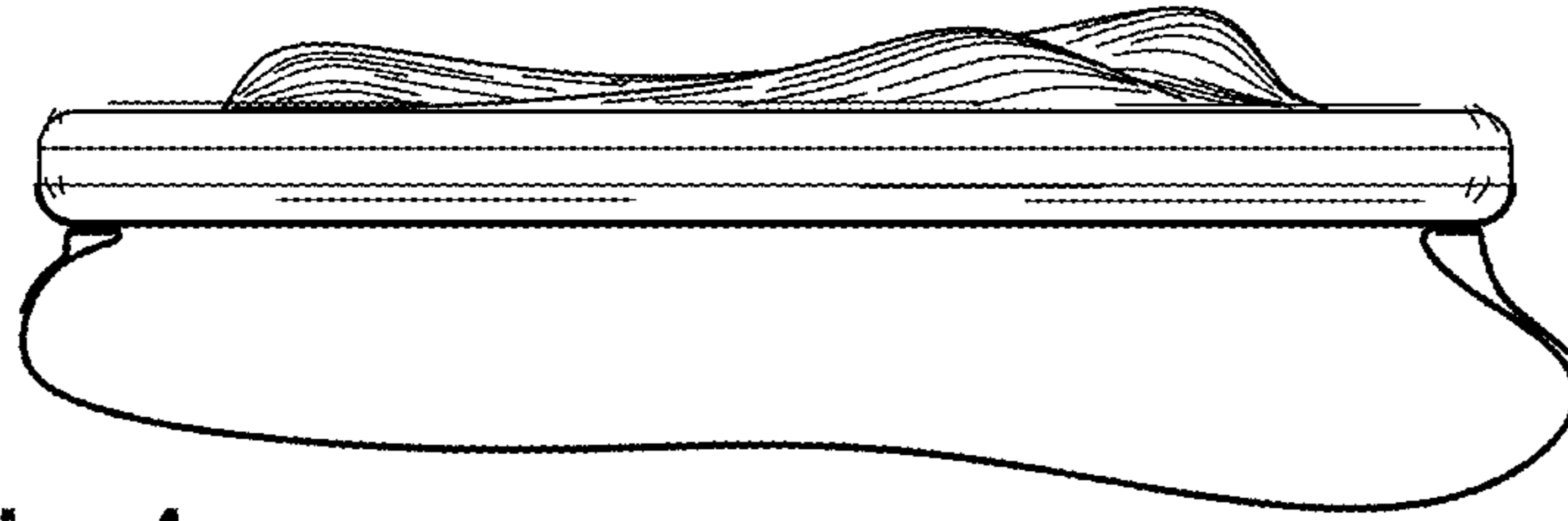


Fig. 4

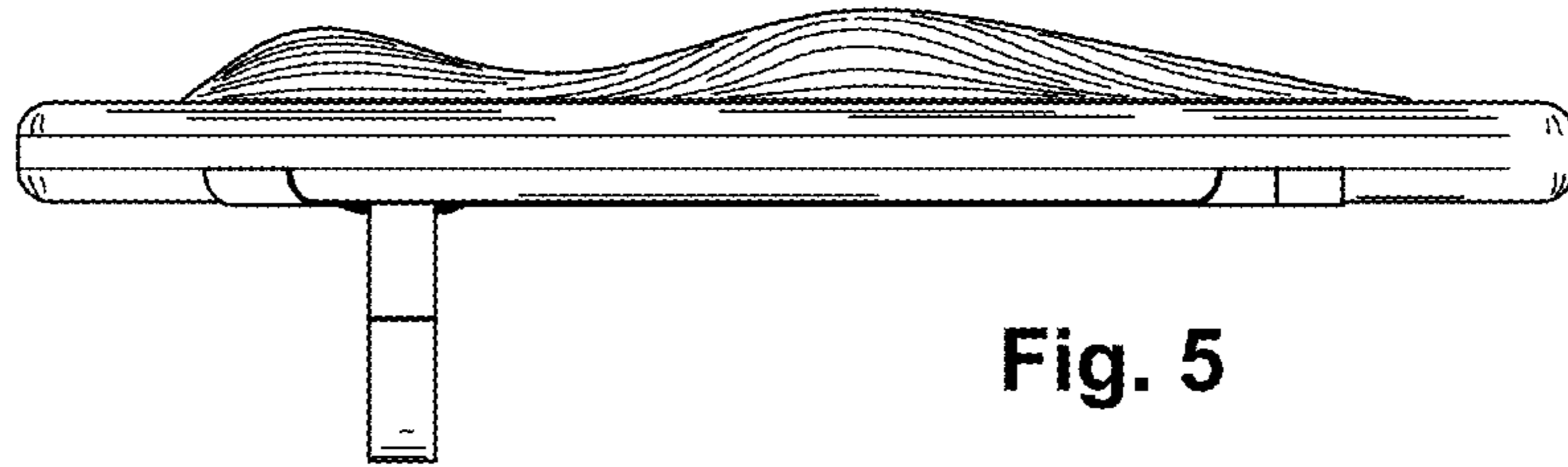


Fig. 5

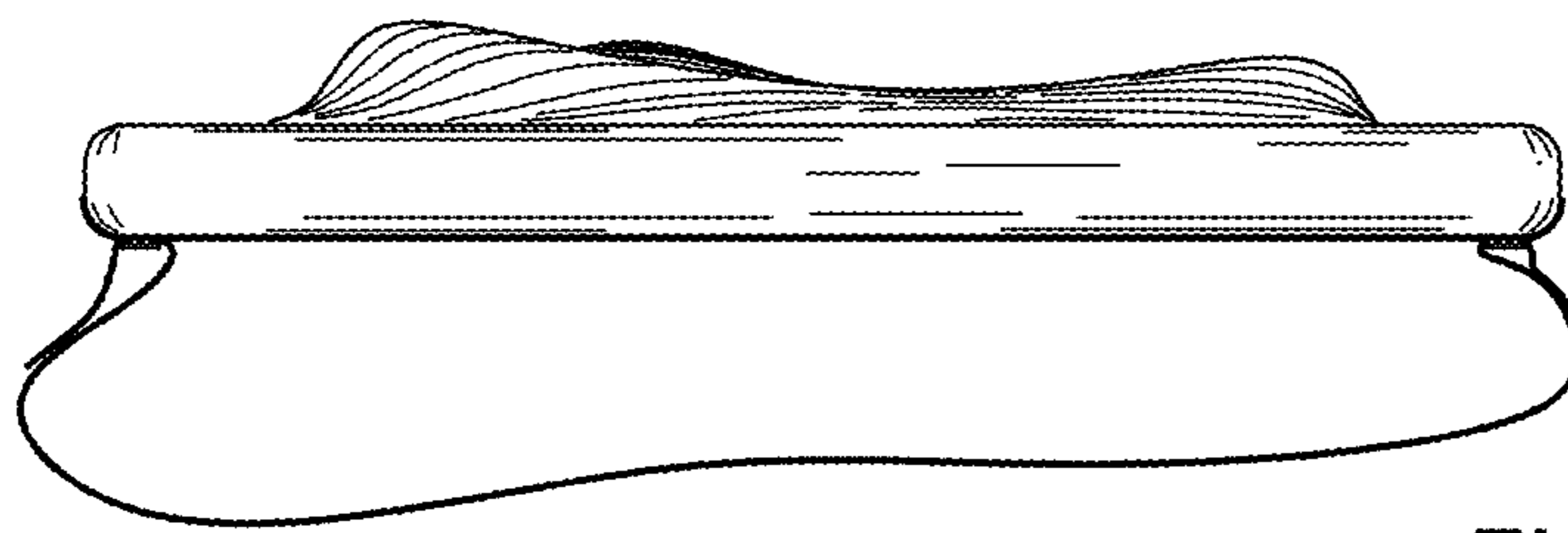


Fig. 6

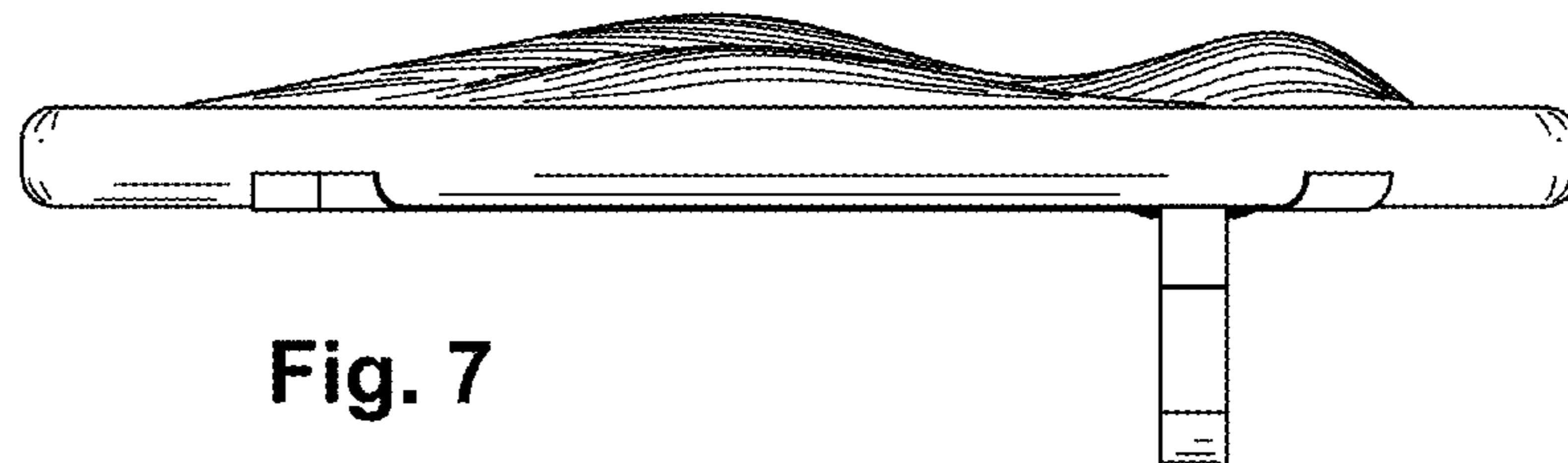


Fig. 7