



US00D820525S

(12) **United States Design Patent**
Lin

(10) **Patent No.:** **US D820,525 S**
(45) **Date of Patent:** **** Jun. 12, 2018**

(54) **SPLIT-TYPE FISH TANK**
(71) Applicant: **SENSEN GROUP CO., LTD.**,
Zhoushan, Zhejiang (CN)

D357,644 S * 4/1995 Pedersen D11/143
D490,940 S * 6/2004 Wang D30/105
D548,406 S * 8/2007 Mihlbauer D30/101
D792,656 S * 7/2017 Xie D30/101

* cited by examiner

(72) Inventor: **Jianding Lin**, Zhejiang (CN)
(73) Assignee: **SENSEN GROUP CO., LTD.**,
Zhoushan, Zhejiang (CN)

Primary Examiner — Wan Laymon
Assistant Examiner — Clint A Samuel
(74) *Attorney, Agent, or Firm* — Christensen, Fonder,
Dardi & Herbert PLLC

(**) Term: **15 Years**
(21) Appl. No.: **29/570,013**
(22) Filed: **Jul. 1, 2016**

(30) **Foreign Application Priority Data**

Jun. 3, 2016 (CN) 2016 3 0220534

(51) **LOC (11) Cl.** **30-02**
(52) **U.S. Cl.**
USPC **D30/101**

(58) **Field of Classification Search**
USPC D30/101-108, 161, 199; D24/226;
119/207-209, 219, 221, 223, 245-269
CPC A01K 63/00; A01K 63/02; A01K 63/003;
A01K 63/006; A01K 1/00; Y10T 428/13
See application file for complete search history.

(56) **References Cited**

U.S. PATENT DOCUMENTS

D249,169 S * 8/1978 Walker D30/105
D350,840 S * 9/1994 Carlisle D30/101

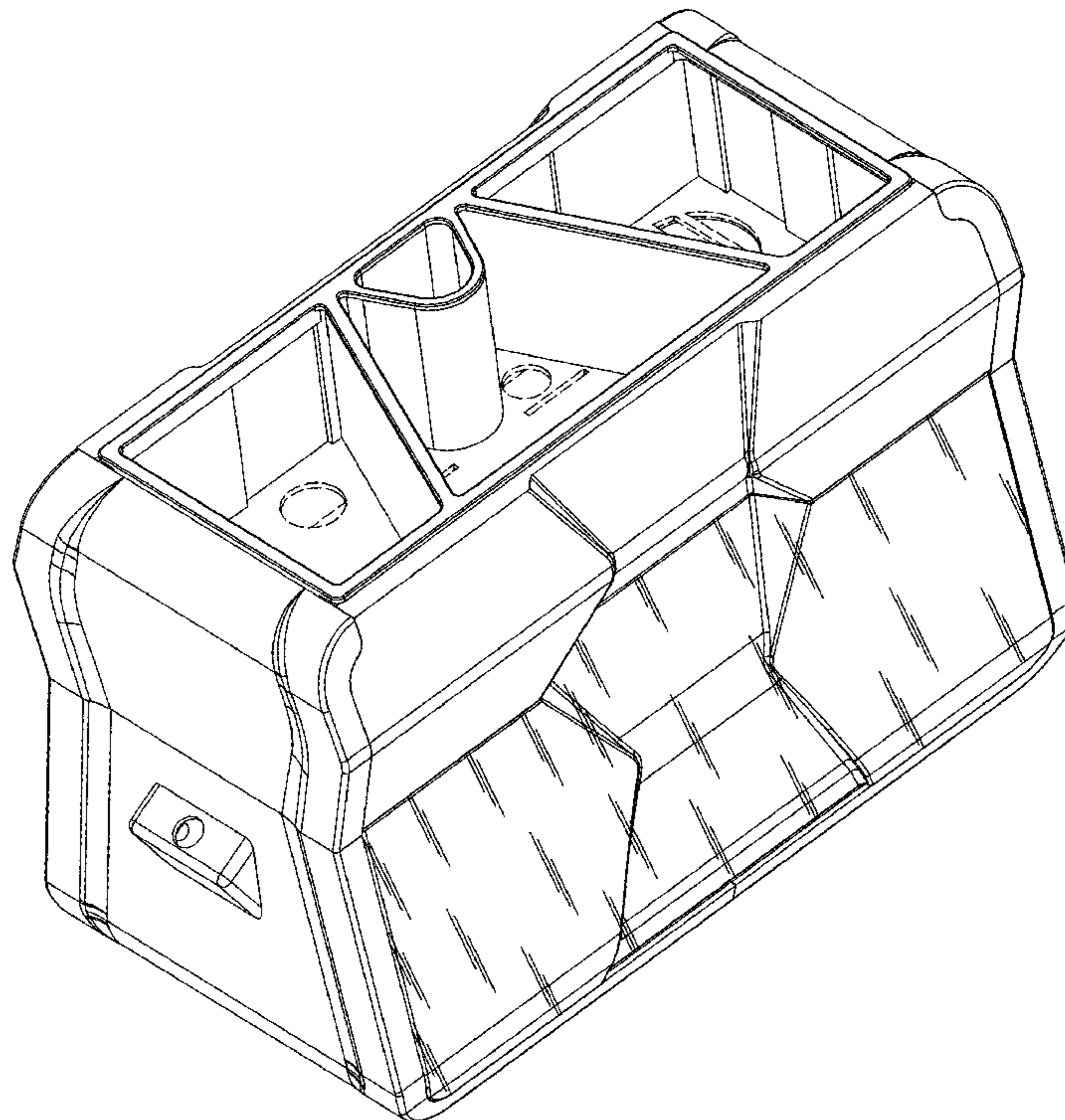
(57) **CLAIM**

The ornamental design for a split-type fish tank, as shown and described.

DESCRIPTION

FIG. 1 is a front view of a split-type fish tank.
FIG. 2 is a rear view of a split-type fish tank.
FIG. 3 is a left view of a split-type fish tank.
FIG. 4 is a right view of a split-type fish tank.
FIG. 5 is a top view of a split-type fish tank.
FIG. 6 is a bottom view of a split-type fish tank; and,
FIG. 7 is a perspective view of a split-type fish tank.
The broken lines depicted in the drawings represent unclaimed portions of the article and form no part of the claimed design.

1 Claim, 7 Drawing Sheets



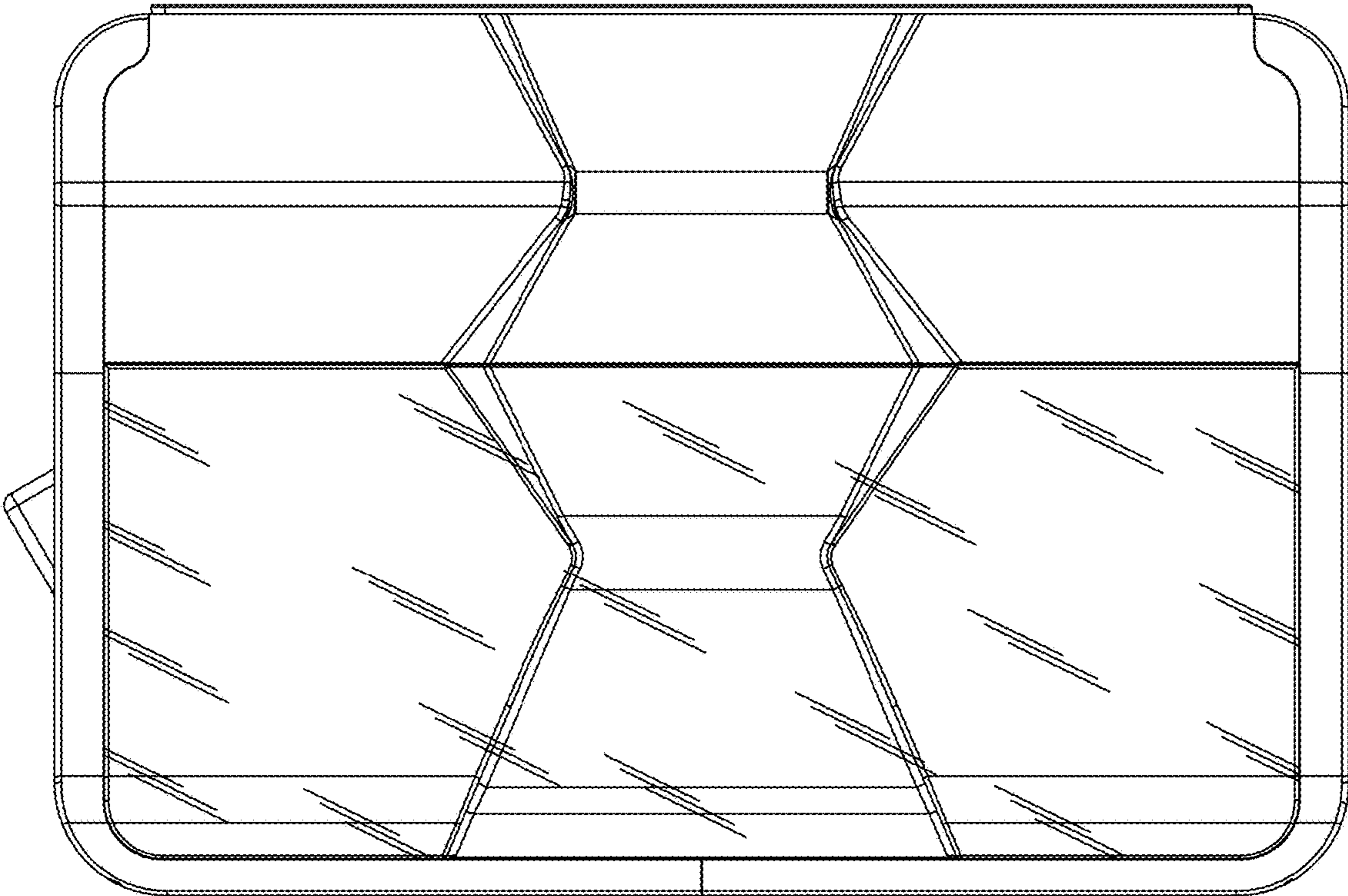


FIG. 1

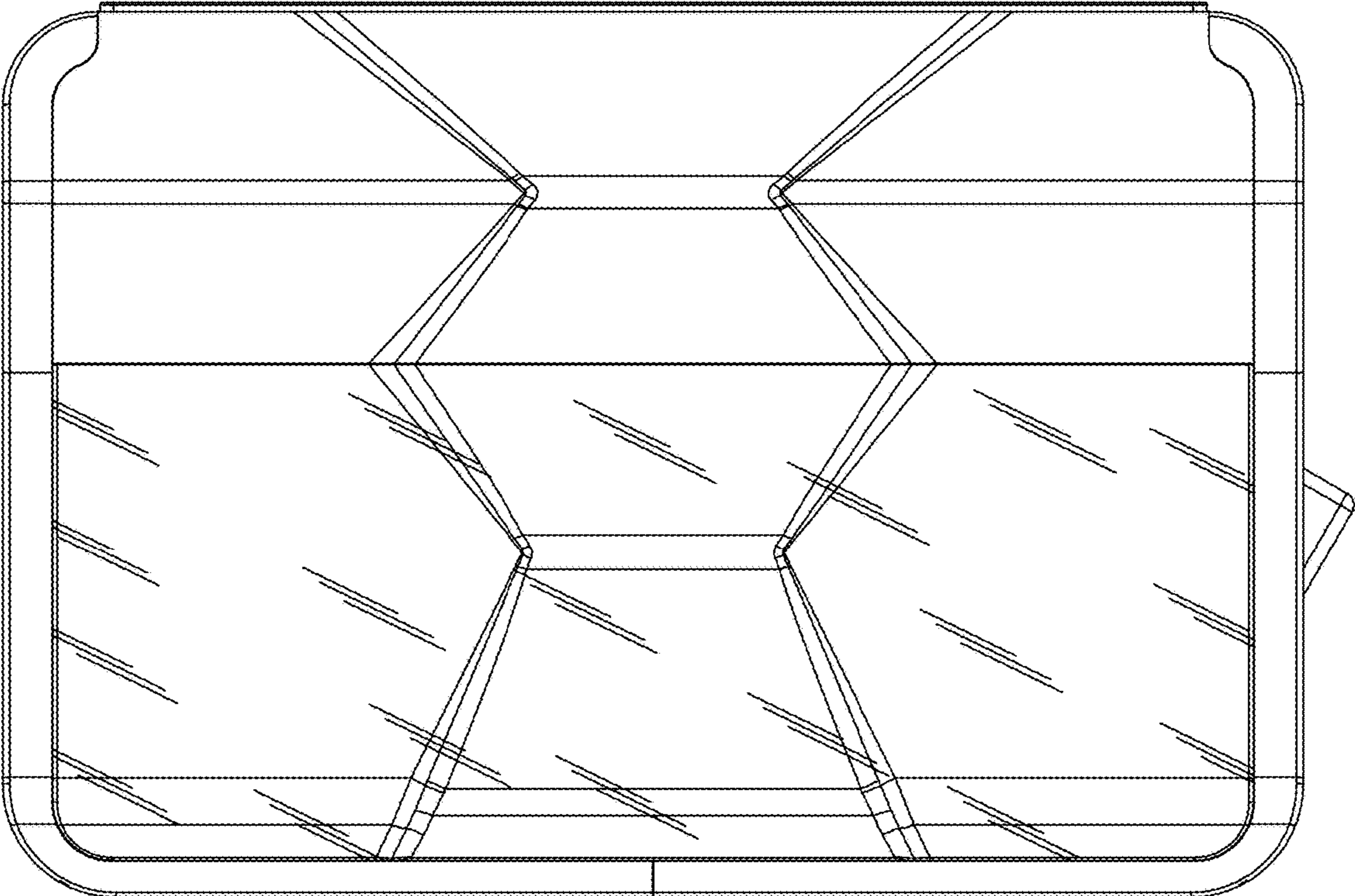


FIG. 2

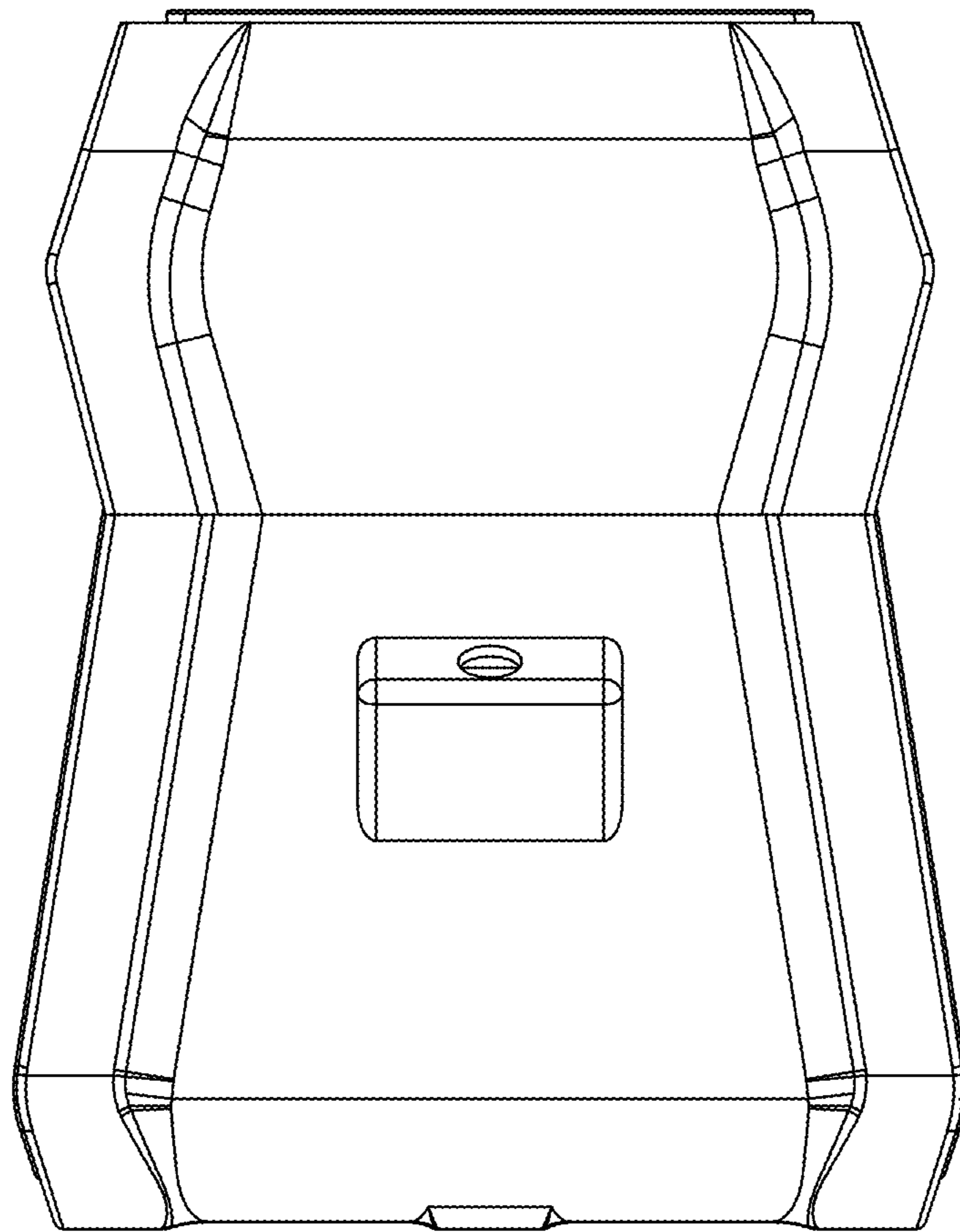


FIG. 3

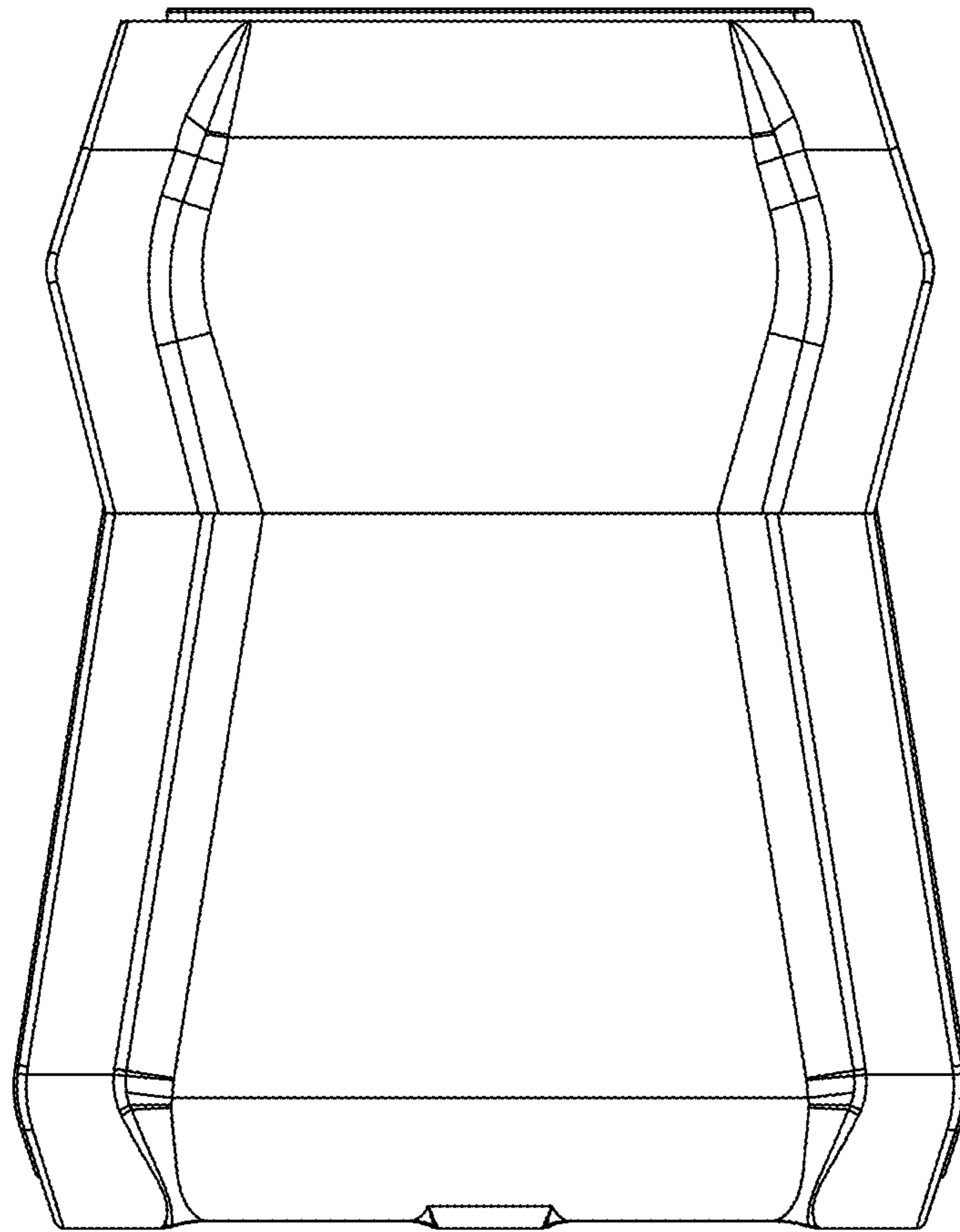


FIG. 4

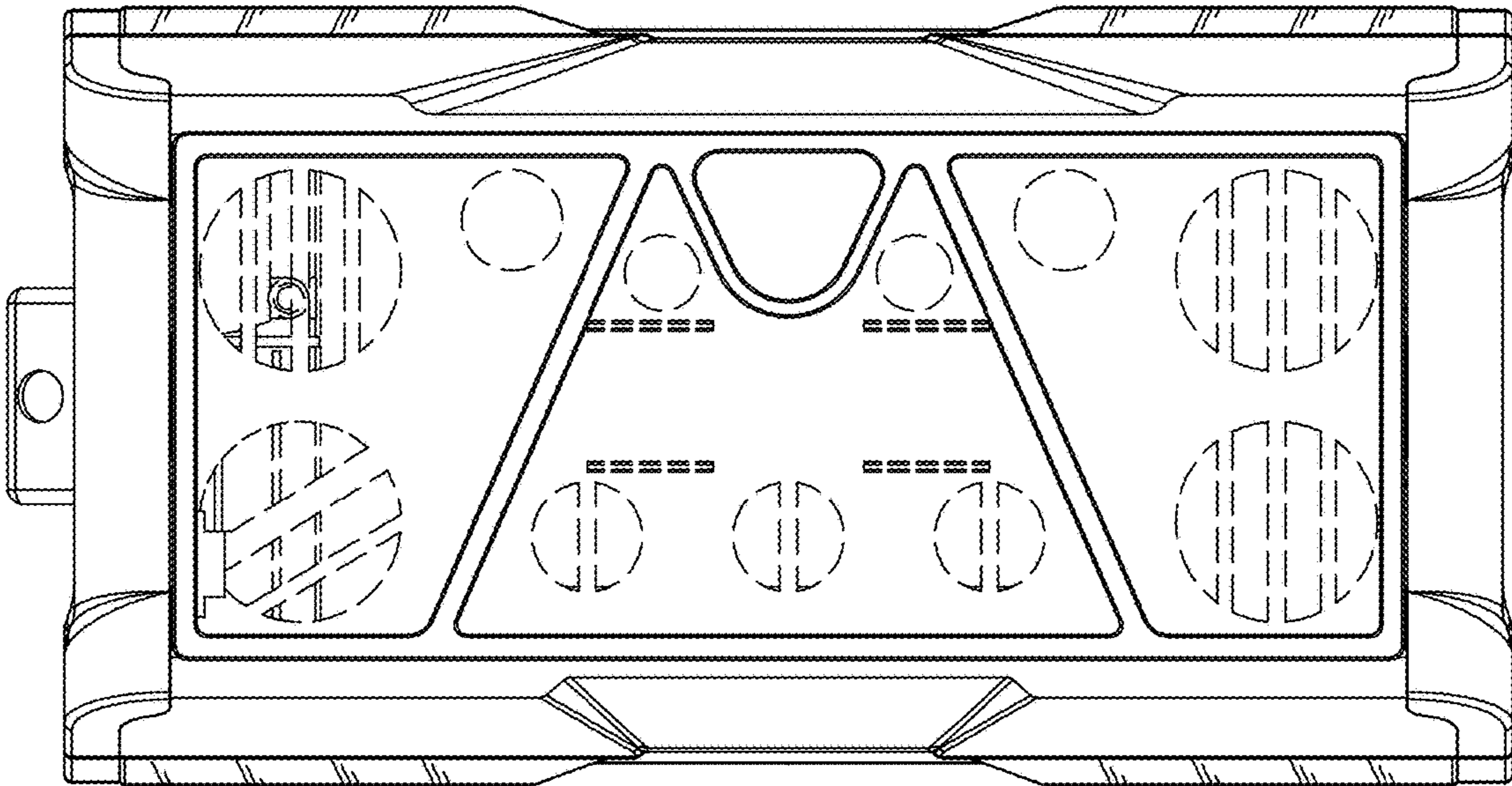


FIG. 5

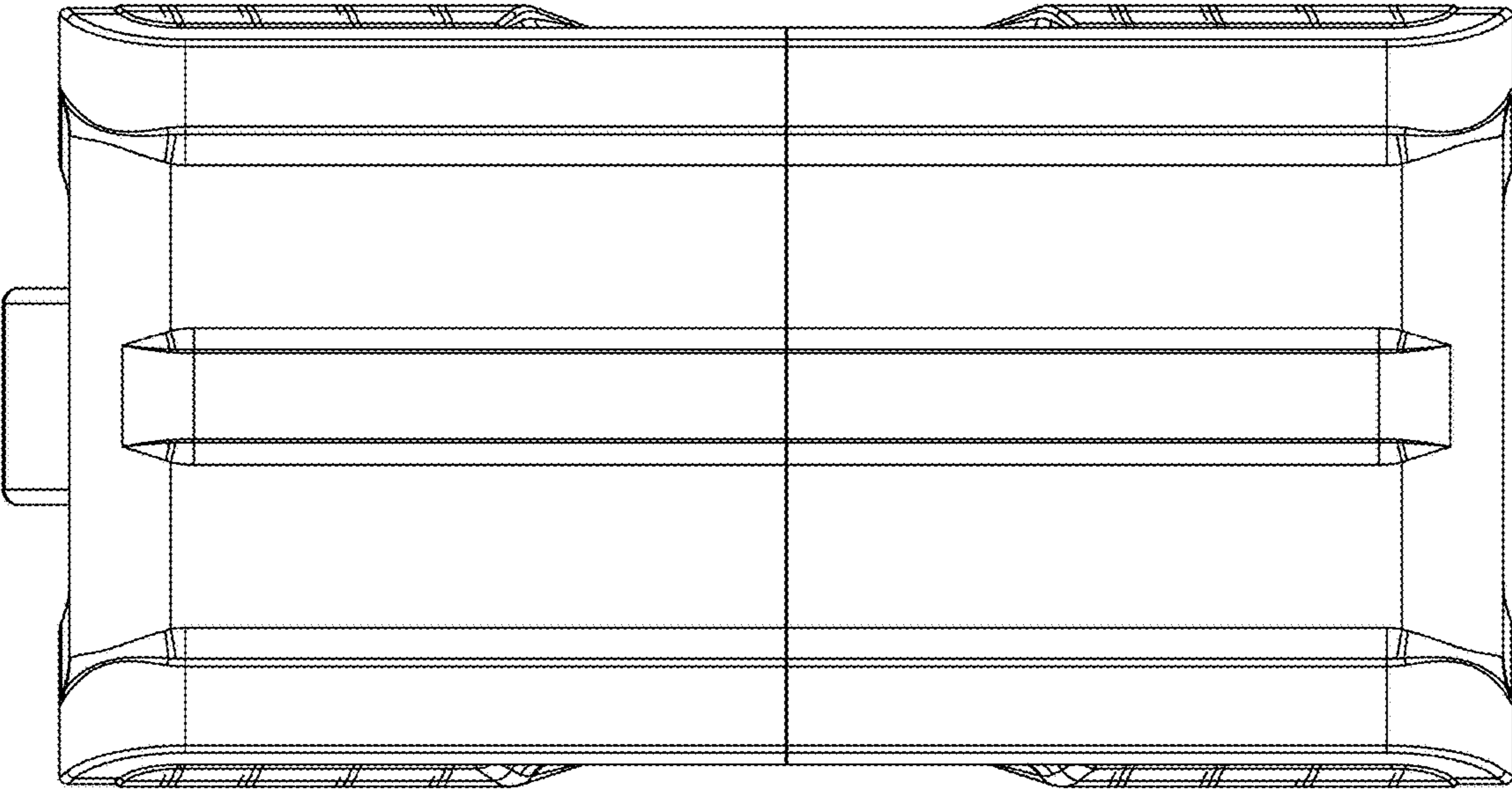


FIG. 6

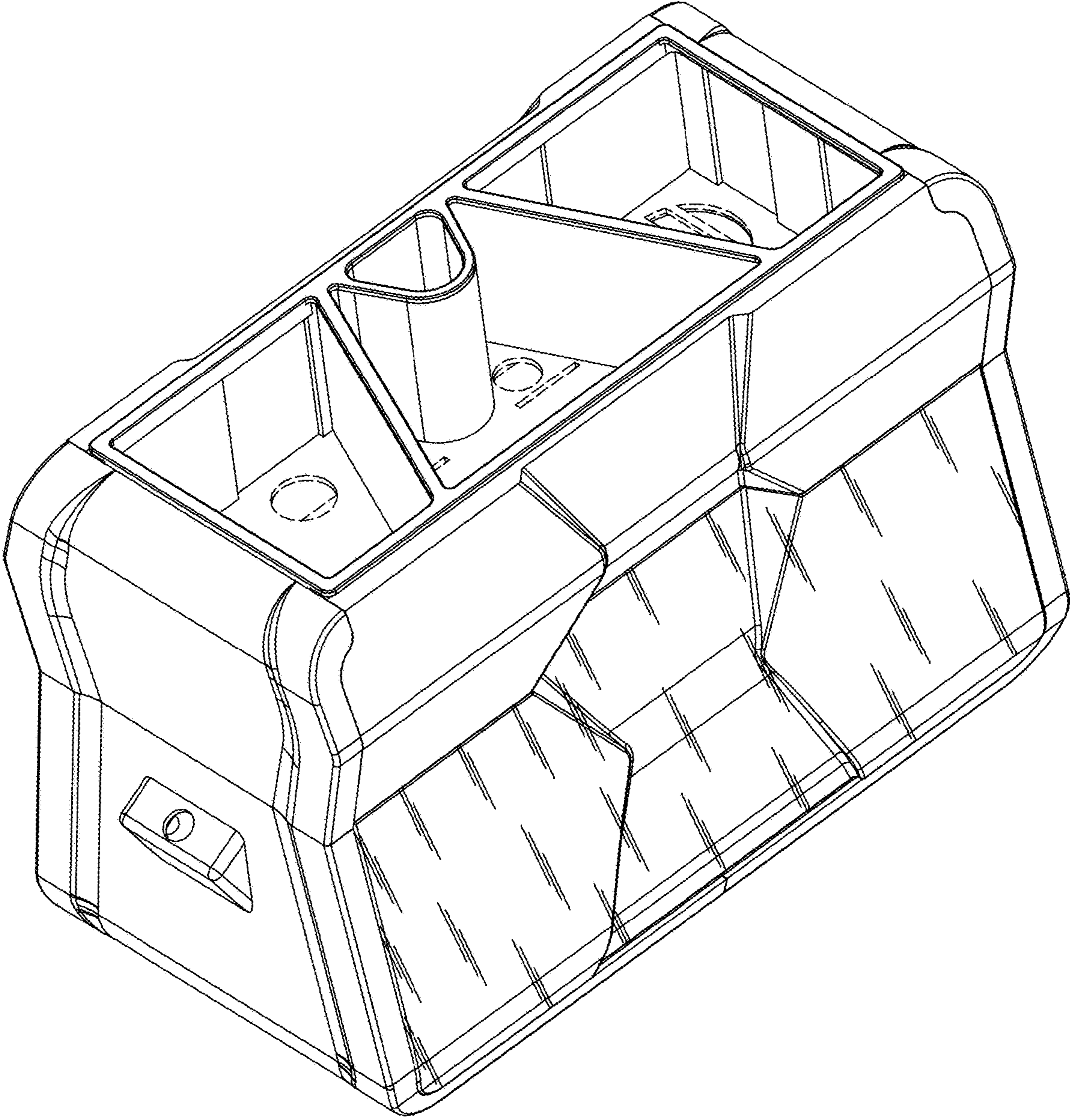


FIG. 7