



US00D820521S

(12) **United States Design Patent**  
**Nitsch**

(10) **Patent No.:** **US D820,521 S**  
(45) **Date of Patent:** **\*\* Jun. 12, 2018**

(54) **HAIR CLIPPER**

(71) Applicant: **KONINKLIJKE PHILIPS N.V.**,  
Eindhoven (NL)

(72) Inventor: **Manfred Nitsch**, Helmond (NL)

(73) Assignee: **KONINKLIJKE PHILIPS N.V.**,  
Eindhoven (NL)

(\*\*) Term: **15 Years**

(21) Appl. No.: **35/502,412**

(22) Filed: **Aug. 4, 2016**

(80) **Hague Agreement Data**

Int. Filing Date: **Aug. 4, 2016**

Int. Reg. No.: **DM/092039**

Int. Reg. Date: **Aug. 4, 2016**

Int. Reg. Pub. Date: **Feb. 10, 2017**

(30) **Foreign Application Priority Data**

Feb. 16, 2016 (EM) ..... 002987339-0001

(51) **LOC (11) Cl.** ..... **28-03**

(52) **U.S. Cl.**  
USPC ..... **D28/53**

(58) **Field of Classification Search**  
USPC ..... D28/44.1, 49-54  
CPC ..... B26B 19/00; B26B 19/02-19/107  
See application file for complete search history.

(56) **References Cited**

U.S. PATENT DOCUMENTS

D721,205 S *	1/2015	Colle .....	D28/53
D722,723 S *	2/2015	Nitsch .....	D28/53
D759,309 S *	6/2016	Reuter .....	D28/53
D760,437 S *	6/2016	Emminger .....	D28/53
D760,438 S *	6/2016	Emminger .....	D28/53
D784,618 S *	4/2017	Mori .....	D28/53
D784,619 S *	4/2017	Mori .....	D28/53
D787,746 S *	5/2017	Werner .....	D28/53
D792,650 S *	7/2017	Mintz .....	D28/53
D799,753 S *	10/2017	Ishikura .....	D28/53

\* cited by examiner

*Primary Examiner* — Zenia Bennett

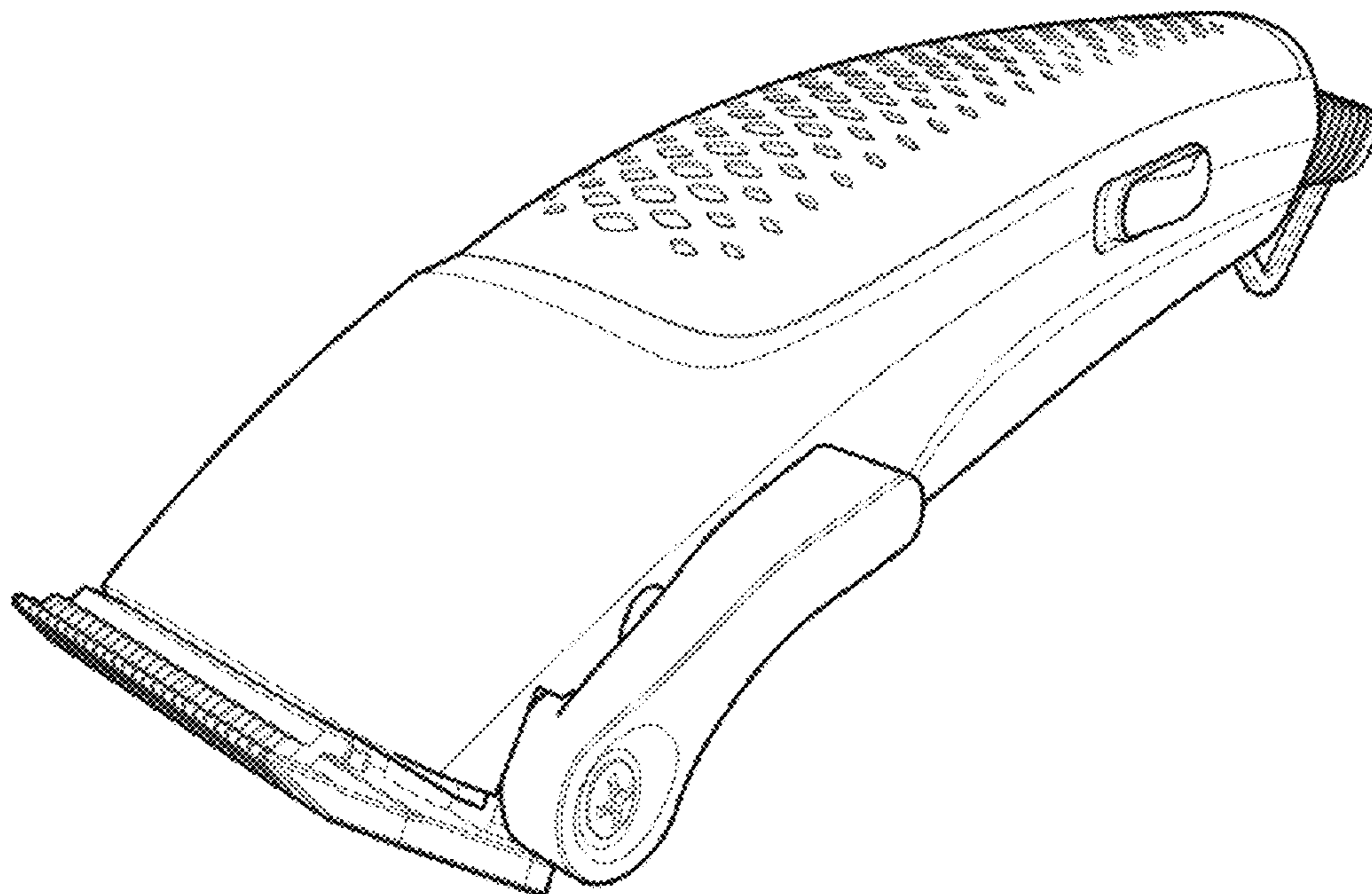
(57) **CLAIM**

The ornamental design for a hair clipper, as shown and described.

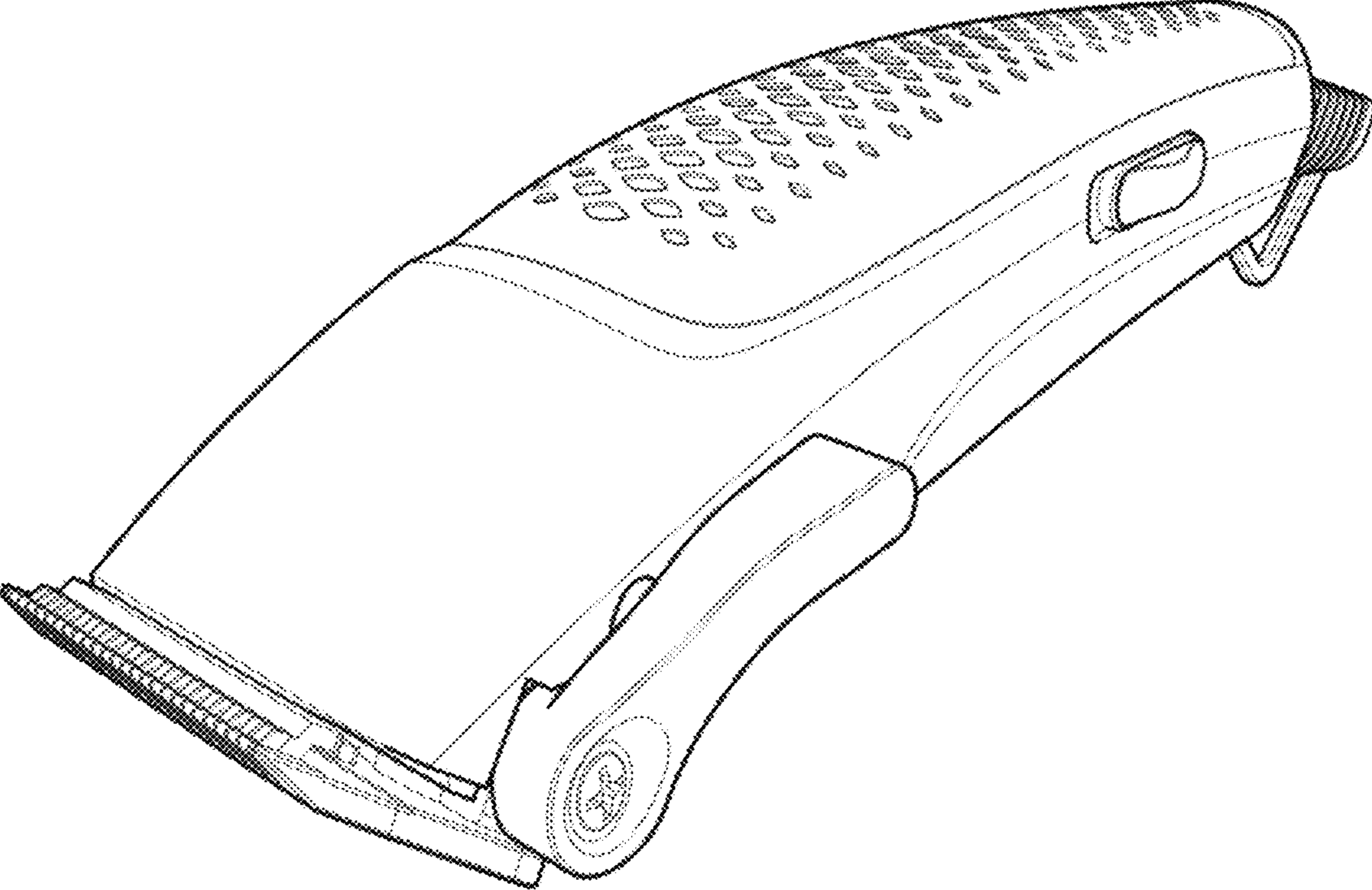
**DESCRIPTION**

1. Hair clipper  
Fig. 1.1 is a perspective view;  
Fig. 1.2 is a front elevation view;  
Fig. 1.3 is a rear elevation view;  
Fig. 1.4 is a left side elevation view;  
Fig. 1.5 is a right side elevation view;  
Fig. 1.6 is a top plan view;  
Fig. 1.7 is a bottom plan view.

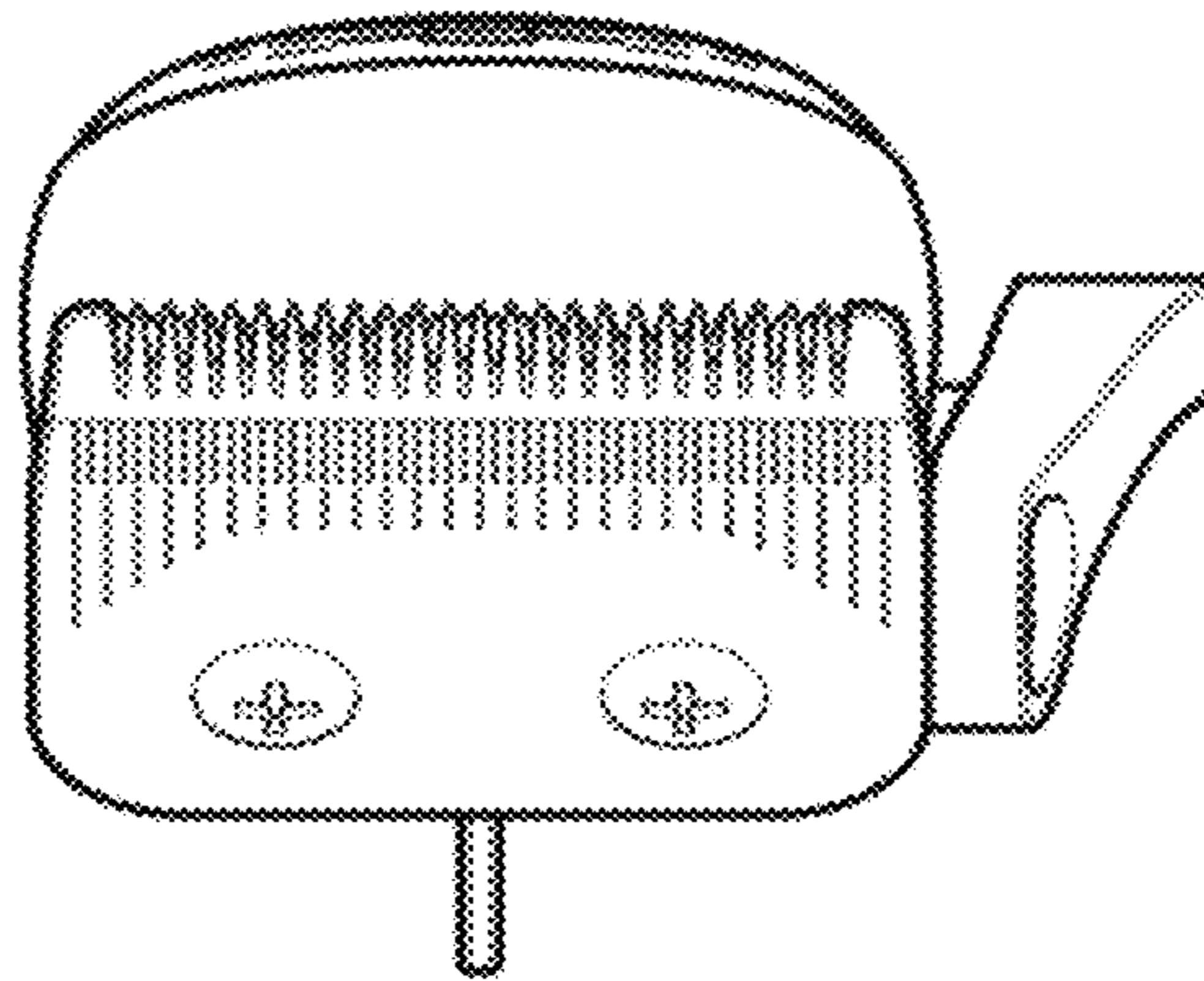
**1 Claim, 7 Drawing Sheets**



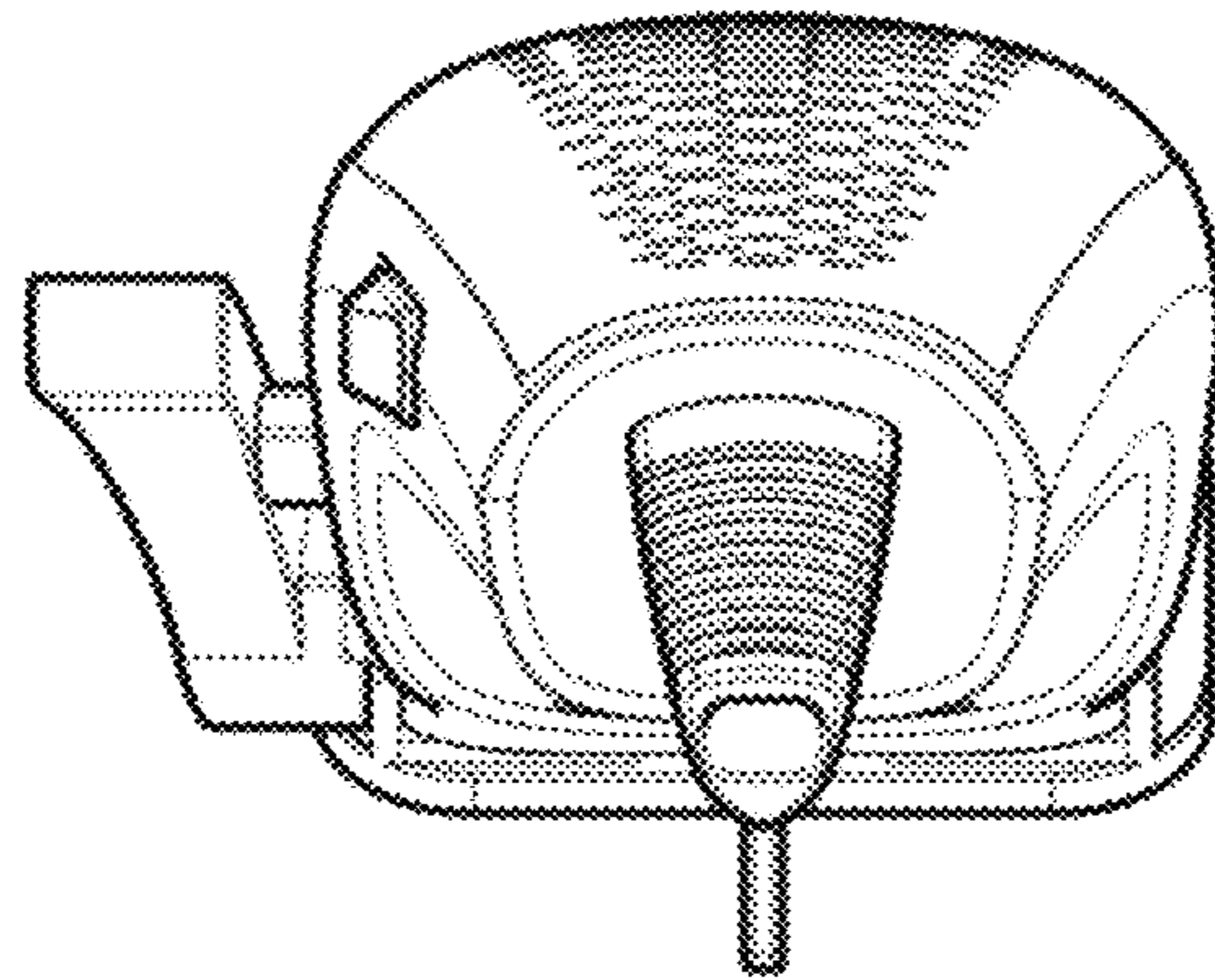
1.1



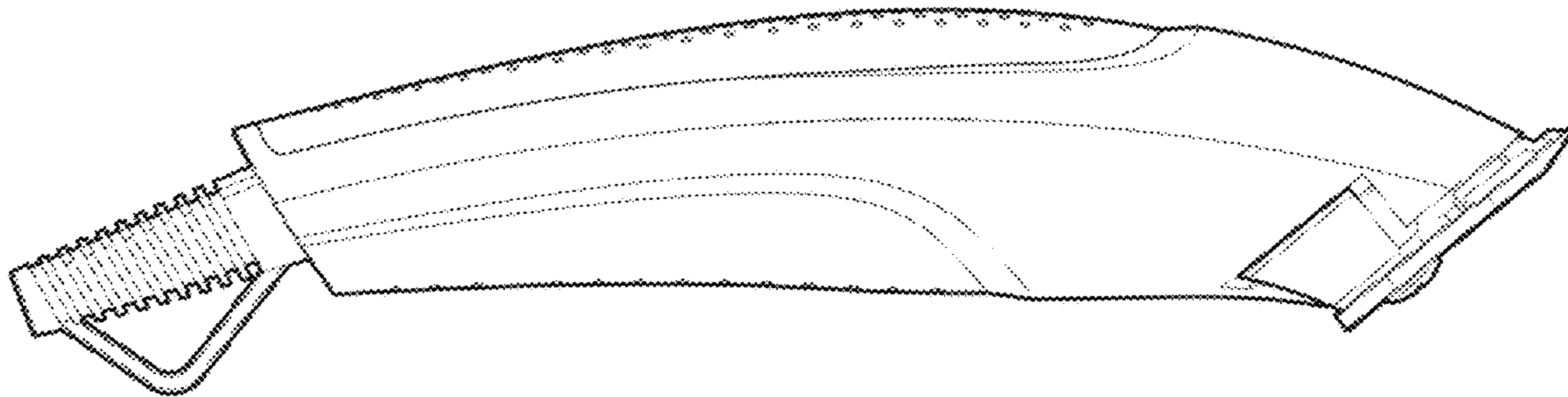
1.2



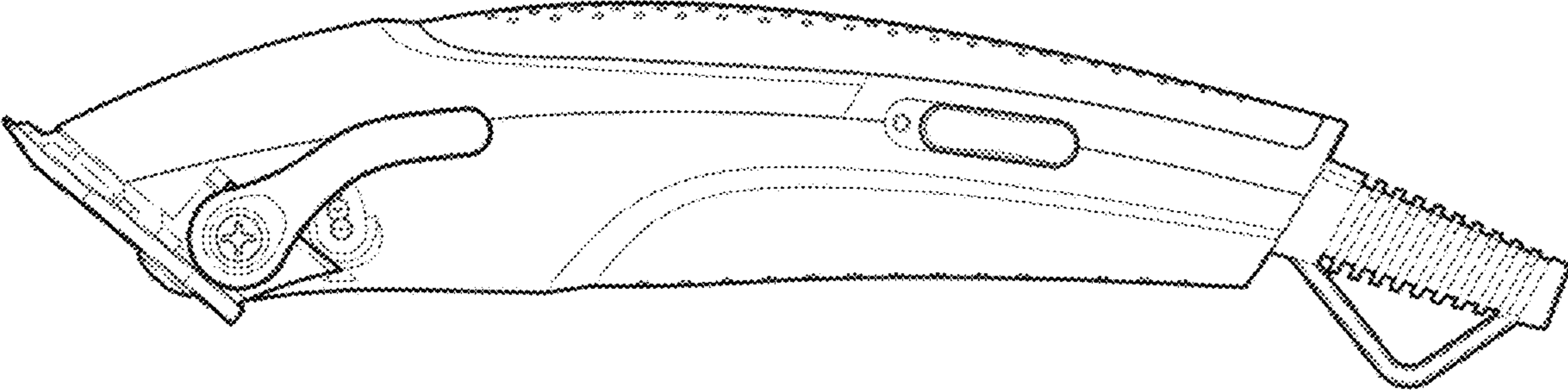
1.3



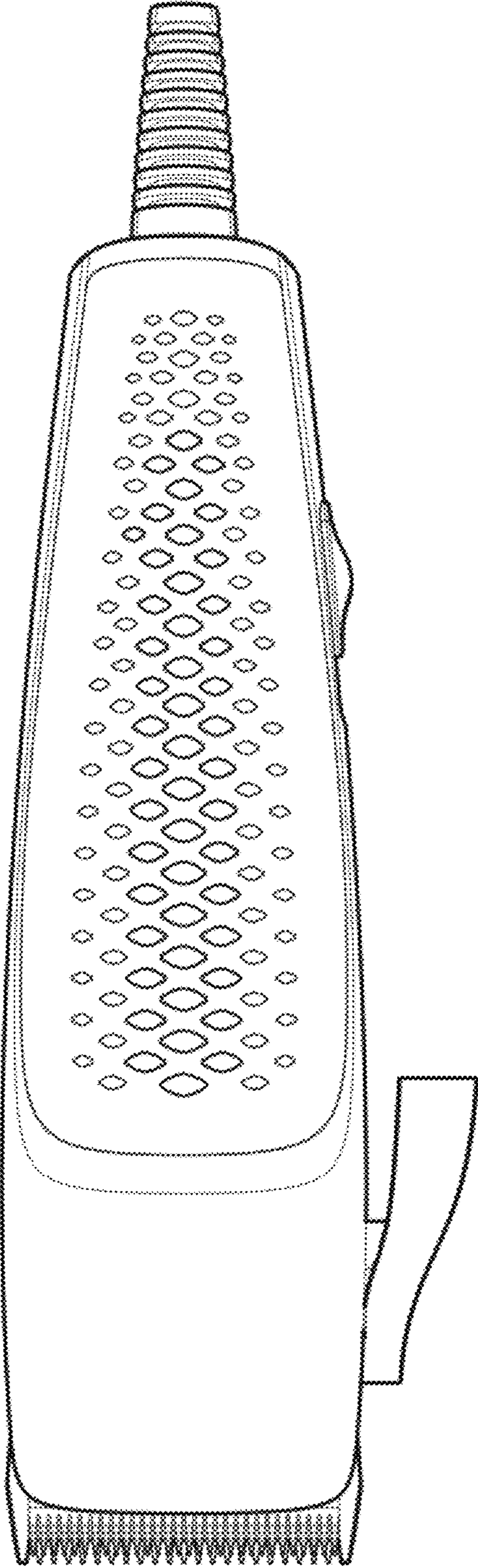
1.4



1.5



1.6



1.7

