



US00D820520S

(12) **United States Design Patent** (10) **Patent No.:** **US D820,520 S**
Kling (45) **Date of Patent:** **** Jun. 12, 2018**

(54) **EPILATOR**
(71) Applicant: **Braun GmbH**, Kronberg (DE)
(72) Inventor: **Björn Kling**, Glashuetten (DE)
(73) Assignee: **Braun GMBH**, Kronberg (DE)
(**) Term: **15 Years**
(21) Appl. No.: **29/570,940**
(22) Filed: **Jul. 13, 2016**

6,740,097 B1 5/2004 Sanchez-Martinez
D611,198 S 3/2010 Platek
D662,660 S 6/2012 Byun
8,574,242 B2 11/2013 Pfeiffer et al.
D764,706 S * 8/2016 Kling D28/44.1
D776,347 S * 1/2017 Grieshaber D28/44.1
2009/0172948 A1 7/2009 Kitamura
2010/0280528 A1 11/2010 Huisinga et al.
2010/0331795 A1 12/2010 Jung et al.
2011/0005079 A1 1/2011 Damaschke
2012/0022555 A1 1/2012 Sanchez-Martinez et al.
2012/0035621 A1 2/2012 Platek
2014/0025091 A1 1/2014 Yui

FOREIGN PATENT DOCUMENTS

Related U.S. Application Data
(62) Division of application No. 29/511,975, filed on Dec. 16, 2014, now Pat. No. Des. 764,706.

EP 2719298 4/2014
JP 5242812 7/2013
WO WO 2010125533 11/2010

* cited by examiner

(30) **Foreign Application Priority Data**
Jul. 18, 2014 (WO) 827594001
(51) **LOC (11) Cl.** **28-03**
(52) **U.S. Cl.**
USPC **D28/44.1**
(58) **Field of Classification Search**
USPC D28/44, 44.1, 49, 51, 53, 58, 59
CPC B26B 19/00–19/107; A45D
2026/008–2026/0095; A45D
26/0042–26/0052; A45D 26/0057; A45D
26/0061; A45D 26/0004; A45D 26/0023;
A45D 26/0028; A45D 26/0033; A45D
26/0038; A45D 2200/1054; A61B 17/54
See application file for complete search history.

Primary Examiner — Jennifer Rivard
(74) *Attorney, Agent, or Firm* — Ronald T. Sia; Kevin C. Johnson; Steven W. Miller

(57) **CLAIM**

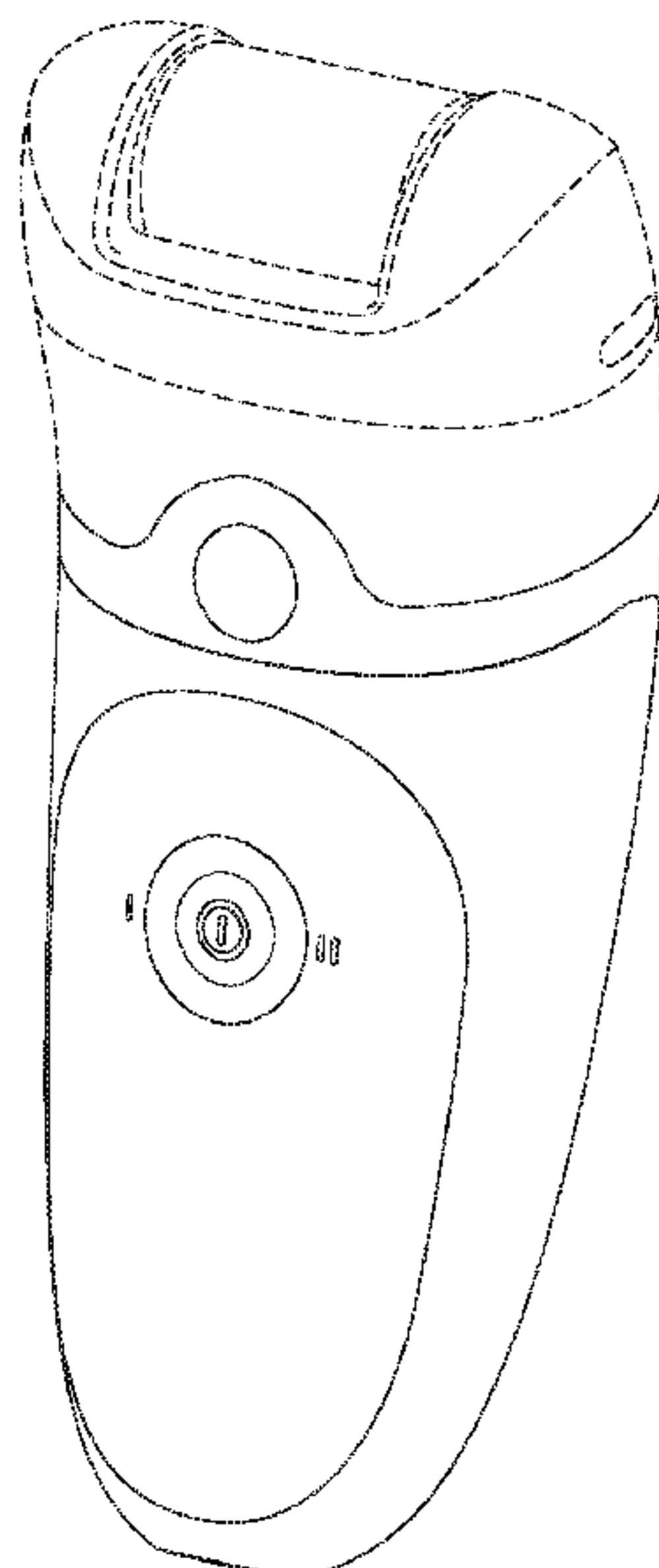
The ornamental design for an epilator, as shown and described.

DESCRIPTION

FIG. 1 is a perspective view of an epilator;
FIG. 2 is a front view thereof;
FIG. 3 is a right side view thereof;
FIG. 4 is a rear view thereof;
FIG. 5 is a left side view thereof;
FIG. 6 is a top plan view thereof; and,
FIG. 7 is a bottom plan view thereof.
The broken lines illustrate portions of the epilator and form no part of the claimed design.

(56) **References Cited**
U.S. PATENT DOCUMENTS
D376,010 S 11/1996 Kip
6,520,970 B1 2/2003 Sanchez-Martinez

1 Claim, 6 Drawing Sheets



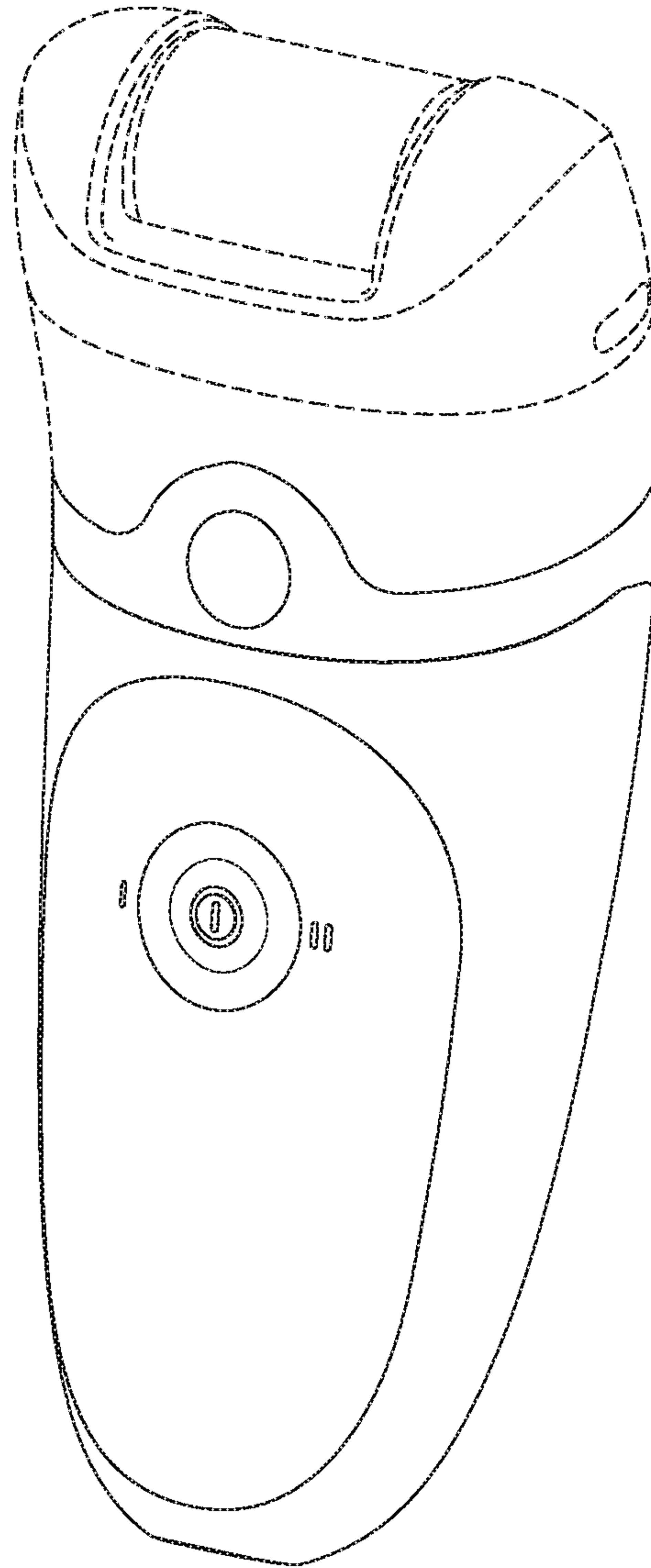


FIG. 1

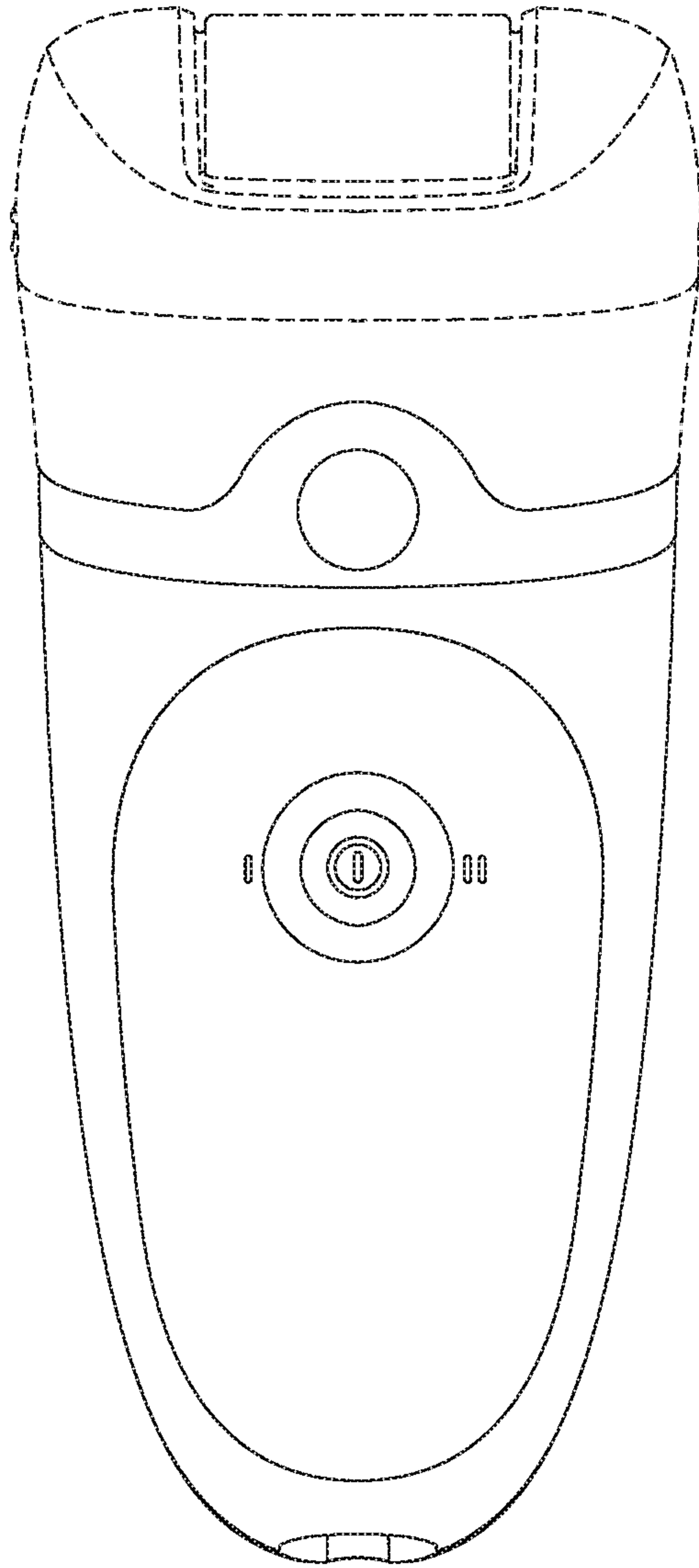


FIG. 2

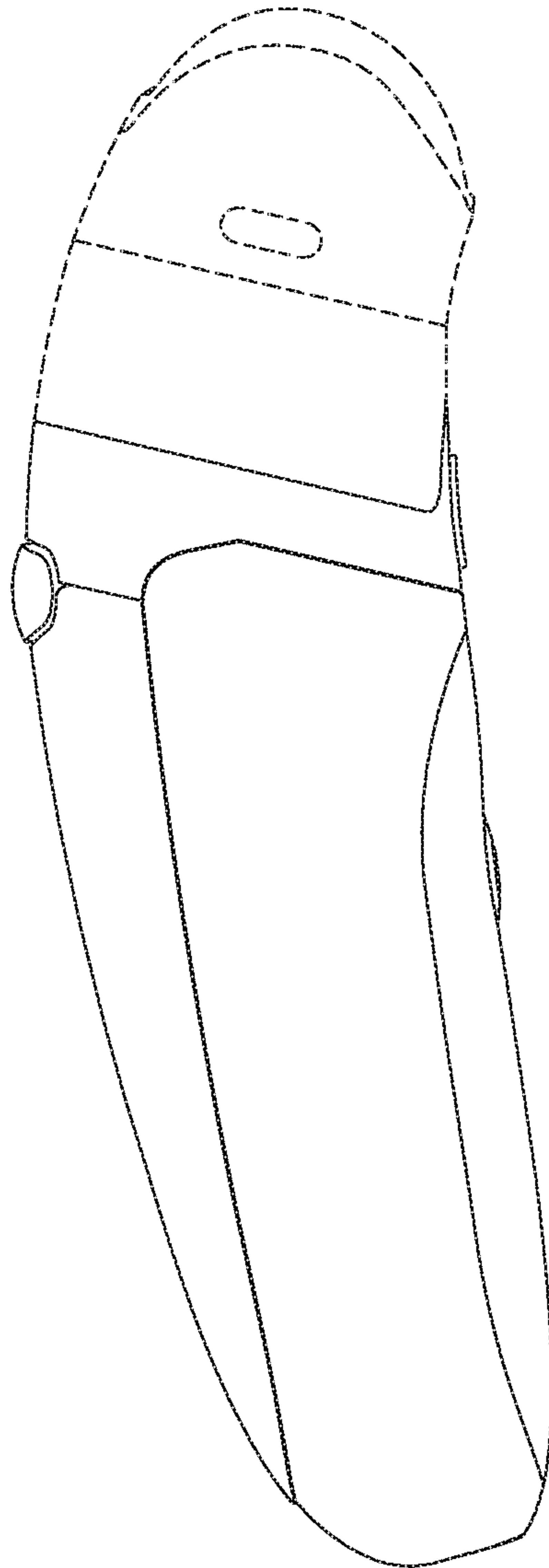


FIG. 3

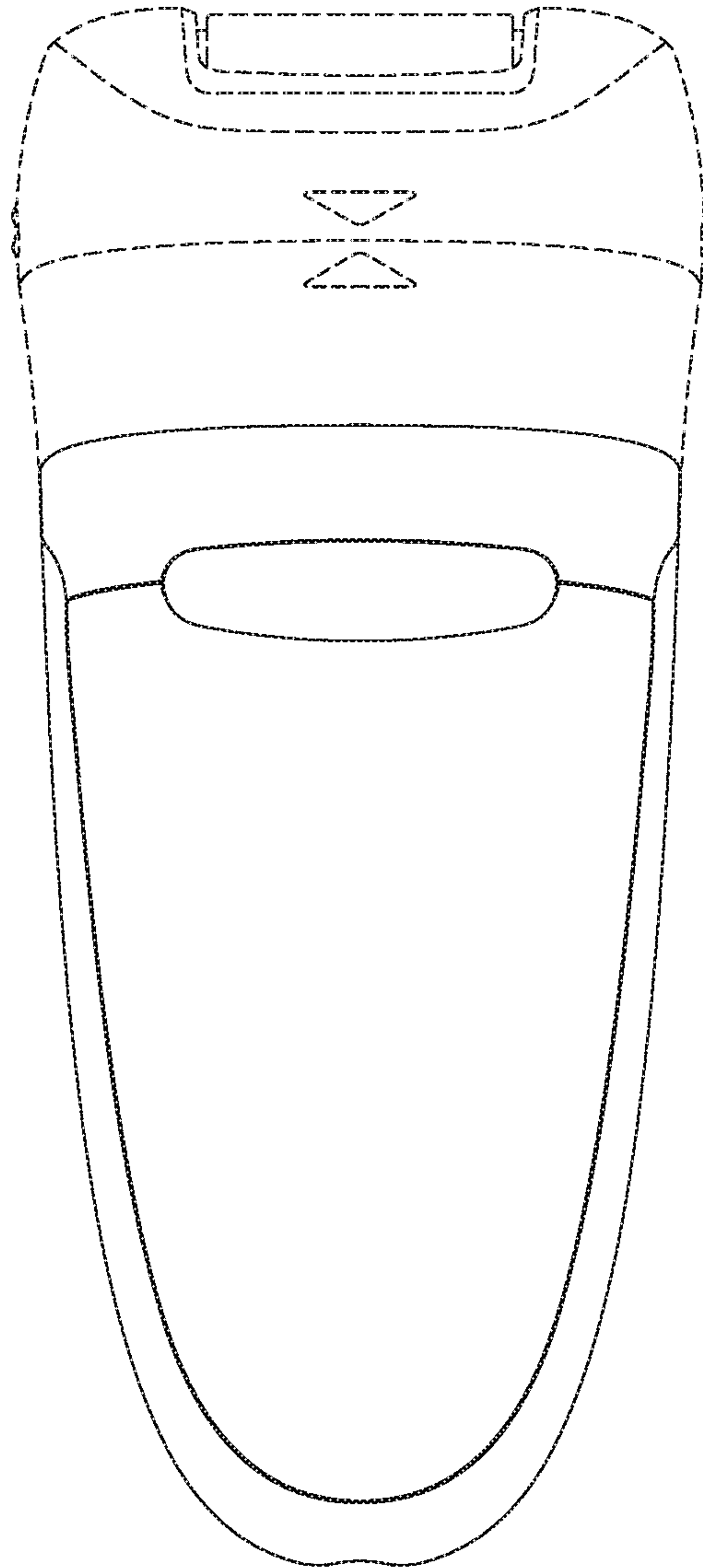


FIG. 4

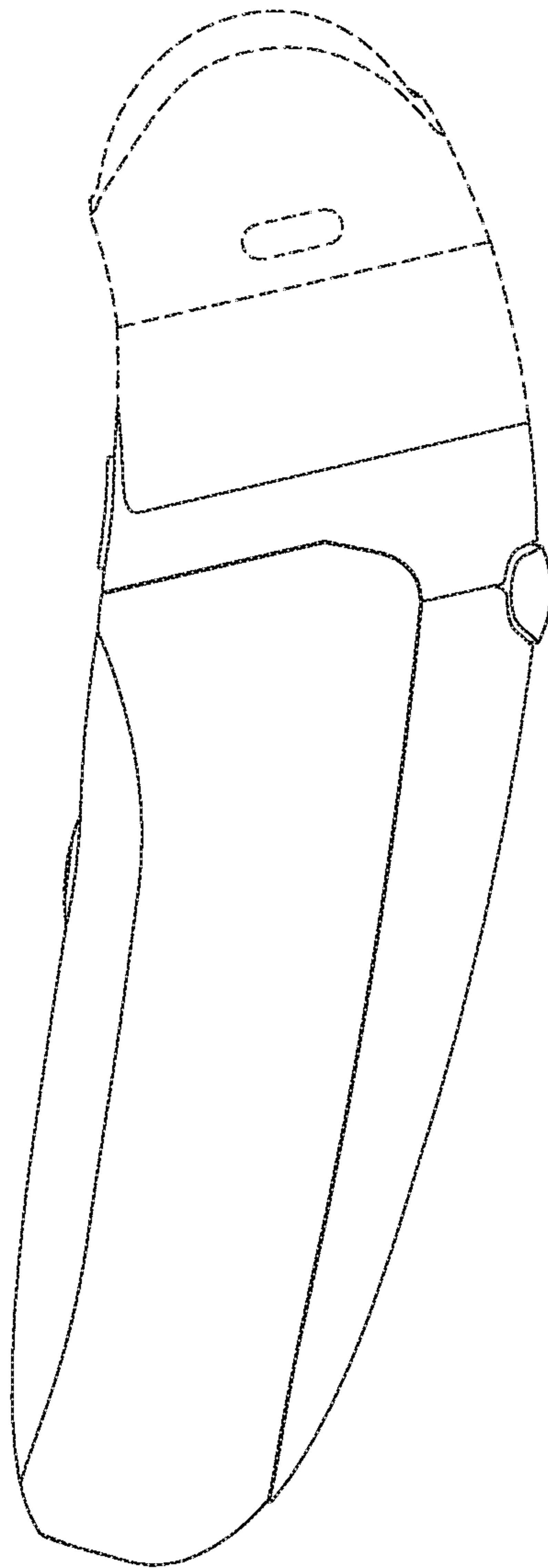


FIG. 5

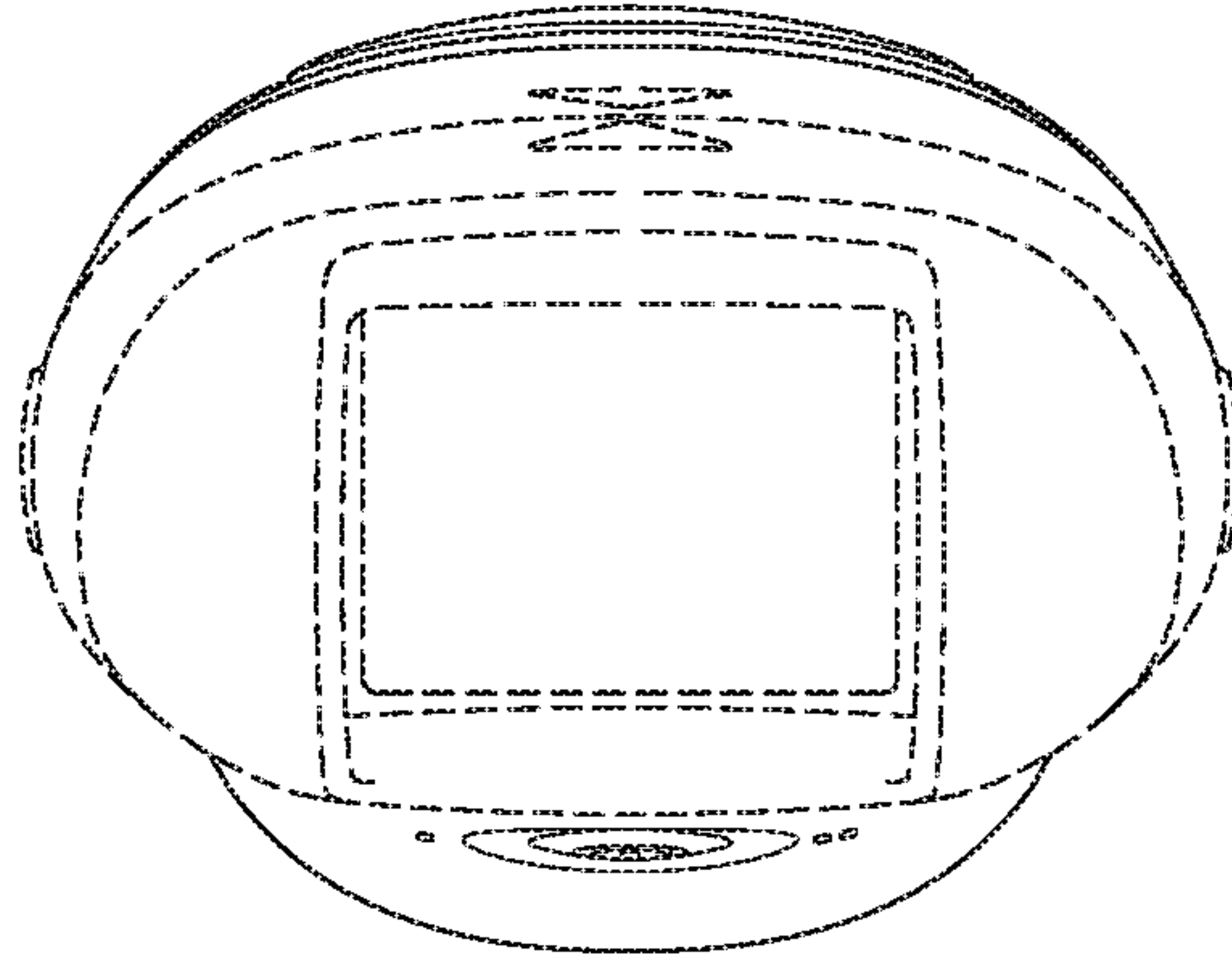


FIG. 6

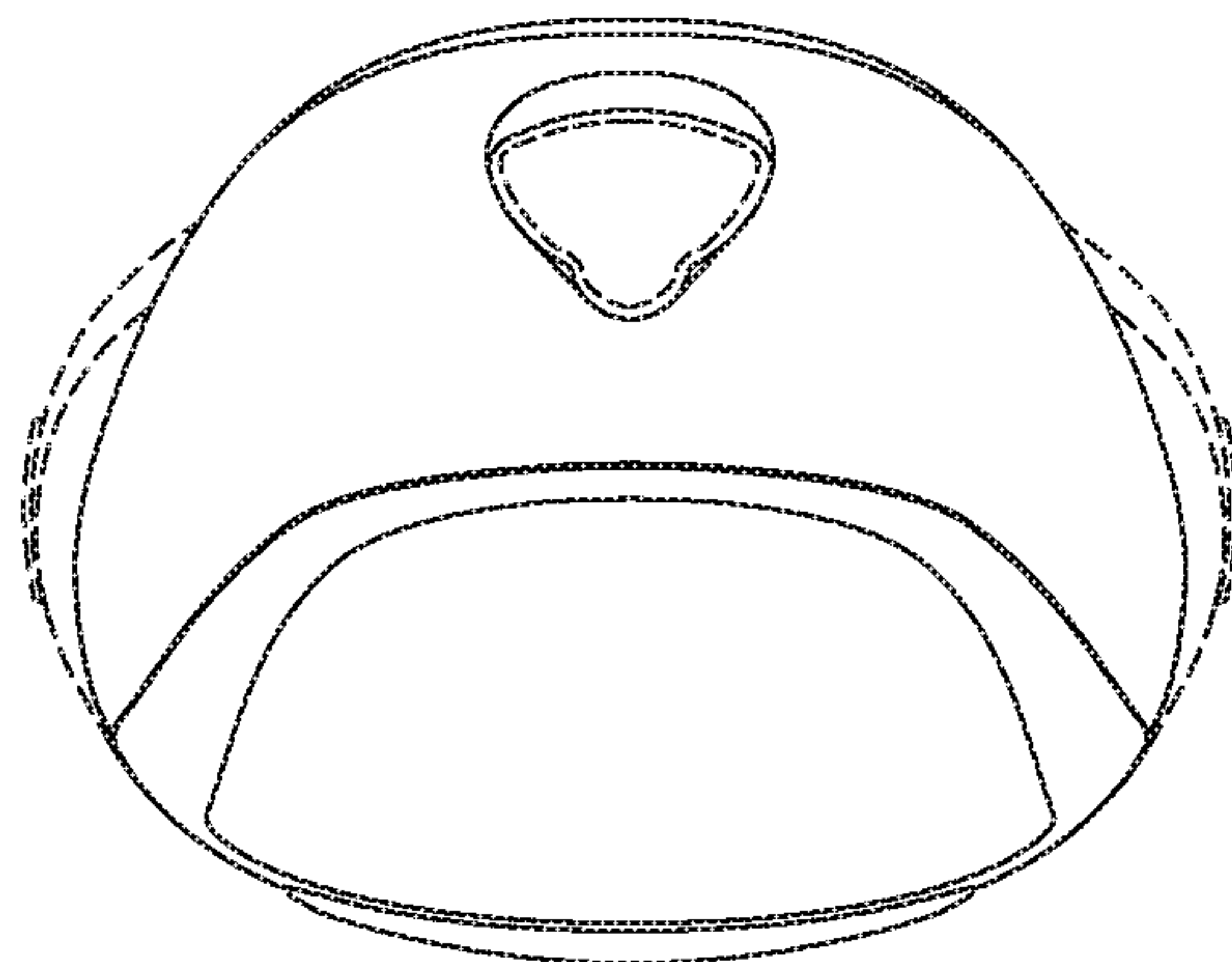


FIG. 7