

US00D820516S

(12) **United States Design Patent** (10) **Patent No.:** **US D820,516 S**
Swanson et al. (45) **Date of Patent:** **** *Jun. 12, 2018**

(54) **APPARATUS FOR FILLING AND PACKING PRE-FORMED CONICAL CIGARETTE WRAPPERS**

(71) Applicants: **David Swanson**, Grass Valley, CA (US); **Renee Marshall**, Grass Valley, CA (US)

(72) Inventors: **David Swanson**, Grass Valley, CA (US); **Renee Marshall**, Grass Valley, CA (US)

(*) Notice: This patent is subject to a terminal disclaimer.

(**) Term: **15 Years**

(21) Appl. No.: **29/552,024**

(22) Filed: **Jan. 19, 2016**

(51) **LOC (11) Cl.** **27-99**

(52) **U.S. Cl.**
USPC **D27/196**

(58) **Field of Classification Search**
USPC D27/101, 102, 136, 162, 163, 167, 194, D27/196
CPC A24F 9/00; A24F 9/02; A24F 9/04; A24F 9/06; A24F 9/08; A24F 9/10; A24F 9/12; A24F 13/18

See application file for complete search history.

(56) **References Cited**

U.S. PATENT DOCUMENTS

- 400,966 A * 4/1889 Strachan A24F 9/02
131/243
- D48,861 S * 4/1916 Gleim D27/196
- D270,953 S * 10/1983 Langtry D27/196
- D336,094 S * 6/1993 Dejanon D15/138
- D634,325 S * 3/2011 Naulapaa D14/411
- D736,994 S * 8/2015 Mittersinker D27/101
- D750,320 S * 2/2016 Verleur A24F 47/008
D27/101
- D752,278 S * 3/2016 Verleur D13/103

- D753,874 S * 4/2016 Moreno Medina D27/101
- D757,352 S * 5/2016 Bagai D27/101
- D757,994 S * 5/2016 Moradian D27/101
- D761,998 S * 7/2016 Pinder D27/101
- D773,729 S * 12/2016 Jordan D27/194
- D776,869 S * 1/2017 Heidl D27/163
- D779,719 S * 2/2017 Qiu D27/101
- D779,722 S * 2/2017 Volodarsky D27/162
- D782,728 S * 3/2017 Pinder D27/101
- D782,729 S * 3/2017 Wright D27/101
- 2014/0026903 A1* 1/2014 Haider A24F 7/00
131/229
- 2015/0164141 A1* 6/2015 Newton H01M 2/1055
131/329

* cited by examiner

Primary Examiner — Eric Goodman

Assistant Examiner — Jennifer Wright

(74) *Attorney, Agent, or Firm* — Craig M. Stainbrook;
Stainbrook & Stainbrook, LLP

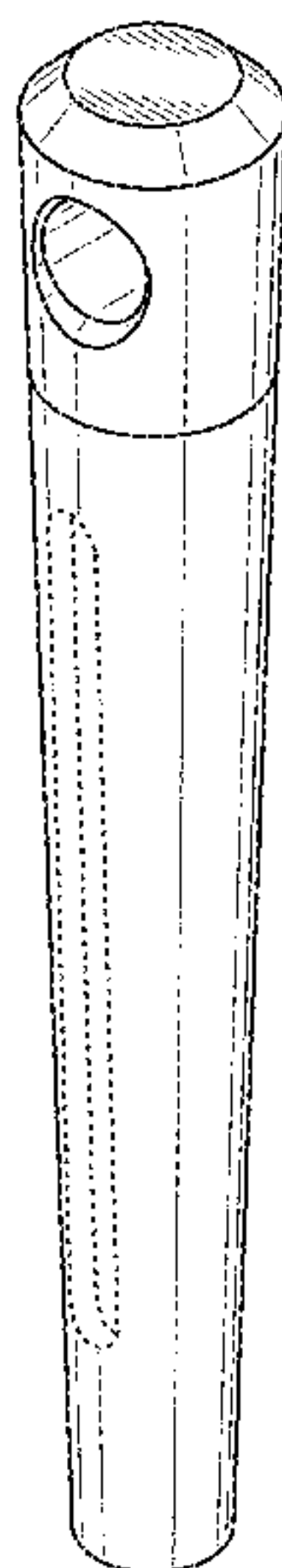
(57) **CLAIM**

The ornamental design for an apparatus for filling and packing pre-formed conical cigarette wrappers, as shown and described.

DESCRIPTION

FIG. 1 is a top front right view of our design;
FIG. 2 is a front elevational view of our design;
FIG. 3 is a right side elevational view of our design, the left side is a mirror image thereof;
FIG. 4 is a rear elevational view of our design;
FIG. 5 is a top plan view of our design;
FIG. 6 is a bottom plan view of our design; and,
FIG. 7 is an exploded front elevational view of our design for apparatus for filling and packing pre-formed conical cigarette wrappers.
Dashed lines represent unclaimed environment and form no part of the claimed design.

1 Claim, 2 Drawing Sheets



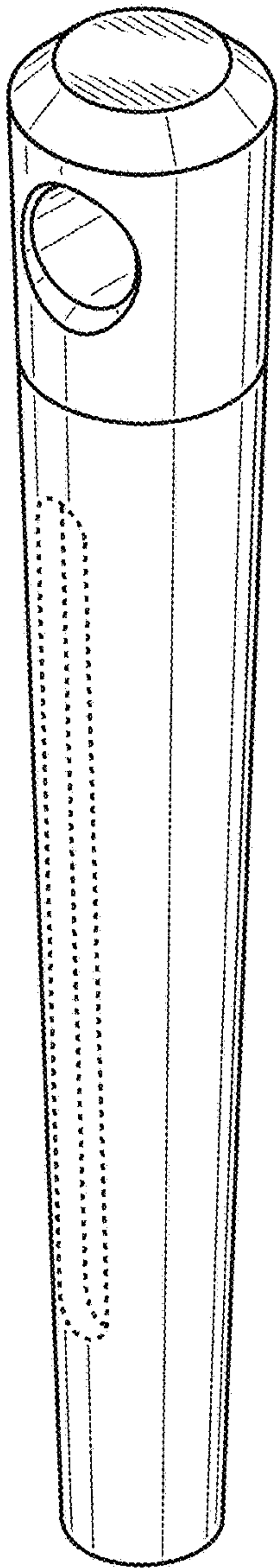


FIG. 1

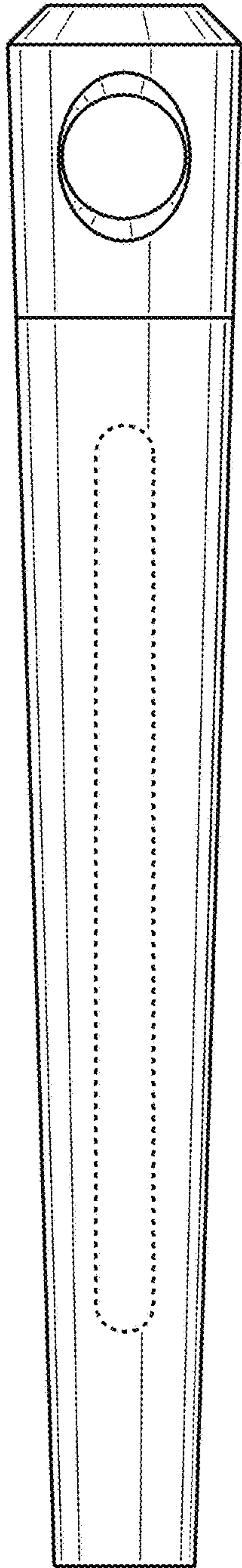


FIG. 2

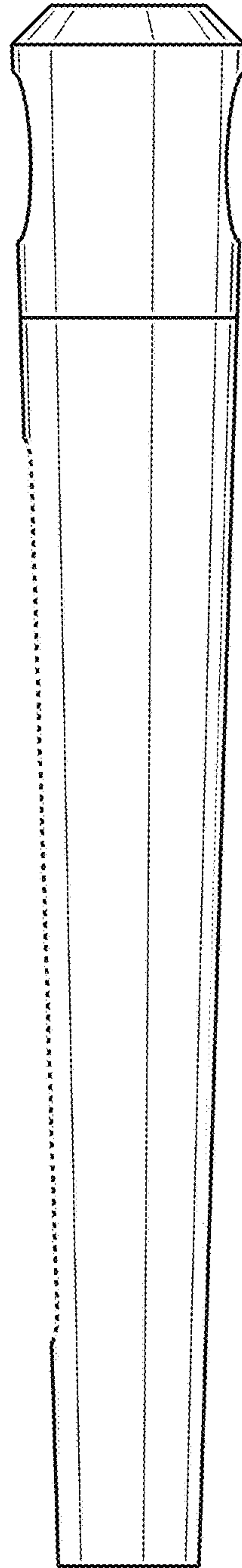


FIG. 3

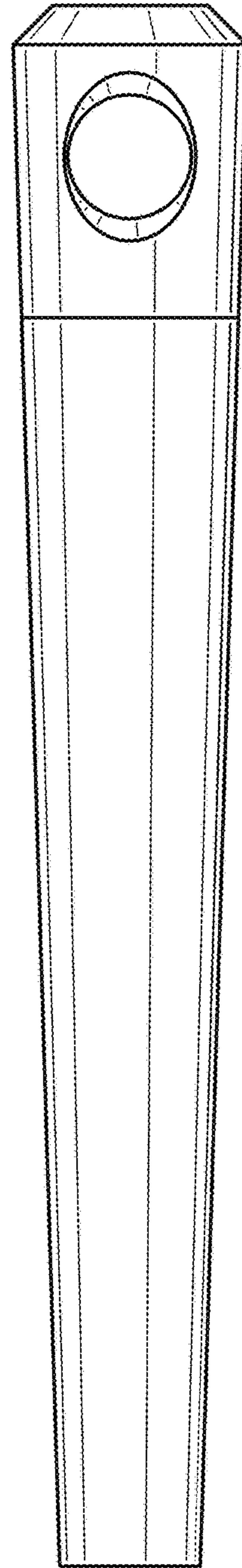


FIG. 4

FIG. 5

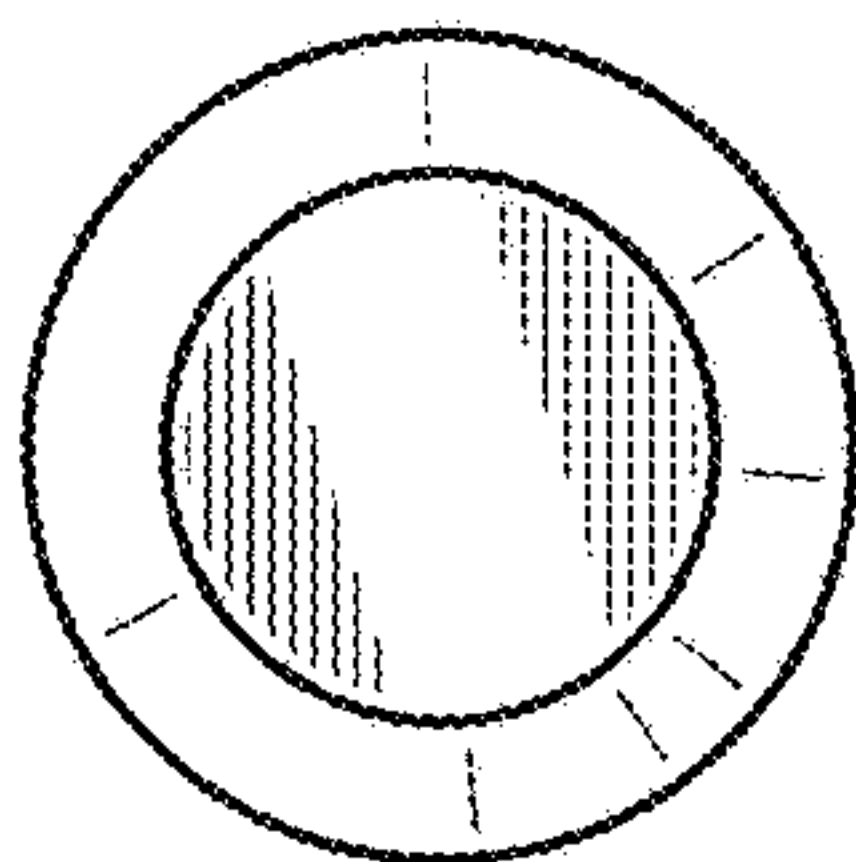
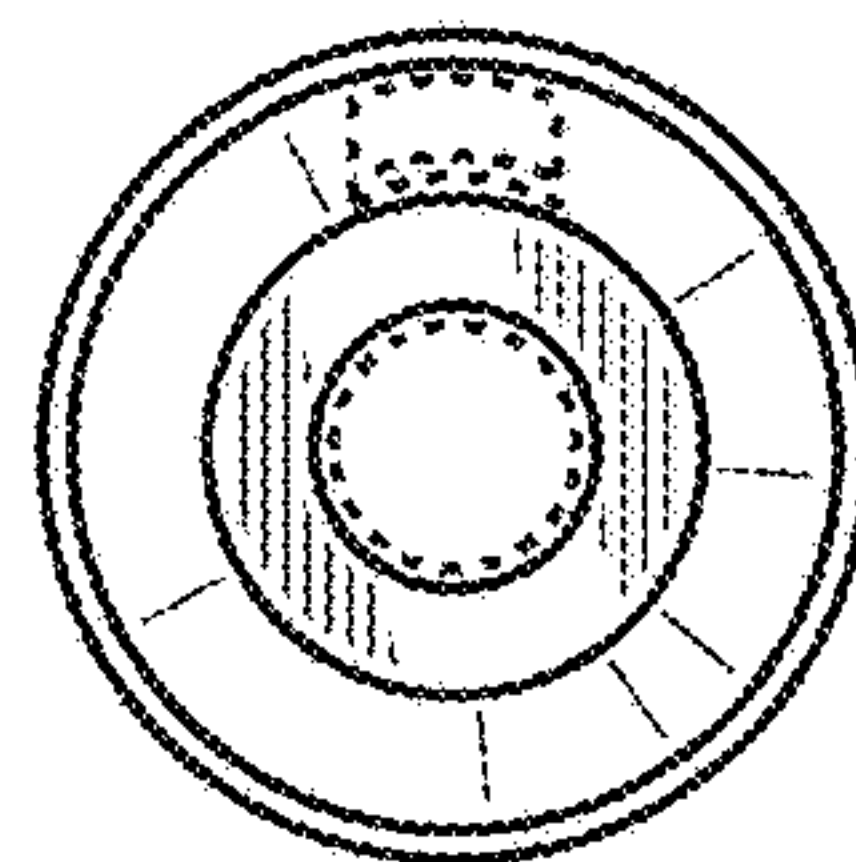


FIG. 6



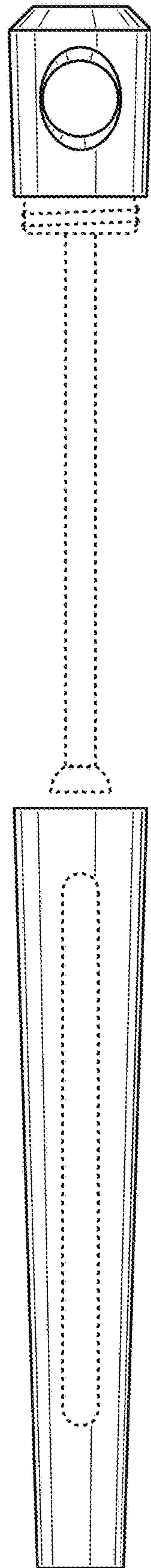


FIG. 7