

US00D820515S

(12) **United States Design Patent** (10) **Patent No.:** **US D820,515 S**
Nettenstrom et al. (45) **Date of Patent:** **** Jun. 12, 2018**

(54) **MOUTHPIECE FOR ELECTRONIC CIGARETTE CARTOMIZER**

FOREIGN PATENT DOCUMENTS

(71) Applicant: **Nicoventures Holdings Limited**,
London (GB)

CN 300865525 9/2007
CN 301347038 S 12/2009
(Continued)

(72) Inventors: **Matthew Joel Nettenstrom**, Oakbrook Terrace, IL (US); **Steven Michael Schennum**, Oakbrook Terrace, IL (US); **Thomas Michael McKeon**, Oakbrook Terrace, IL (US); **Justin Banker Peart**, Oakbrook Terrace, IL (US); **Jeremy Wright**, London (GB)

OTHER PUBLICATIONS

Russian Decision to Grant, Application No. 2017500184/49, dated Aug. 28, 2017, 4 pages.

(Continued)

(73) Assignee: **NICOVENTURES HOLDINGS LIMITED**, London (GB)

Primary Examiner — Robert M. Spear
Assistant Examiner — Marissa J Cash
(74) *Attorney, Agent, or Firm* — Patterson Thuent Pedersen, P.A.

(**) Term: **15 Years**

(57) **CLAIM**

(21) Appl. No.: **29/590,640**

We claim the ornamental design for a mouthpiece for electronic cigarette cartomizer, as shown and described.

(22) Filed: **Jan. 12, 2017**

DESCRIPTION

(30) **Foreign Application Priority Data**

Jul. 15, 2016 (EM) 003308311

(51) **LOC (11) Cl.** **27-07**

(52) **U.S. Cl.**
USPC **D27/167**

(58) **Field of Classification Search**
USPC D27/100, 101, 162–170, 172–195
CPC A61M 15/06; A61M 11/042
See application file for complete search history.

FIG. 1 is a perspective view of a mouthpiece for electronic cigarette cartomizer according to an embodiment. FIG. 2 is a top view of the mouthpiece for electronic cigarette cartomizer of FIG. 1. FIG. 3 is a bottom view of the mouthpiece for electronic cigarette cartomizer of FIG. 1. FIG. 4 is a first side view of the mouthpiece for electronic cigarette cartomizer of FIG. 1. FIG. 5 is a second side view of the mouthpiece for electronic cigarette cartomizer of FIG. 1. FIG. 6 is a front view of the mouthpiece for electronic cigarette cartomizer of FIG. 1; and, FIG. 7 is a back view of the mouthpiece for electronic cigarette cartomizer of FIG. 1. Items shown in broken lines are for illustrative purposes only and form no part of the claimed invention.

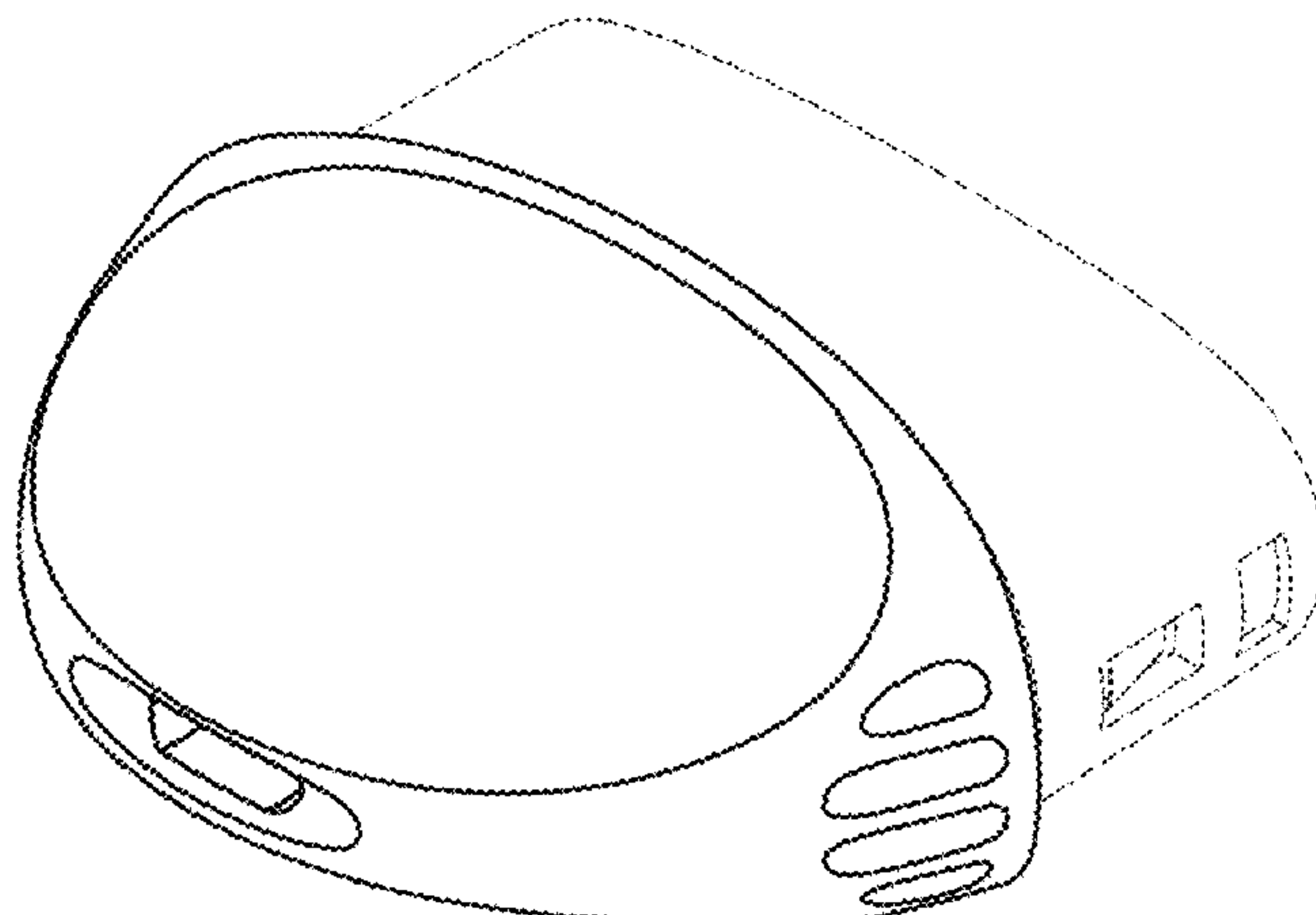
(56) **References Cited**

U.S. PATENT DOCUMENTS

D503,996 S * 4/2005 Mabbutt D27/192
D504,947 S 5/2005 McAuley
D514,222 S 1/2006 Anderson
D518,171 S 3/2006 Anderson

(Continued)

1 Claim, 3 Drawing Sheets



(56)

References Cited

U.S. PATENT DOCUMENTS

D560,793 S	1/2008	Pearl	
D569,967 S	5/2008	Pearl	
D577,815 S	9/2008	Gokhale	
D579,544 S	10/2008	Birath	
D579,545 S	10/2008	Birath	
D579,546 S	10/2008	Birath	
D579,547 S	10/2008	Birath	
D579,548 S	10/2008	Birath	
D579,549 S	10/2008	Birath	
D579,550 S	10/2008	Birath	
D583,463 S	12/2008	Wood	
D591,856 S	5/2009	Lulla	
D613,848 S	4/2010	Harvey	
D614,285 S	4/2010	Birath	
D629,886 S	12/2010	Adamo	
D637,280 S	5/2011	Harvey	
D637,281 S	5/2011	Harvey	
D637,282 S	5/2011	Harvey	
D639,414 S *	6/2011	Berndt	D23/366
D641,076 S	7/2011	Grunstad	
D659,236 S	5/2012	Bobjer	
D670,374 S	11/2012	Bobjer	
D671,207 S	11/2012	Bobjer	
D684,254 S	6/2013	Zuyderhoudt	
D684,684 S	6/2013	Grunstad	
D700,227 S *	2/2014	Kile	D15/150
D711,528 S	8/2014	Grunstad	
D717,425 S	11/2014	Schuckmann	
D726,364 S *	4/2015	Weigensberg	D27/101
D726,955 S *	4/2015	Martin	D27/172
D737,426 S	8/2015	Nakamura	
D745,660 S	12/2015	Gruntad	
D761,488 S *	7/2016	Alarcon	D27/135
D770,088 S *	10/2016	Abadi	D27/167
D782,109 S *	3/2017	King	D27/195
D790,767 S *	6/2017	Rush	D27/168
D799,750 S *	10/2017	Parcevaux	D27/194

FOREIGN PATENT DOCUMENTS

CN	301433957 S	6/2010
CN	302012774 S	3/2012
CN	302926278 S	1/2014
CN	303417607 S	5/2015
CN	303417611 S	6/2015
CN	303442703 S	6/2015
CN	303470028 S	7/2015
CN	303535276 S	6/2016
DE	M9510298-0001	9/1996
DE	M9607285-0001	4/1997
DE	M9607285-0002	4/1997
DE	40003909-0001	8/2000
DE	40200303-0001	8/2002
DE	M9607285-0003	3/2016
EM	000736962-0002	6/2007
EM	000736962-0003	6/2007
EM	000736962-0004	6/2007
EM	000736962-0005	6/2007
EM	000736962-0006	6/2007
EM	000736962-0007	6/2007
EM	000736962-0008	6/2007
EM	000861141-0001	1/2008

EM	001323307-0007	1/2008
EM	001510587-0001	5/2009
EM	001510587-0002	5/2009
EM	001323307-0008	4/2012
EM	001323307-0009	4/2012
EM	001323307-0010	4/2012
EM	001323307-0011	4/2012
EM	001323307-0012	4/2012
EM	002429696-0003	3/2014
EM	002429696-0004	3/2014
EM	001415780-0001	7/2014
EM	001415780-0002	7/2014
EM	001415780-0003	7/2014
EM	001415780-0004	7/2014
EM	001415780-0005	7/2014
EM	001415780-0006	7/2014
EM	001415780-0007	7/2014
EM	001415780-0008	7/2014
EM	001415780-0009	7/2014
EM	002696765-0003	5/2015
EM	002922864-0002	12/2015
FR	970852-009	8/1997
FR	983203-001	10/1998
FR	956833-001	1/1999
FR	001967-001	7/2000
FR	007595-001	4/2001
FR	007595-002	4/2001
FR	011038-001	5/2001
FR	011152-001	5/2001
FR	011154-001	5/2001
FR	20112549-0001	7/2011
FR	20112712-0001	7/2011
FR	20112712-0002	7/2011
FR	20112712-0003	7/2011
FR	20124875-012	8/2013
GB	1029228	9/1985
GB	2048538	7/1995
GB	2055446	4/1996
GB	2075058	6/1998
GB	2093858	6/2000
GB	2093859	6/2000
GB	4020185	5/2011
IT	1993MIO000128-0003	3/1993
IT	2000TOO000235-0001	9/2000
IT	2000TOO000235-0003	9/2000
IT	2000TOO000235-0004	9/2000
IT	2000TOO000235-0006	9/2000
IT	2002TOO000214-0001	9/2002
IT	2002TOO000214-0002	9/2002
IT	2002TOO000214-0003	9/2002
IT	2002TOO000214-0004	9/2002
JP	D1575098	3/2017
WO	WO DM026445-1	6/1996
WO	WO	1/2017
	DM094223-0001	

OTHER PUBLICATIONS

Japanese Office Action, Application No. 2017-000313, dated Aug. 29, 2017, 2 pages.
 Application and Filing Receipt for U.S. Appl. No. 29/573,612, filed Aug. 8, 2016, Inventors: Nettenstrom et al.
 Japanese Notice of Allowance, Application No. 2017-000313, 3 pages, dated Dec. 19, 2017.

* cited by examiner

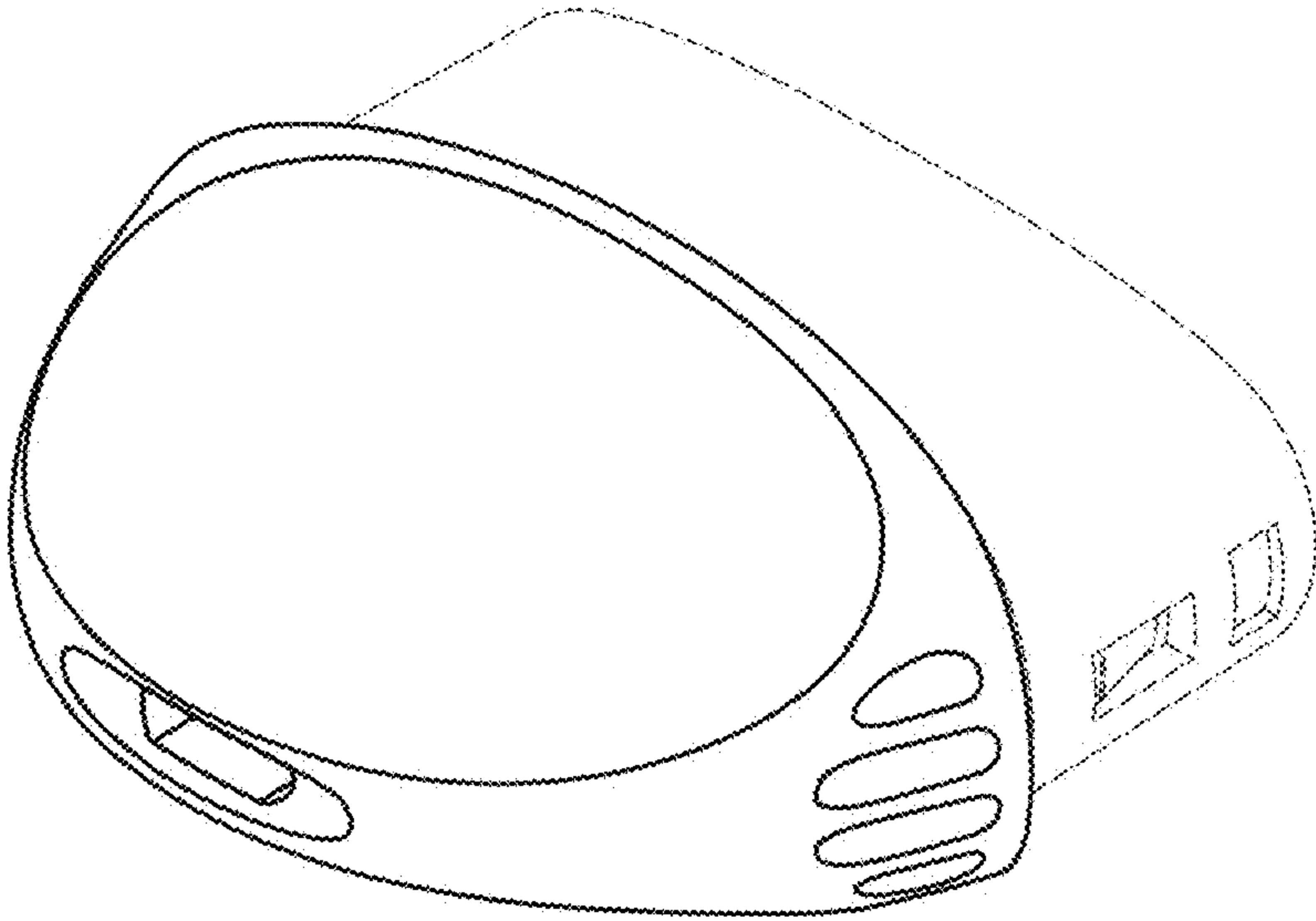


FIG. 1

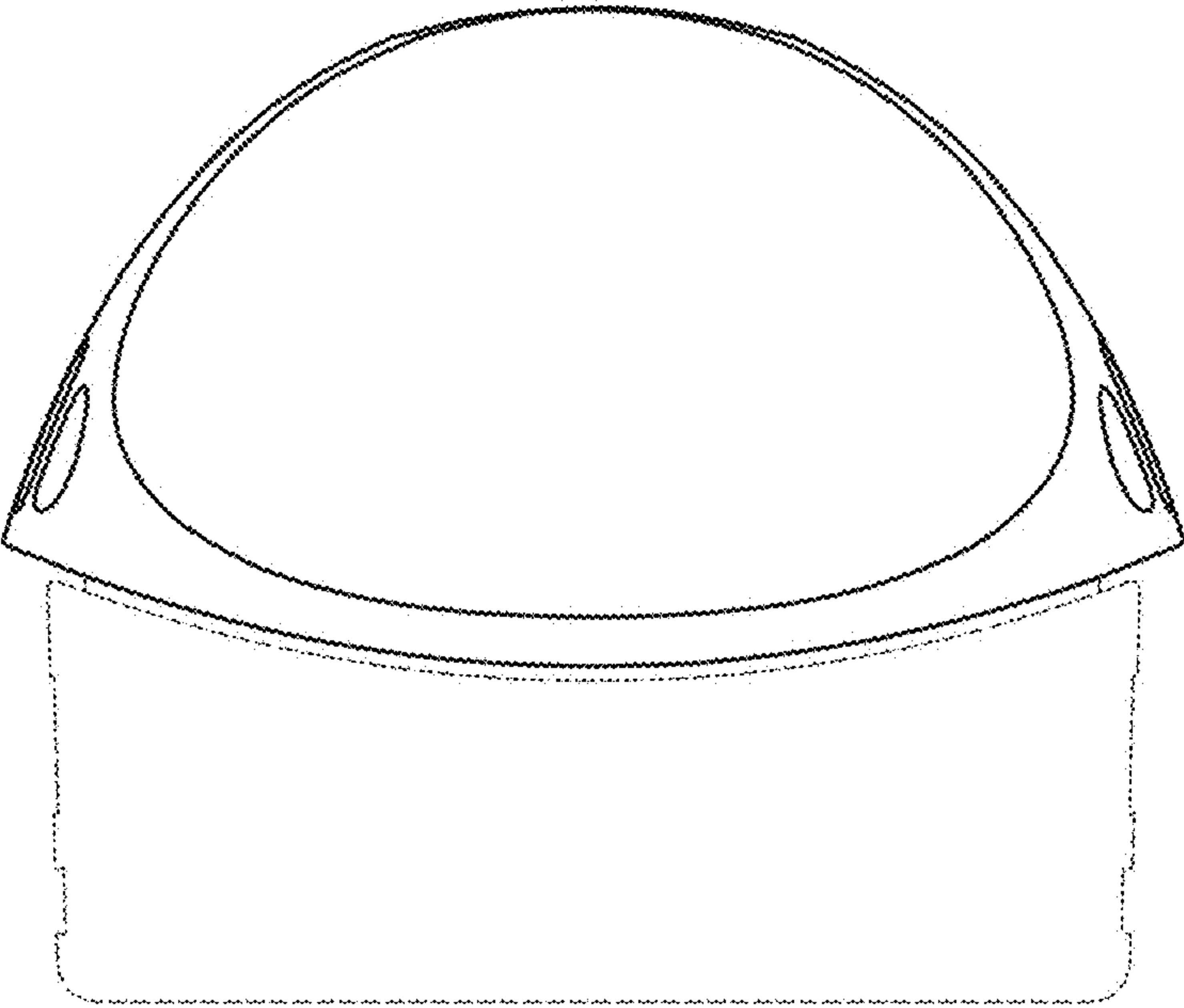


FIG. 2

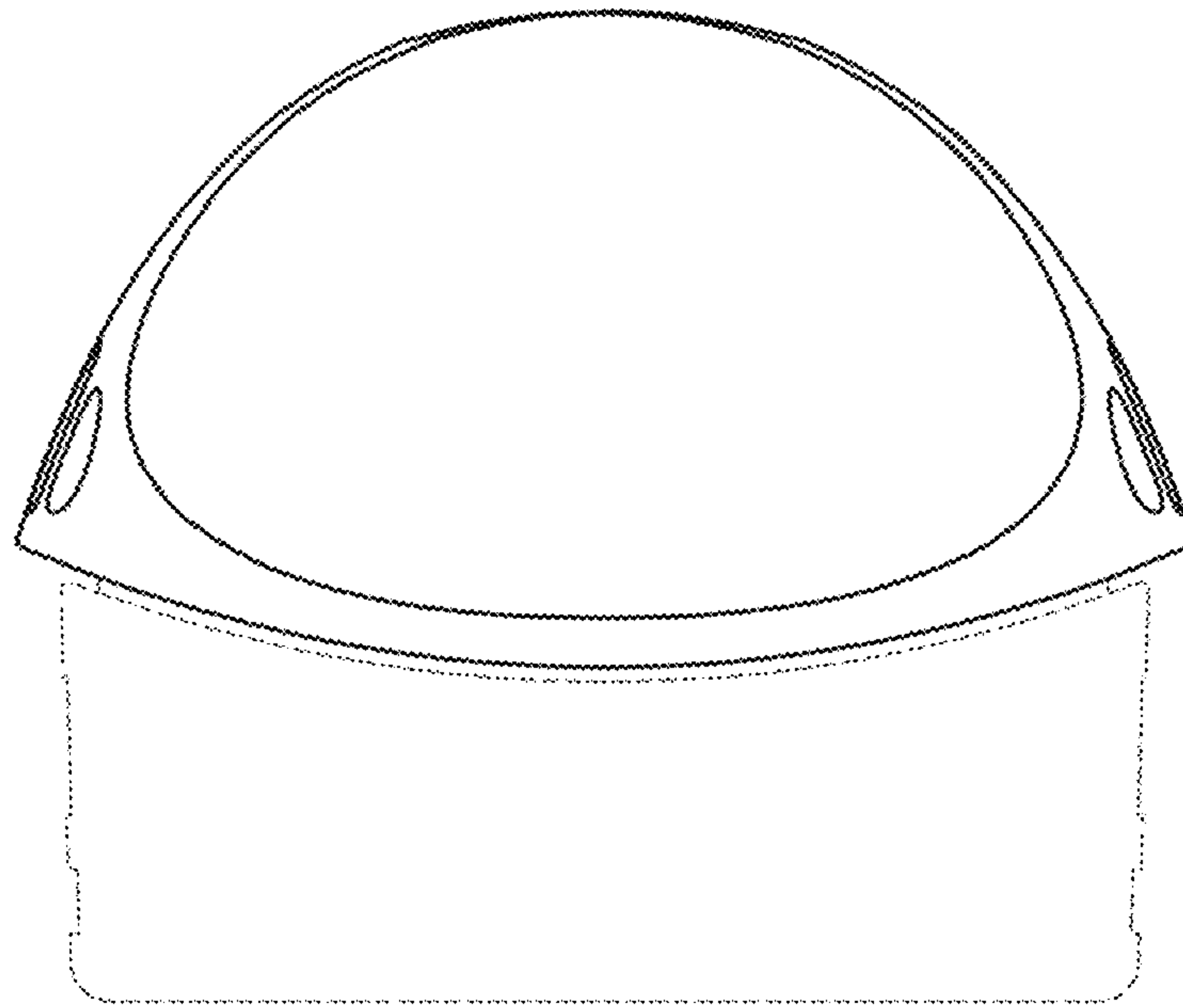


FIG. 3

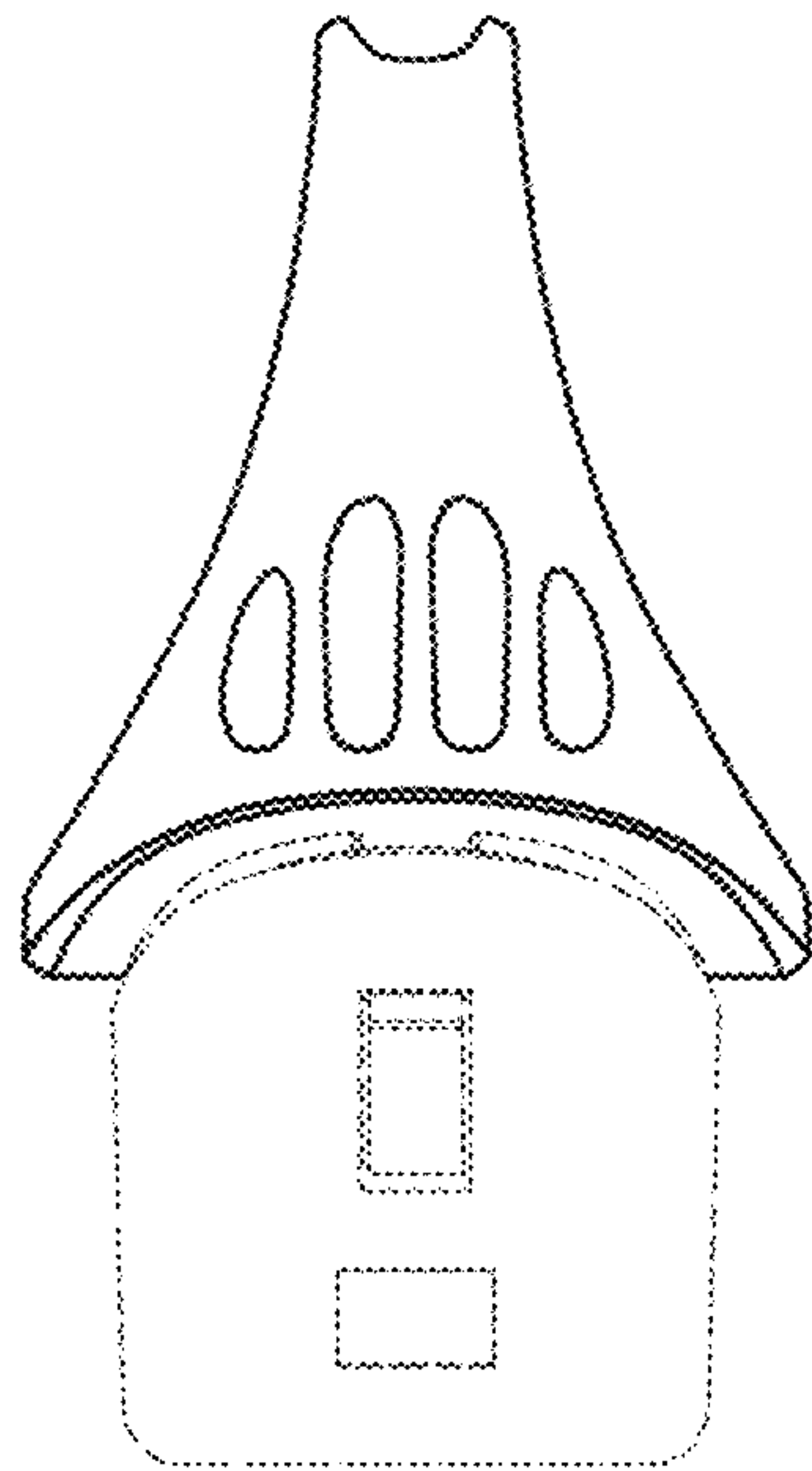


FIG. 4

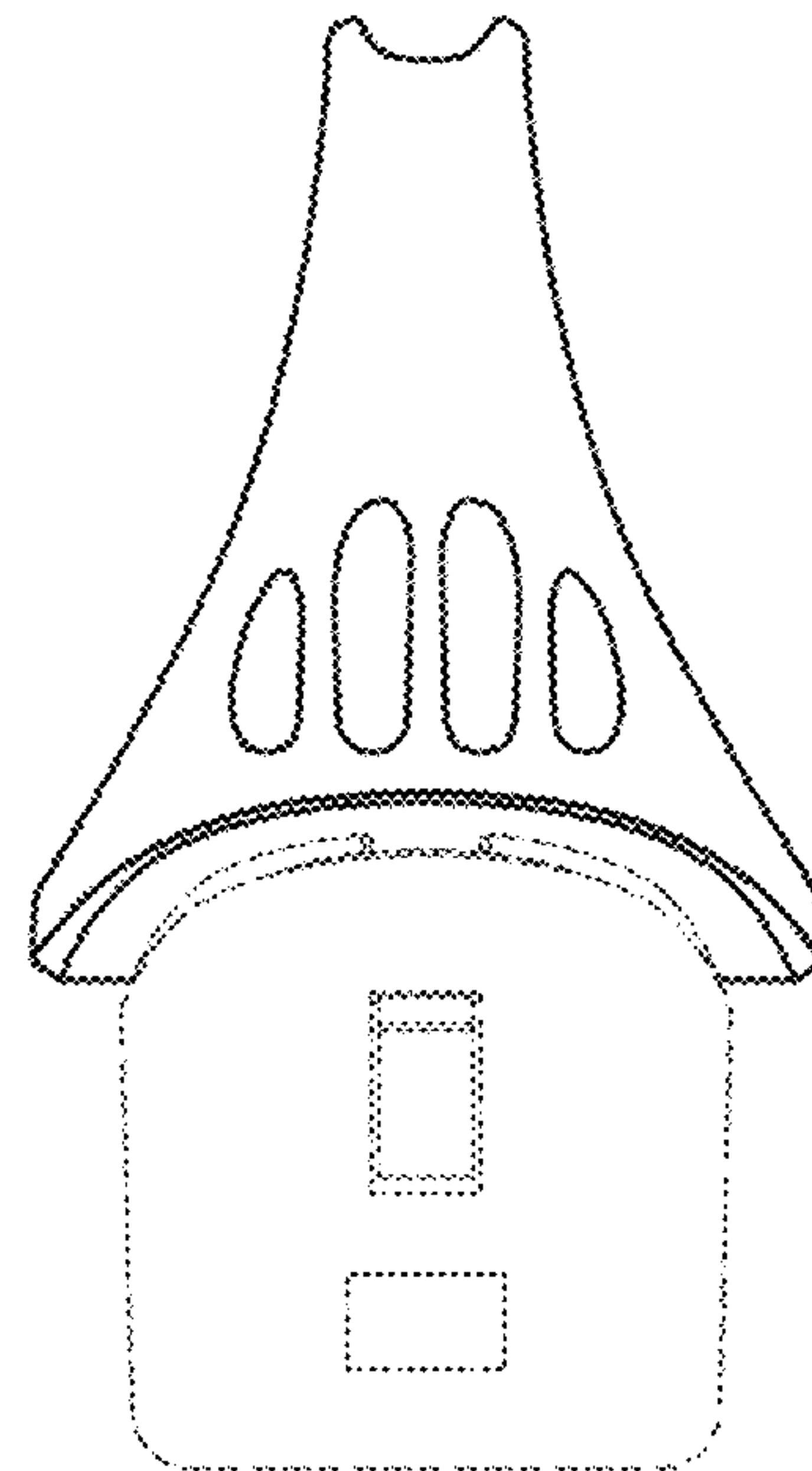


FIG. 5

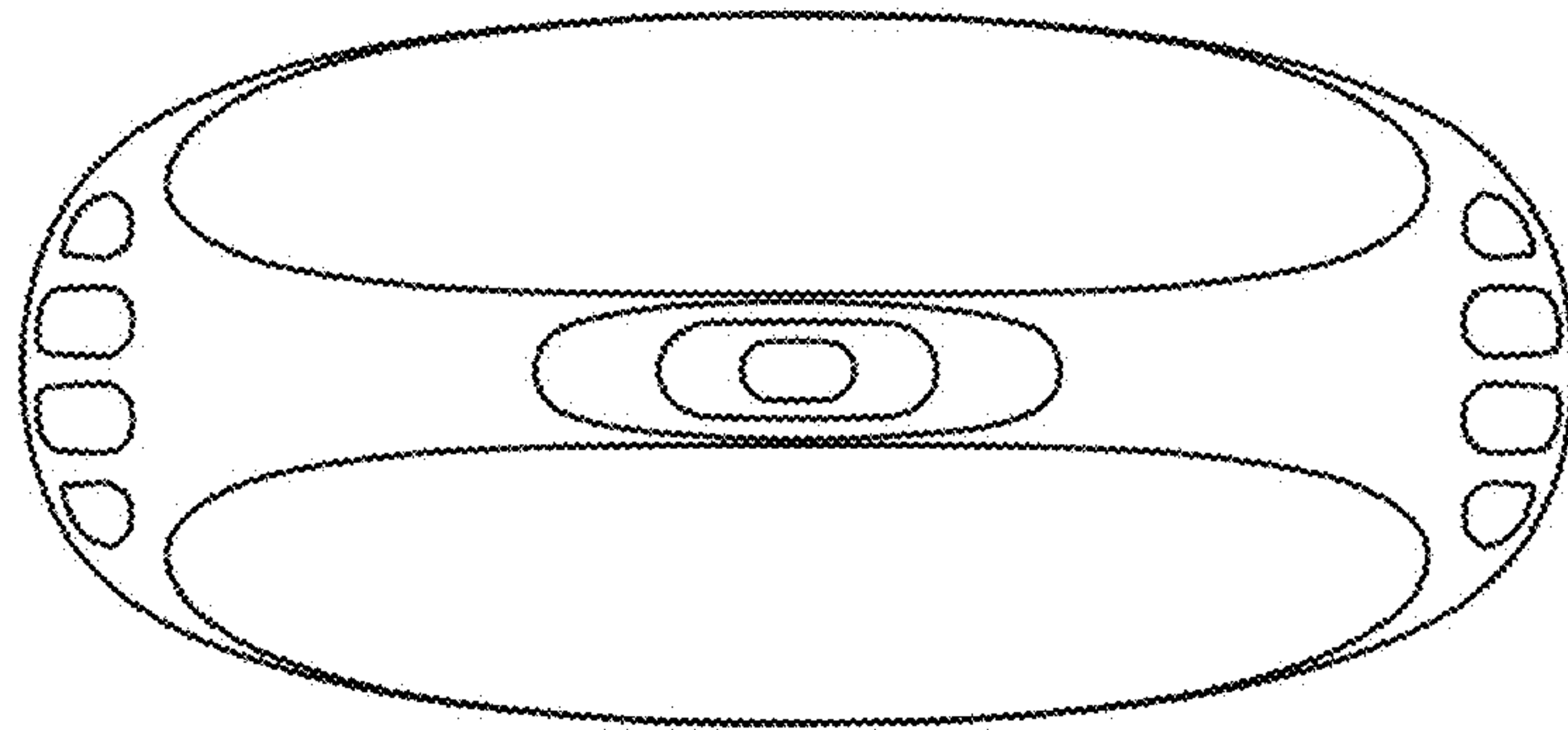


FIG. 6

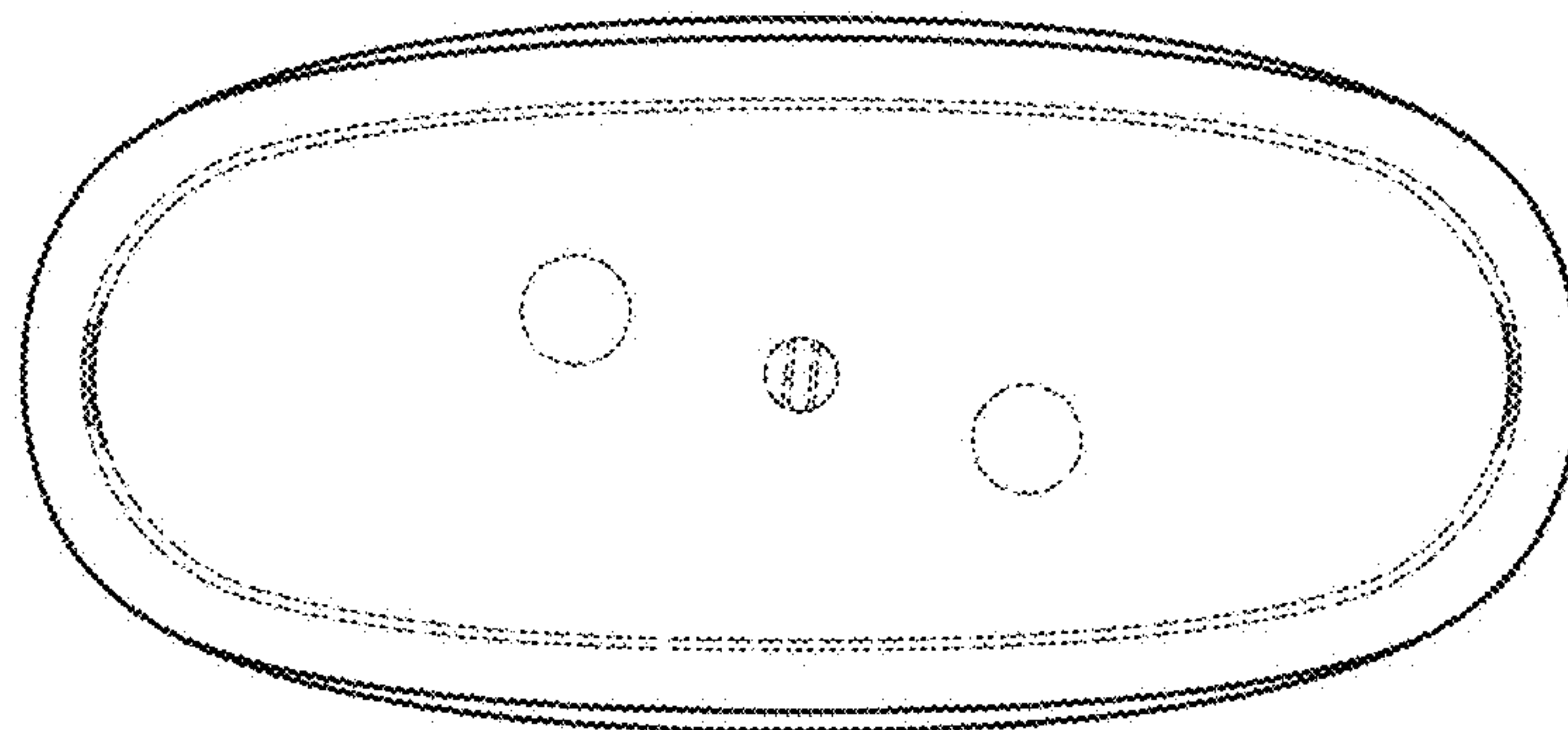


FIG. 7