



US00D820512S

(12) **United States Design Patent**
Santoro

(10) **Patent No.:** **US D820,512 S**
(45) **Date of Patent:** **** Jun. 12, 2018**

- (54) **LUMINAIRE HUB**
- (71) Applicant: **Fluxwerx Illumination Inc.**, Surrey (CA)
- (72) Inventor: **Scott Santoro**, Delta (CA)
- (73) Assignee: **Fluxwerx Illumination Inc.**, Surrey (CA)
- (**) Term: **15 Years**
- (21) Appl. No.: **29/592,822**
- (22) Filed: **Feb. 2, 2017**
- (51) **LOC (11) Cl.** **26-05**
- (52) **U.S. Cl.**
USPC **D26/142**
- (58) **Field of Classification Search**
USPC D26/25, 31, 35, 36, 28, 67, 71, 83, 118,
D26/37, 41, 113, 138, 120, 121, 122;
D14/230; D17/20
CPC F21S 4/00; F21S 4/003; F21S 4/006; F21S
8/00; F21S 8/024; F21S 8/026
See application file for complete search history.

D800,957 S * 10/2017 Eder D26/138
9,786,825 B2 * 10/2017 Hussell H01L 33/60
2003/0210551 A1 * 11/2003 Sevack F21S 8/02
362/365
2012/0176799 A1 * 7/2012 Burguburu F21S 8/026
362/296.01

* cited by examiner

Primary Examiner — John Windmuller
Assistant Examiner — Benjamin M Weeks
(74) *Attorney, Agent, or Firm* — Oyen Wiggs Green & Mutala LLP

(57) **CLAIM**

The ornamental design for a luminaire hub, as shown and described.

DESCRIPTION

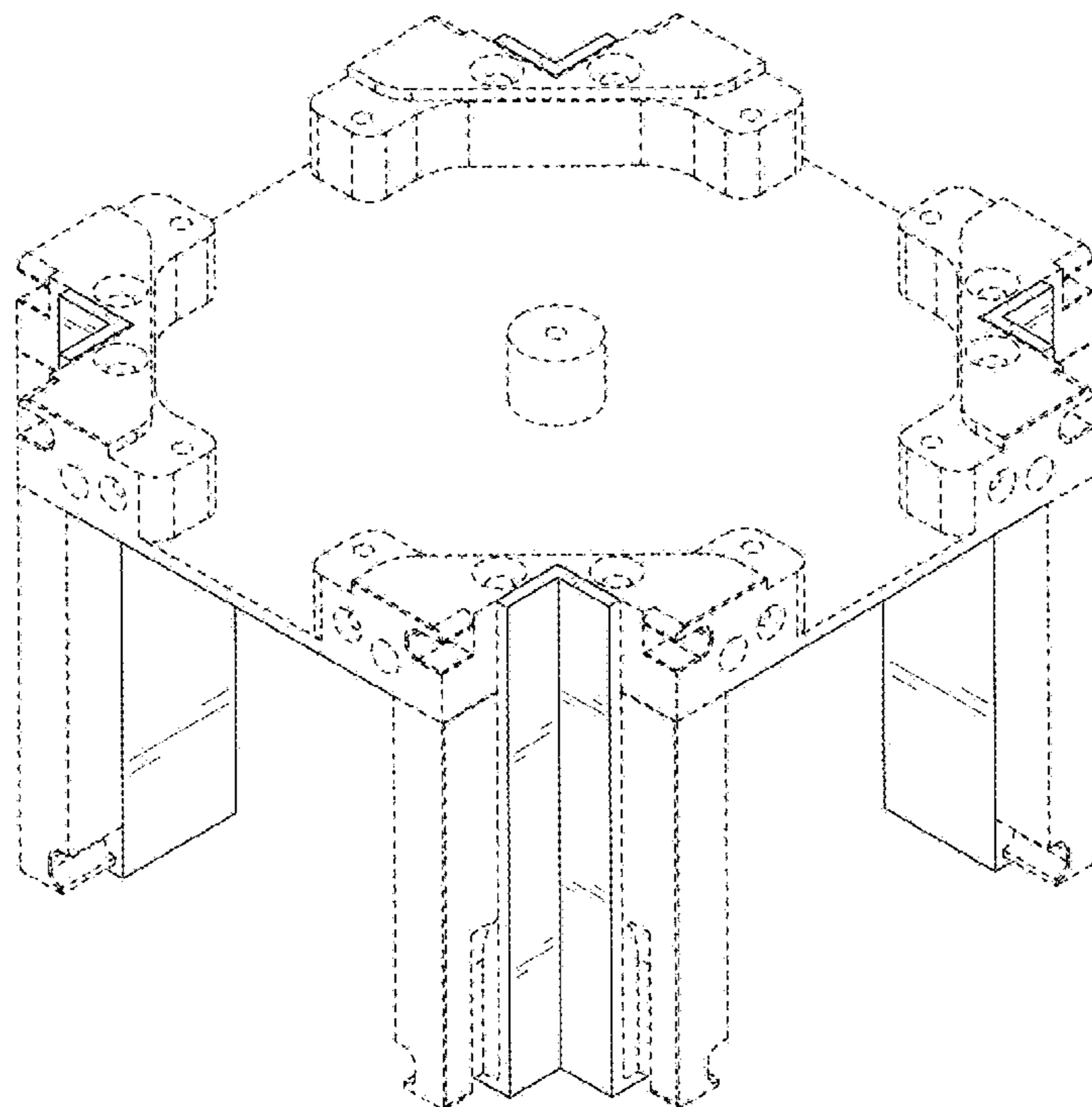
FIG. 1 is a top perspective view of a luminaire hub, showing my new design;
FIG. 2 is a bottom perspective view thereof;
FIG. 3 is a side view thereof;
FIG. 4 is a top view thereof;
FIG. 5 is a bottom view thereof; and,
FIG. 6 is a bottom perspective showing the environment in which the luminaire hub is used, the environment including four luminaire leg components attached to the luminaire hub.
The broken lines represent portions of the luminaire hub that form no part of the claimed design.

(56) **References Cited**

U.S. PATENT DOCUMENTS

- D545,487 S * 6/2007 Bynum D26/120
- D700,737 S * 3/2014 Campagna D26/142
- D735,933 S * 8/2015 Campagna D26/142
- D761,977 S * 7/2016 Eustace D26/24
- D773,717 S * 12/2016 Amato D26/89
- D783,200 S * 4/2017 Nanni D26/142

1 Claim, 6 Drawing Sheets



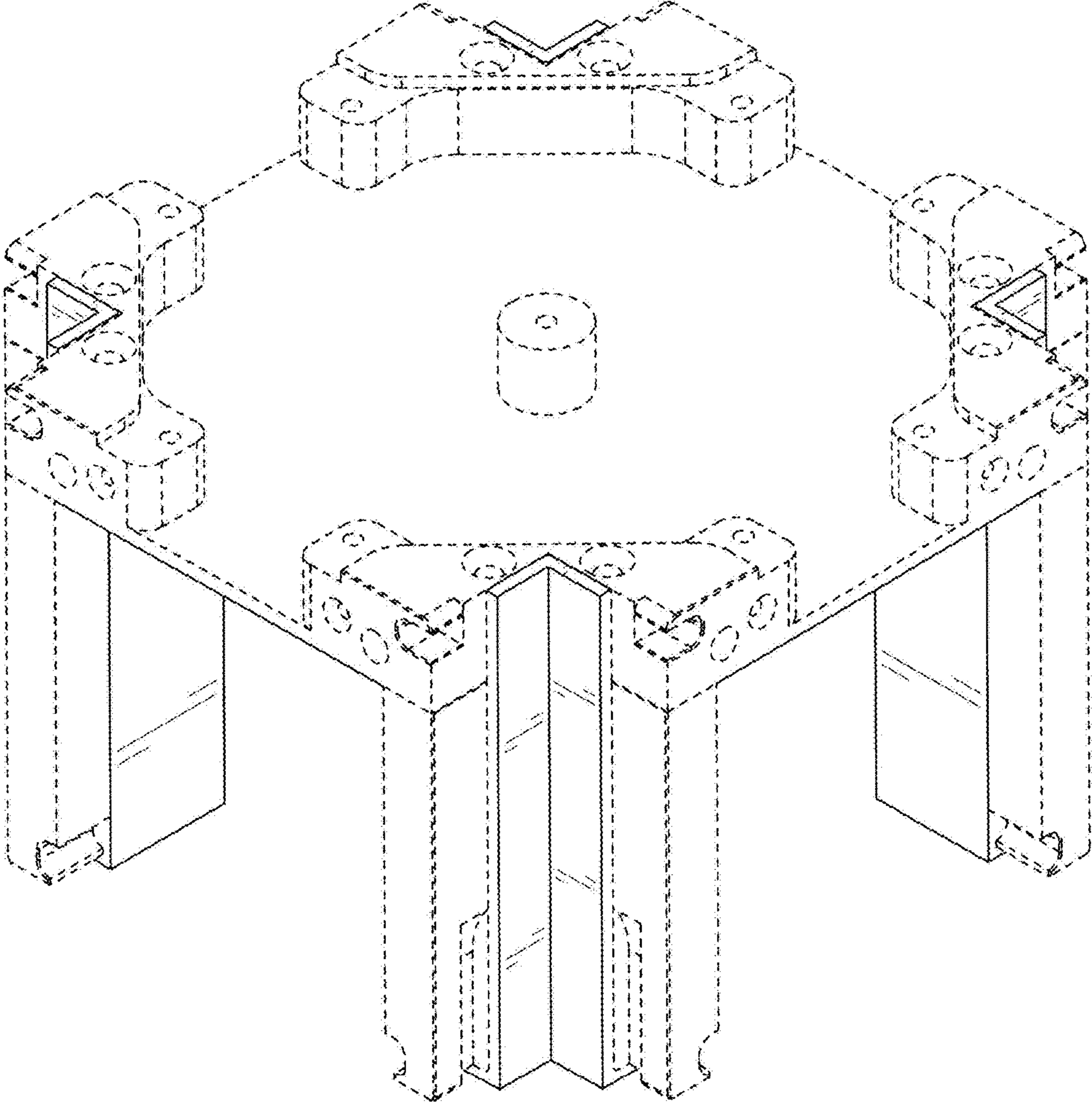


FIG. 1

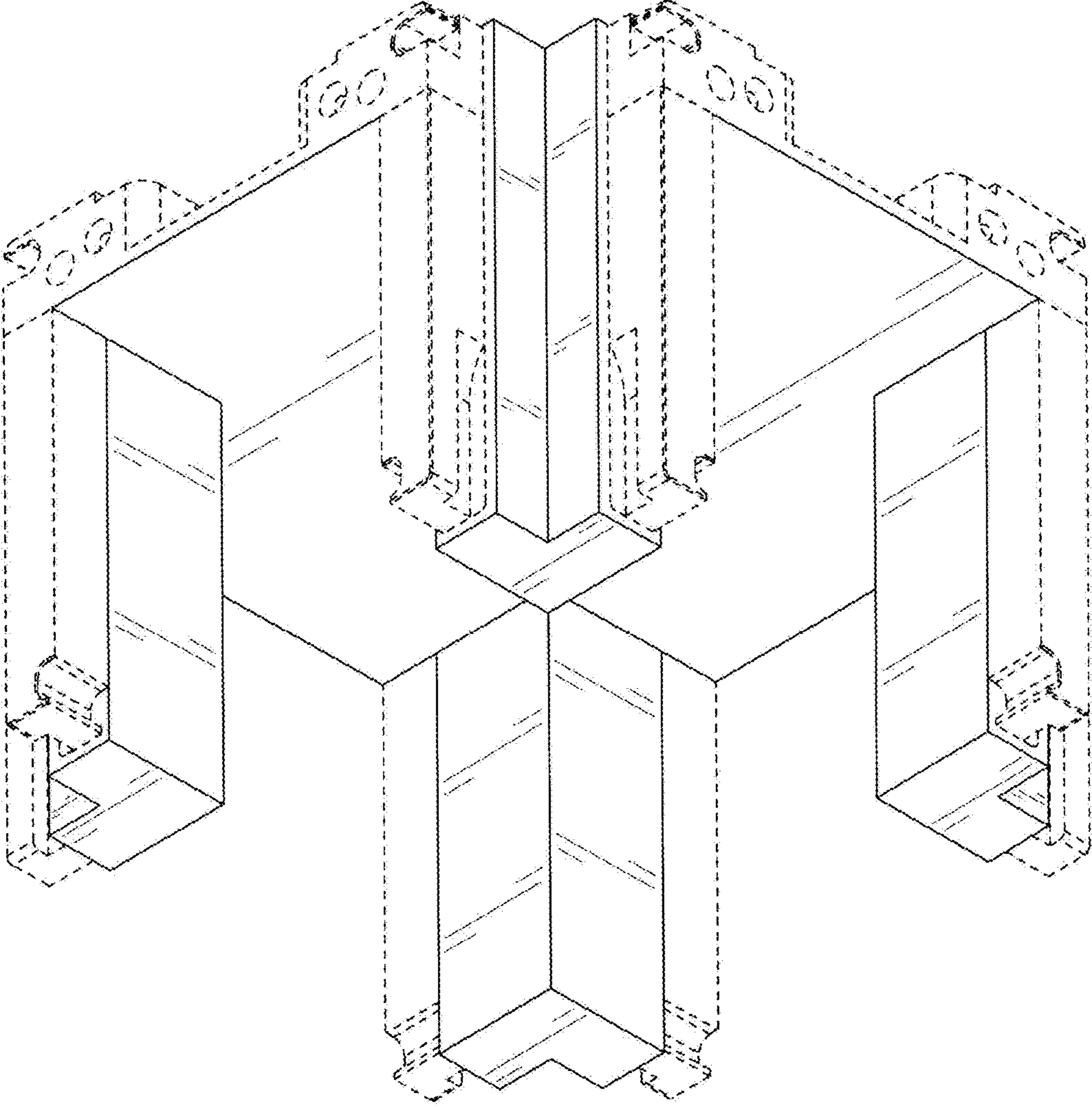


FIG. 2

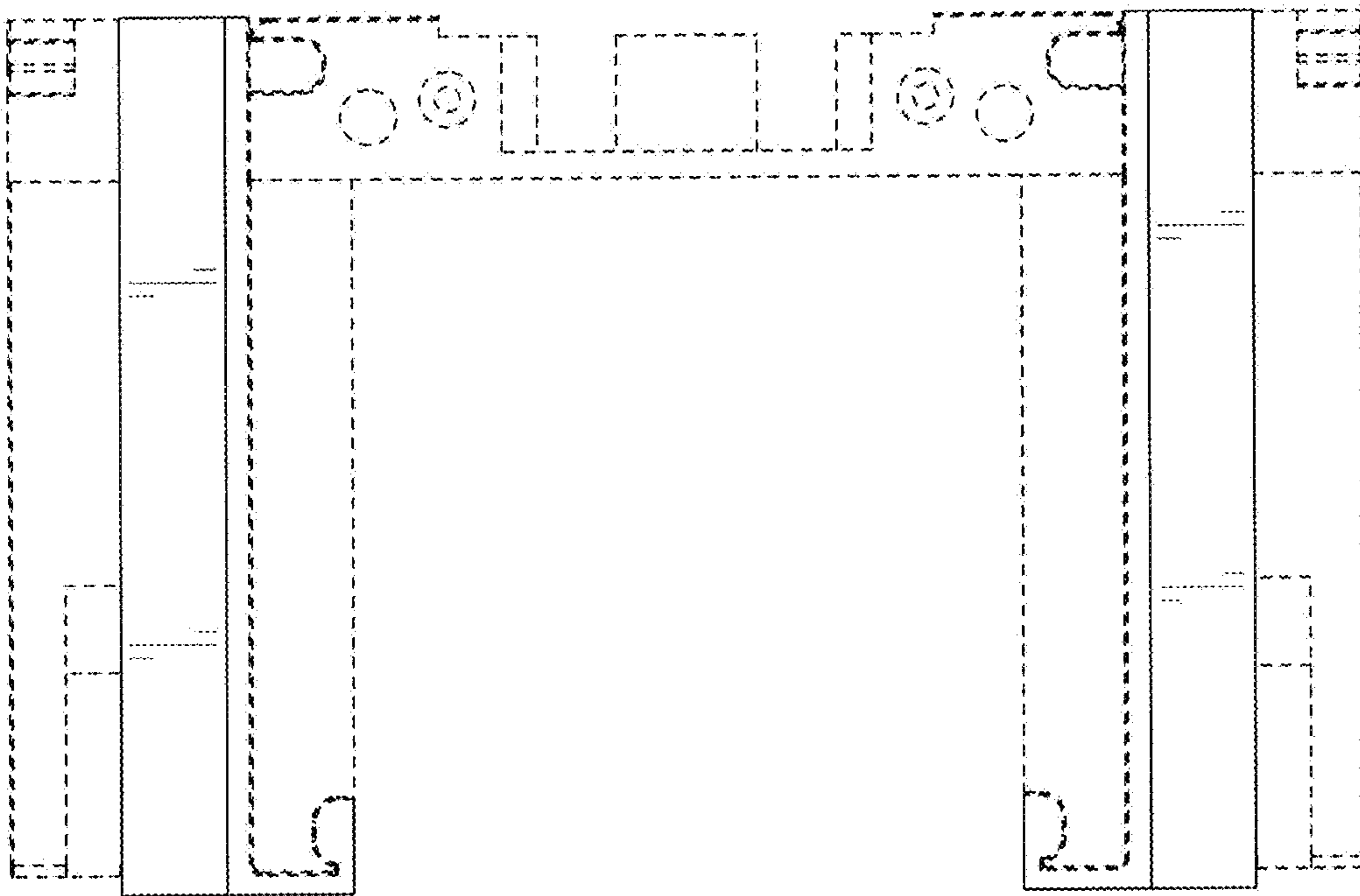


FIG. 3

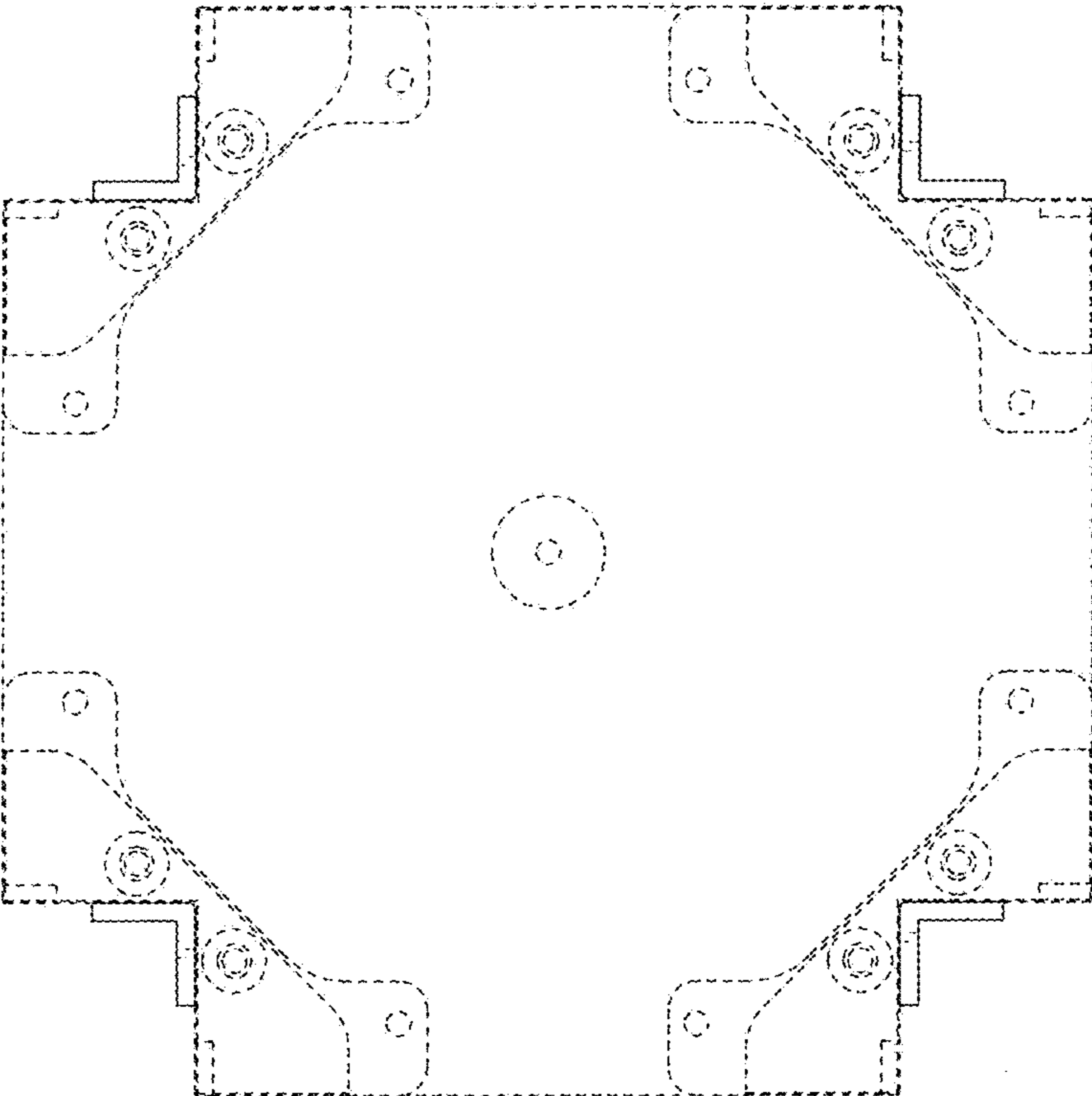


FIG. 4

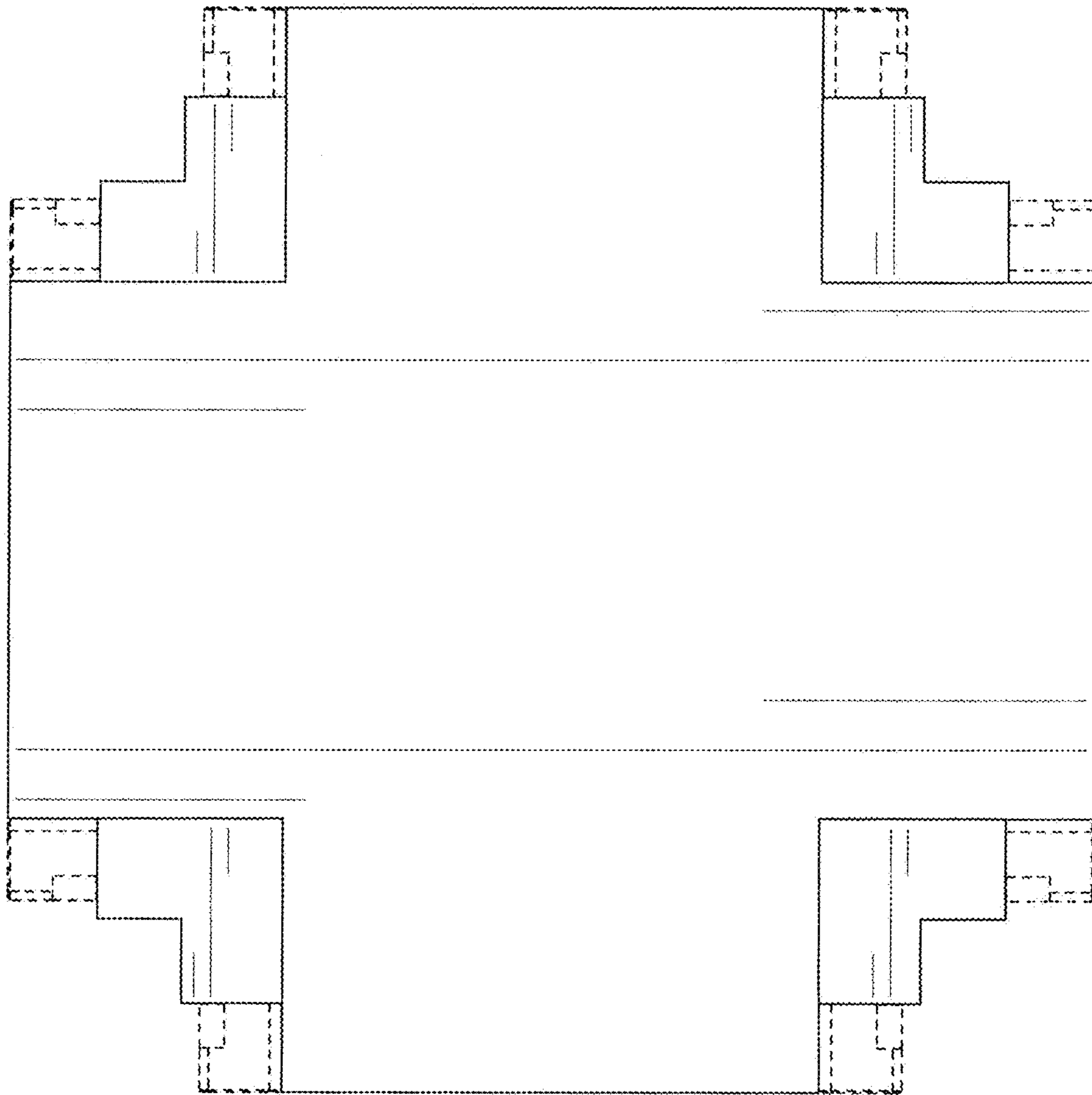


FIG. 5

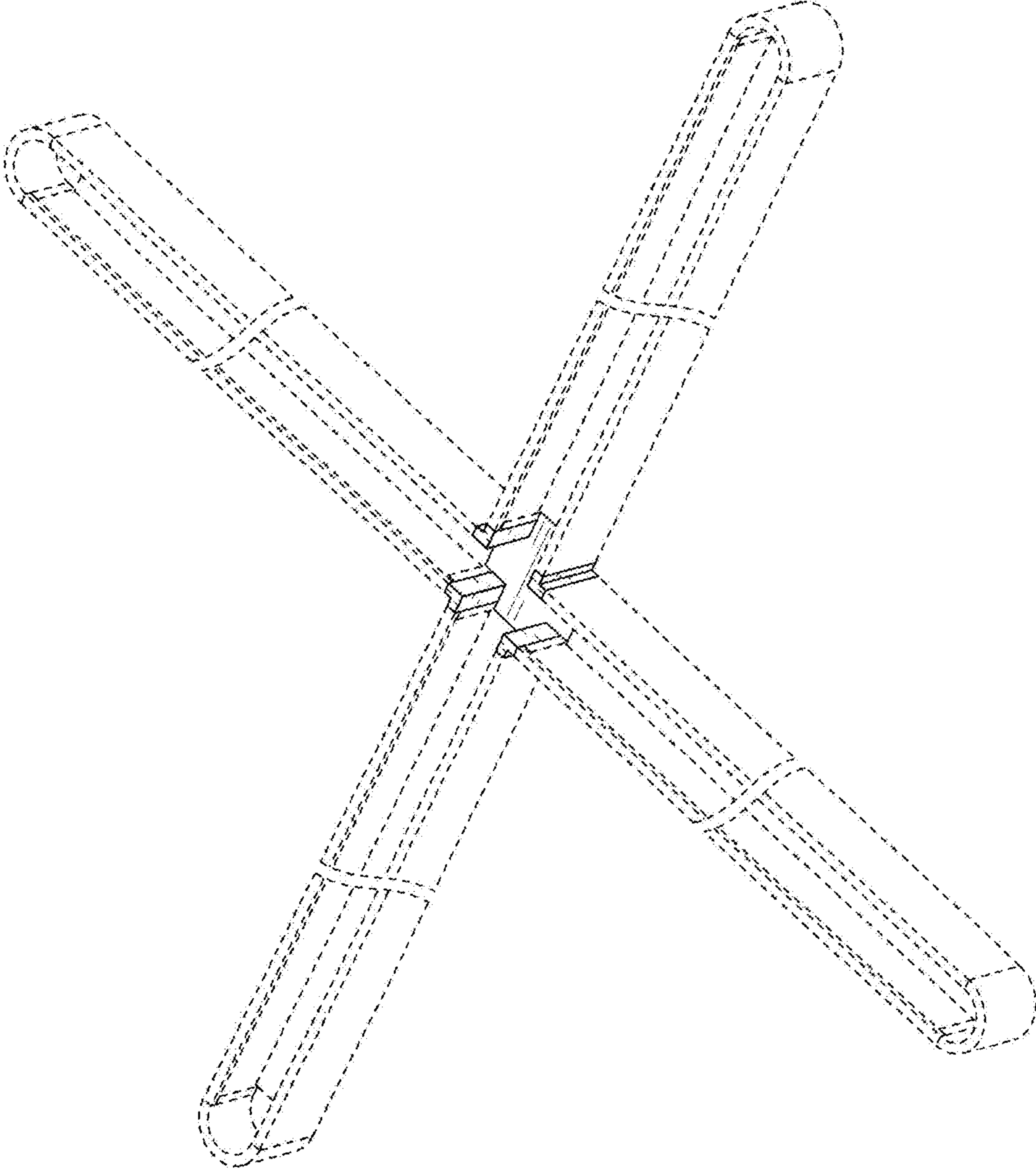


FIG. 6