



US00D820507S

(12) **United States Design Patent** (10) **Patent No.:** **US D820,507 S**
Khubani et al. (45) **Date of Patent:** **** *Jun. 12, 2018**

- (54) **LIGHT PROJECTOR**
- (71) Applicant: **Telebrands Corp.**, Fairfield, NJ (US)
- (72) Inventors: **Ajit Khubani**, Saddle River, NJ (US);
Yun Pan, Shenzhen (CN)
- (73) Assignee: **Telebrands Corp.**, Fairfield, NJ (US)
- (*) Notice: This patent is subject to a terminal disclaimer.
- (**) Term: **15 Years**
- (21) Appl. No.: **29/559,098**
- (22) Filed: **Mar. 24, 2016**

- D56,257 S * 9/1920 Ryder D26/139
- D56,258 S * 9/1920 Ryder D26/139
- D58,676 S * 8/1921 Macneale D26/139
- D70,236 S * 5/1926 Meden D26/70
- D173,139 S 10/1954 Black
- 3,104,064 A 9/1963 Bellek
- 3,442,572 A 5/1969 Illsley
- D231,559 S 4/1974 Darling
- 3,822,930 A 7/1974 Douklias

(Continued)

FOREIGN PATENT DOCUMENTS

- CN 2743676 11/2005
- CN 201173996 12/2008

(Continued)

OTHER PUBLICATIONS

Peatross, Physics of Light and Optics, Mar. 22, 2017, pp. 288-295, 303.

(Continued)

Primary Examiner — Clare E Heflin

(74) *Attorney, Agent, or Firm* — Cooper & Dunham, LLP

(57) **CLAIM**

The ornamental design for a light projector, as shown and described.

DESCRIPTION

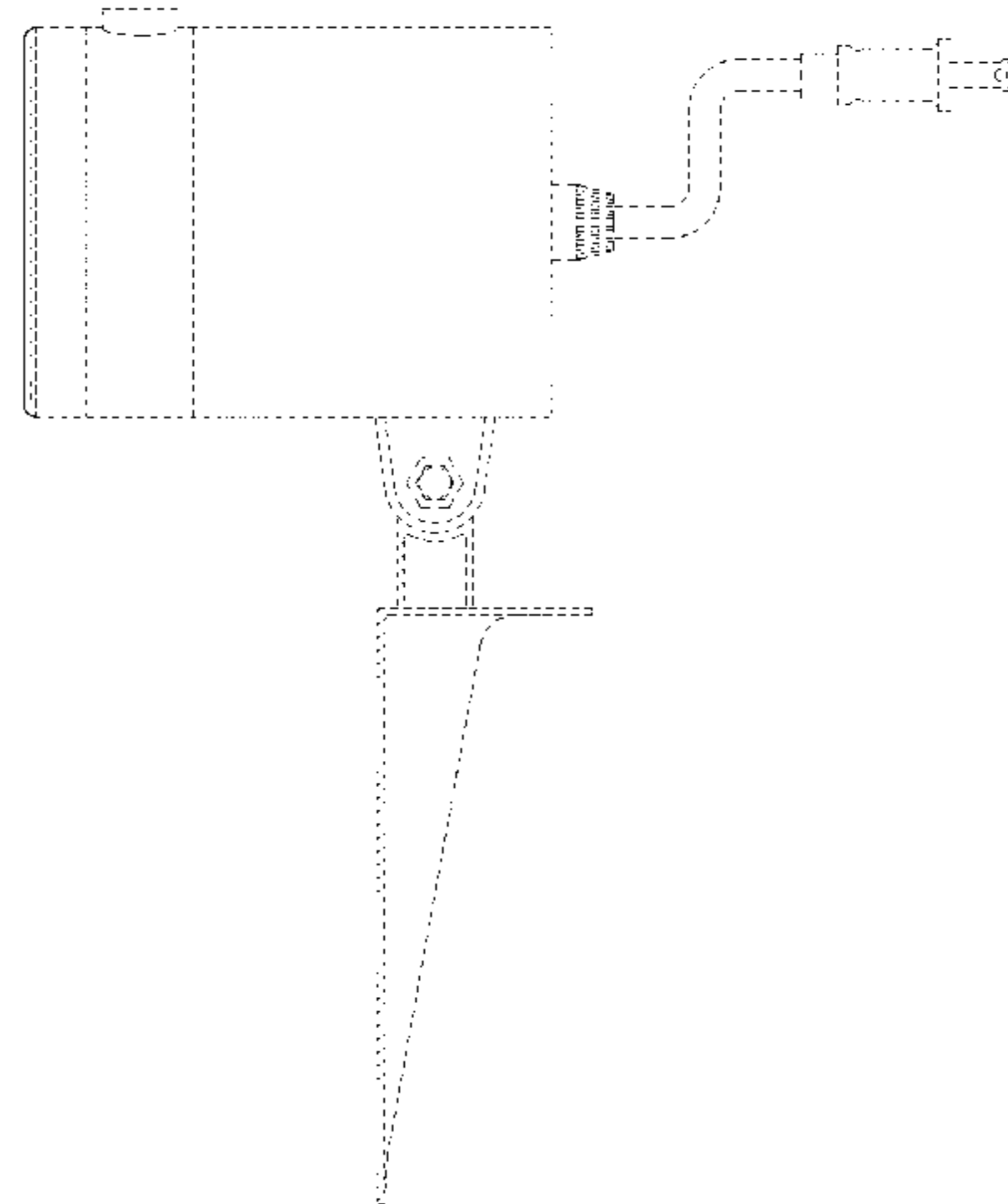
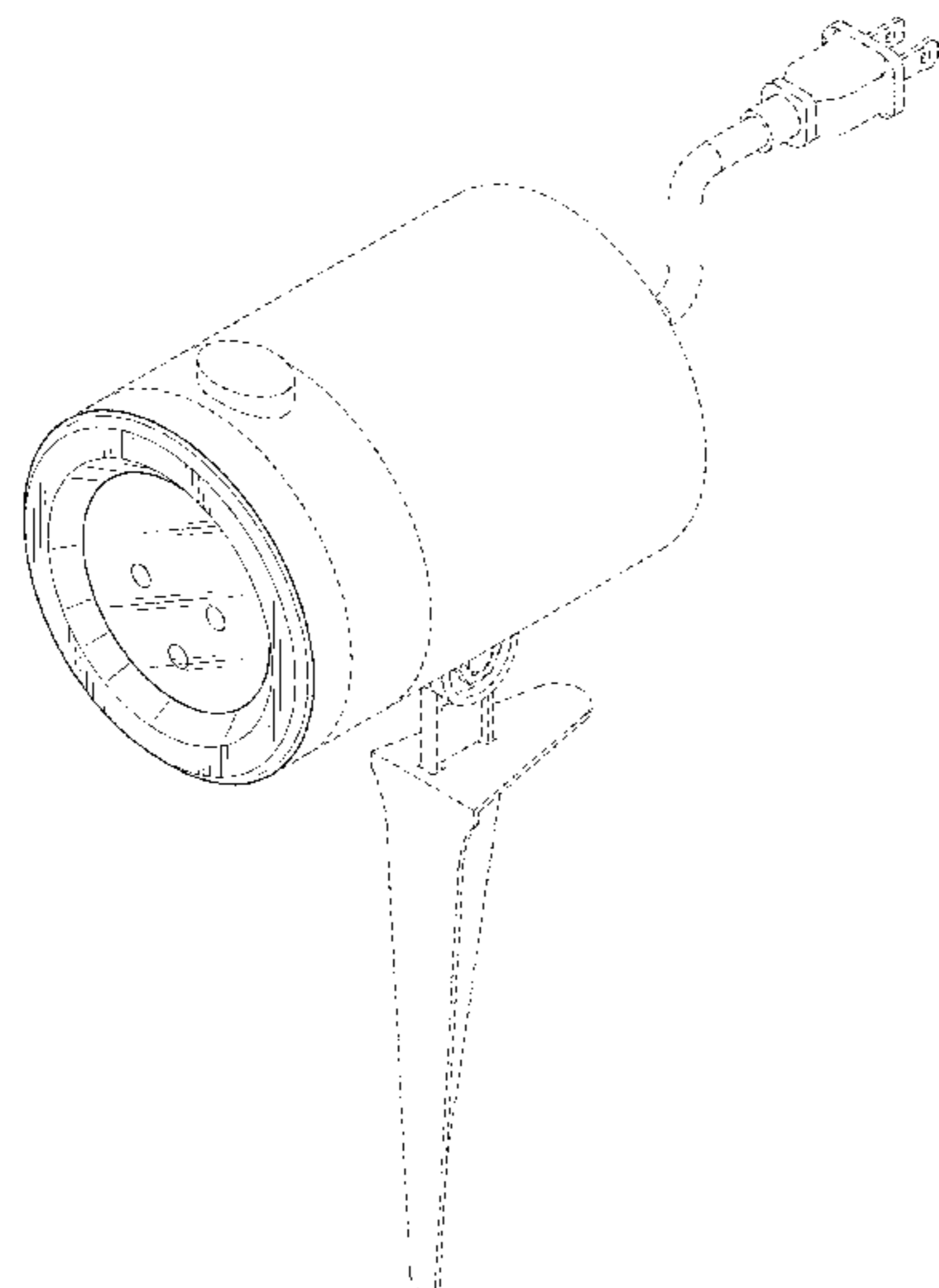
FIG. 1 is a top perspective view of a light projector in accordance with the present design;
 FIG. 2 is a bottom perspective view thereof;
 FIG. 3 is a front view thereof;
 FIG. 4 is a right side view thereof;
 FIG. 5 is a left side view thereof;
 FIG. 6 is a top view thereof; and,
 FIG. 7 is a bottom view thereof.

The broken lines are for illustrative purposes only and form no part of the claimed design.

1 Claim, 7 Drawing Sheets

- Related U.S. Application Data**
- (63) Continuation of application No. 29/526,591, filed on May 11, 2015, now Pat. No. Des. 766,483, and a continuation of application No. 29/544,568, filed on Nov. 4, 2015, now Pat. No. Des. 766,484.
- (51) **LOC (11) Cl.** **26-99**
- (52) **U.S. Cl.**
USPC **D26/124**; D26/139
- (58) **Field of Classification Search**
USPC D26/63, 67-70, 118, 120, 139, 124;
D10/106.6, 106.8
CPC F21S 8/08; F21S 8/081; F21S 8/083; F21S 8/088; F21S 9/03; F21S 9/032; F21S 9/035; F21S 9/037; F21S 6/003; F21S 6/004; F21S 6/005; F21W 2131/109; F21W 2111/023; F21V 21/0824
See application file for complete search history.

- (56) **References Cited**
U.S. PATENT DOCUMENTS
1,196,951 A * 9/1916 Hawthorne F21V 11/00
362/359
D56,256 S * 9/1920 Ryder D26/139



(56)

References Cited

U.S. PATENT DOCUMENTS

D233,778 S	11/1974	Kennedy	
D233,779 S	11/1974	Kennedy	
D234,710 S	4/1975	Beeren	
3,944,761 A	3/1976	Nicholl	
4,114,112 A	9/1978	Epstein	
D254,154 S	2/1980	Young	
4,217,040 A	8/1980	Longerbeam	
4,307,528 A	12/1981	Deweese	
4,458,124 A	7/1984	Kroth	
D278,215 S	4/1985	Patterson	
4,557,055 A	12/1985	Arai	
D282,104 S	1/1986	Taylor	
D286,682 S *	11/1986	Greenlee	D26/131
4,779,176 A	10/1988	Bornhorst	
4,814,961 A	3/1989	O'Brien	
5,036,447 A	7/1991	Taylor	
D323,406 S	1/1992	Fisher	
5,086,379 A	2/1992	Denison	
5,090,789 A	2/1992	Crabtree	
D326,162 S *	5/1992	Price	D26/63
D328,147 S	7/1992	Gecchelin	
D333,526 S	2/1993	Taylor	
D333,529 S	2/1993	Denison	
5,226,104 A	7/1993	Unterleitner	
D340,305 S	10/1993	Hall	
5,280,417 A	1/1994	Hall	
5,367,349 A	11/1994	Zeiler	
5,398,180 A	3/1995	Lee	
D361,149 S *	8/1995	Wedell	D26/63
5,459,539 A	10/1995	Yamamoto	
D365,169 S	12/1995	Fillipp	
D370,070 S	5/1996	Kay	
5,517,264 A	5/1996	Sutton	
5,613,799 A	3/1997	Guide	
5,626,418 A	5/1997	Angelis	
5,649,760 A	7/1997	Beadle	
D383,236 S	9/1997	Krogman	
D389,935 S	1/1998	Pink	
5,709,462 A	1/1998	Rumpel	
D397,490 S *	8/1998	Lecluze	D26/118
5,824,981 A	10/1998	Suzuki	
5,831,397 A	11/1998	Stevens	
5,882,107 A	3/1999	Bornhorst	
5,893,626 A	4/1999	Poling	
D410,295 S *	5/1999	Lueken	D26/63
D413,996 S	9/1999	Andrus	
D414,579 S *	9/1999	Denison	D26/63
5,971,545 A	10/1999	Haitz	
6,000,813 A	12/1999	Krietzman	
D427,696 S *	7/2000	Scott	D26/24
6,145,228 A	11/2000	LaChance	
6,152,577 A	11/2000	Rizkin	
D437,071 S *	1/2001	Andrus	D26/63
D437,652 S	2/2001	Uhler	
D438,322 S *	2/2001	Skradski	D26/68
6,190,025 B1	2/2001	Solinsky	
D438,999 S	3/2001	Bossy	
6,304,237 B1	10/2001	Karakawa	
6,474,837 B1	11/2002	Belliveau	
6,478,453 B2	11/2002	Lammers	
6,548,967 B1	4/2003	Dowling	
6,553,175 B2	4/2003	Jaspan	
6,594,090 B2	7/2003	Kruschwitz et al.	
D482,476 S	11/2003	Kwong	
6,644,839 B2	11/2003	Lee	
6,655,817 B2	12/2003	Devlin	
6,695,452 B2	2/2004	Panasewicz	
6,722,771 B1	4/2004	Stephens	
6,802,630 B2	10/2004	Doppelt	
6,874,893 B2	4/2005	Park	
D506,282 S	6/2005	Benghozi	
D506,283 S	6/2005	Benghozi	
7,040,780 B2	5/2006	Diehl	
7,137,721 B1	11/2006	Rao	
7,175,321 B1	2/2007	Lopez	
D538,959 S *	3/2007	Kosche	D26/63
D541,456 S *	4/2007	Kosche	D26/63
D541,966 S	5/2007	Bhengozi	
D542,959 S *	5/2007	Yao	D26/63
7,257,551 B2	8/2007	Oskorep	
D550,877 S	9/2007	Mullen	
D551,789 S	9/2007	Mullen	
7,369,584 B2	5/2008	Goldman	
7,380,956 B2	6/2008	Richmond	
D574,104 S *	7/2008	Sanoner	D26/67
D574,532 S *	8/2008	Lee	D26/63
7,418,016 B2	8/2008	Gruhlke et al.	
D577,453 S *	9/2008	Metlen	D26/63
D589,191 S *	3/2009	Sabernig	D26/63
7,534,975 B1	5/2009	Sharrah	
7,547,111 B2	6/2009	Richmond et al.	
D604,880 S *	11/2009	Lovegrove	D26/63
D604,882 S	11/2009	Mier-Langner	
RE41,050 E	12/2009	Panasewicz	
D605,325 S	12/2009	Sanoner	
7,641,345 B2	1/2010	Johnson	
D615,688 S *	5/2010	Chen	D26/63
D616,586 S	5/2010	Sabernig	
D619,289 S	7/2010	You	
D619,290 S	7/2010	You	
D625,871 S *	10/2010	Huang	D26/63
D628,329 S	11/2010	Tuli	
7,832,918 B2	11/2010	Chien	
D632,414 S *	2/2011	Croce	D26/63
D638,159 S	5/2011	Yao	
7,993,040 B2	8/2011	Beadle	
8,003,886 B1	8/2011	Rintz	
8,013,719 B2	9/2011	Haase	
D646,821 S *	10/2011	Wauters	D26/63
D647,234 S	10/2011	Izardel	
D647,657 S *	10/2011	Janssen	D26/63
D649,671 S	11/2011	Ferro	
8,057,045 B2	11/2011	Johnson	
D651,335 S	12/2011	Chen	
8,100,537 B2	1/2012	Johnson	
8,100,538 B2	1/2012	Kuroda	
D654,207 S *	2/2012	Fletcher	D26/63
D654,214 S *	2/2012	Huang	D26/139
D654,605 S	2/2012	Chen	
D654,606 S	2/2012	Chen	
D659,871 S *	5/2012	Lee	D26/63
8,251,521 B2	8/2012	Mizushima et al.	
D667,981 S	9/2012	Connolly	
D667,989 S *	9/2012	May	D26/139
8,297,825 B2	10/2012	Onishi	
8,303,129 B1	11/2012	Thielen	
8,303,150 B2	11/2012	Chien	
8,366,281 B2	2/2013	Silverstein et al.	
8,366,292 B2	2/2013	McDermott	
8,376,574 B2	2/2013	Spartano	
8,436,553 B2	5/2013	Zampini	
8,480,233 B2	7/2013	Smith	
8,485,686 B2	7/2013	Swan	
8,511,877 B2	8/2013	Chien	
8,693,513 B2	4/2014	Achtenhagen	
8,721,160 B2	5/2014	Chien	
8,834,009 B2	9/2014	Chien	
8,901,827 B1	12/2014	Xu	
D723,726 S	3/2015	Reed	
D738,023 S	9/2015	Rosello Gratacos	
9,157,586 B1	10/2015	Babcock	
9,157,589 B2	10/2015	Chien	
9,200,790 B2	12/2015	Lien et al.	
D747,525 S *	1/2016	Guercio	D26/63
D748,838 S *	2/2016	Brynjolfsson	D26/63
9,395,608 B2	7/2016	Zhang	
D764,694 S	8/2016	Tsai	
D766,483 S *	9/2016	Khubani	D26/63
D766,484 S *	9/2016	Khubani	D26/63
D777,965 S	1/2017	Mirchandani	
D779,098 S	2/2017	Tsai	
9,719,654 B2	8/2017	Chien	
2002/0101571 A1	8/2002	Panasewicz	
2003/0189825 A1	10/2003	Tauch	

(56)

References Cited

U.S. PATENT DOCUMENTS

2004/0042070	A1	3/2004	Yagi	
2004/0119951	A1	6/2004	Vitantonio	
2004/0141316	A1	7/2004	Twardawski	
2005/0024863	A1	2/2005	Phipps	
2005/0103378	A1	5/2005	Pu	
2005/0243560	A1	11/2005	Chen	
2006/0114682	A1	6/2006	Schuster	
2006/0158138	A1	7/2006	Walter	
2006/0198153	A1	9/2006	Chien	
2007/0064290	A1	3/2007	Hochenbleicher	
2008/0224849	A1	9/2008	Sirhan	
2008/0316732	A1	12/2008	Blake	
2009/0027900	A1	1/2009	Janos	
2009/0033814	A1	2/2009	Khan	
2009/0067191	A1	3/2009	Faber	
2009/0122564	A1	5/2009	Beadle	
2009/0153807	A1	6/2009	Jackson	
2009/0168026	A1	7/2009	Chen	
2009/0268121	A1	10/2009	Hisada	
2010/0053969	A1	3/2010	Weinheimer	
2010/0046211	A1	12/2010	Spartano	
2011/0051097	A1	3/2011	Lin	
2012/0069547	A1	3/2012	Gielen	
2012/0176782	A1	7/2012	Vanderschuit	
2012/0188754	A1	7/2012	Fitzwater	
2014/0036487	A1	8/2012	Adams	
2012/0257418	A1	10/2012	Fields et al.	
2012/0324772	A1*	12/2012	Gingerella F21V 29/004 40/559
2013/0088152	A1	4/2013	Hagen	
2013/0088723	A1	4/2013	Feldkhun	
2013/0257297	A1	10/2013	Schmidt	
2014/0335910	A1	3/2014	Wang	
2014/0268703	A1	9/2014	Ehlert	
2014/0313779	A1	10/2014	Higgins et al.	
2014/0328060	A1	11/2014	Gadegaard	
2015/0015716	A1	1/2015	Reed	
2015/0035437	A1	2/2015	Panopoulos	
2015/0070897	A1	3/2015	Chien	
2015/0159842	A1	6/2015	Zhang	
2015/0308655	A1	10/2015	Holmes	
2016/0073458	A1	3/2016	Takahashi	
2016/0238221	A1*	8/2016	Lentine F21V 21/0824
2016/0273716	A1	9/2016	Tarsa et al.	
2016/0313089	A1	10/2016	Collin	
2016/0330825	A1	11/2016	Recker	
2016/0369996	A1	12/2016	Qin	
2016/0377248	A1	12/2016	Jagt et al.	
2017/0045208	A1	2/2017	Lentine	
2017/0045212	A1	2/2017	Ghasabi	
2017/0080991	A1	3/2017	White	

FOREIGN PATENT DOCUMENTS

CN	201407589	Y	2/2010
CN	202091917		12/2011
CN	101276523	A	8/2012
CN	102620220		8/2012
CN	102809110		12/2012
CN	202140959		12/2012
CN	202691883		1/2013
CN	202972915		6/2013
CN	203273720		11/2013
CN	203431698		2/2014
CN	203453930		2/2014
CN	204083891		1/2015
CN	204141534		2/2015
CN	204176560		2/2015
CN	204240200		4/2015
CN	204268353		4/2015
CN	303234579	S	6/2015
CN	104812342		7/2015
CN	204621354		9/2015
CN	204629169	U	9/2015

CN	105068243		11/2015
CN	205155727		4/2016
CN	303657559		4/2016
DE	2740191		3/1979
DE	202006003915		5/2006
DE	20 2007 009 156	U1	1/2008
DE	202006009535		8/2008
EP	1 024 399		2/2000
GB	2435090		8/2007
JP	H07227342		8/1995
KR	20120023293		3/2013
WO	WO 2006/074205		7/2006
WO	WO 2010022367		2/2010
WO	WO 2012002833		1/2012
WO	WO 2015/094009		6/2015
WO	WO 2015/138480		9/2015
WO	WO 2015/143450		9/2015
WO	WO 2015/149877		10/2015

OTHER PUBLICATIONS

Examination Report of Application No. 2016101293 by IP Australia, issued Feb. 17, 2017.

Extended European Search Report of Application No. 16197894.5-1568 by European Patent Office, issued Feb. 17, 2017.

Office Action of Application No. 2,937,150 by Canadian Intellectual Property Office, issued Jan. 26, 2017.

SeresRoad Outdoor Waterproof Star Projector, Landscape Projector, available at www.amazon.com, accessed on Nov. 13, 2015.

Us-vision AGO-20RG Modern Outdoor/ Indoor 20 Patterns Gobos Rg Laser Projector, available at www.amazon.com, accessed Nov. 13, 2015.

Sminiker Outdoor Laser Light Sparkle Magic Lights Landscape Light Holiday Light, available at www.amazon.com, accessed Nov. 13, 2015.

Us-vision Outdoor Holiday Waterproof Green Laser Lighting Show, available at www.amazon.com, accessed Nov. 13, 2015.

Improvements All-metal 4-in-1 Projection Light with Remote, available at www.amazon.com, accessed Nov. 13, 2015.

Klaren Color Laser Light Projector—Improvements, available at www.amazon.com, accessed Nov. 13, 2015.

Light Flurries, available at www.lightflurries.com, accessed Mar. 17, 2016.

Outdoor Indoor Spright Smart Firefly Light with Timer Green, available at www.amazon.com, accessed May 2, 2016.

Blisslights Spright Spring Smart Outdoor Indoor Firefly Light Projector with Timer, available at www.amazon.com, accessed May 2, 2016.

Mr. Christmas Super Green Laser Light Show, available at www.amazon.com, accessed May 2, 2016.

BlissLights Motion Laser, available at www.amazon.com, accessed May 2, 2016.

Color Laser Lights Instructions, published 2014.

BlissLights Spright Smart User Guide, published 2014.

International Search Report PCT/US2016/021347, published May 17, 2016.

Written Opinion of International Search Authority PCT/US2016/021347, published May 17, 2016.

International Search Report PCT/US2016/021338, published May 16, 2016.

Written Opinion of International Search Authority PCT/US2016/021338, published May 16, 2016.

Laser Light, available at www.amazon.com, accessed on Nov. 13, 2015.

Night Stars, available at www.amazon.com, accessed Nov. 13, 2015.

Poeland Garden Laser Landscape, available at www.amazon.com, accessed Nov. 13, 2015.

Remote Controllable RGB Laser, available at www.amazon.com, accessed Nov. 13, 2015.

Newest Garden Tree and Outdoor Wall Decoration Laser, available at www.amazon.com, accessed Nov. 13, 2015.

Pepnice Red and Green Firefly Laser Light, available at www.amazon.com, accessed Nov. 13, 2015.

(56)

References Cited

OTHER PUBLICATIONS

Klaren Color Laser Light Projector, available at www.amazon.com, accessed Nov. 13, 2015.

Garden Tree and Outdoor Wall Decoration Laser Lights for Holiday Lighting, available at www.amazon.com, accessed Nov. 13, 2015.

Green and Red Light Garden Tree and Outdoor Wall Decoration Laser Lights, available at www.amazon.com, accessed Nov. 13, 2015.

Moving Red and Green 2 Color Laser Landscape Projector Light w/ Remote, available at www.amazon.com, accessed Nov. 13, 2015.

Office Action of Application No. 2,965,063 by Canadian Intellectual Property Office, issued Jun. 16, 2017.

International Search Report PCT/US2016/021354, published Jun. 30, 2016.

Written Opinion of International Search Authority PCT/US2016/021354, published Jun. 30, 2016.

Extended European Search Report of Application No. 16197893 by European Patent Office, issued Feb. 24, 2017.

Extended European Search Report of Application No. 16197896 by European Patent Office, issued Mar. 13, 2017.

Laser Projector Yard Stake Sell Sheet by YFC-BonEagle, Copyright 2011.

Consumer Electronics Show Flyer by Prime, Jan. 2014.

Laser Light Prime, <https://www.youtube.com/watch?v=ygPEISRdaRo>, accessed May 25, 2017, published Nov. 29, 2014.

Extended European Search Report of Application No. 16197895 by European Patent Office, issued Apr. 28, 2017.

Request for Ex Parte Reexamination of U.S. Pat. No. 9,546,775, submitted Jul. 13, 2017.

Declaration of Stephen D. Fantone dated Jul. 3, 2017, submitted in support of response to Order to Show Cause (Civil Action No. 2:17-cv-02878).

Everstar Merchandising Product No. 88-506.

Everstar Merchandising Product No. 68-005 (US) / 88-653 (CAN). Office Action of Application No. 2,937,150 by Canadian Intellectual Property Office, issued Jun. 30, 2017.

Examination Report of Application No. 2017100480 by IP Australia, issued Jun. 8, 2017.

Examination Report of Application No. 2016101293 by IP Australia, issued Oct. 20, 2016.

Laser Christmas Lights & Outdoor Laser Lights, published Oct. 6, 2015, available at <http://web.archive.org/web/20151006140058/http://www.laserchristmaslights.com>.

Examination Report of Application No. 2016101295 by IP Australia, issued Oct. 20, 2016.

Food & Drug Administration, Ratiation-Emitting Products, Feb. 21, 2014 (Exhibit 1037 to the Petition for PGR of U.S. Pat. No. 9,752,761, filed on Nov. 27, 2017).

Herzig, Diffractive Components: Holographic Optical Elements, pp. 43-44, copyrighted 1993 (Exhibit 1051 to the Petition for PGR of U.S. Pat. No. 9,752,761, filed on Nov. 27, 2017).

Barat, Laser Safety Management, Chapter 1, pp. 1-13, copyrighted 2006 (Exhibit 1043 to the Petition for PGR of U.S. Pat. No. 9,752,761, filed on Nov. 27, 2017).

Barat, Laser Safety Management, Chapter 4, pp. 45-56, copyrighted 2006 (Exhibit 1044 to the Petition for PGR of U.S. Pat. No. 9,752,761, filed on Nov. 27, 2017).

Barat, Laser Safety Management, Chapter 11, pp. 159-187, copyrighted 2006 (Exhibit 1045 to the Petition for PGR of U.S. Pat. No. 9,752,761, filed on Nov. 27, 2017).

Barat, Laser Safety Management, Chapter 15, pp. 233-239, copyrighted 2006 (Exhibit 1046 to the Petition for PGR of U.S. Pat. No. 9,752,761, filed on Nov. 27, 2017).

Barat, Laser Safety Management, Glossary, pp. 241-252, copyrighted 2006 (Exhibit 1047 to the Petition for PGR of U.S. Pat. No. 9,752,761, filed on Nov. 27, 2017).

Henderson, Laser Safety, pp. 366-369, copyrighted 2004 (Exhibit 1048 to the Petition for PGR of U.S. Pat. No. 9,752,761, filed on Nov. 27, 2017).

Prime Wire & Cable, Inc., Script of Commercial, Mar. 12, 2014 (Exhibit 1018 to the Petition for PGR of U.S. Pat. No. 9,752,761, filed on Nov. 27, 2017).

Prime Wire & Cable, Inc., Screen Captures of "Laser Lighth Prime" Commercial, Mar. 12, 2014 (Exhibit 1017 to the Petition for PGR of U.S. Pat. No. 9,752,761, filed on Nov. 27, 2017).

Blisslights, LLC, BlissLights Spright User's Guide (Exhibit 1032 to the Petition for PGR of U.S. Pat. No. 9,752,761, filed on Nov. 27, 2017).

Screen capture from <http://web.archive.org/> of lissLights Spright User's Guide, archived Jul. 16, 2014 (Exhibit 1033 to the PGR Petition of U.S. Pat. No. 9,752,761, filed Nov. 27, 2017).

Prime Wire & Cable, Inc., Laser Light Projector LFLRG505 User Manual (Exhibit 1013 to the Petition for PGR of U.S. Pat. No. 9,752,761, filed on Nov. 27, 2017).

Prime Wire & Cable, Inc., Model LFLRG505 Purchase Product Specification, Jun. 24, 2014 (Exhibit 1025 to the Petition for PGR of U.S. Pat. No. 9,752,761, filed on Nov. 27, 2017).

Sliney, Laser Safety with Consumer and Office Products, Ch 1, p. 1-11, 1980 (Exhibit 1041 to the Petition for PGR of U.S. Pat. No. 9,752,761, filed on Nov. 27, 2017).

D. Hochmuth, Diffractive Optics Give Laser Pointers a New Twist, Photonics Spec. Aug. 1995 (Exhibit 1049 to the Petition for PGR of U.S. Pat. No. 9,752,761, filed on Nov. 27, 2017).

The Paramount Org., Inc., Laser Spectacular, at www.pinkfloydshow.com/about, Nov. 7, 2017 (Exhibit 1052 to the PGR Petition of U.S. Pat. No. 9,752,761, filed on Nov. 27, 2017).

Wikipedia, Pink Floyd, https://en.wikipedia.org/wiki/Pink_Floyd_live_performances, Nov. 7, 2017 (Exhibit 1053 to the PGR Petition of U.S. Pat. No. 9,752,761, filed on Nov. 27, 2017).

Blisslights, LLC, Technology, <http://www.blisslight.com:80/technology>, Jun. 27, 2014 (Exhibit 1031 to the Petition for PGR of U.S. Pat. No. 9,752,761, filed on Nov. 27, 2017).

Spright Green, <http://www.blisslight.com:80/store/products/spright-green/1452>, Apr. 1, 2014 (Exh 1030 to the Petition for PGR of U.S. Pat. No. 9,752,761, filed on Nov. 27, 2017).

Bliss Lights Spright User's Guide, published online at <http://www.blisslights.com/data/store/tabs/53a0cd9a6c00b.pdf> at least as early as Jun. 27, 2014.

Petition for Post Grant Review of U.S. Pat. No. 9,752,761, filed on Nov. 27, 2017.

Request for Ex Parte Reexamination of U.S. Pat. No. 9,752,761, submitted Nov. 6, 2017.

Order Granting Ex Parte Reexamination of U.S. Pat. No. 9,752,761, dated Aug. 1, 2017.

Color Laser Light Instructions, U.S. Appl. No. 62/025,344, filed Jul. 16, 2014 (Exhibit 1003 to the Petition for Post Grant Review of U.S. Pat. No. 9,752,761, filed on Nov. 27, 2017).

Sliney, Safety with Lasers and Other Optical Sources, Ch. 20, p. 625-654, 1980 (Exhibit 1042 to the Petition for PGR of U.S. Pat. No. 9,752,761, filed on Nov. 27, 2017).

Blisslights, LLC, BlissLights SPRIGHTsmart User's Guide (Exhibit 1036 to the Petition for PGR of U.S. Pat. No. 9,752,761, filed on Nov. 27, 2017).

Prime Wire & Cable, Inc., Packaging Specification: LFLRG505, dated Jan. 29, 2014 (Exhibit 1015 to the Petition for PGR of U.S. Pat. No. 9,752,761, filed on Nov. 27, 2017).

Food & Drug Administration, Compliance Guide for Laser Products, Jun. 1992 (Exhibit 1040 to the Petition for PGR of U.S. Pat. No. 9,752,761, filed on Nov. 27, 2017).

Photographs of Prime Laser Product, Model LFLRG505 (Exhibit 1011 to the Petition for Post Grant Review of U.S. Pat. No. 9,752,761, filed on Nov. 27, 2017).

Petition for Post Grant Review of U.S. Pat. No. 9,546,775, dated on Oct. 16, 2017.

Slate, "Know Your Fireworks," published Jul. 1, 2011 (Exhibit 1006 to the Petition for Post Grant Review of U.S. Pat. No. 9,546,775, filed on Oct. 16, 2017).

Webster's Dictionary, 2014, p. 1527, published by Houghton Mifflin Publishing Co. (Exhibit 1007 to the Petition for Post Grant Review of U.S. Pat. No. 9,546,775, filed on Oct. 16, 2017).

(56)

References Cited

OTHER PUBLICATIONS

Chauvet, EZMiN User Manual, 2013 (Exhibit 1010 to the Petition for Post Grant Review of U.S. Pat. No. 9,546,775, filed on Oct. 16, 2017).

Thor Labs Drawing for Item No. NDC-100C-2M, drawn on Jun. 22, 2012 (Exhibit 1019 to the Petition for Post Grant Review of U.S. Pat. No. 9,546,775, filed on Oct. 16, 2017).

Evaluation Report of Utility Model Patent CN 2016208941741, dated Aug. 3, 2017.

Order Granting Reexamination of U.S. Pat. No. 9,546,775, dated Aug. 1, 2017.

Request for Ex Parte Reexamination of U.S. Pat. No. 9,869,459, dated Jan. 16, 2018.

International Search Report and Written Opinion of International Search Authority PCT/US17/053457, dated Jan. 9, 2018.

Written Opinion of International Search Authority PCT/US18/18741, dated Mar. 19, 2018.

International Search Report PCT/US18/18741, dated Mar. 19, 2018.

European Patent Office Examination Report of Application No. 16197893.7, dated Feb. 23, 2018.

European Patent Office Examination Report of Application No. 19197895.2, dated Feb. 26, 2018.

* cited by examiner

FIG. 1

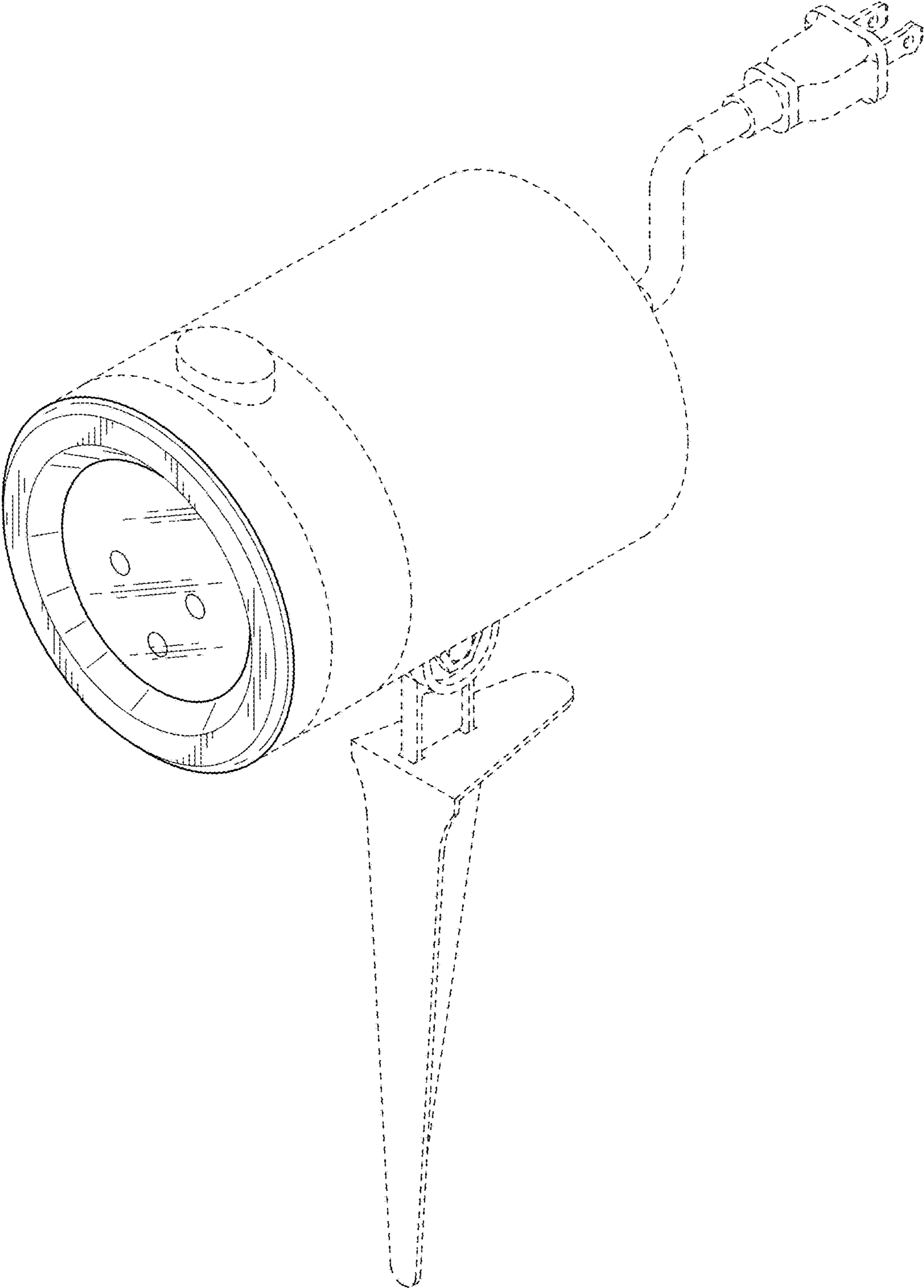


FIG. 2

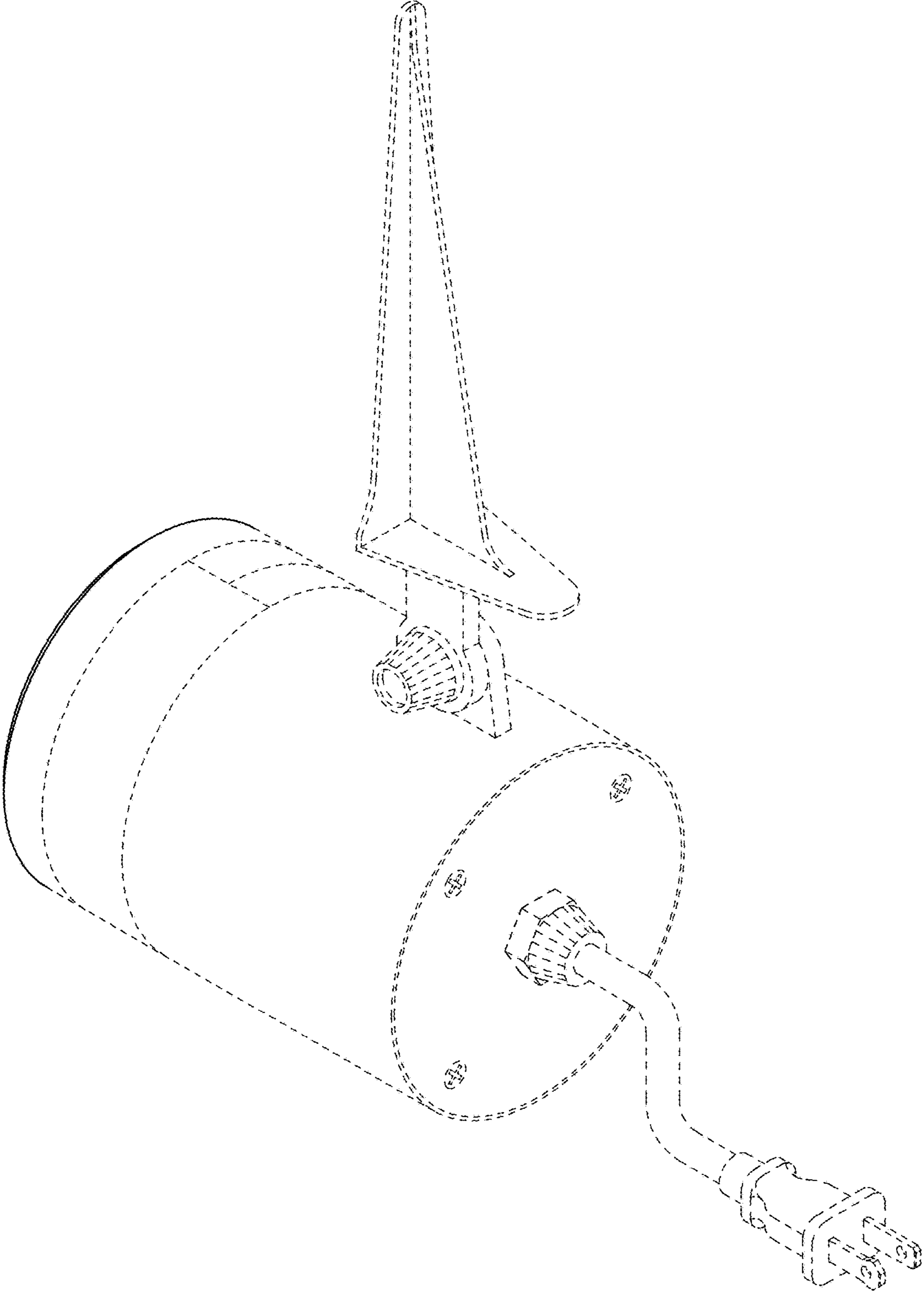


FIG. 3

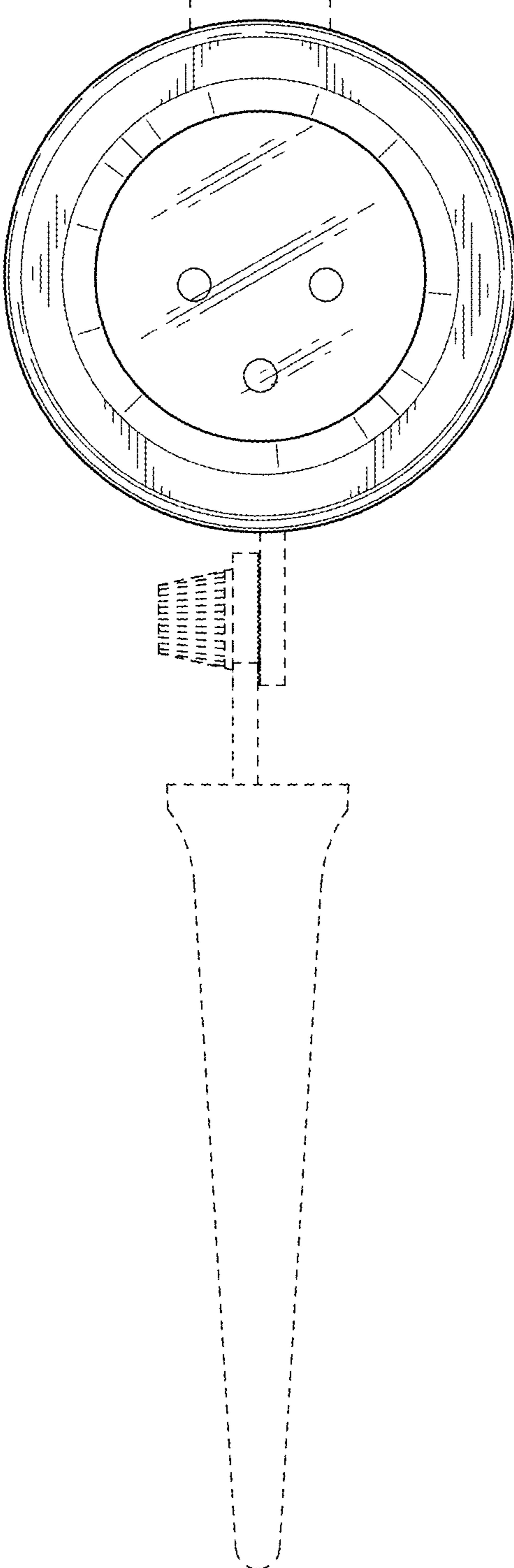


FIG. 4

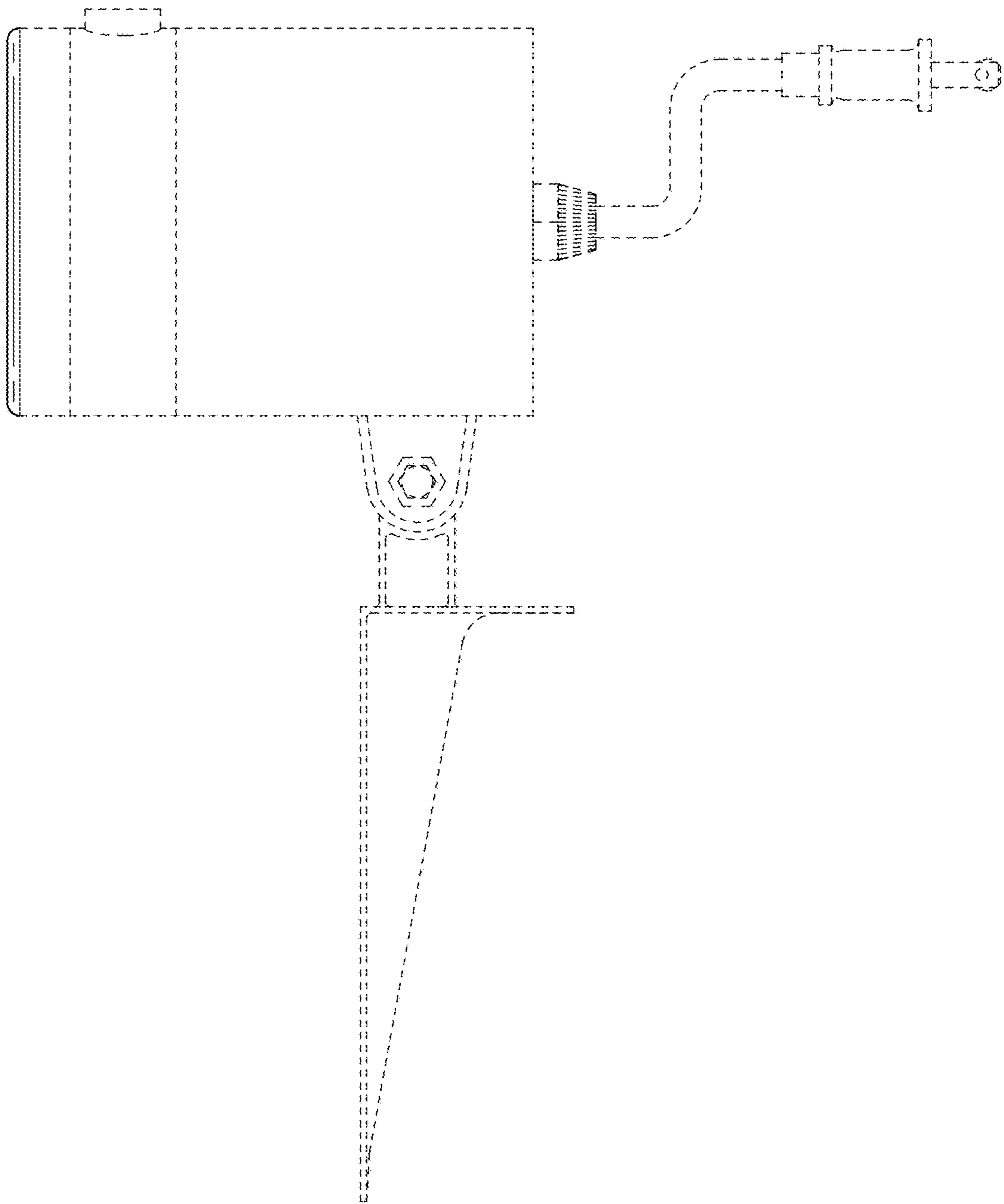


FIG. 5

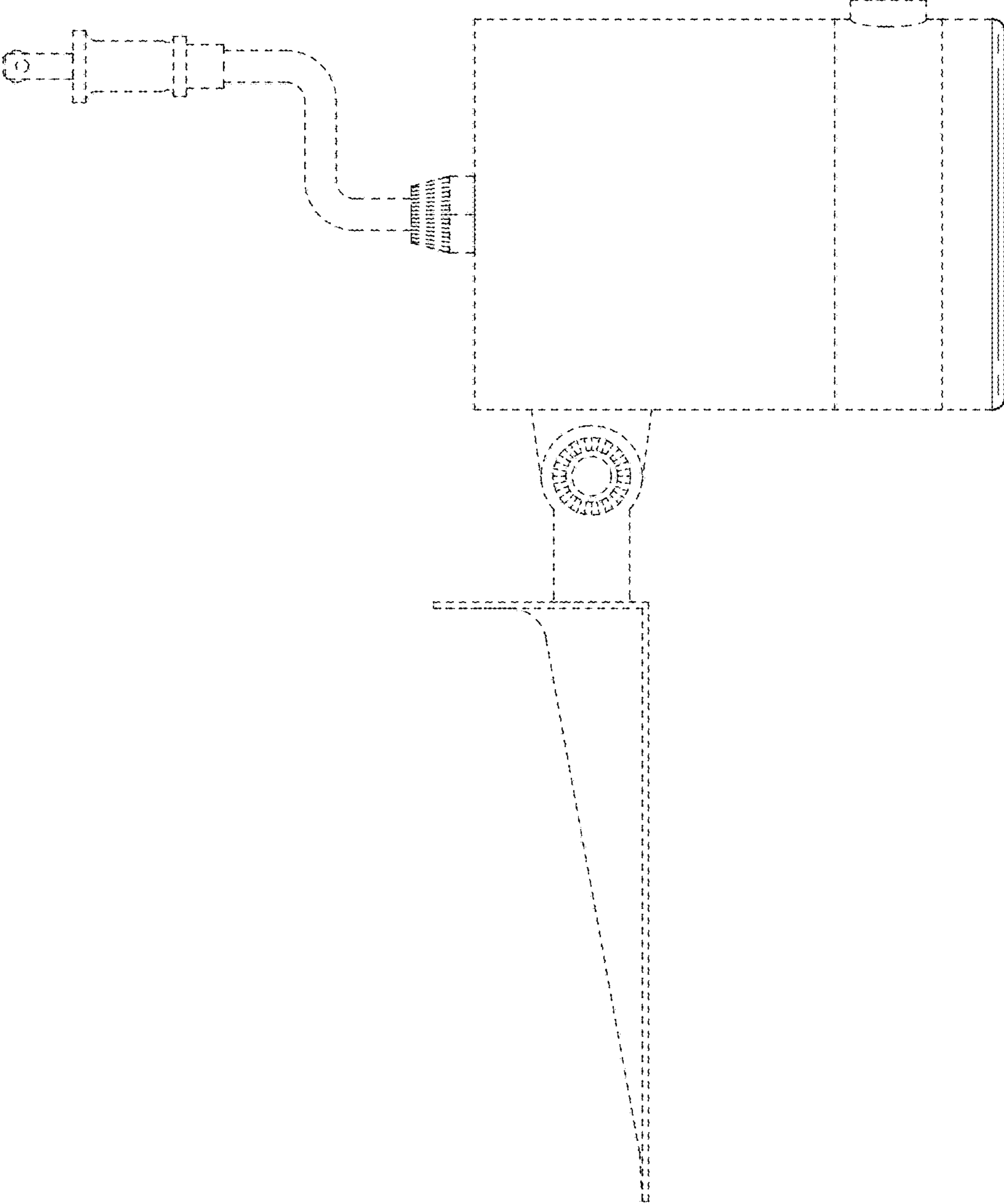


FIG. 6

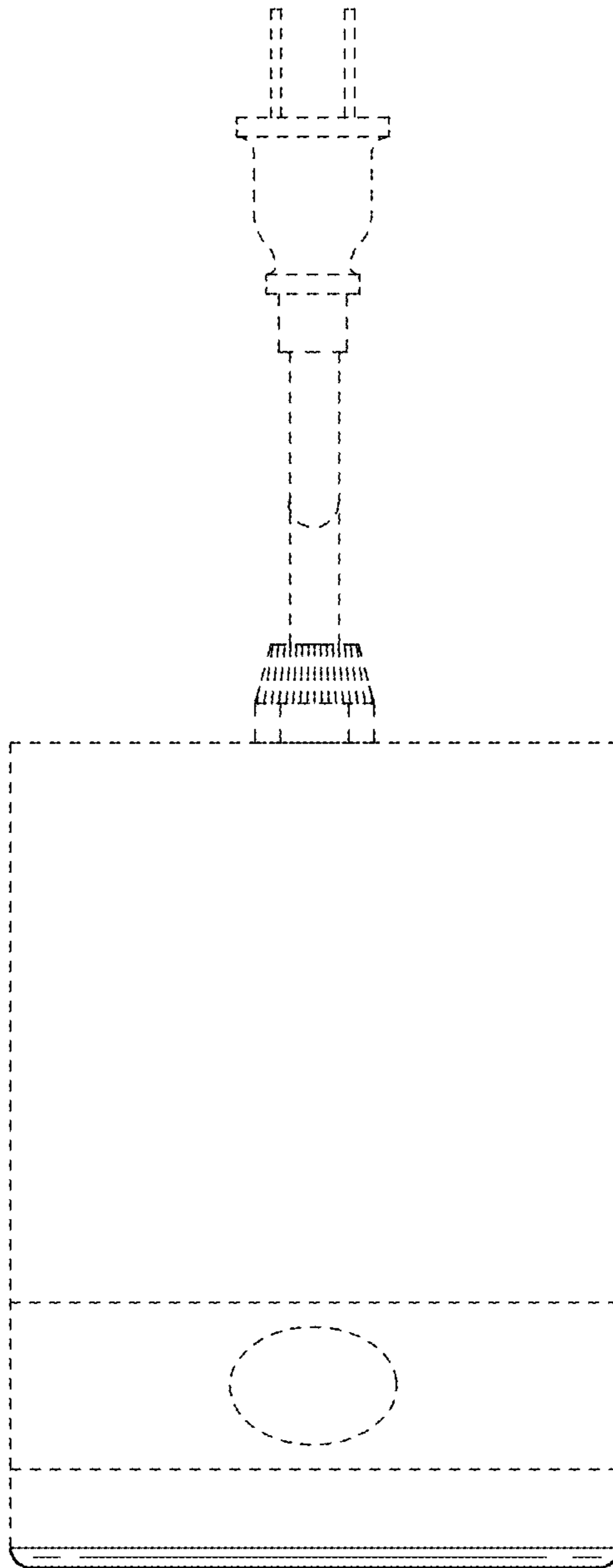


FIG. 7

